



US00D403539S

United States Patent [19] Hamami

[11] Patent Number: Des. 403,539

[45] Date of Patent: **Jan. 5, 1999

[54] **FRAME FOR AUDIO/VIDEO STORAGE UNIT**

[75] Inventor: **Demir Hamami**, Bethesda, Md.

[73] Assignee: **BDI, Inc.**, Chantilly, Va.

[**] Term: **14 Years**

[21] Appl. No.: **62,371**

[22] Filed: **Nov. 14, 1996**

Related U.S. Application Data

[62] Division of Ser. No. 52,634, Apr. 4, 1996, Pat. No. Des. 378,175.

[51] **LOC (6) Cl.** **06-06**

[52] **U.S. Cl.** **D6/491; D6/509**

[58] **Field of Search** D6/477-479, 473, D6/474, 467, 468, 484, 487, 482, 449, 491, 495, 509; 211/186, 135; 248/174; 108/184; 312/238, 223.1

[56] References Cited

U.S. PATENT DOCUMENTS

D. 271,646	12/1983	Thompson	D6/479
D. 294,787	3/1988	Berry, Jr.	D6/479 X
D. 300,701	4/1989	Jonker	D6/474
D. 325,137	4/1992	Porter	D6/479
D. 333,749	3/1993	Leonard	D6/467 X
D. 335,051	4/1993	Ossip	D6/479 X
D. 363,626	10/1995	Herbst	D6/479
D. 371,259	7/1996	Herbst	D6/479
D. 371,472	7/1996	Herbst	D6/479
D. 378,175	2/1997	Hamami	D6/479
3,648,627	3/1972	Schliemann et al.	211/186 X
4,056,897	11/1977	Pearce et al.	108/184 X
4,182,244	1/1980	Hutchins, Jr. et al.	248/174
4,961,506	10/1990	Lang	211/186 X
5,083,844	1/1992	Gruenberg et al.	312/238 X

OTHER PUBLICATIONS

Target D5A Component Rack, Home Theatre, May 1996, p. 74.

Bell'Ogetti B-708 Arco TV Stand, Home Theatre Buyer's Guide, Summer 1996, p. 122.

Nomi Designs, Contemporary Home Entertainment Furniture Brochure, Concerto Model.

Audio Magic Productions MS-4 rack, *Home Theatre*, May 1996, p. 64.

Atlantis Reference audio rack, *Home Theatre*, May 1996, p. 70.

Lovan Sovereign AVR video rack, *Home Theatre*, May 1996, p. 72.

Primary Examiner—Jeffrey Asch

Attorney, Agent, or Firm—Saidman DesignLaw Group

[57] CLAIM

The ornamental design for a frame for audio/video storage unit, as shown and described.

DESCRIPTION

FIG. 1 is a front view of the frame for audio/video storage unit showing my new design;

FIG. 2 is a rear view thereof;

FIG. 3 is a left side view thereof, the right side being a mirror image;

FIG. 4 is a front view of a second embodiment showing my new design;

FIG. 5 is a rear view thereof;

FIG. 6 is a left side view thereof, the right side being a mirror image;

FIG. 7 is a perspective view of a third embodiment of a frame for audio/video storage unit showing my new design;

FIG. 8 is a front view thereof;

FIG. 9 is a rear view thereof;

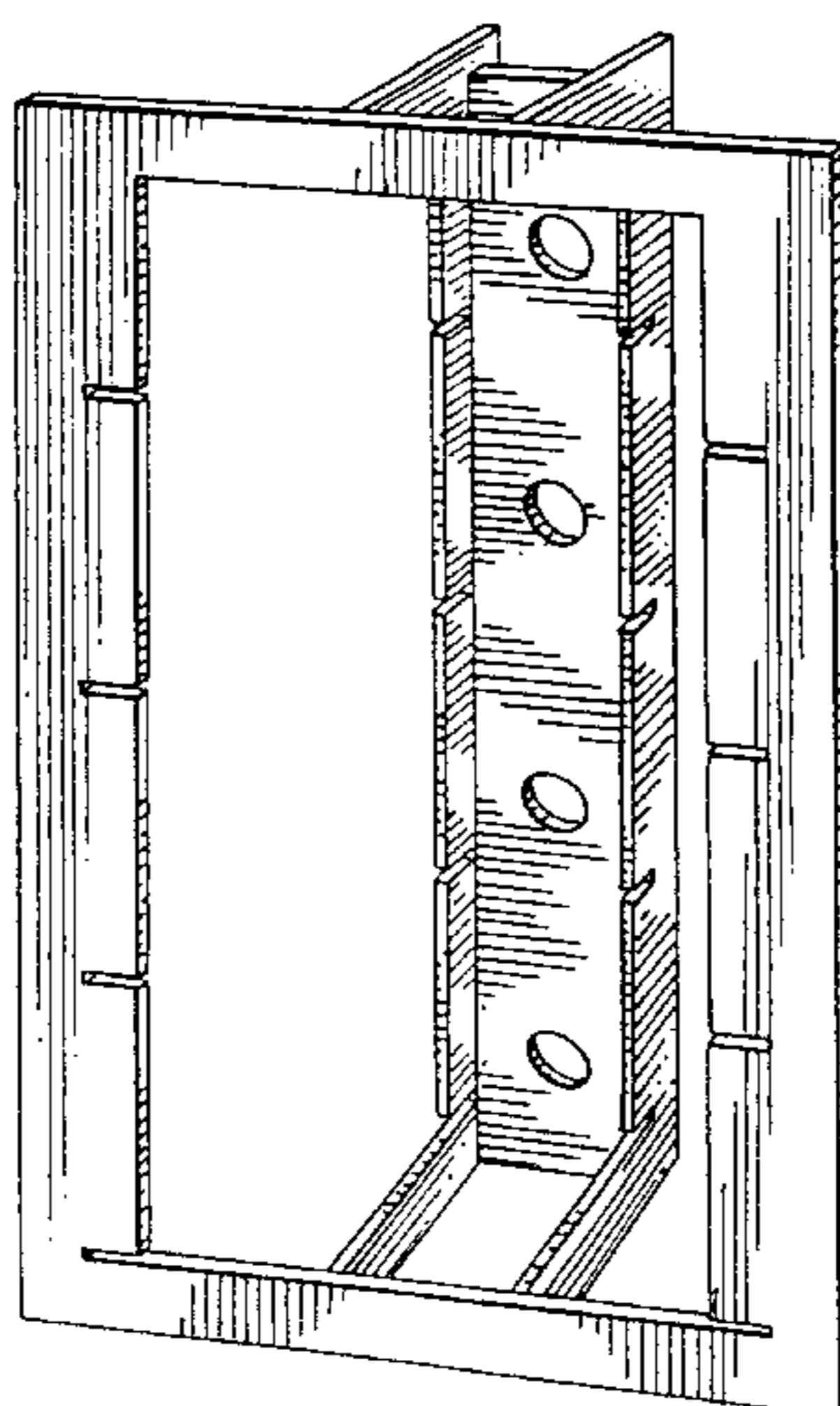
FIG. 10 is a left side view thereof; the right side being a mirror image;

FIG. 11 is a top view of the three embodiments of my design shown in FIGS. 1-10; and,

FIG. 12 is a bottom view of the three embodiments of my design shown in FIGS. 1-10.

The openings and flat surfaces depicted by the shading in FIG. 7 are consistent among the remaining figures and are not affected by variations in embodiments.

1 Claim, 8 Drawing Sheets



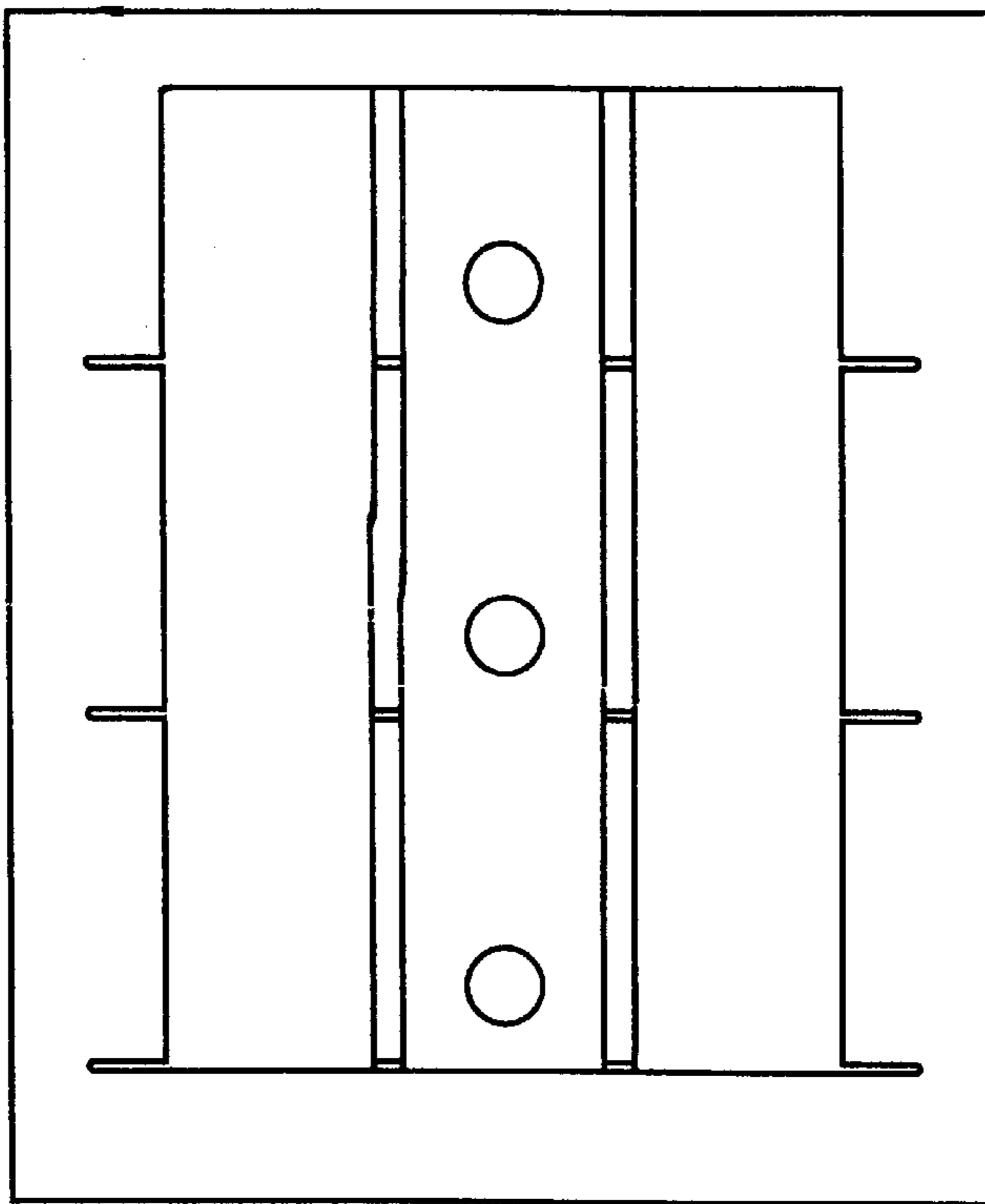


FIG. 1

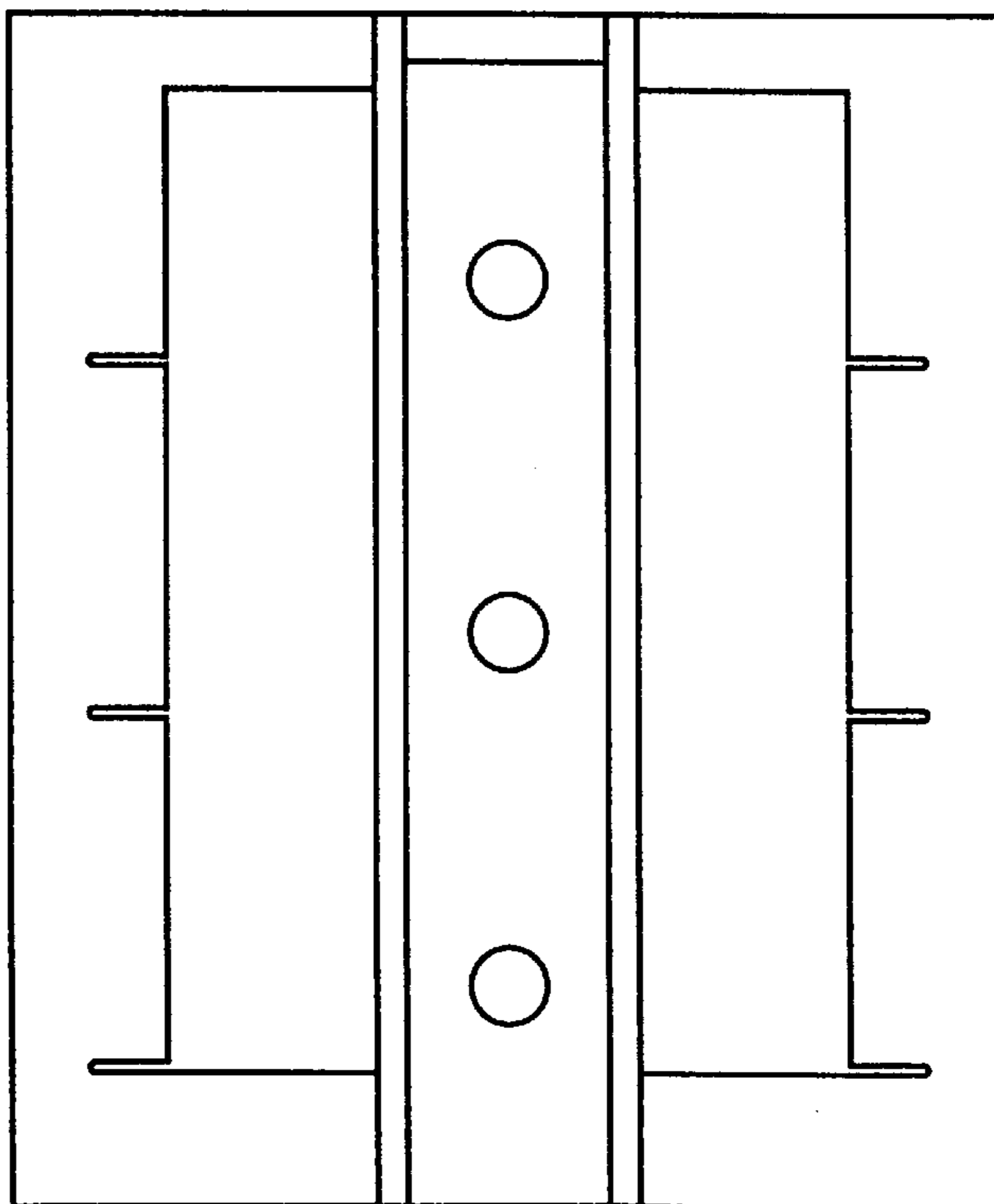


FIG. 2

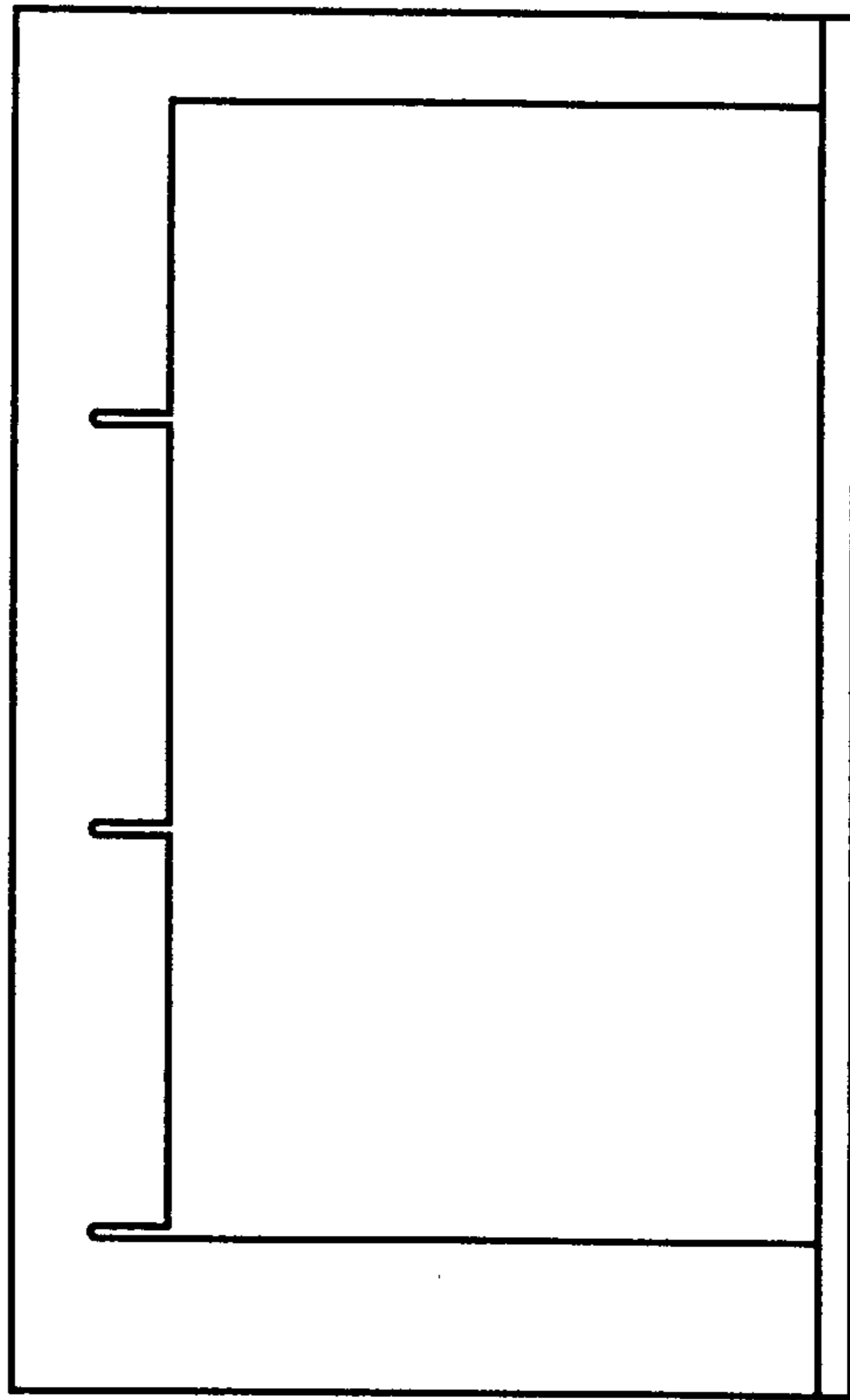


FIG. 3

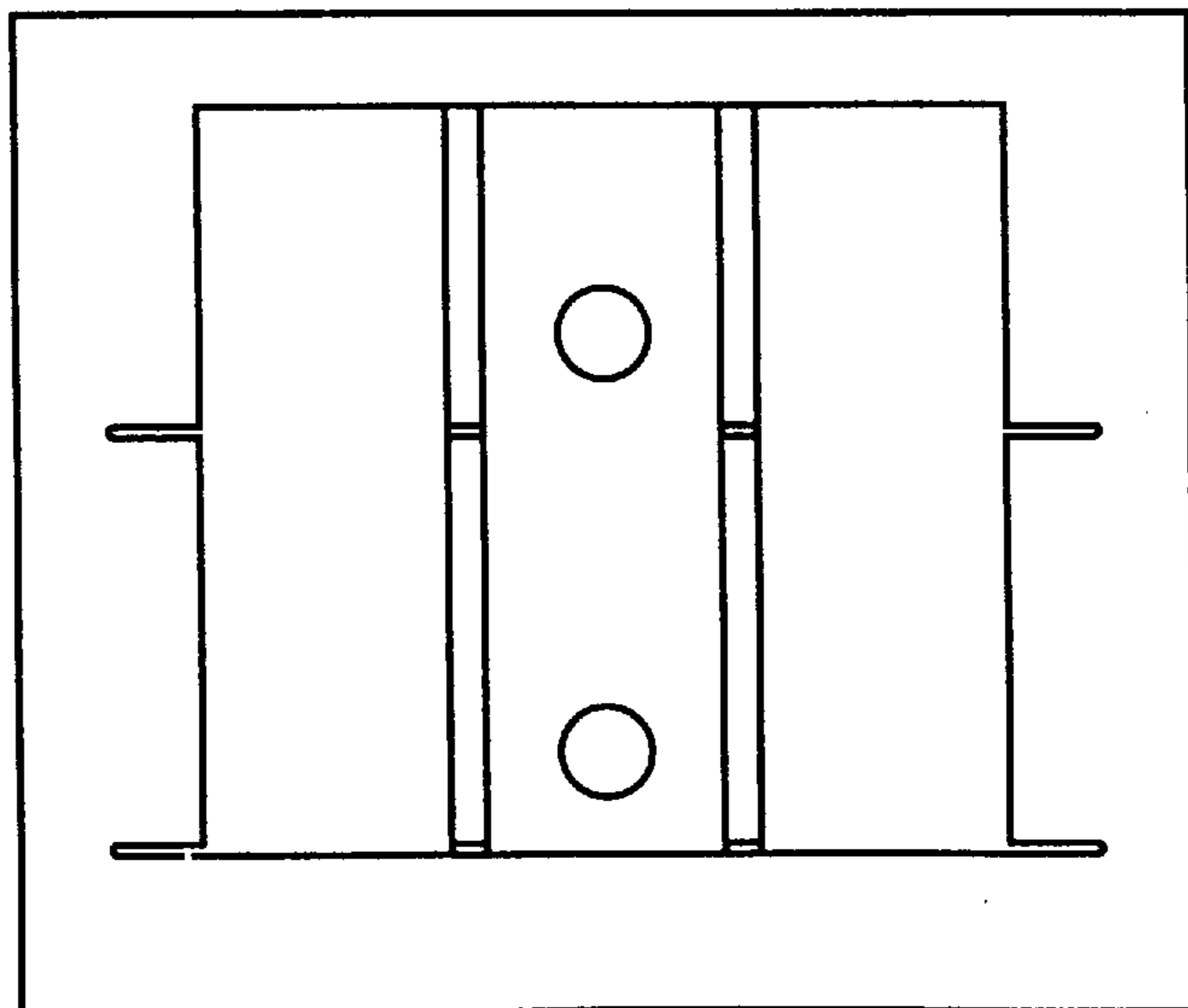


FIG. 4

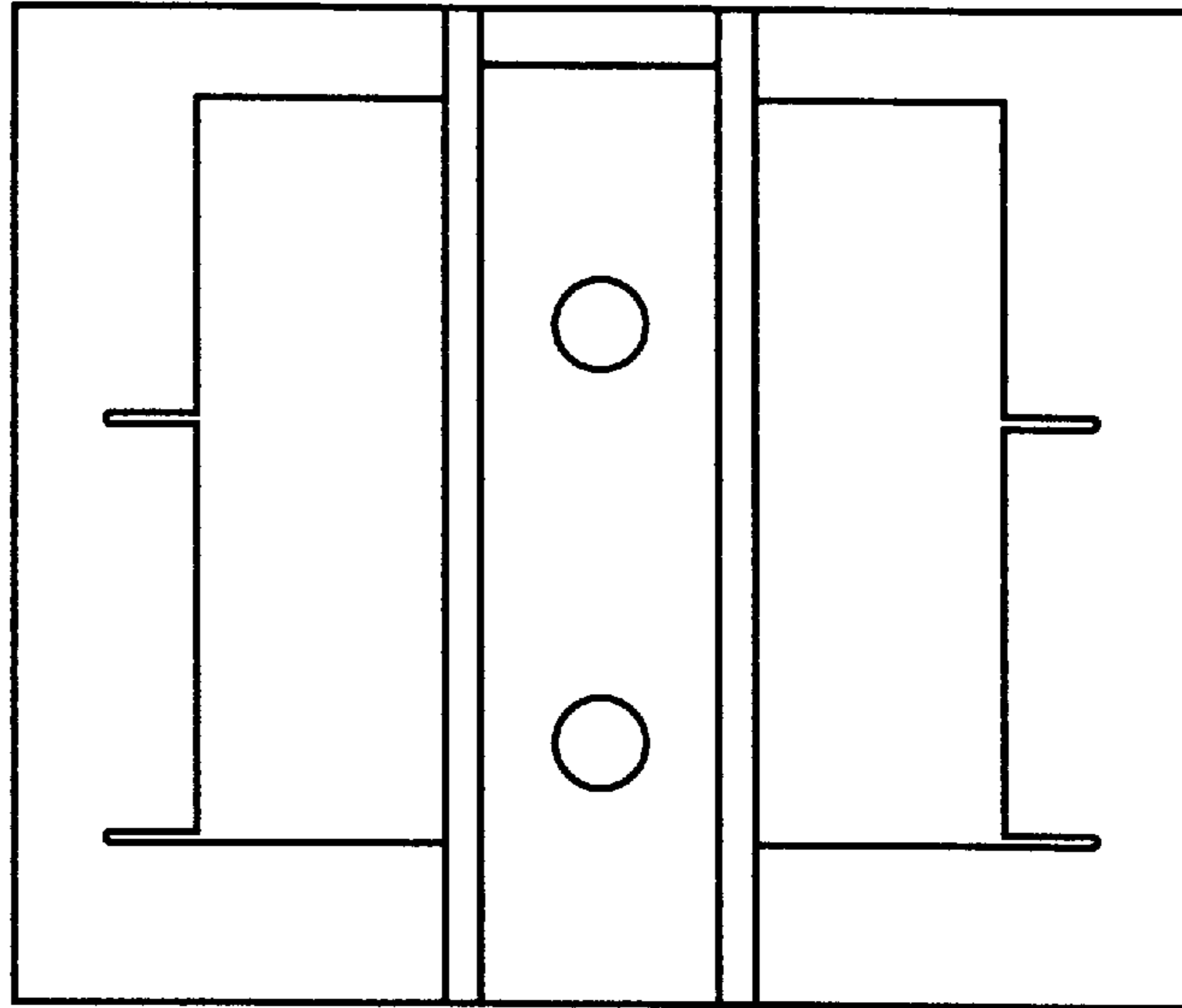


FIG. 5

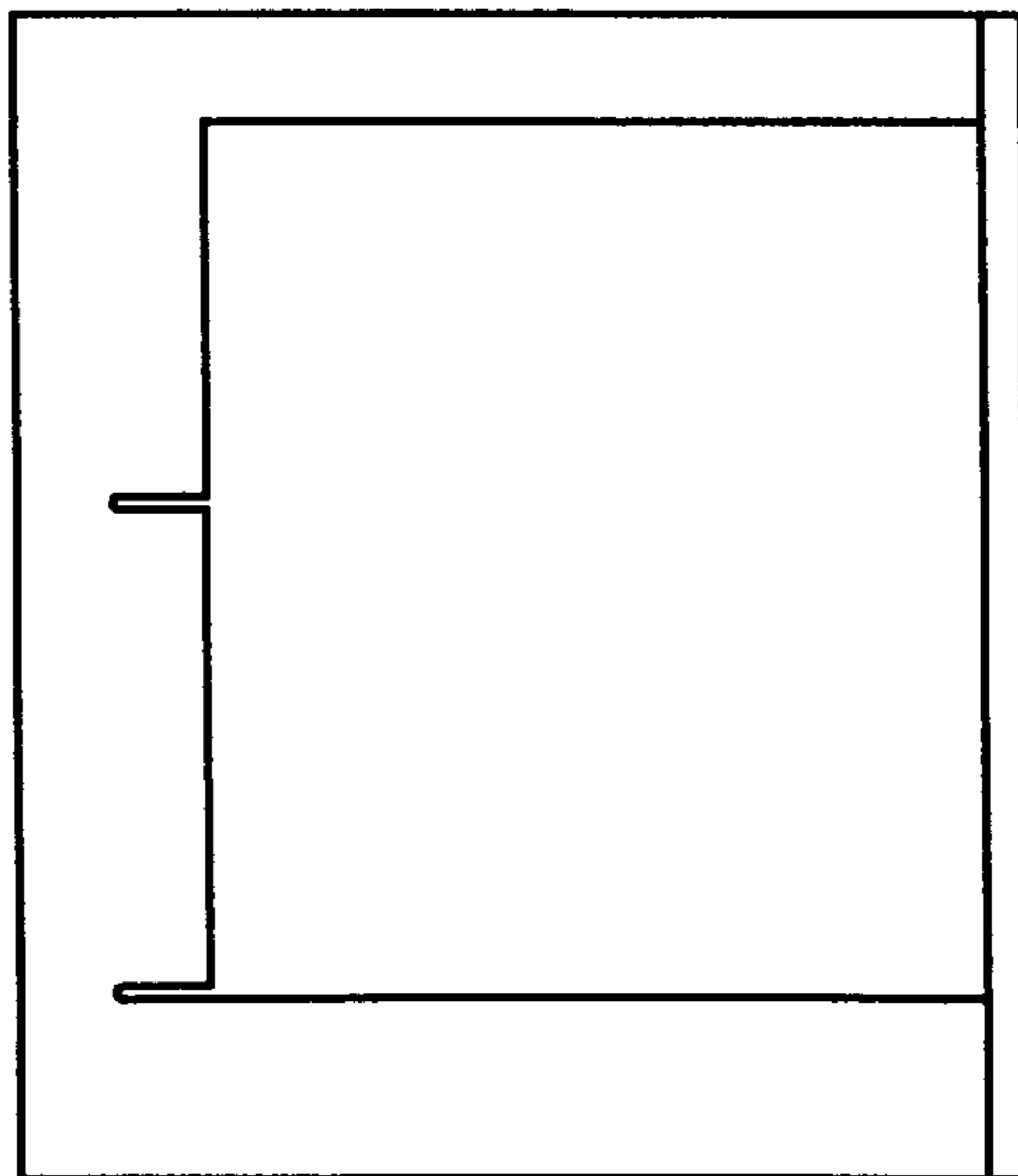


FIG. 6

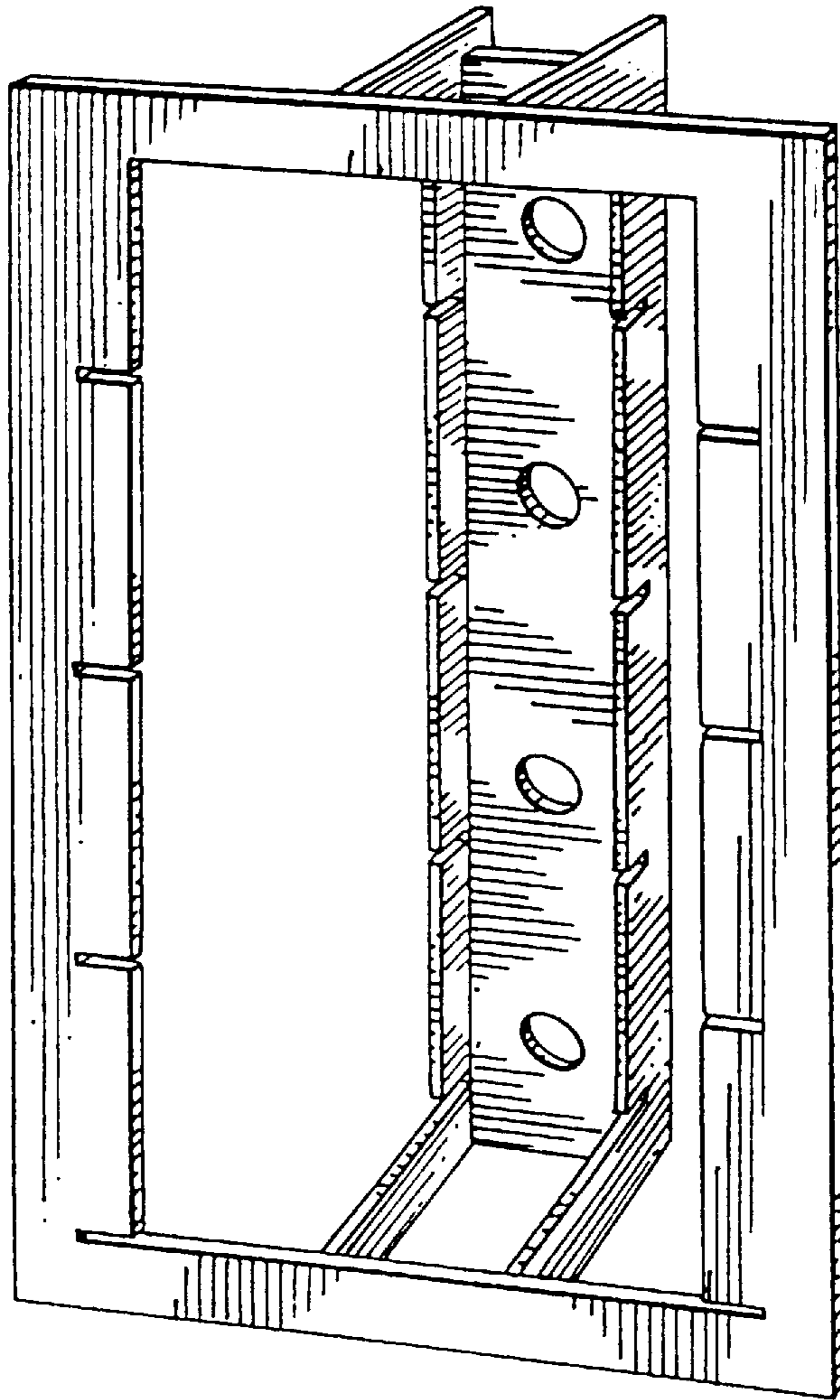


FIG. 7

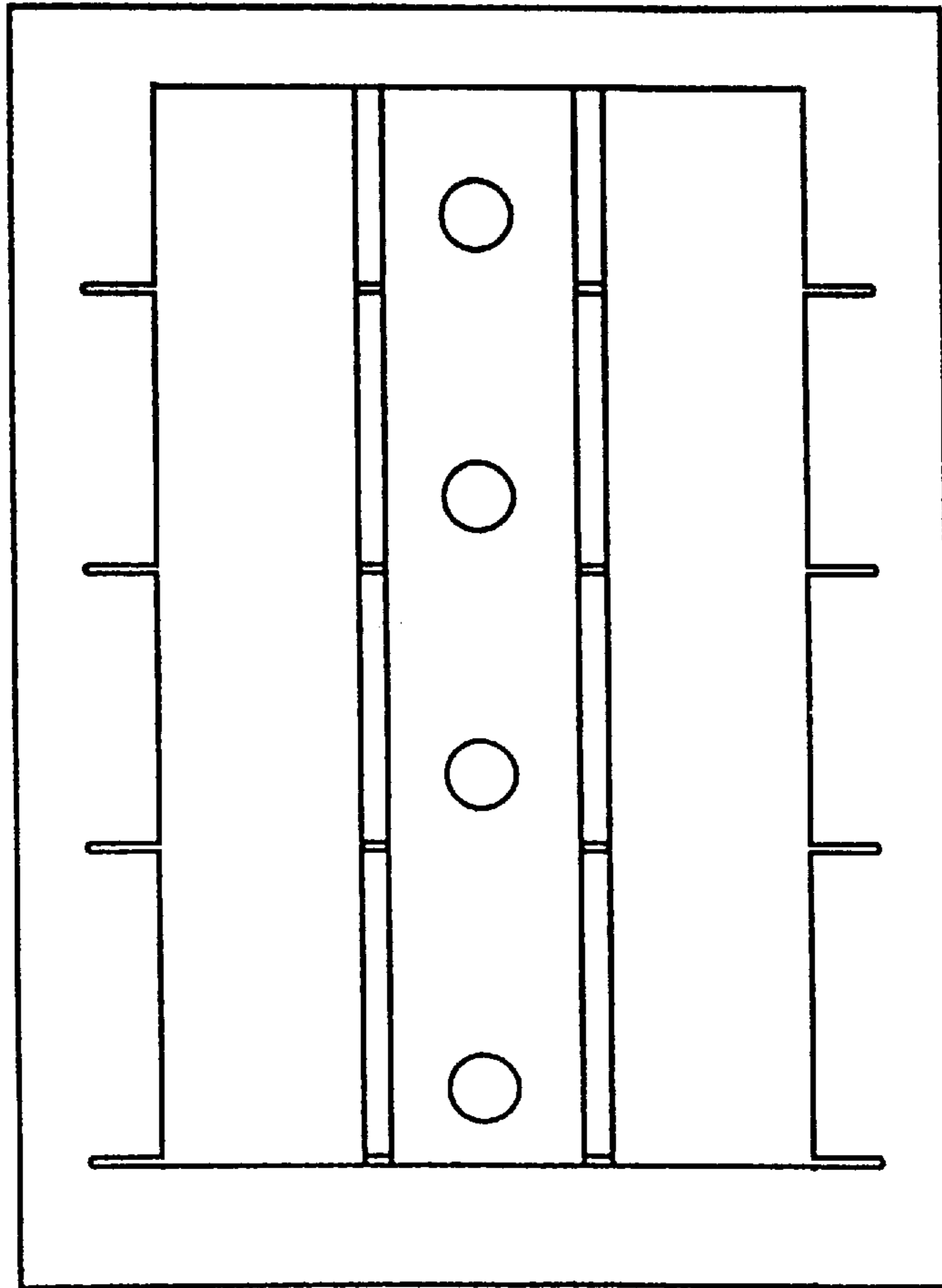


FIG. 8

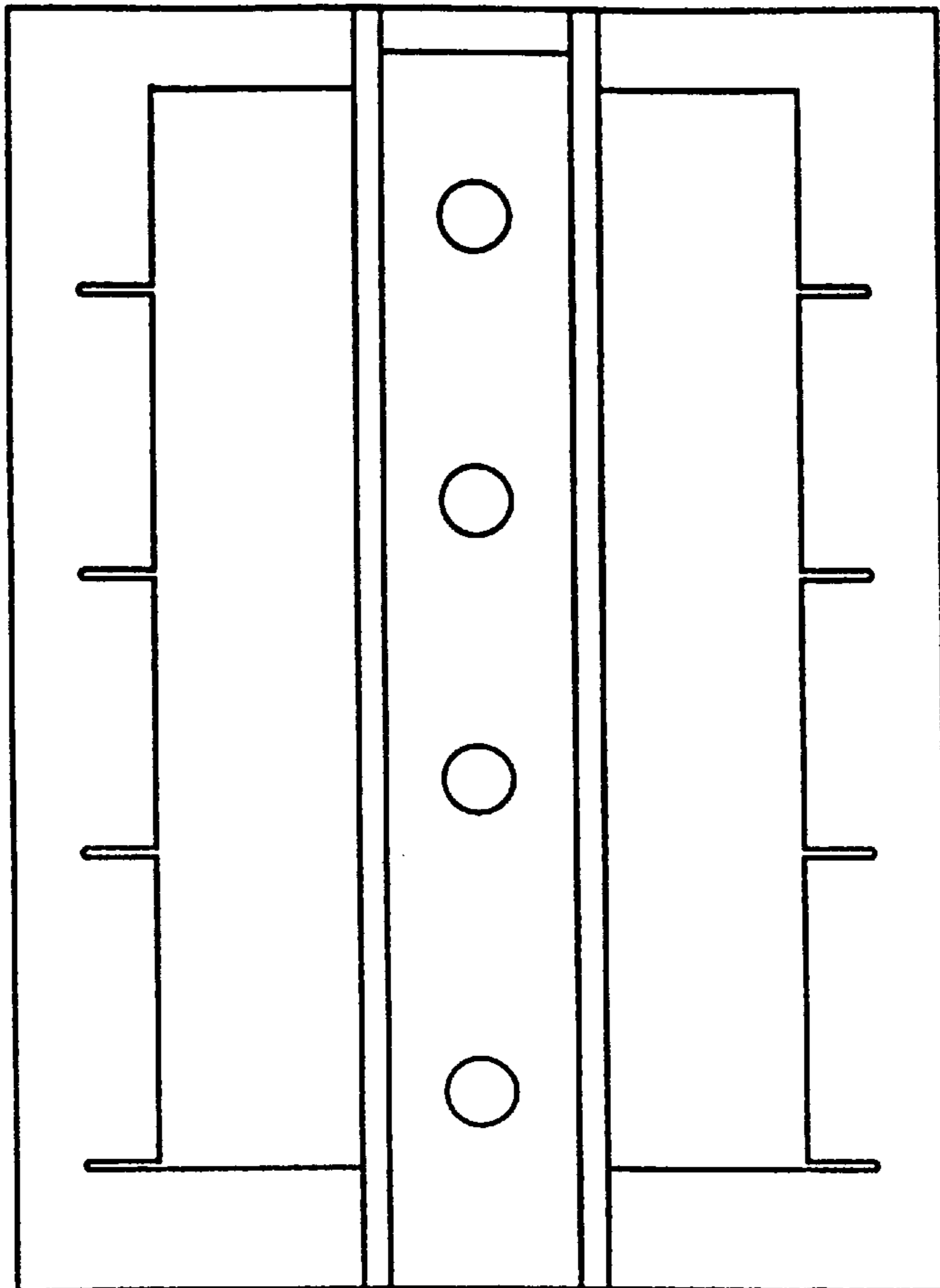


FIG. 9

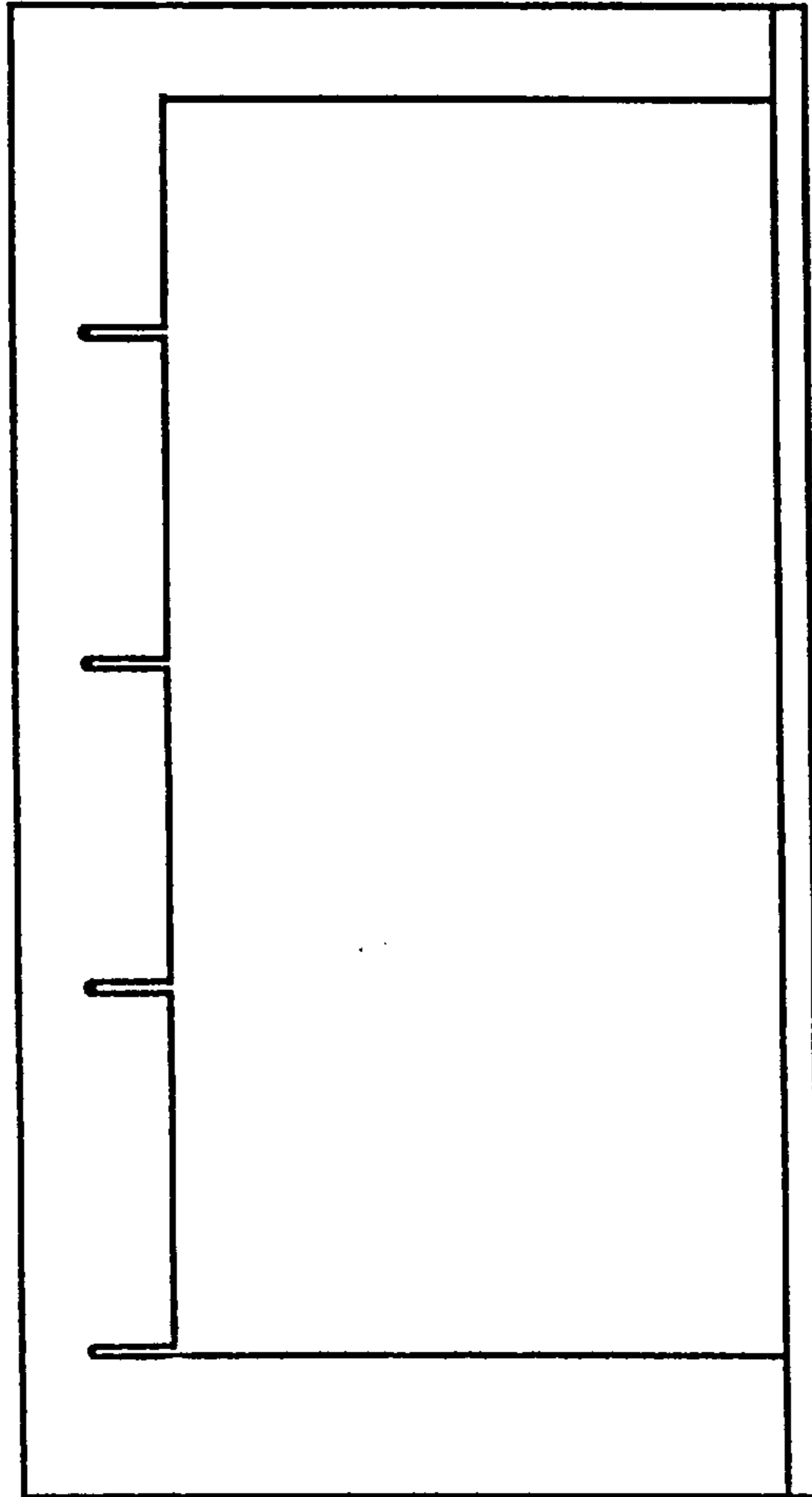


FIG. 10

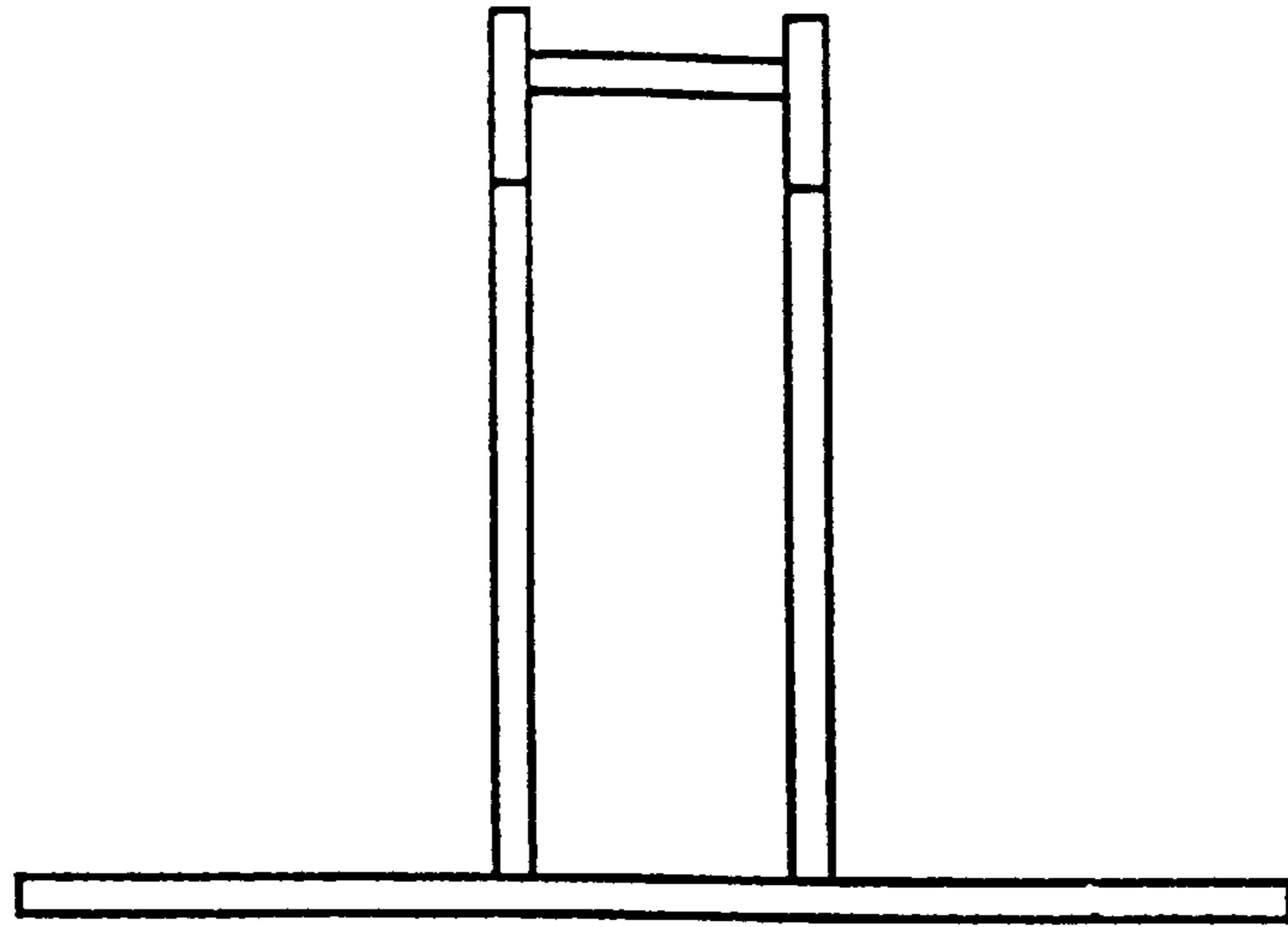


FIG. 11

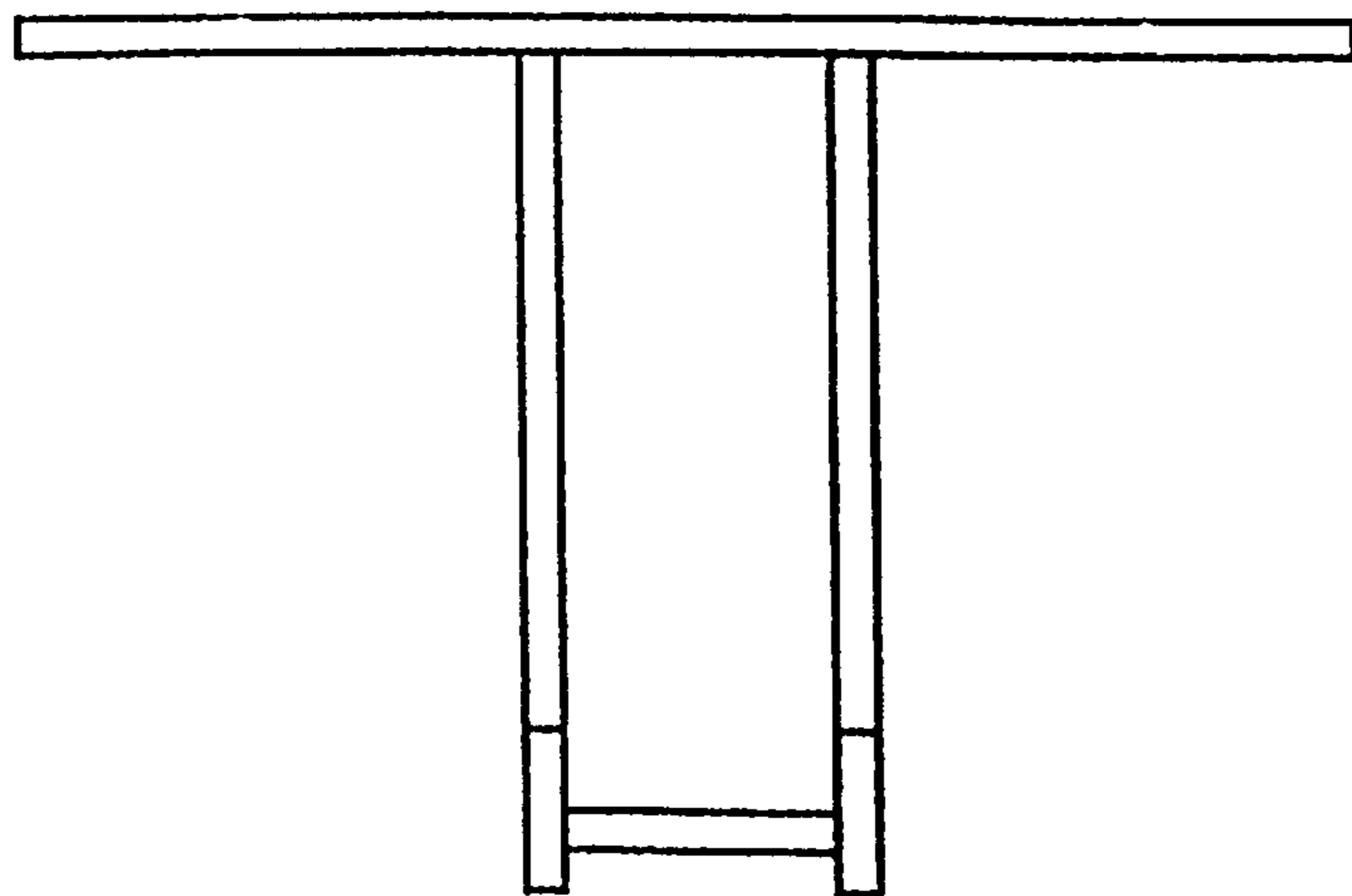


FIG. 12