

US00D403536S

United States Patent [19]
Olson et al.

[11] **Patent Number: Des. 403,536**
[45] **Date of Patent: **Jan. 5, 1999**

[54] **PRINTER STAND**

[75] Inventors: **Ogden R. Olson**, Muscatine, Iowa;
Mark Wubben, Sulfur Springs, Tex.;
Osama Abusada, Iowa City; **Clayton C. Schmidt**, Wilton, both of Iowa

[73] Assignee: **HON Technology Inc.**, Muscatine, Iowa

[**] Term: **14 Years**

[21] Appl. No.: **71,726**

[22] Filed: **Jun. 2, 1997**

[51] **LOC (6) Cl.** **06-04**

[52] **U.S. Cl.** **D6/479; D34/21**

[58] **Field of Search** **D6/477-479; D18/59;**
108/59, 91, 161; 211/135, 153, 186-190,
194, 50; **D34/21, 12, 17, 19, 20, 22; 280/47.34,**
47.35, 79.3; 312/223.1; 248/174, 176.1

[56] **References Cited**

U.S. PATENT DOCUMENTS

D. 221,086	7/1971	Fossella	D18/59
D. 285,134	8/1986	Schunter	D34/21
D. 305,710	1/1990	Ng et al.	D6/474
D. 307,084	4/1990	Currie	D18/59
D. 311,754	10/1990	Hassel et al.	D18/59 X

D. 329,251	9/1992	Olswold et al.	D18/59
D. 331,339	12/1992	Keong	D18/59 X
D. 334,310	3/1993	Keong	D18/59 X
D. 339,441	9/1993	Marchant et al.	D34/21
D. 371,879	7/1996	Linder	D34/21
D. 386,869	11/1997	Dormon et al.	D34/21
4,998,023	3/1991	Kitts	280/47.35

OTHER PUBLICATIONS

B.A. Pargh Office Supplies Catalog, Modular Printer Stand No. CT712, p. 421, 1985.

Primary Examiner—James Gandy
Assistant Examiner—Linda Brooks
Attorney, Agent, or Firm—Jones, Day, Reavis & Pogue

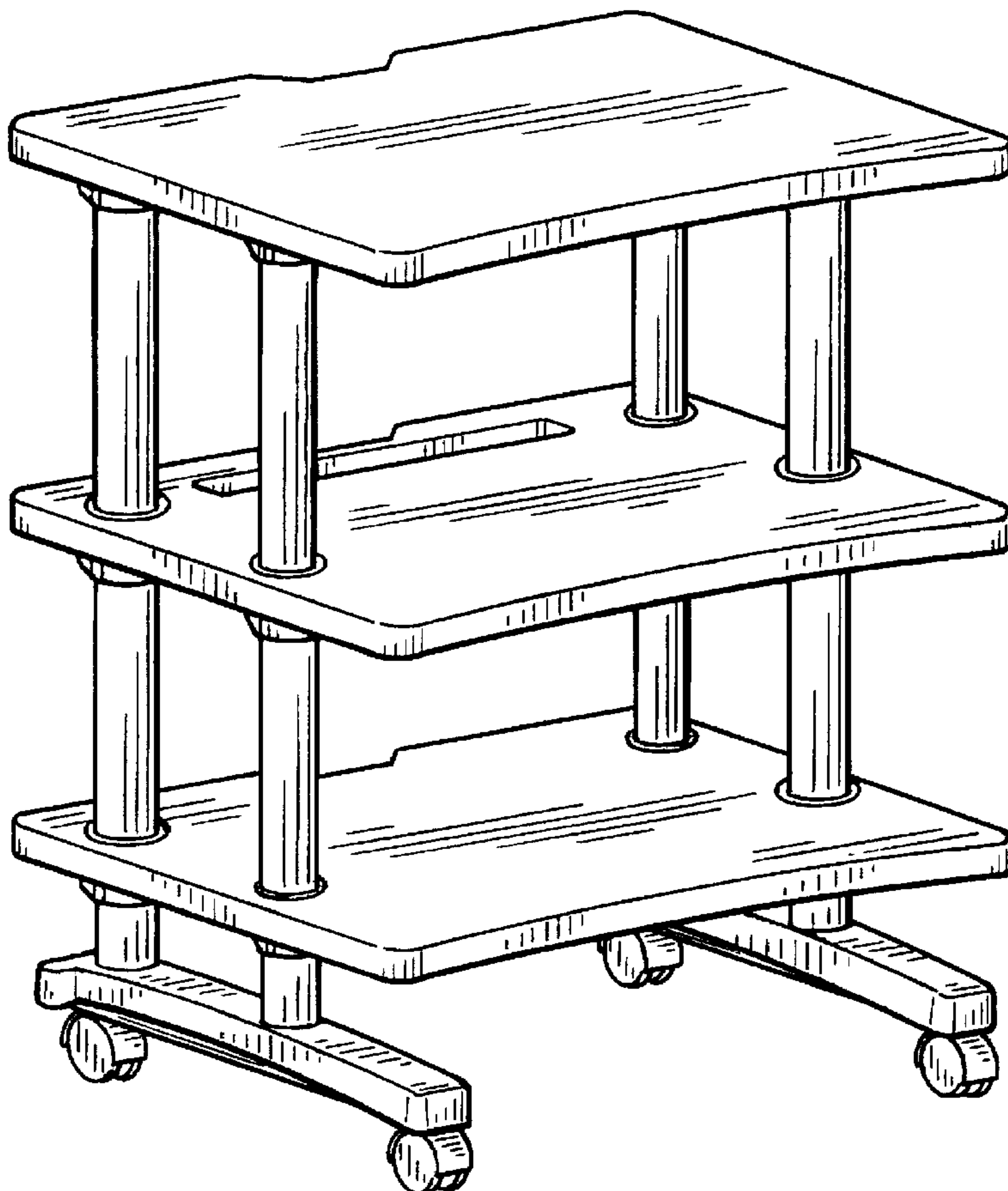
[57] **CLAIM**

The ornamental design for a printer stand, as shown and described.

DESCRIPTION

FIG. 1 is a left front perspective view of a printer stand showing our new design;
FIG. 2 is a top plan view thereof;
FIG. 3 is a front elevational view thereof;
FIG. 4 is a right side elevational view, the opposite side being a mirror image thereof; and,
FIG. 5 is a rear elevational view thereof.

1 Claim, 3 Drawing Sheets



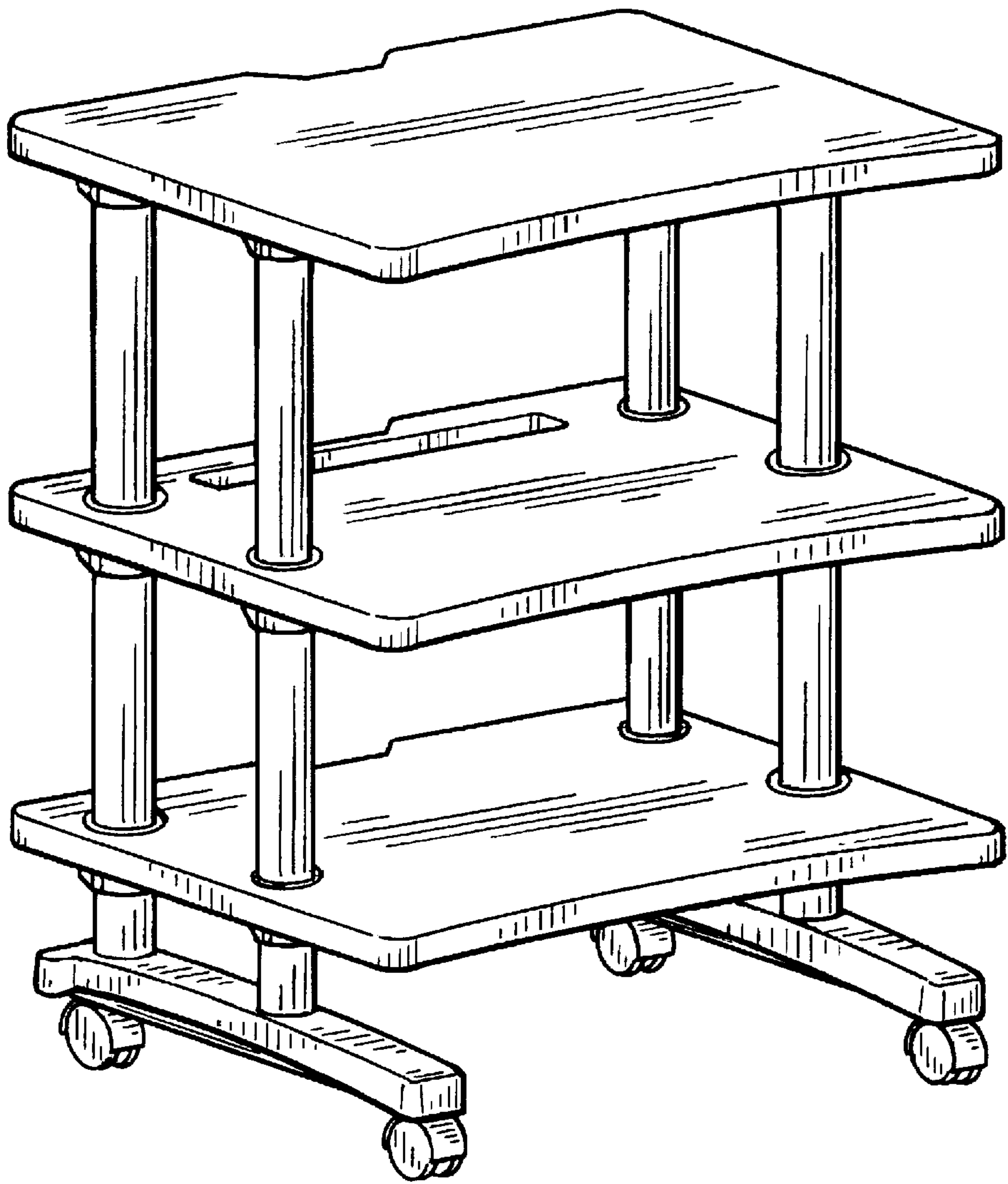


FIG. 1



FIG. 2

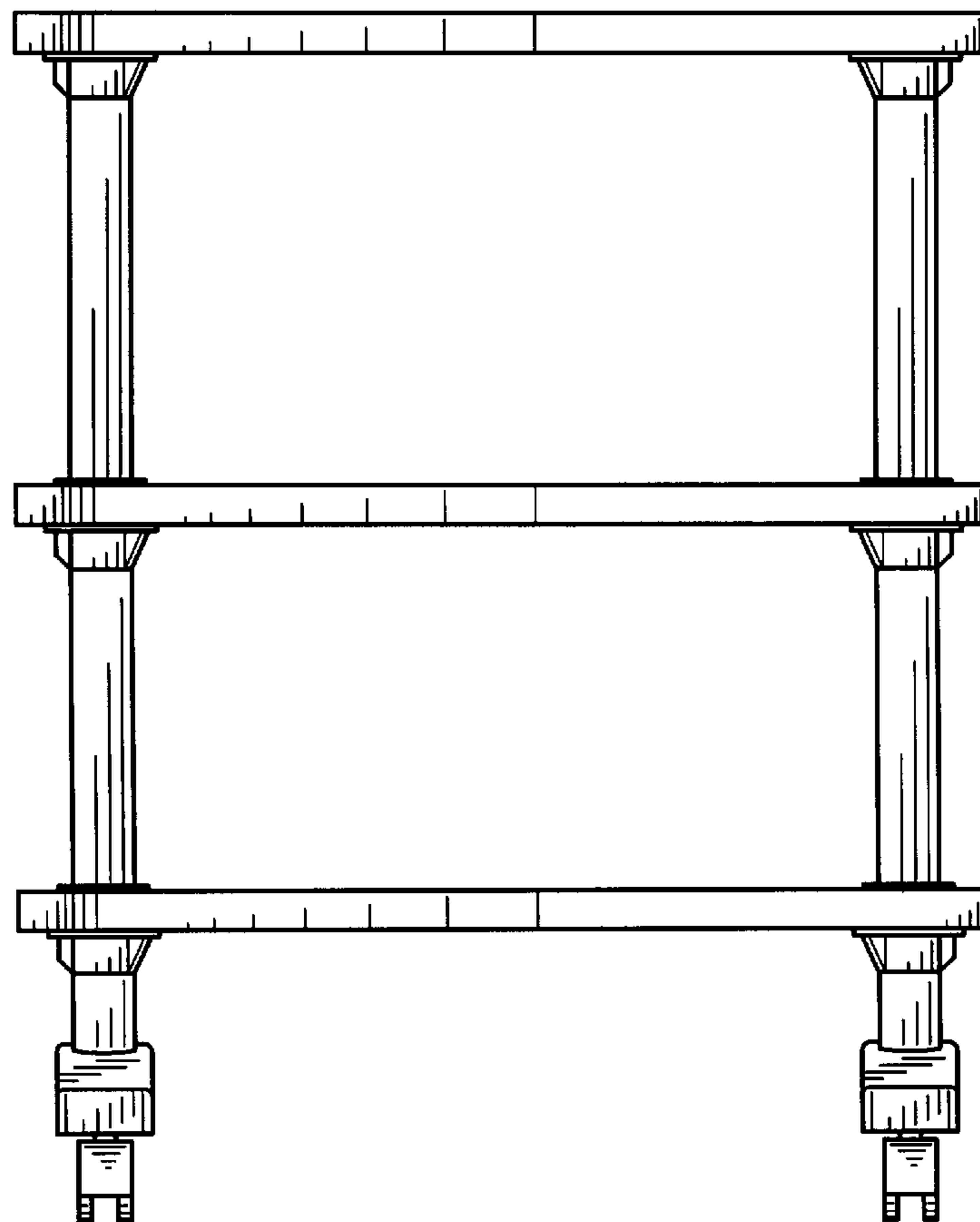


FIG. 3

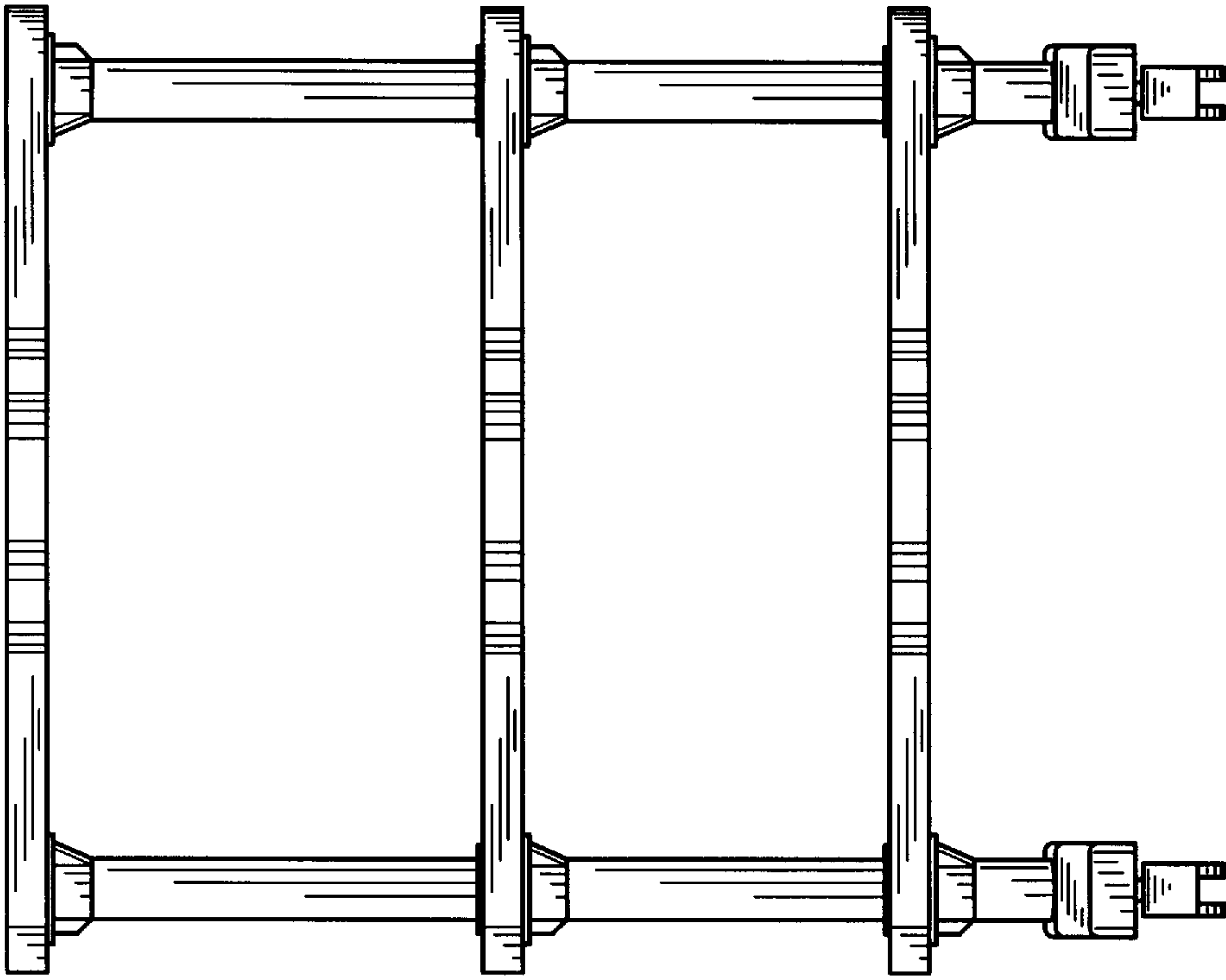


FIG. 5

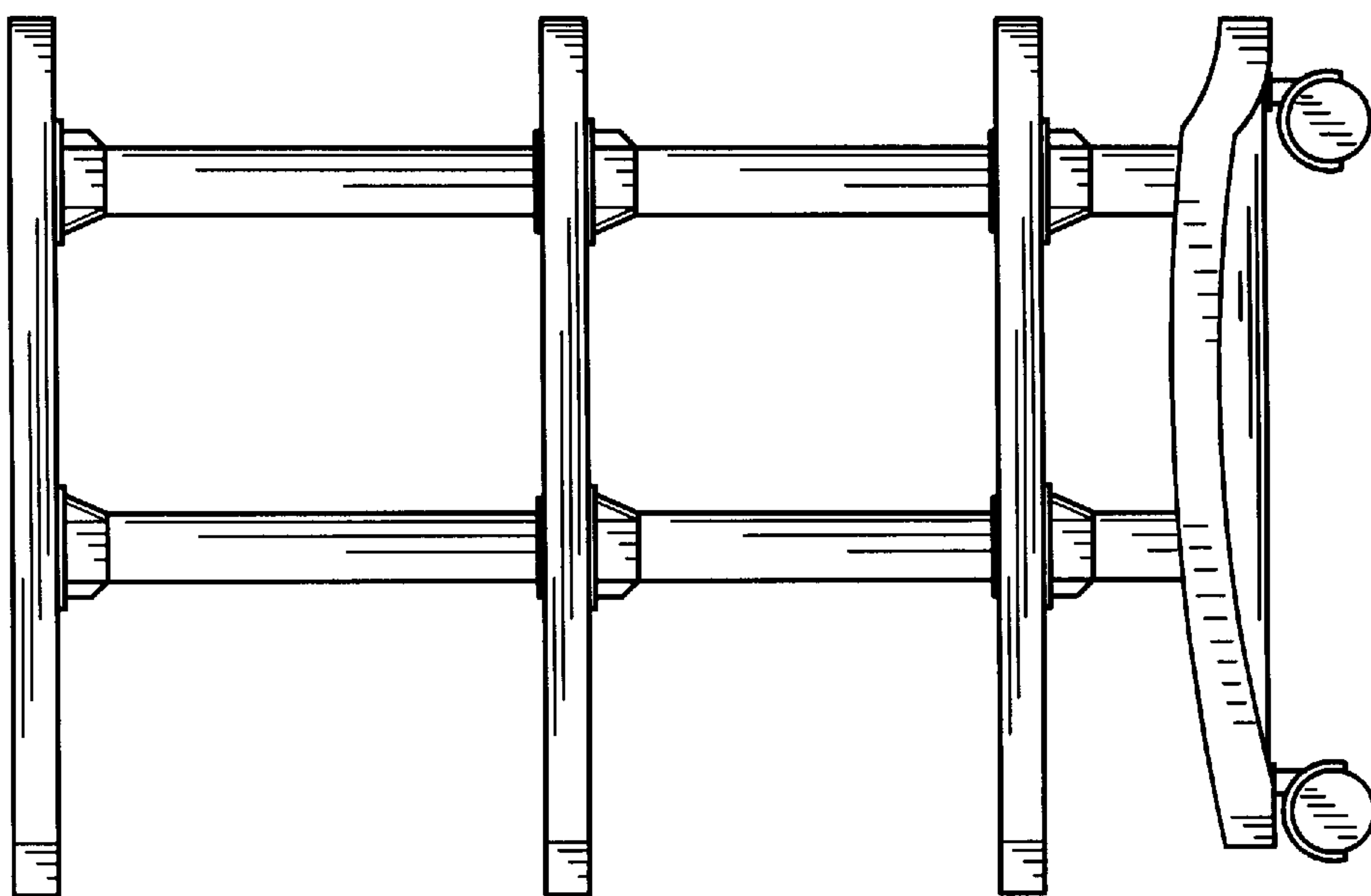


FIG. 4