



US00D403534S

United States Patent [19]

Gregory et al.

[11] Patent Number: **Des. 403,534**

[45] Date of Patent: ****Jan. 5, 1999**

[54] **LIGHTED DISPLAY CABINET**

[76] Inventors: **Kevin B. Gregory; Lisa J. Carl Gregory**, both of 1959-A Main Ave., Conshohocken, Pa. 19428

[**] Term: **14 Years**

[21] Appl. No.: **71,040**

[22] Filed: **May 19, 1997**

[51] **LOC (6) Cl.** **06-04**

[52] **U.S. Cl.** **D6/470; D6/559**

[58] **Field of Search** D6/300, 310, 470, D6/471, 477-479, 472, 432, 436, 407, 466-468, 559; 312/114, 107, 117, 126-130, 9.1, 9.64, 242; D9/341, 415, 432, 418; 211/41.11, 41.12, 41.14; D11/131, 132, 145, 152-154; 40/743, 746, 748, 771; 220/500, 502, 523; 206/769-772, 45.31, 45.24, 566, 561, 563

[56] **References Cited**

U.S. PATENT DOCUMENTS

- D. 158,951 6/1950 Gass D6/599
- D. 167,862 9/1952 Schladermundt et al. D6/470

- D. 291,849 9/1987 Yates D6/471
- D. 316,346 4/1991 Jackson et al. D6/300 X
- D. 366,796 2/1996 Crowley D6/559
- 386,383 7/1888 Connable 206/561 X
- 809,592 1/1906 Watts, Jr. 312/242
- 3,093,918 6/1963 Krakauer et al. 40/540
- 3,168,192 2/1965 Nicholson et al. 206/45.24

FOREIGN PATENT DOCUMENTS

- 370521 4/1932 United Kingdom 206/45.31

Primary Examiner—James Gandy
Assistant Examiner—Linda Brooks
Attorney, Agent, or Firm—Joseph W. Molasky & Associates

[57] **CLAIM**

The ornamental design for a lighted display cabinet, as shown and described.

DESCRIPTION

FIG. 1 is a perspective view of our new design showing the lighted display cabinet in its operable position; FIG. 2 is an enlarged top view thereof; FIG. 3 is a bottom view of FIG. 2; FIG. 4 is a side elevational view of FIG. 2; FIG. 5 is a side elevation view of the opposing side; FIG. 6 is a front elevational view of FIG. 2; and, FIG. 7 is a rear elevational view of FIG. 2.

1 Claim, 3 Drawing Sheets

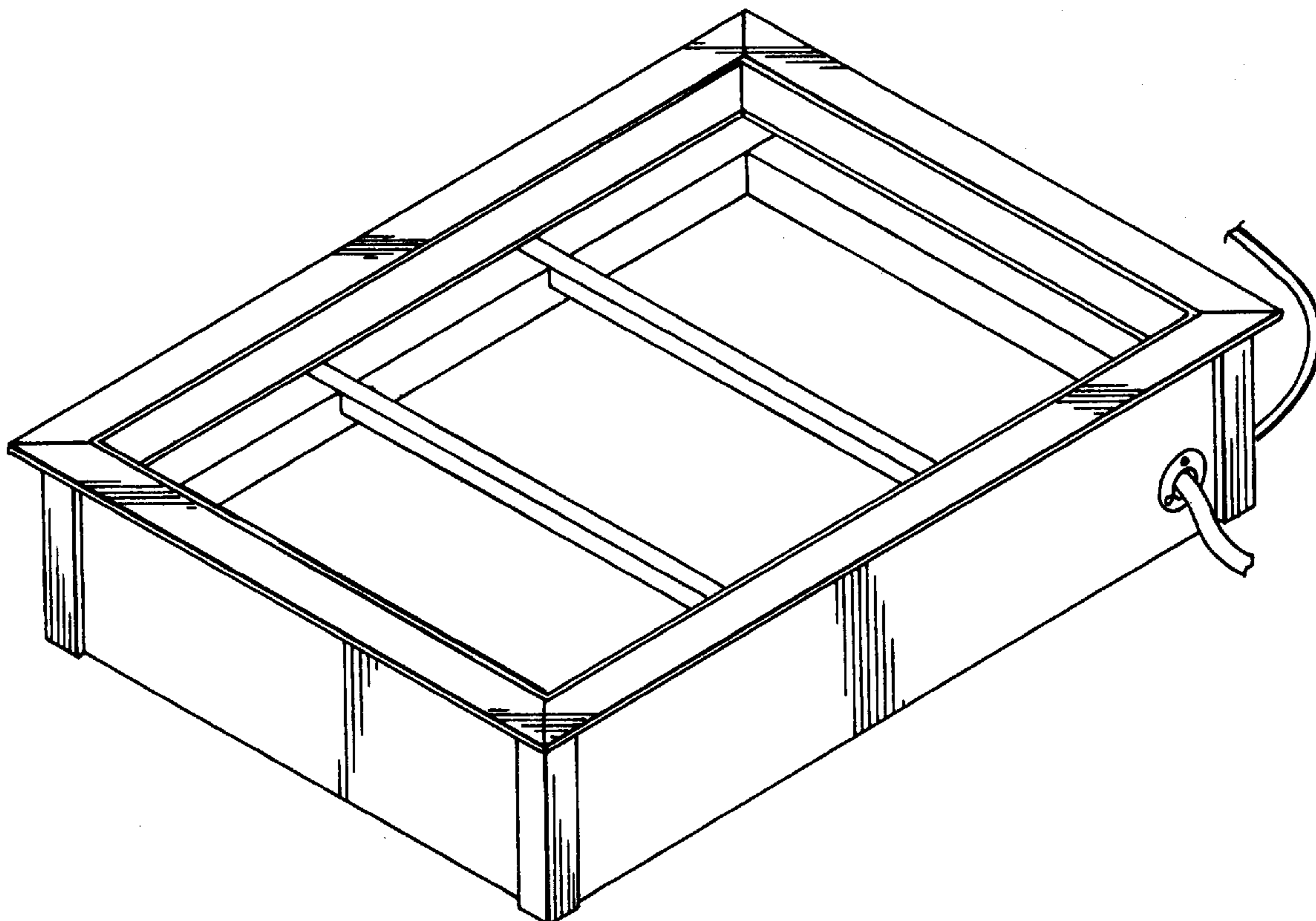


FIG. 1

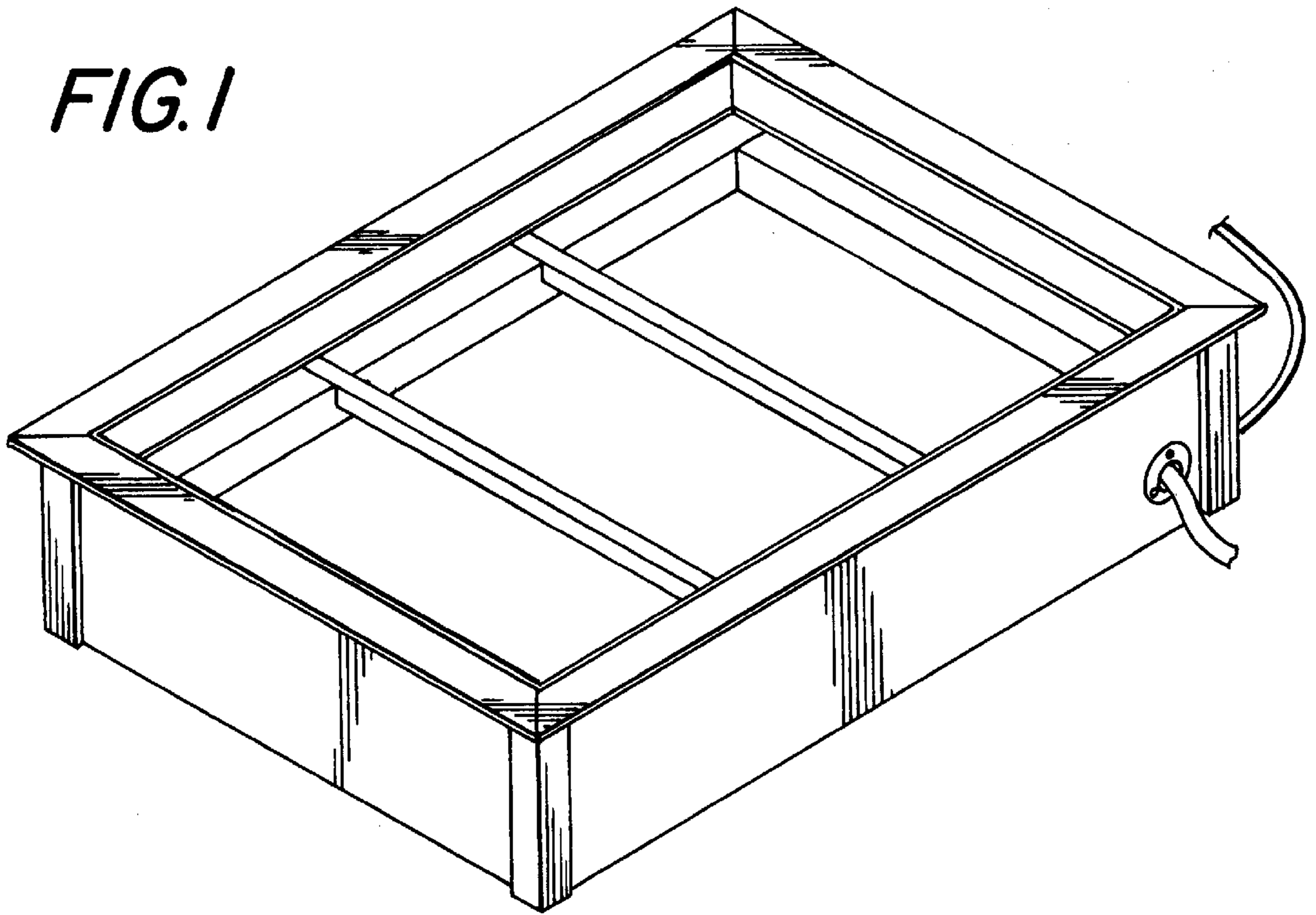


FIG. 2

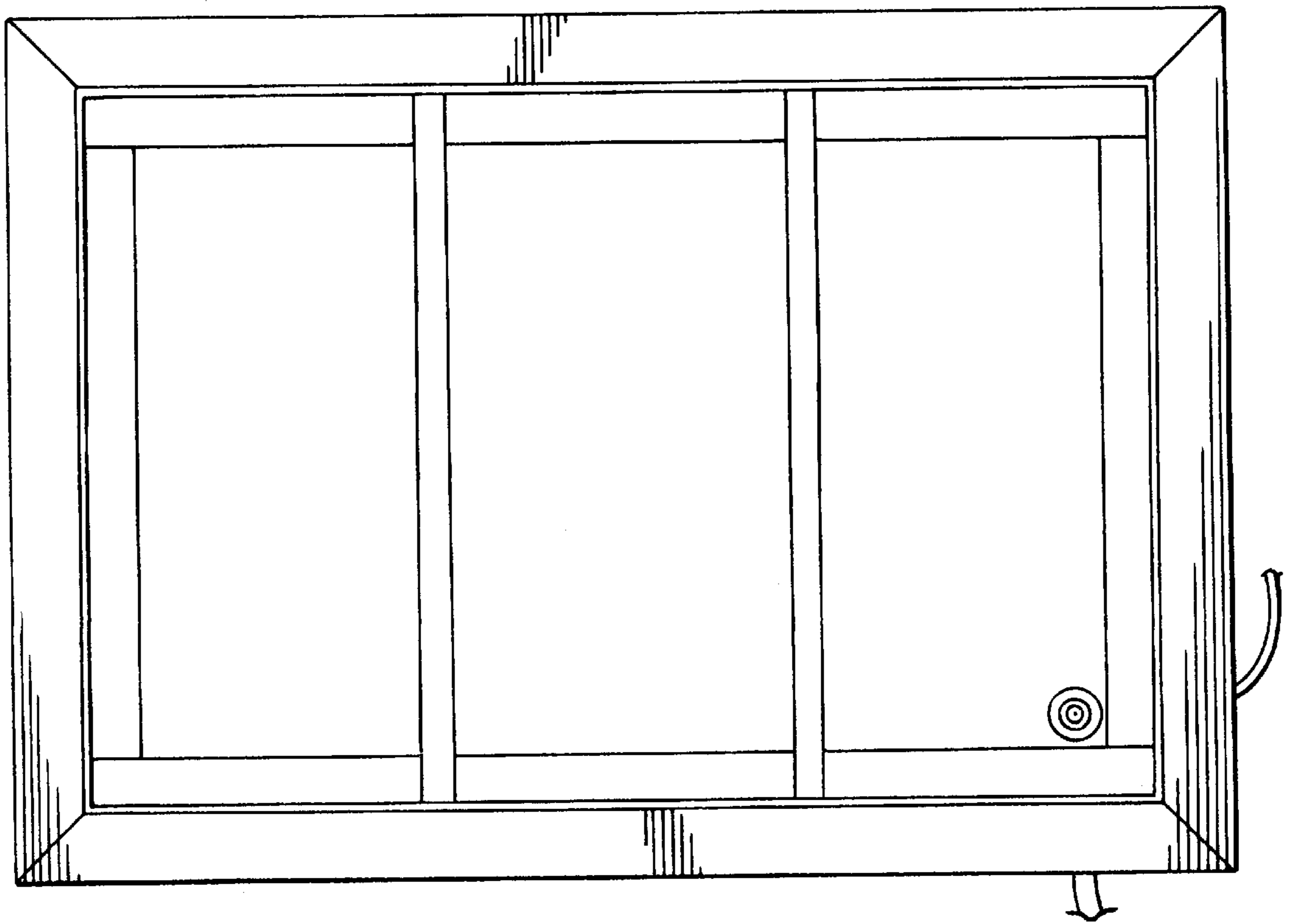


FIG. 3

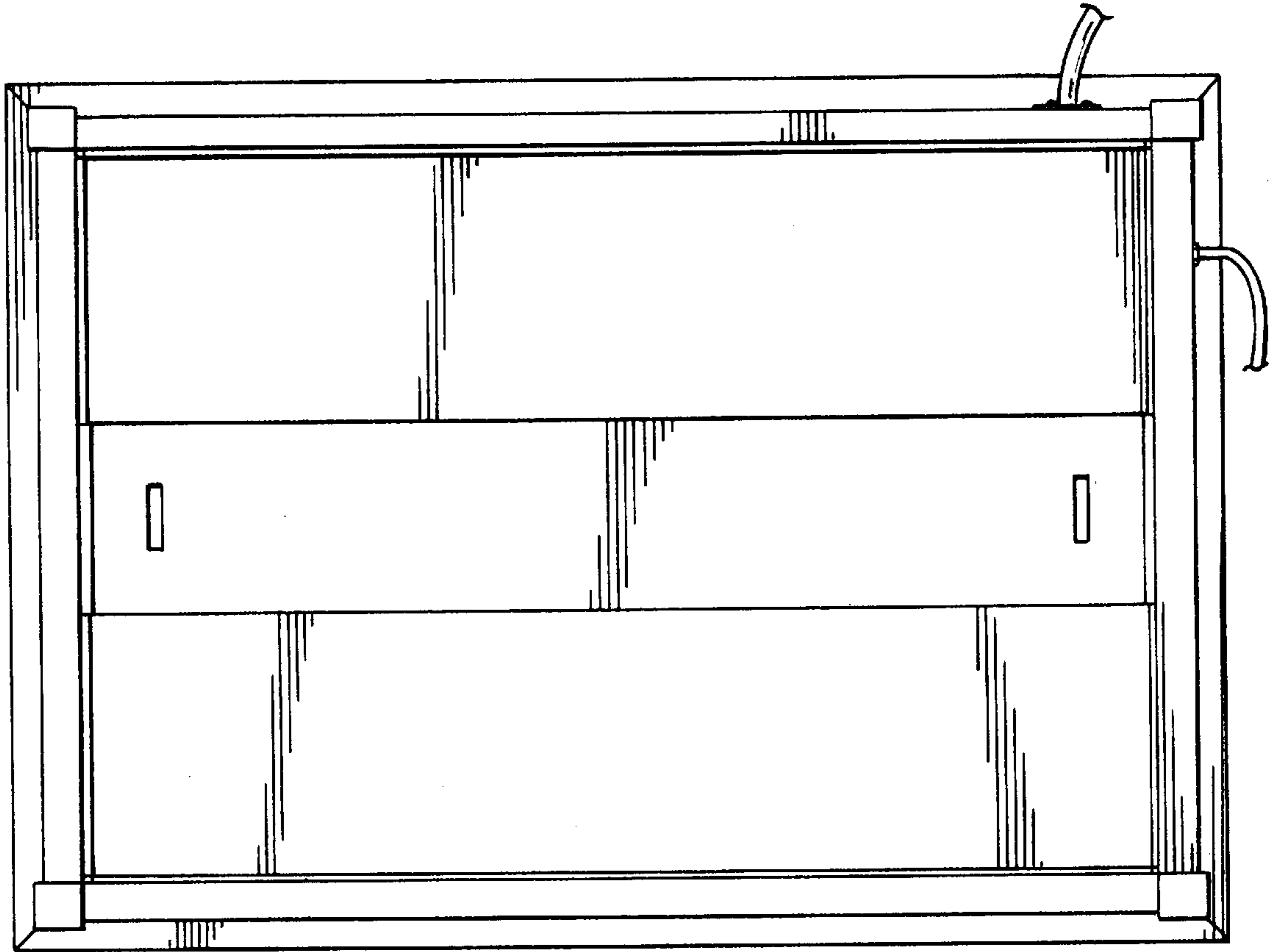


FIG. 4

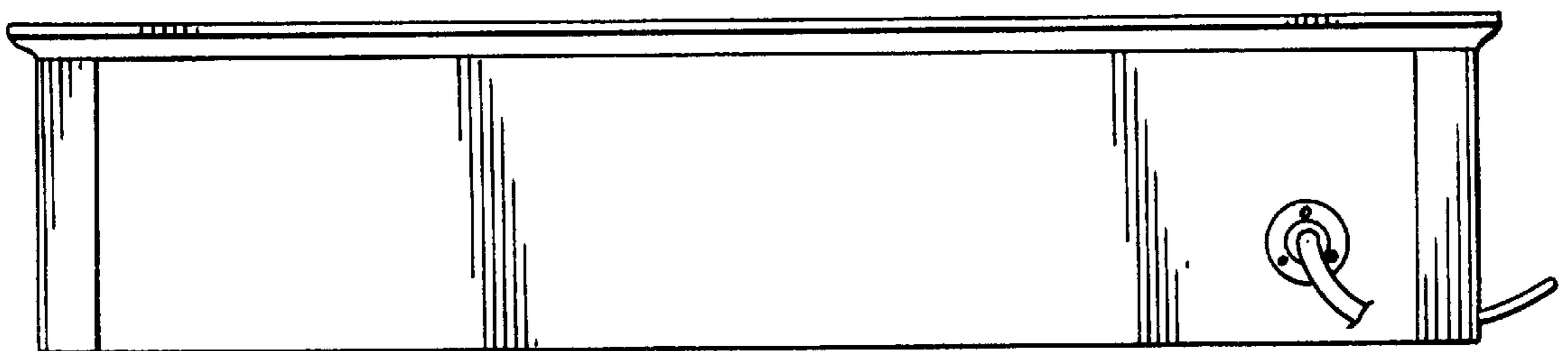


FIG. 5

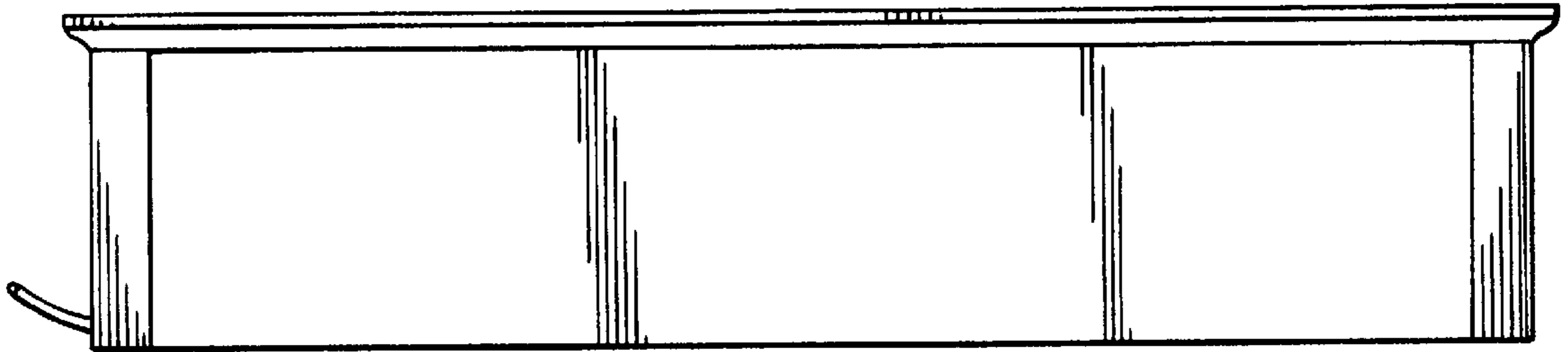


FIG. 6

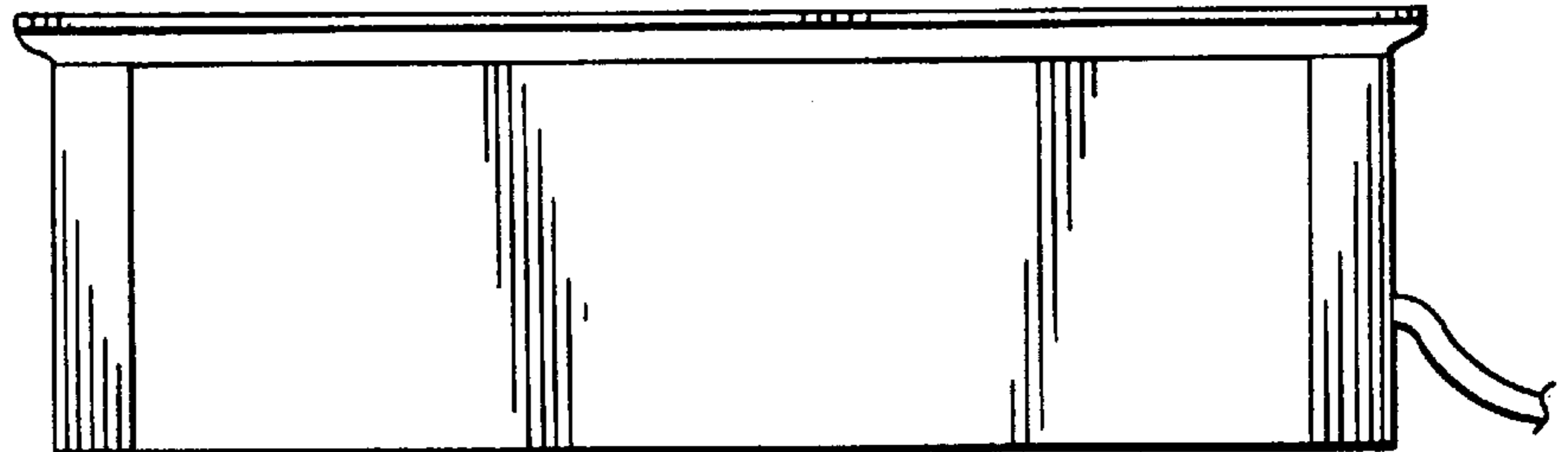


FIG. 7

