



US00D403533S

United States Patent [19]
Paul

[11] **Patent Number: Des. 403,533**

[45] **Date of Patent: **Jan. 5, 1999**

[54] **MOBILE DISPLAY STAND**

[76] Inventor: **Nesta I. Paul**, 1540 E. Altadena Dr.,
Altadena, Calif. 91001

[**] Term: **14 Years**

[21] Appl. No.: **82,082**

[22] Filed: **Jan. 14, 1998**

[51] **LOC (6) Cl. 06-04**

[52] **U.S. Cl. D6/458**

[58] **Field of Search** D6/455, 457, 458,
D6/460-469, 403, 405; 211/1, 13.1, 85.4,
85.8, 107, 112, 133.2, 133.5, 182, 181.1;
D34/21; 47/39; 248/27.8, 121, 127, 128,
129, 146, 153, 174, 175; 280/47.35, 79.3,
79.5

[56] **References Cited**

U.S. PATENT DOCUMENTS

D. 166,528 4/1952 Cole D6/458

D. 204,718 5/1966 Marchetti D6/458
D. 244,571 6/1977 Cowan, Jr. D6/405
D. 302,889 8/1989 Goodwin D34/21
D. 345,871 4/1994 Anderson D6/458 X

Primary Examiner—James Gandy
Assistant Examiner—Linda Brooks
Attorney, Agent, or Firm—George J. Netter

[57] **CLAIM**

The ornamental design for a mobile display stand, as shown and described.

DESCRIPTION

FIG. 1 is a front and side perspective view of a mobile display stand showing my new design, it being understood that the circular supports and brackets not completely depicted follow the contours and configuration of those fully disclosed herein and in FIGS. 2 and 3 ;
FIG. 2 is a top plan view; and,
FIG. 3 is a bottom plan view.

1 Claim, 1 Drawing Sheet

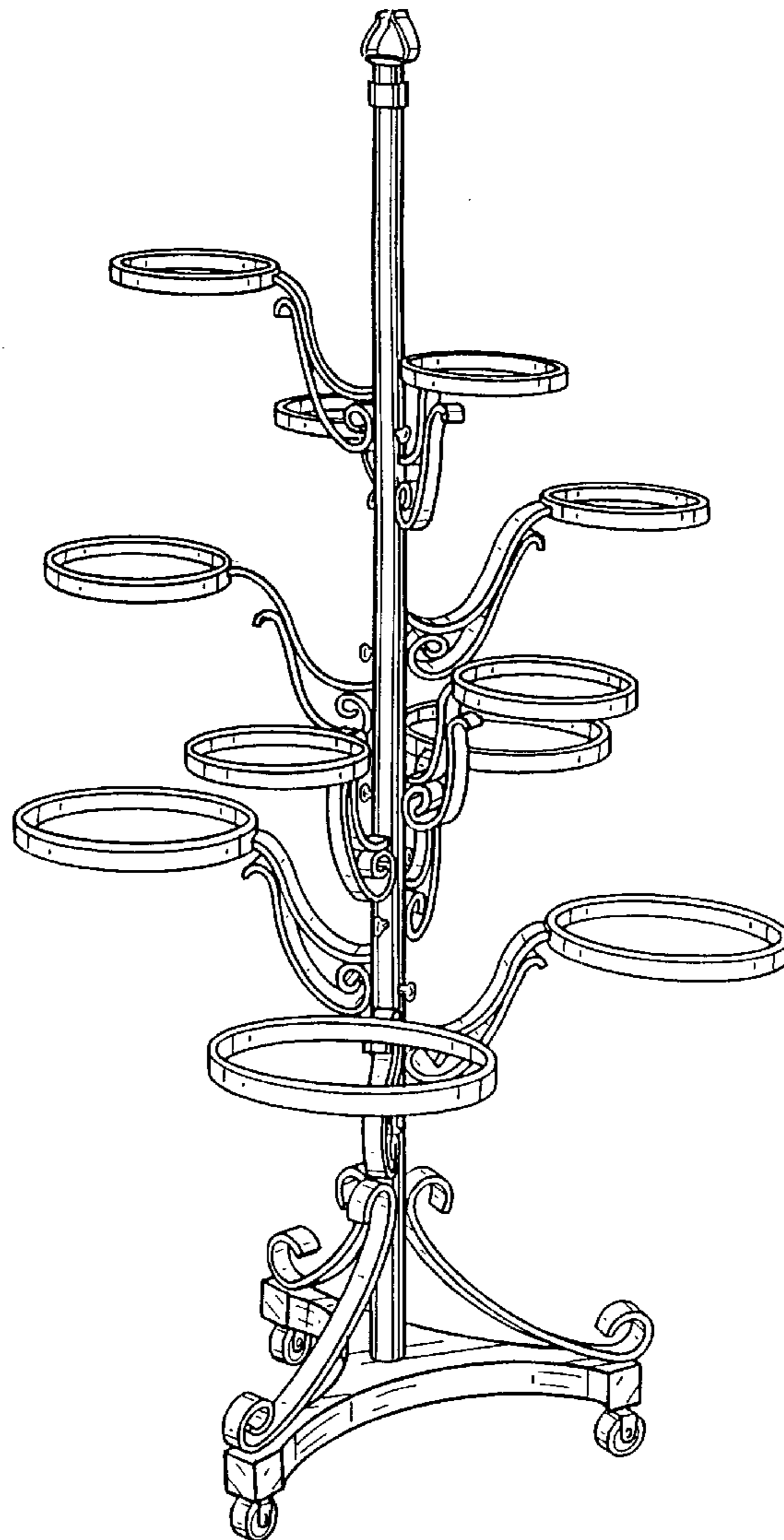


FIG. 1

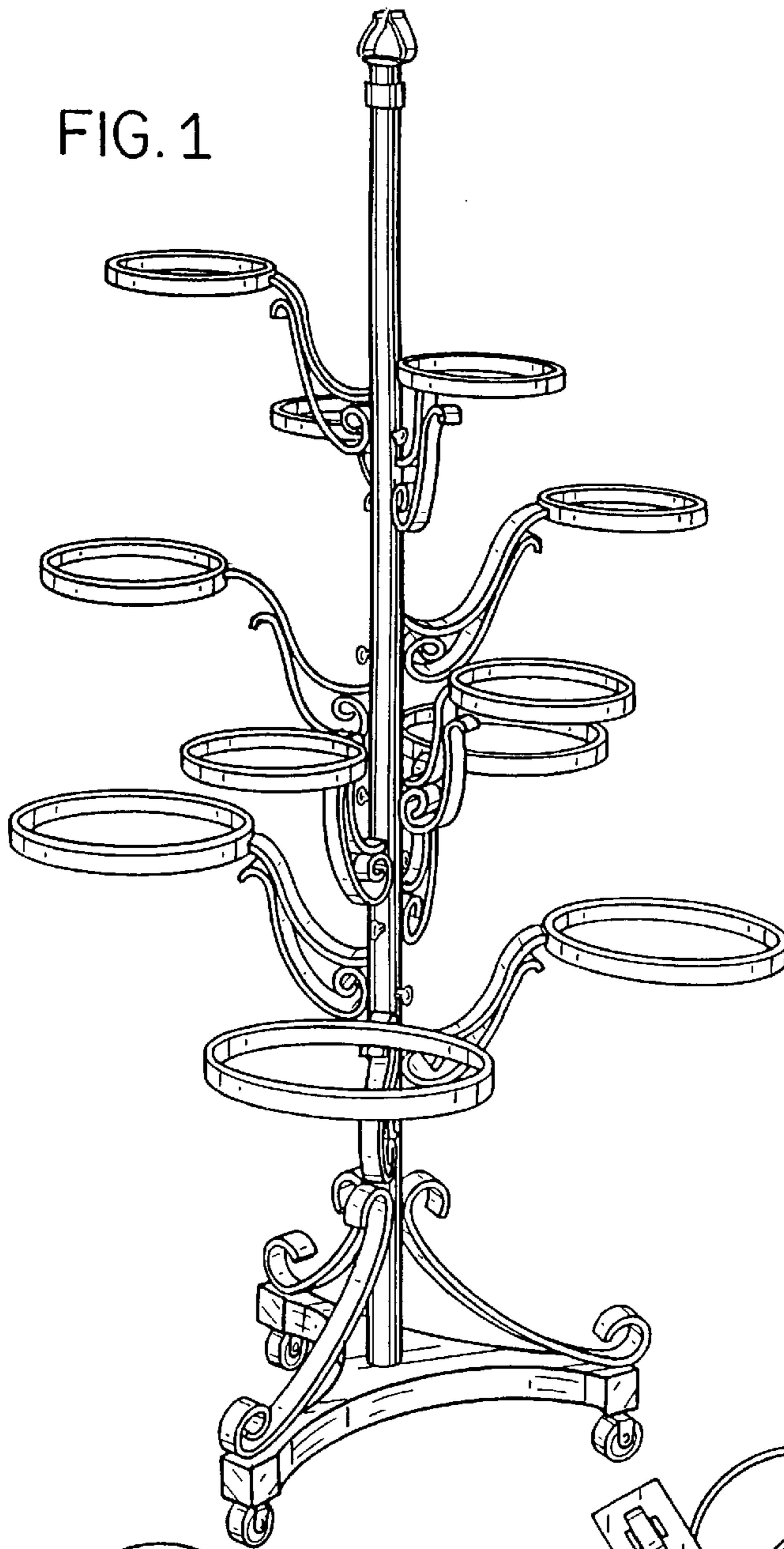


FIG. 2

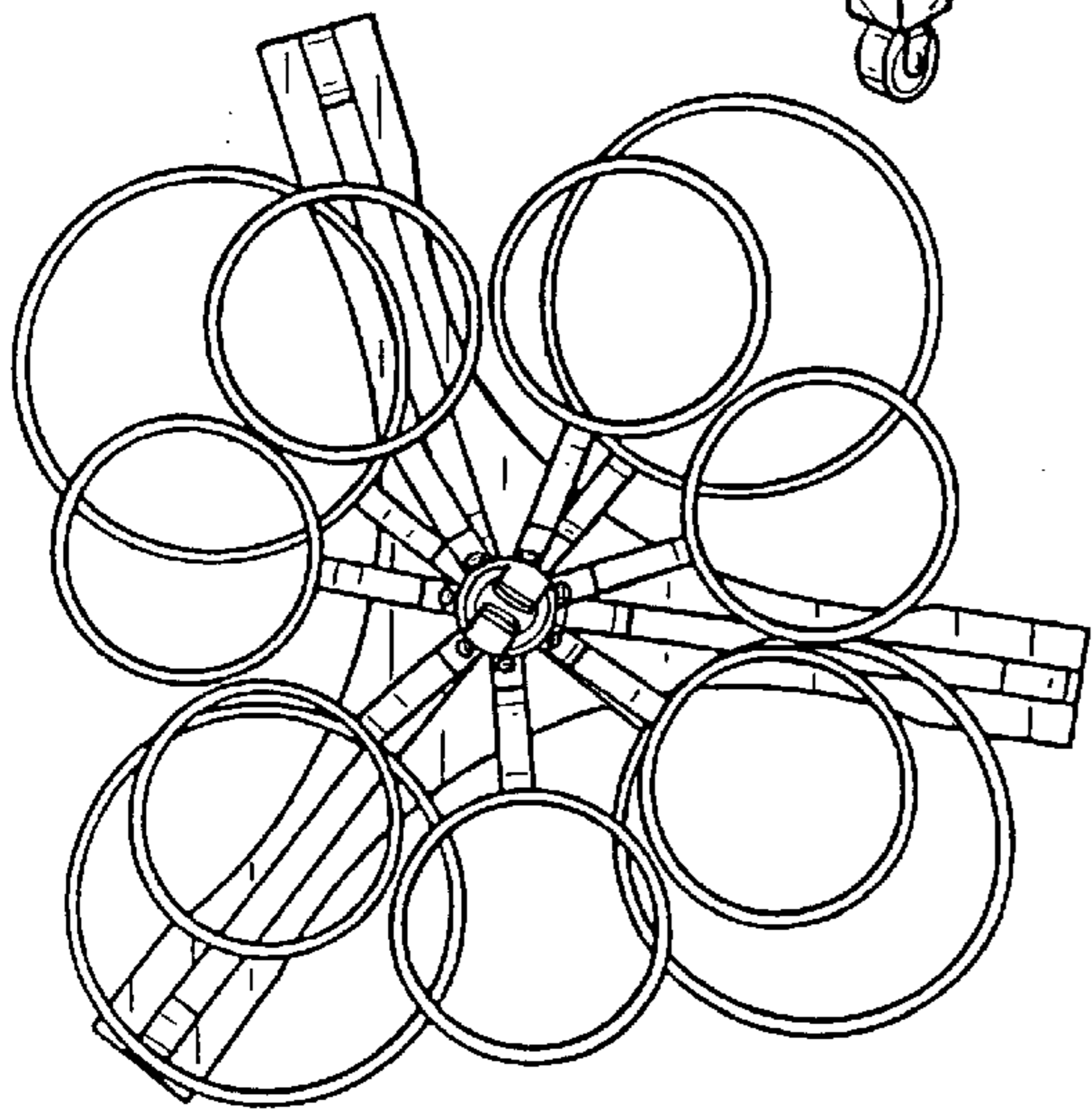


FIG. 3

