



US00D403528S

United States Patent [19]

Dow et al.

[11] **Patent Number:** Des. 403,528

[45] **Date of Patent:** **Jan. 5, 1999

[54] **HANDLE FOR MEDIA CARTRIDGE CADDY**

[75] Inventors: **James C Dow; Modest Khovaylo; Daniel R. Dauner; Lee A. Sutherland,** all of Ft. Collins, Colo.

[73] Assignee: **Hewlett-Packard Company,** Palo Alto, Calif.

[**] Term: **14 Years**

[21] Appl. No.: **66,714**

[22] Filed: **Feb. 28, 1997**

[51] **LOC (6) Cl.** **06-04**

[52] **U.S. Cl.** **D6/407**

[58] **Field of Search** D6/407, 627, 631, D6/632, 633, 630; D3/268, 276, 281, 282; D8/300, 301, 302, 315, 321; 206/307, 307.1, 308, 308.3

[56] **References Cited**

U.S. PATENT DOCUMENTS

D. 180,747 8/1957 Parcher D6/631

D. 189,267 11/1960 Silten D6/633
D. 212,662 11/1968 Furniss D6/633
D. 272,298 1/1984 Stravitz D6/630
D. 370,563 6/1996 Sijmons D3/276

Primary Examiner—Doris V. Coles
Assistant Examiner—Catherine R. Oliver
Attorney, Agent, or Firm—Augustus W. Winfield

[57] **CLAIM**

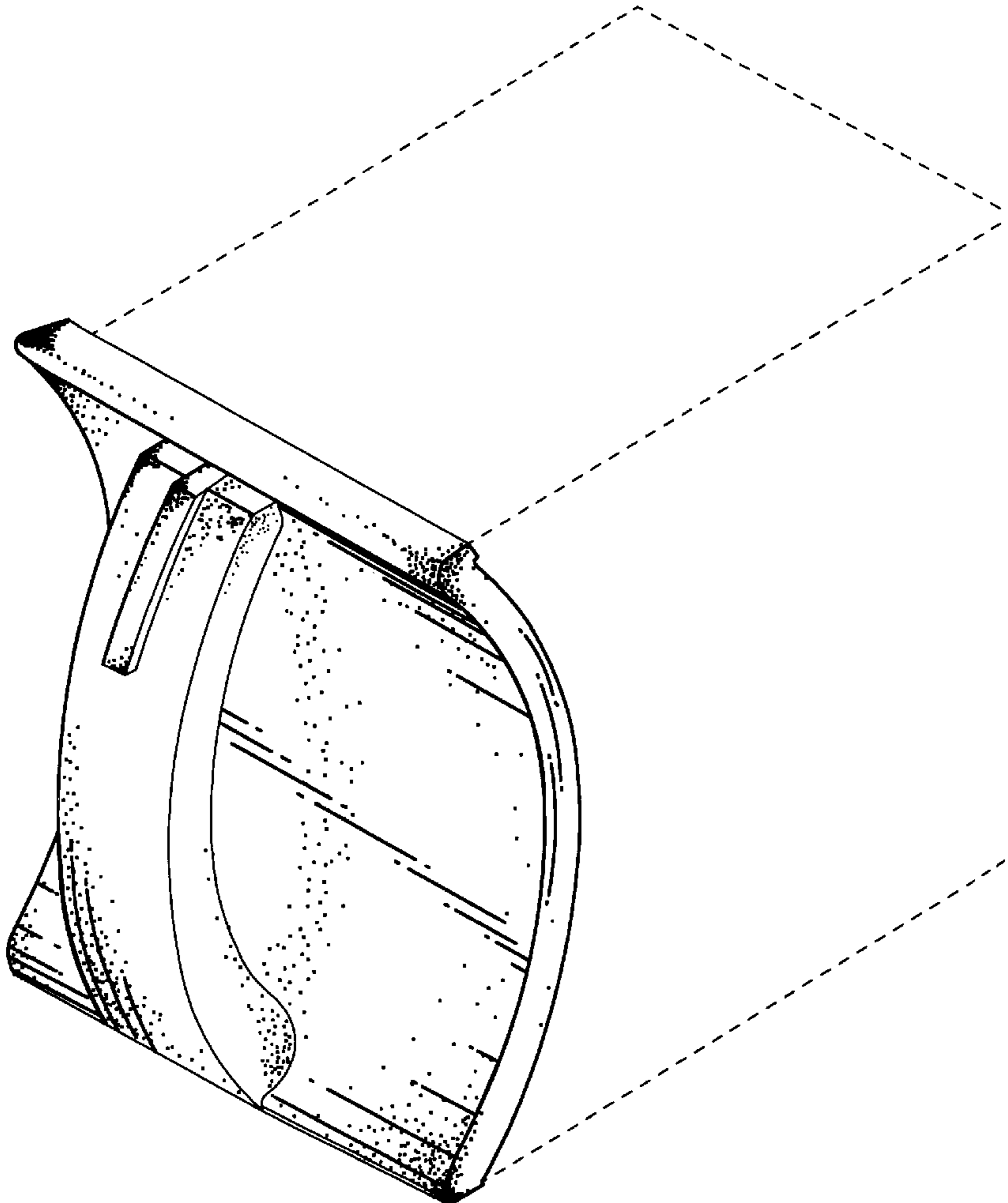
The ornamental design for the handle for media cartridge caddy, as shown and described.

DESCRIPTION

FIG. 1 is a top front and right side perspective view of a handle for media cartridge caddy showing our new design; FIG. 2 is a front elevational view; FIG. 3 is a right side elevational view, with the left side elevational view being a mirror image thereof; FIG. 4 is a top view; and, FIG. 5 is a bottom view.

The rear of the bezel forms no part of the claimed design. The broken lines of FIG. 1-5 are for illustrative purposes only and form no part of the claimed design.

1 Claim, 5 Drawing Sheets



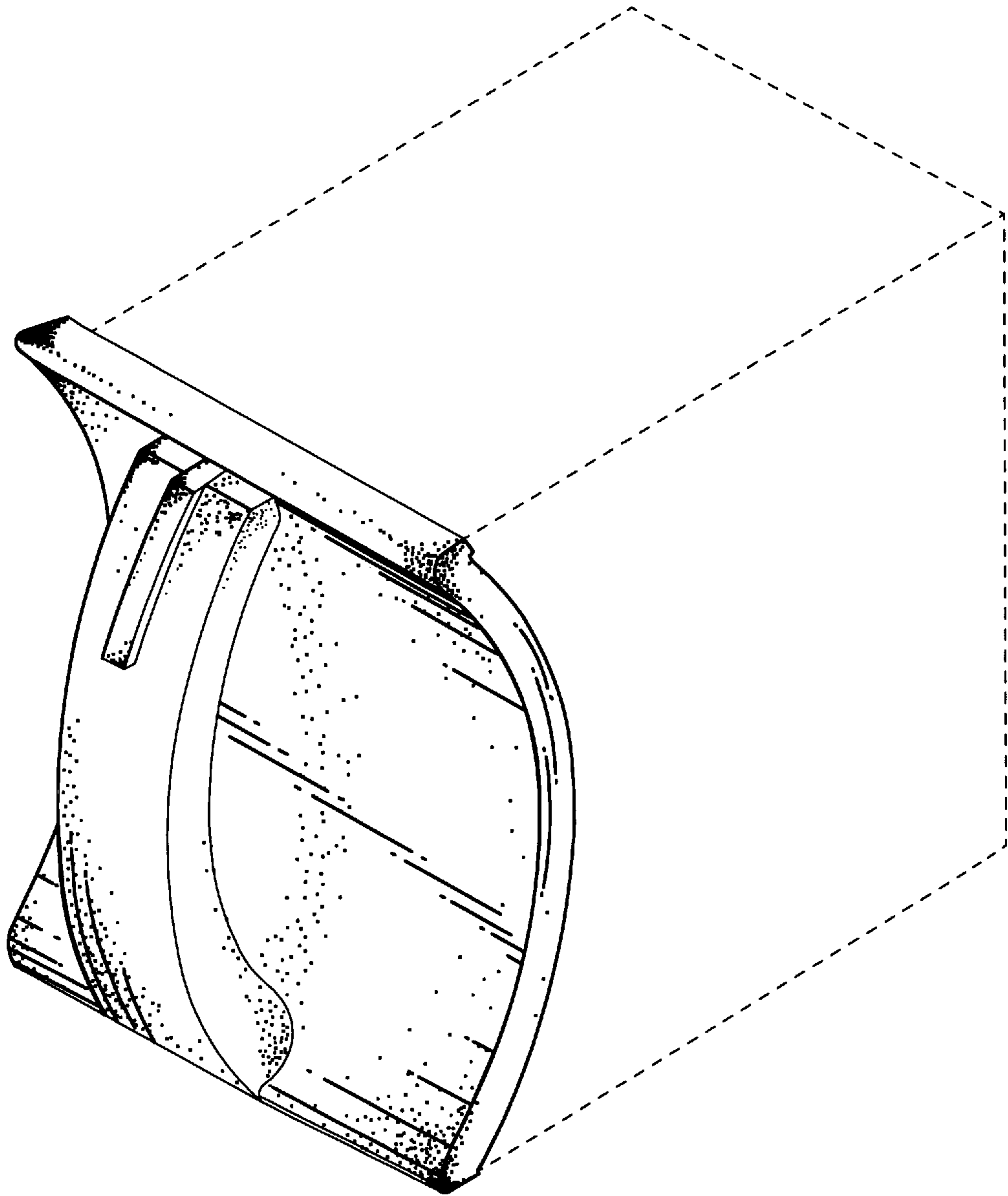


FIG 1

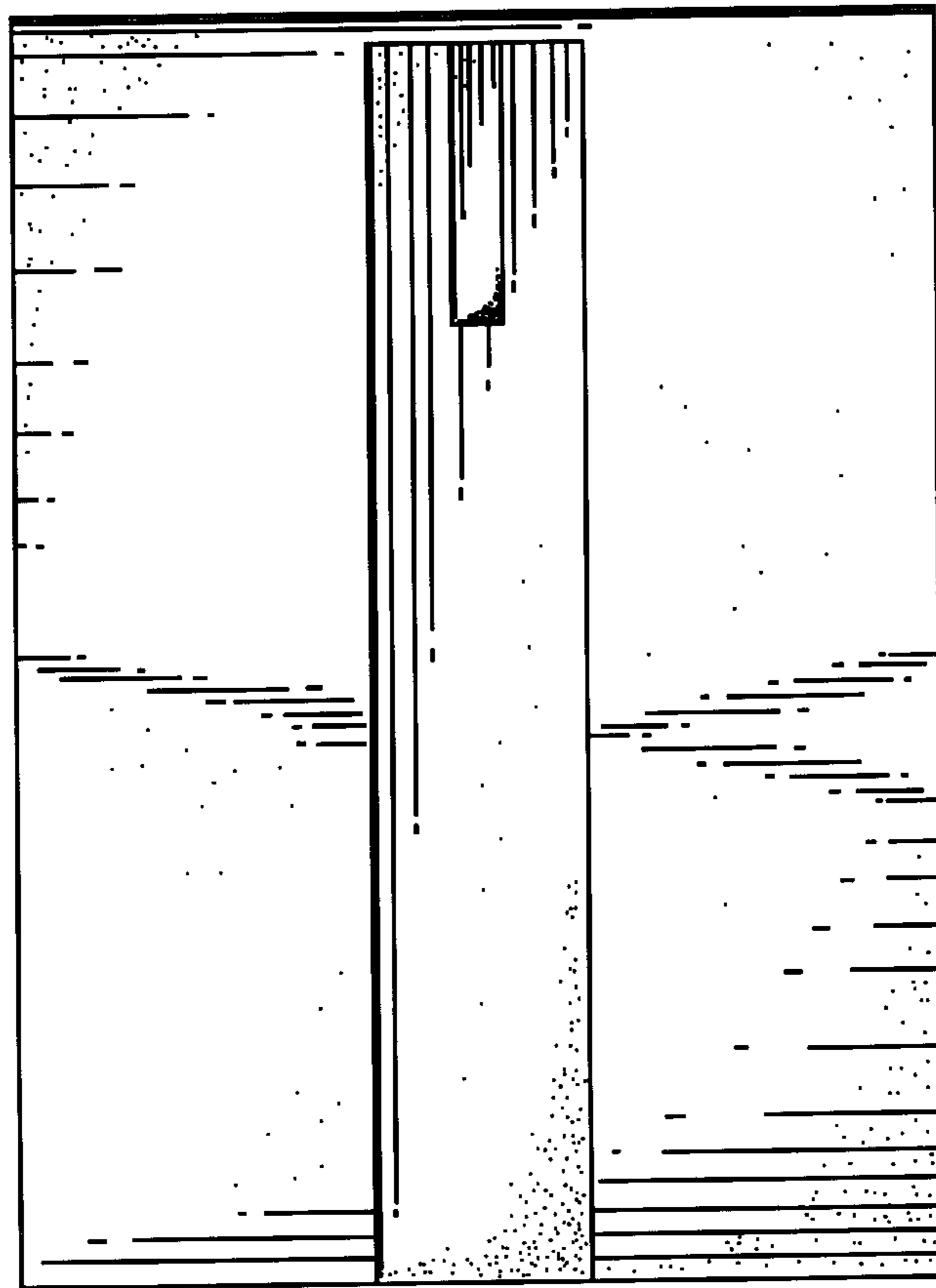


FIG 2

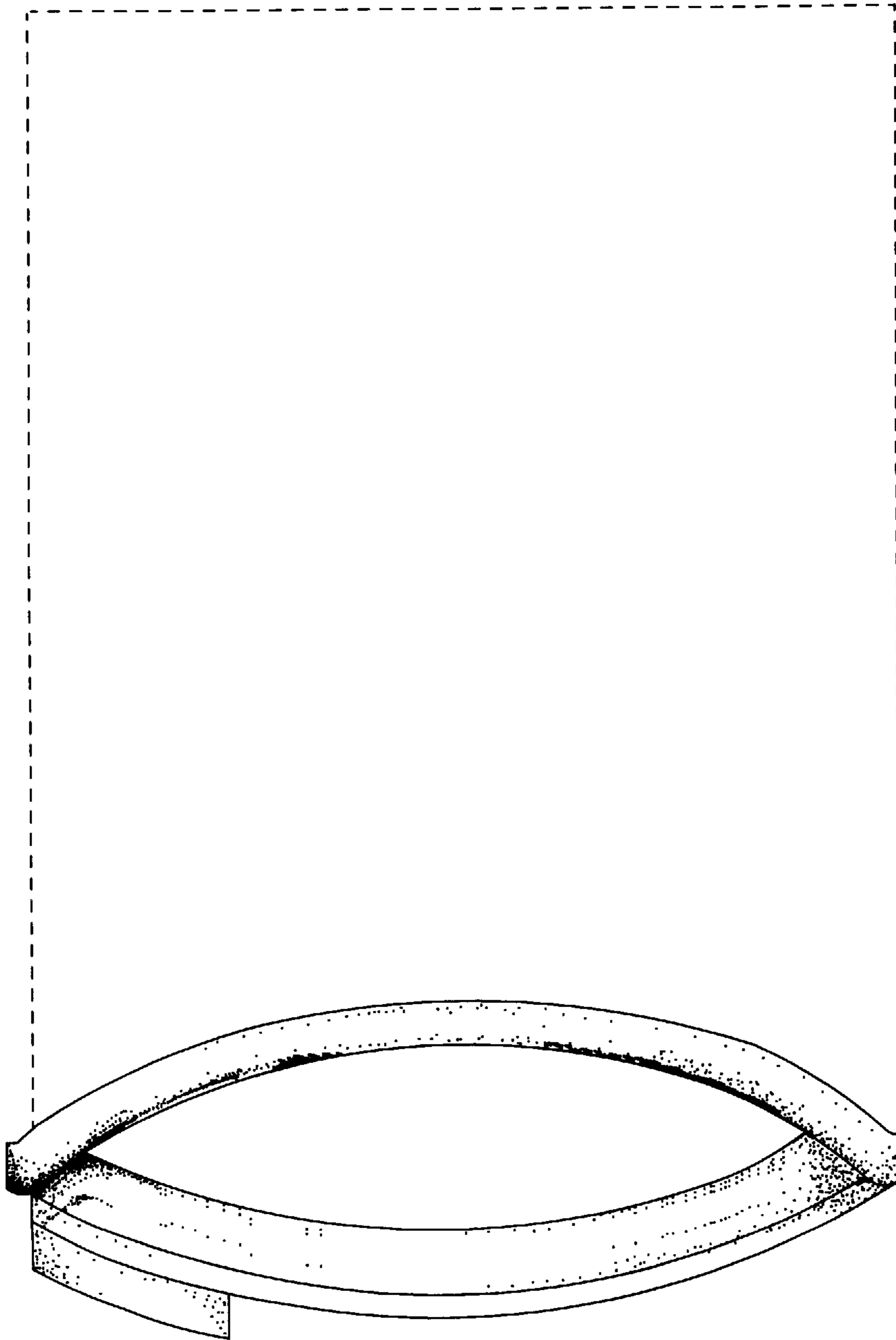


FIG 3

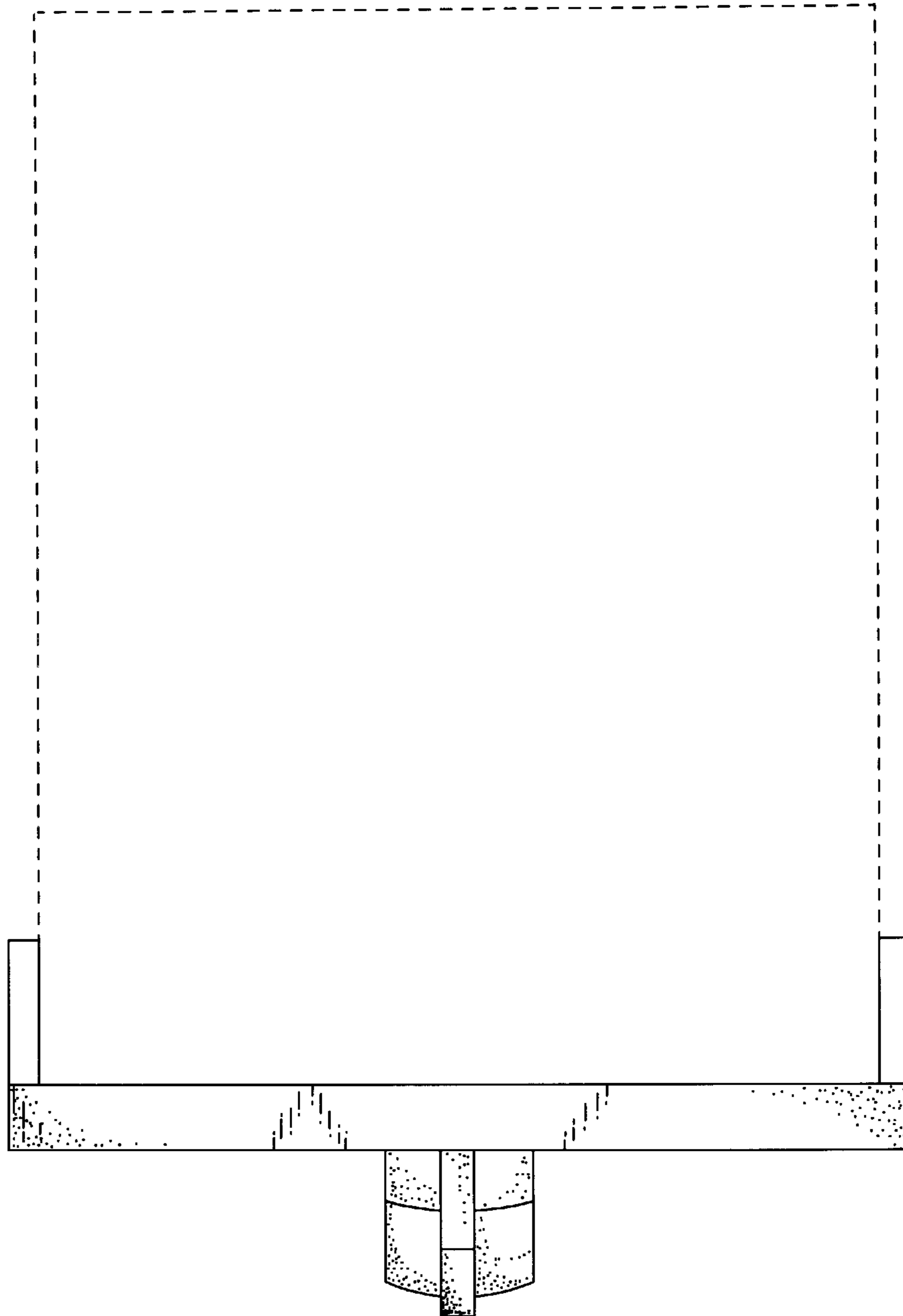


FIG 4

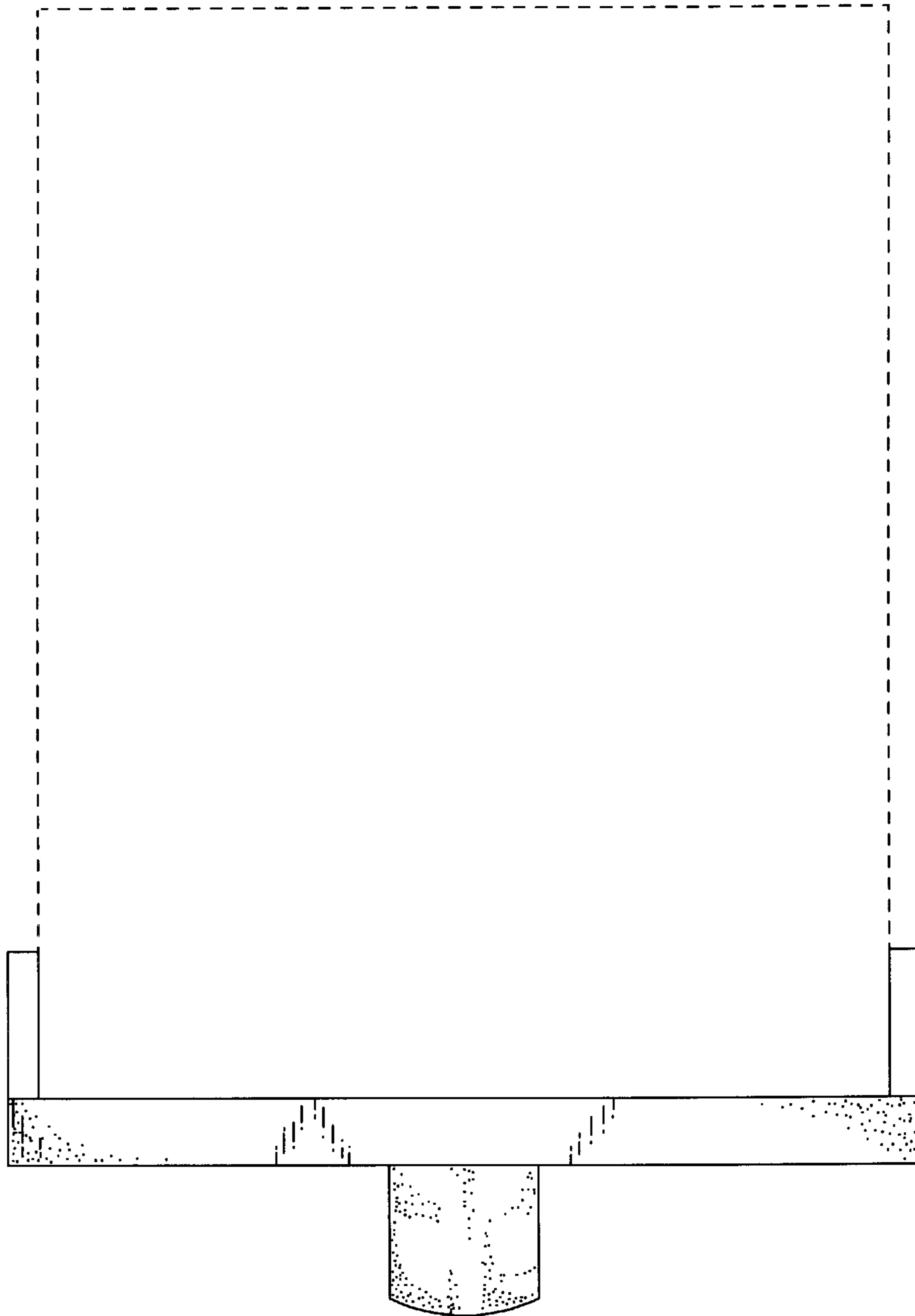


FIG 5