



US00D403526S

United States Patent [19]
Zaidman

[11] **Patent Number: Des. 403,526**
[45] **Date of Patent: **Jan. 5, 1999**

[54] **COMBINED BED AND DESK**
[75] Inventor: **S. Paul Zaidman**, Winnipeg, Canada
[73] Assignee: **Palliser Furniture Ltd.**, Canada
[**] Term: **14 Years**
[21] Appl. No.: **76,038**
[22] Filed: **Aug. 27, 1997**
[51] **LOC (6) Cl. 06-01**
[52] **U.S. Cl. D6/384**
[58] **Field of Search** D6/382-384, 390-395,
D6/505; 5/53.1, 2.1, 3, 5, 8, 9.1, 907, 308

Attorney, Agent, or Firm—Michael Best & Friedrich LLP

[57] **CLAIM**

The ornamental design for a combined bed and desk, as shown and described.

DESCRIPTION

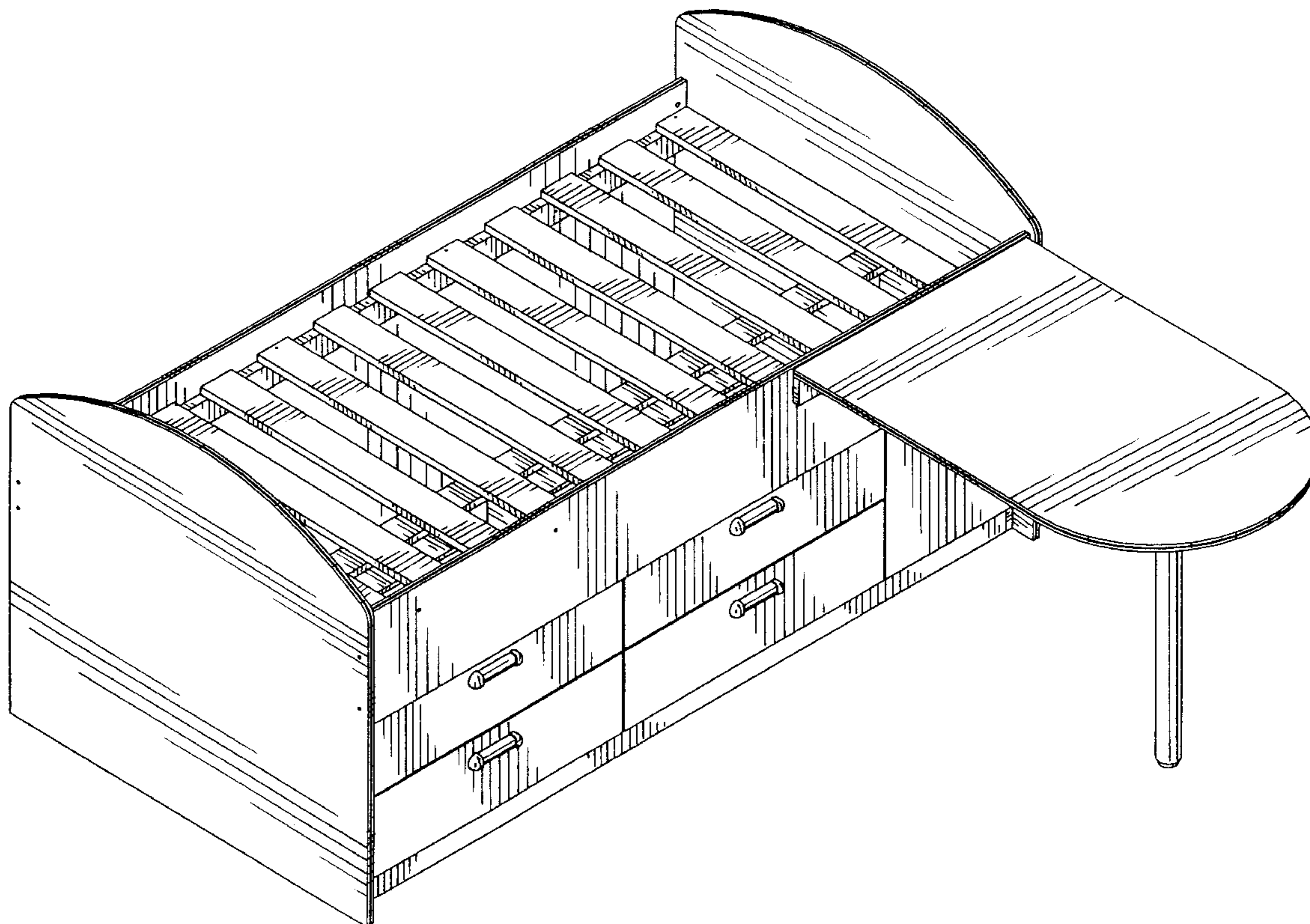
FIG. 1 is a front perspective view of the design; FIG. 2 is a front view of the design; and, FIG. 3 is a right-hand end view of the design; the left-hand end view of the design is a mirror image of the right-hand end view of the design.

The portion of the article below the slatted mattress support is not part of the claimed design. The portion of the slats and the slat support at the front of the article which is not seen in FIG. 1 is a mirror image of the like portion of the slats and the slat support at the rear of the article. The rear of the article is not part of the claimed design. The inside of the footboard not shown is the same as the inside of the headboard shown in FIG. 1.

[56] **References Cited**
U.S. PATENT DOCUMENTS
D. 45,708 5/1914 Giordano D6/384
D. 279,339 6/1985 Testa D6/384
2,662,231 12/1953 King D6/384

Primary Examiner—Janice E. Seeger

1 Claim, 3 Drawing Sheets



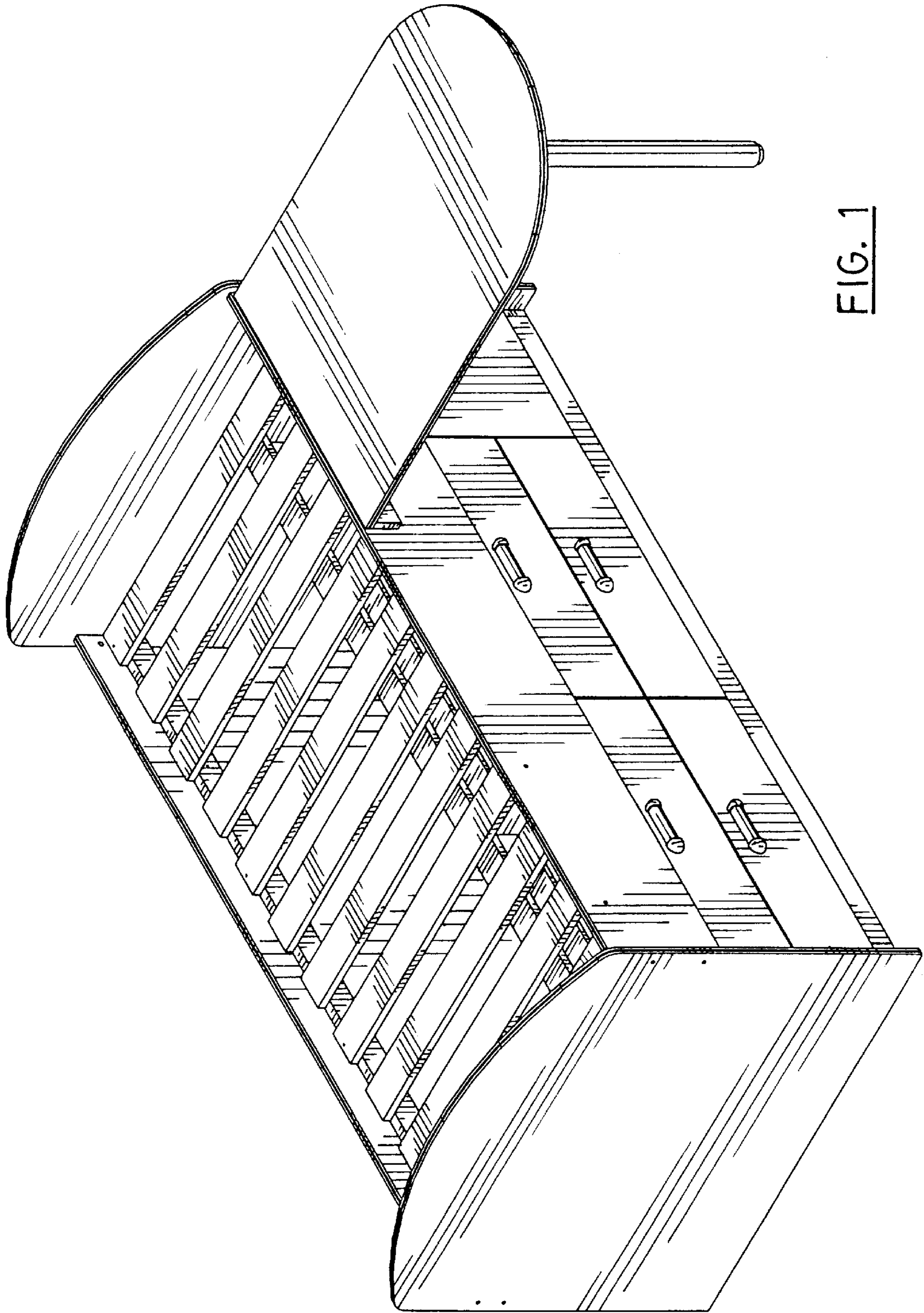


FIG. 1

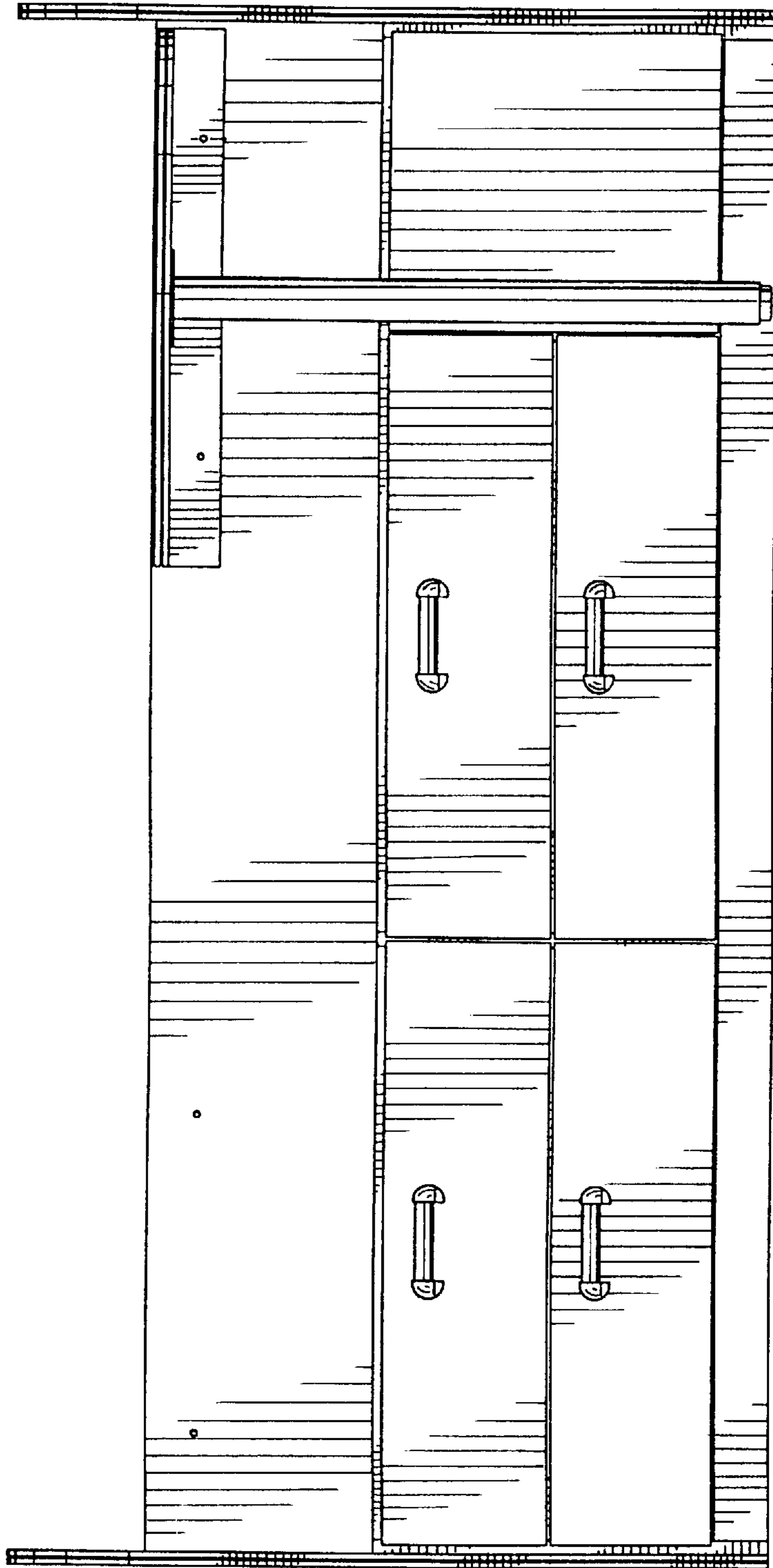


FIG. 2

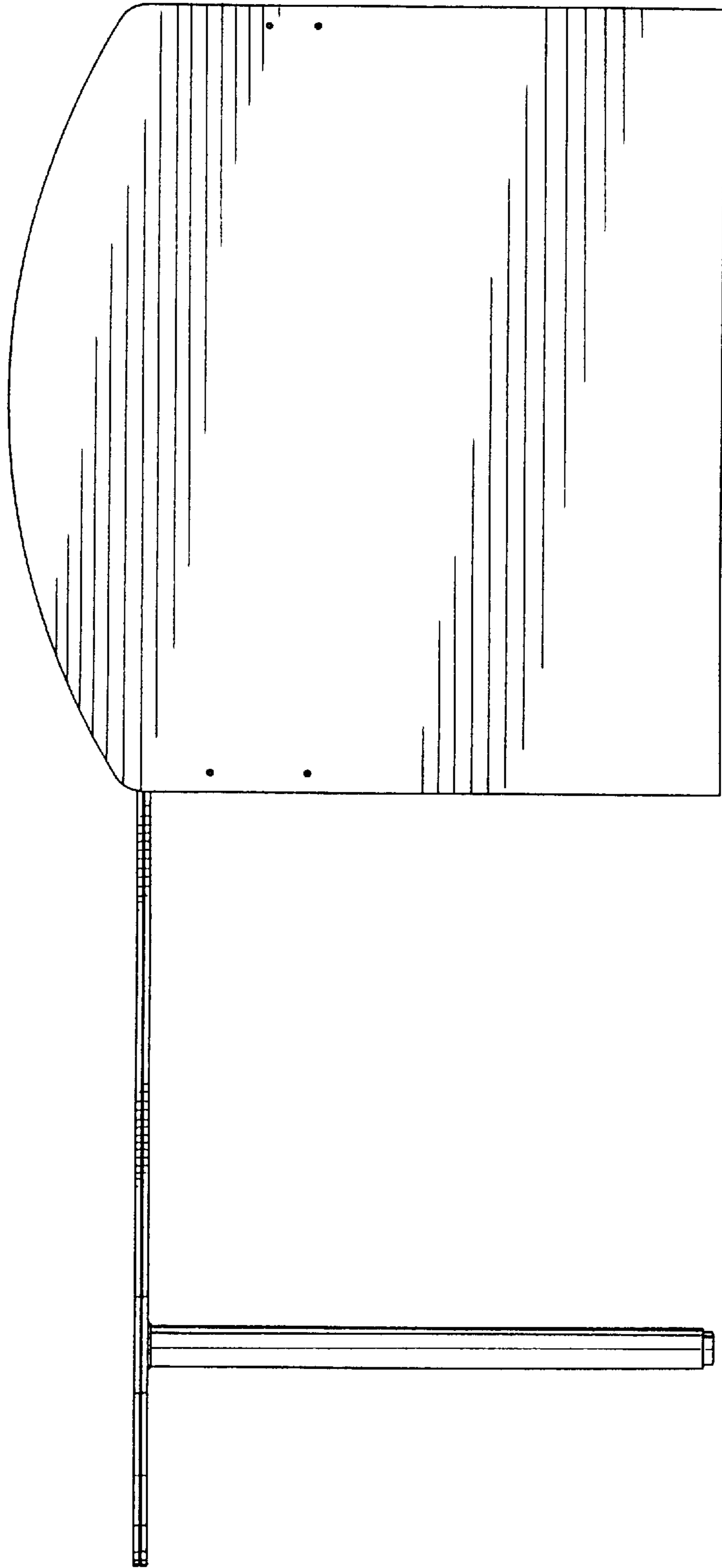


FIG. 3