



US00D403524S

United States Patent [19] Dotson

[11] **Patent Number: Des. 403,524**

[45] **Date of Patent: **Jan. 5, 1999**

[54] **HOSPITAL BED WITH BED PAN**

[76] Inventor: **Rosie Lee Dotson**, 2427 Silver Cove,
Memphis, Tenn. 38106

[**] Term: **14 Years**

[21] Appl. No.: **24,520**

[22] Filed: **Jun. 15, 1994**

Related U.S. Application Data

[63] Continuation of Ser. No. 648,401, Jan. 30, 1991, abandoned.

[51] **LOC (6) Cl.** **06-01**

[52] **U.S. Cl.** **D6/382; D6/383; D6/384**

[58] **Field of Search** **D6/382, 388, 390-192;**
D24/122, 132, 183, 184; 5/604, 605, 617,
463, 606, 695; 4/450

[56] **References Cited**

U.S. PATENT DOCUMENTS

D. 159,608	3/1950	Godschalk	D6/391
D. 252,597	8/1979	Carter	D6/388
963,538	7/1910	Ford	5/604 X
1,822,206	9/1931	Ferguson	D24/183
1,949,035	2/1934	Beurschagens	5/604 X
2,618,787	11/1952	Dickson	5/604

FOREIGN PATENT DOCUMENTS

0000745	3/1875	France	5/604
0503952	6/1920	United Kingdom	5/604

OTHER PUBLICATIONS

Marketing Brochure Distributed By "Advanced Patent Services" Approximately During Mar. 1991 For A Special Care Bed.

Henry Prefuss "Symbol Source Book" Medicene pp. 113, 119 ©1972.

Handbook of Pictorial Symbols "Medicene" p. 46 ©1976.

Primary Examiner—Janice E. Seeger

[57] **CLAIM**

The ornamental design of a hospital bed with bed pan, as shown and described.

DESCRIPTION

FIG. 1 is a front elevational view of a hospital bed with bed pan showing my new design;

FIG. 2 is a rear elevational view thereof;

FIG. 3 is a left side elevational view thereof;

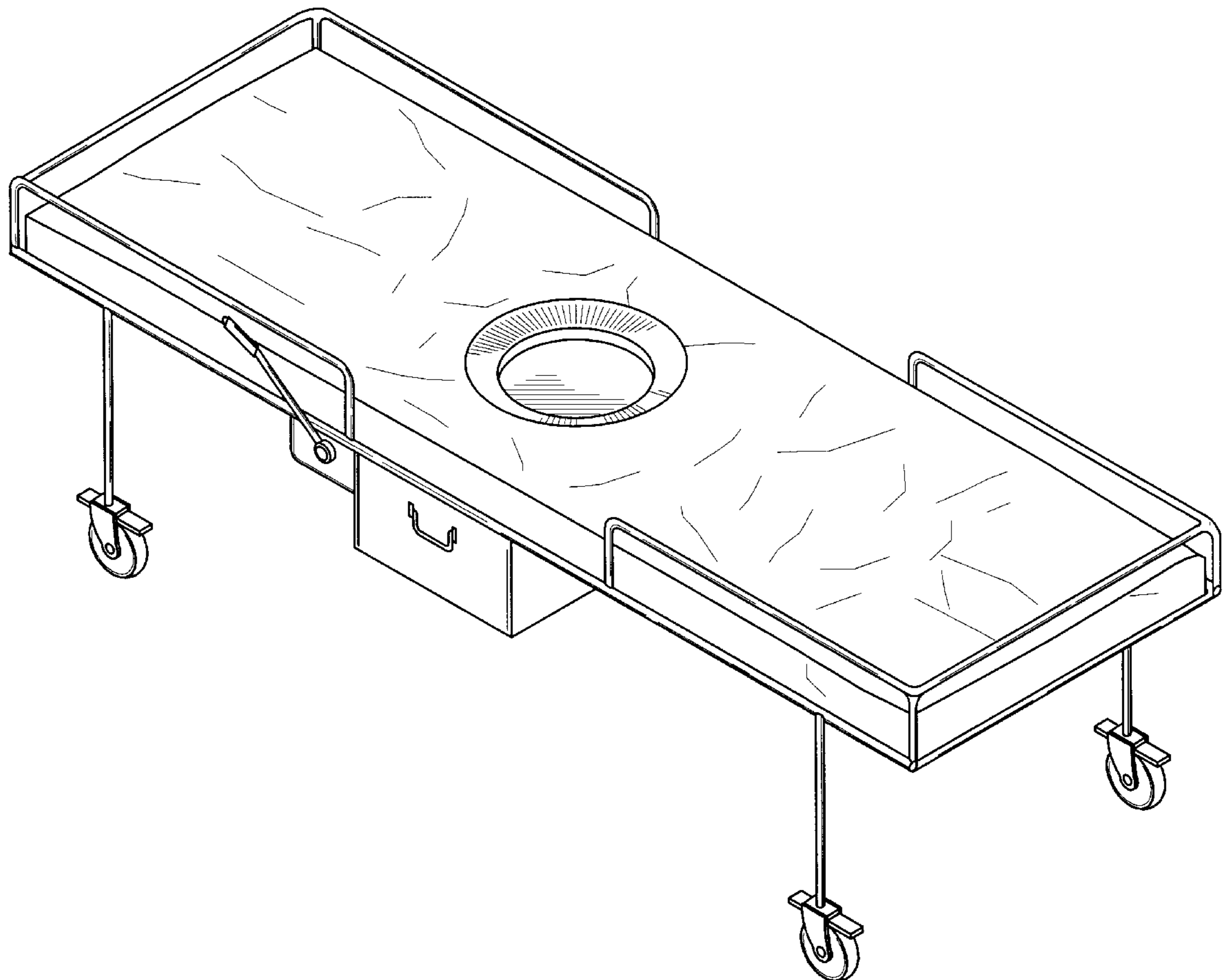
FIG. 4 is a right side elevational view thereof;

FIG. 5 is a top plan view thereof;

FIG. 6 is a bottom plan view thereof; and,

FIG. 7 is a perspective view thereof.

1 Claim, 4 Drawing Sheets



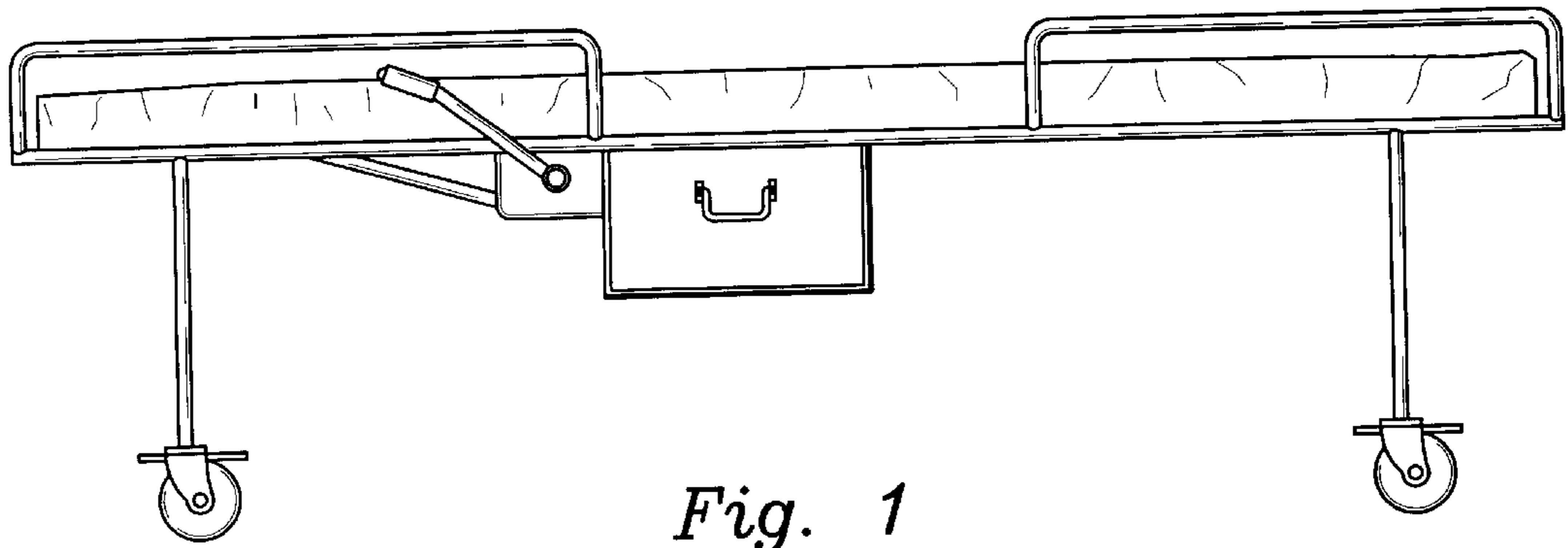


Fig. 1

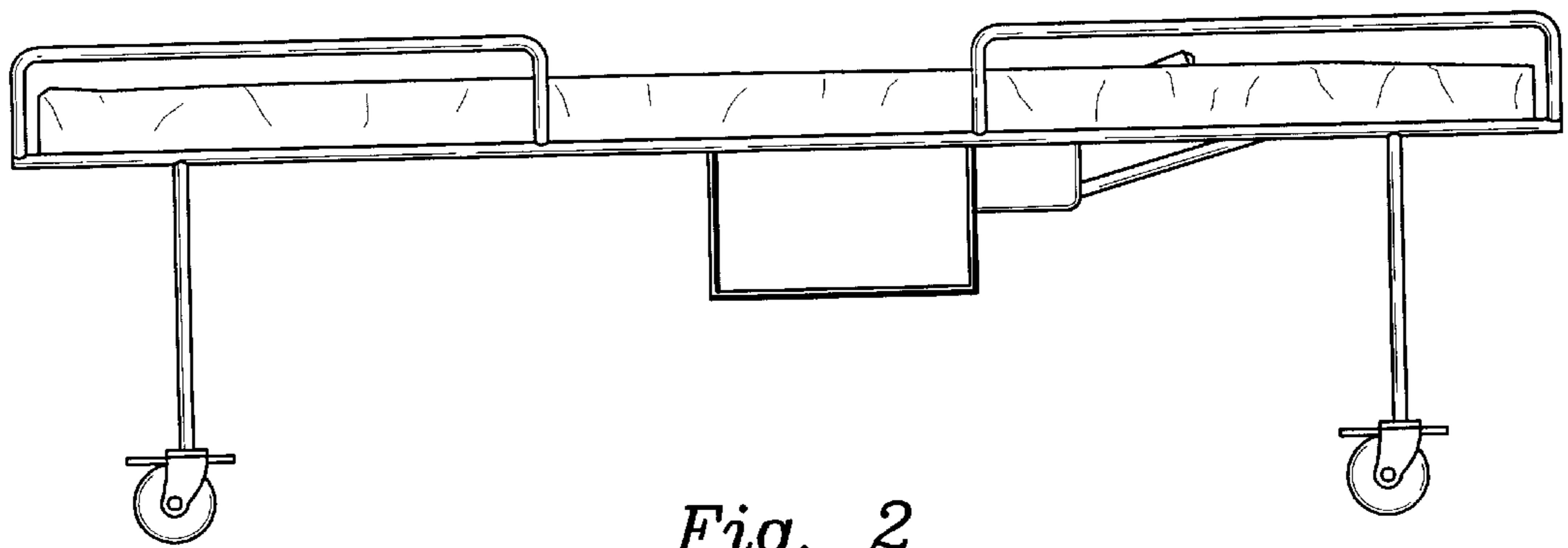


Fig. 2

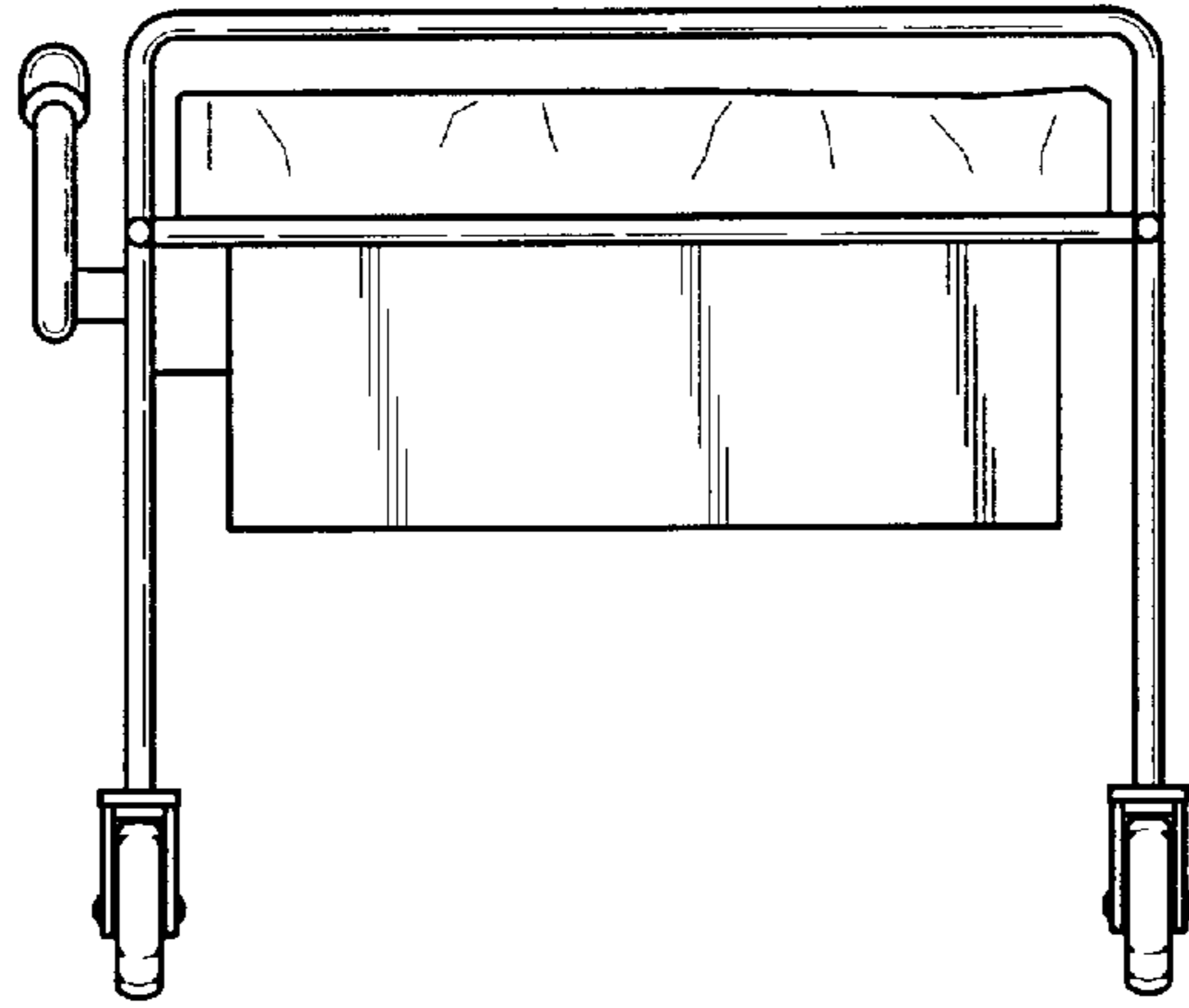


Fig. 3

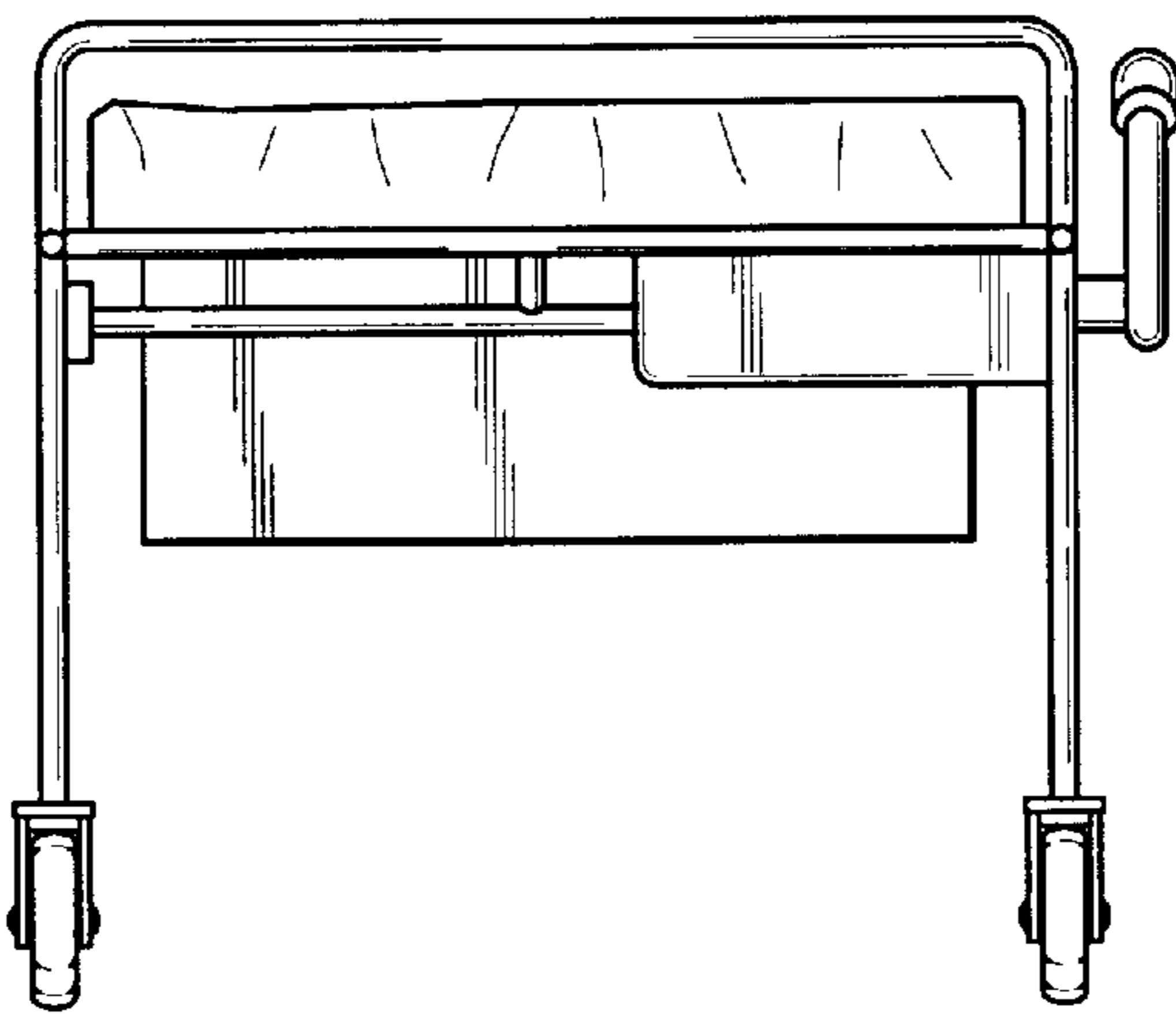


Fig. 4

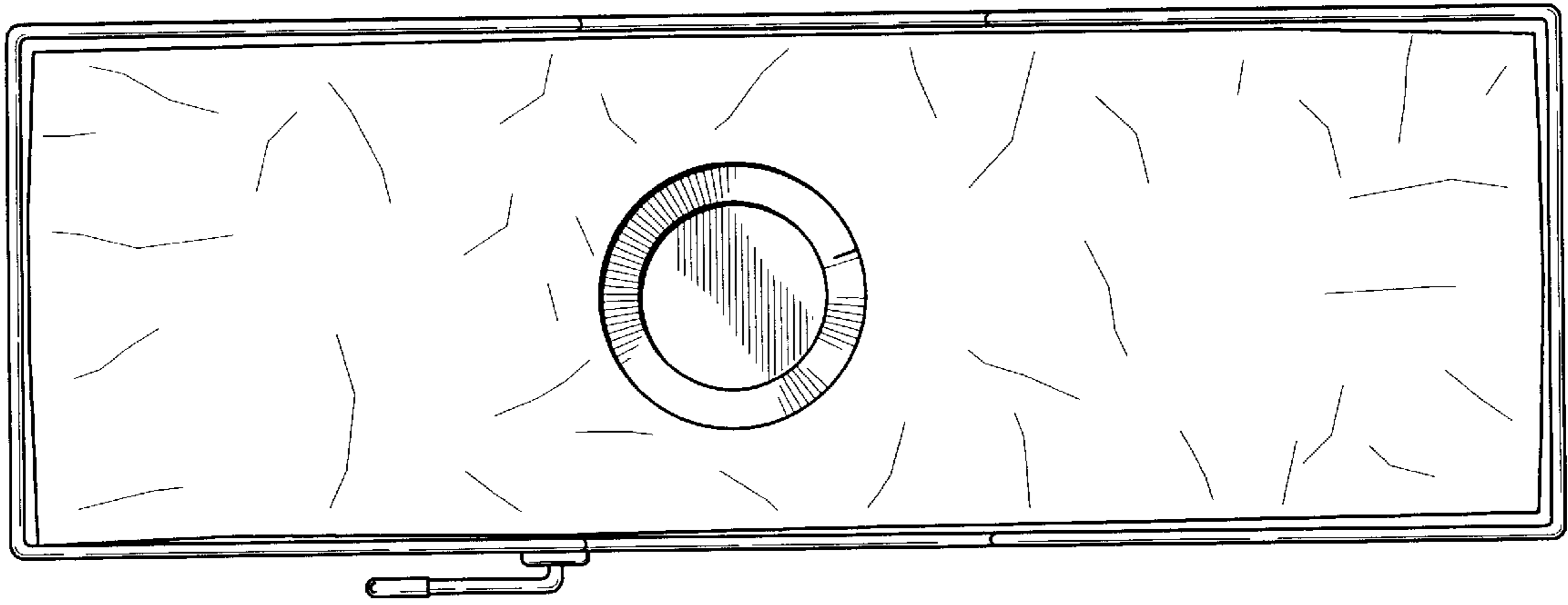


Fig. 5

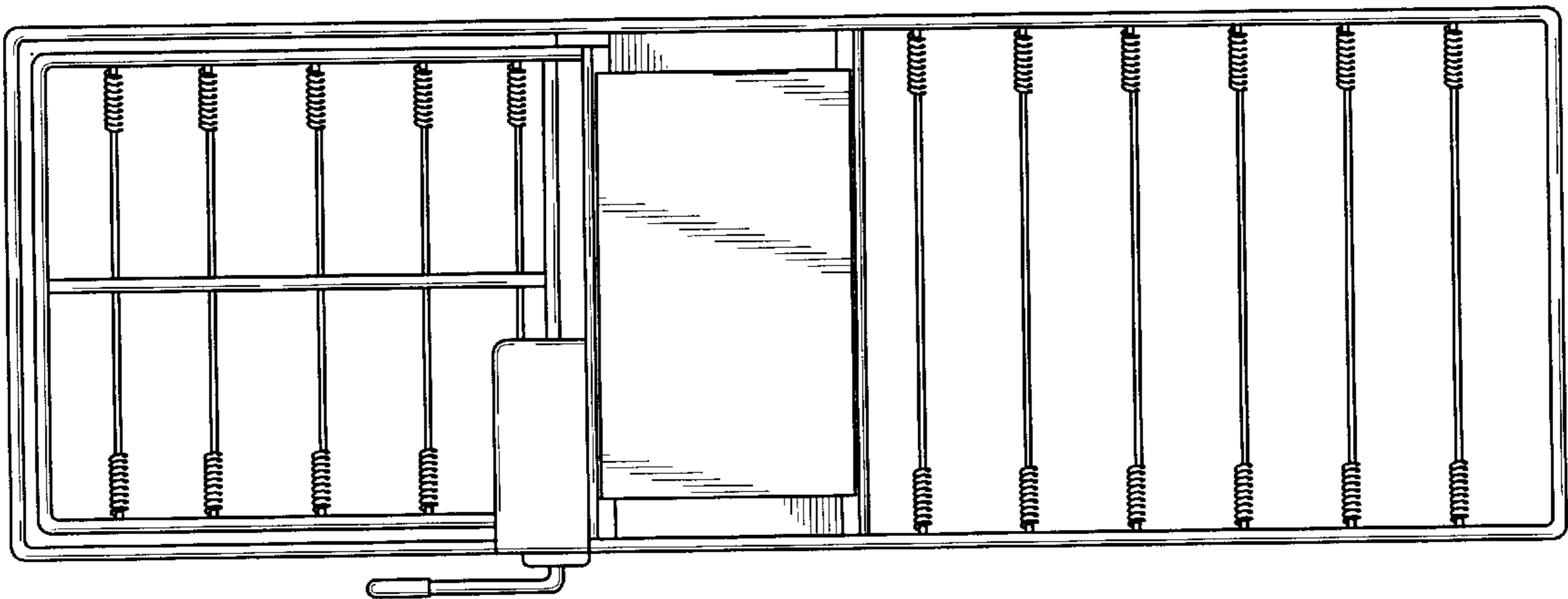


Fig. 6

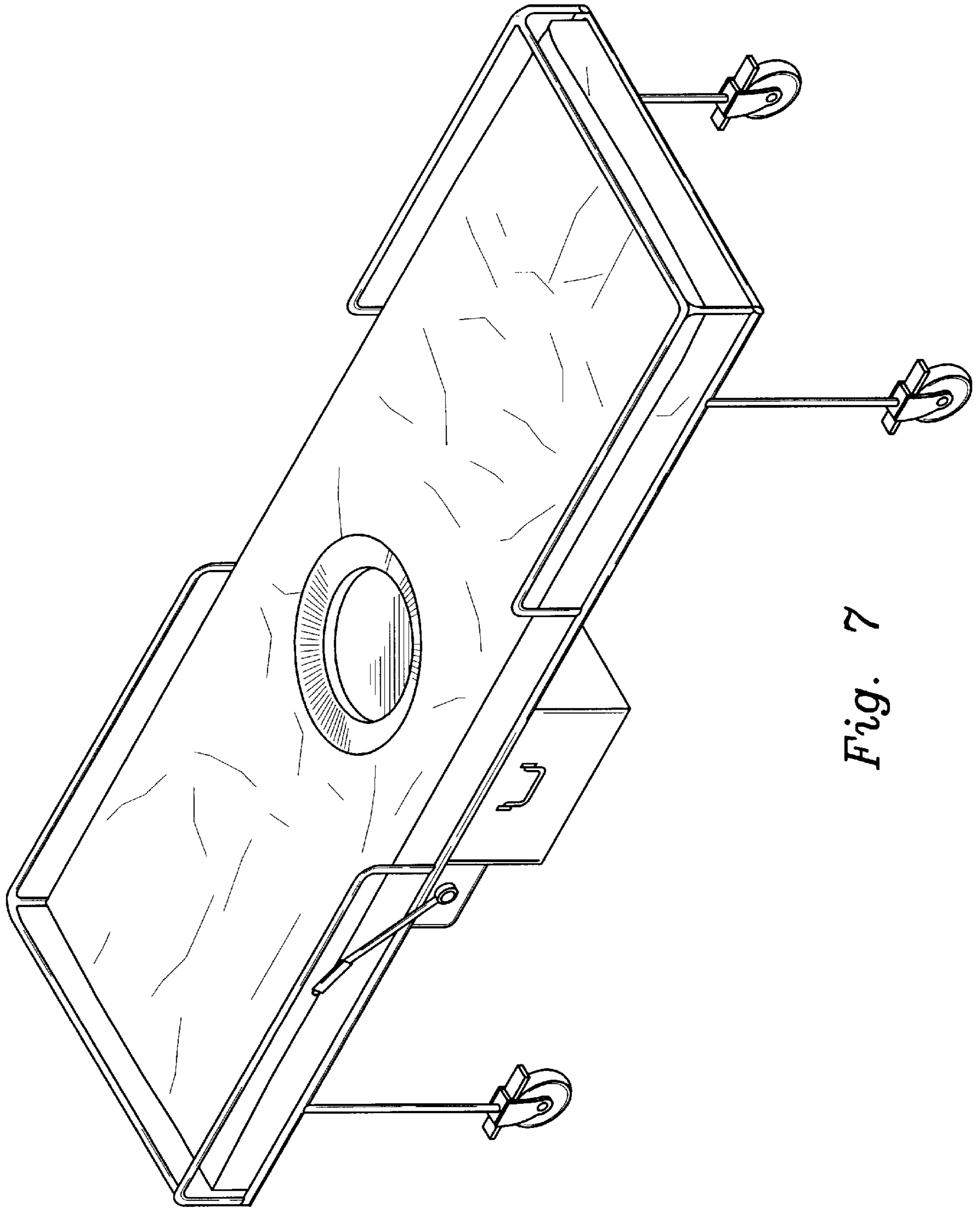


Fig. 7