



US00D403521S

**United States Patent** [19]  
**Wilson**

[11] **Patent Number:** **Des. 403,521**

[45] **Date of Patent:** **\*\*Jan. 5, 1999**

[54] **CHAIR**

[75] Inventor: **Robert L. Wilson**, Senatobia, Miss.

[73] Assignee: **Chromcraft/Revington Company**,  
Senatobia, Miss.

[\*\*] Term: **14 Years**

[21] Appl. No.: **72,871**

[22] Filed: **Jun. 5, 1997**

[51] **LOC (6) Cl.** ..... **06-01**

[52] **U.S. Cl.** ..... **D6/366**

[58] **Field of Search** ..... D6/334, 364, 365,  
D6/366, 367, 379, 500, 501, 502

[56] **References Cited**

**U.S. PATENT DOCUMENTS**

D. 282,510	2/1986	Diffrient	.....	D6/366
D. 348,786	7/1994	Tolleson et al.	.....	D6/366
D. 369,705	5/1996	George et al.	.....	D6/500
D. 370,790	6/1996	Dammerman	.....	D6/366
D. 382,149	8/1997	Pimental et al.	.....	D6/500

**OTHER PUBLICATIONS**

Wholesale Furniture, p. M-11, Chair # 88306 at mid-page right,.

*Primary Examiner*—Gary D. Watson

*Attorney, Agent, or Firm*—Wolf, Greenfield & Sacks, P.C.

[57] **CLAIM**

The ornamental design for a chair, as shown and described.

**DESCRIPTION**

FIG. 1 is a front three-quarter perspective view of a chair showing my new design;

FIG. 2 is a front perspective view thereof;

FIG. 3 is a left side perspective view thereof, the right side perspective view (not shown) being the mirror image thereof;

FIG. 4 is a rear perspective view thereof;

FIG. 5 is a top perspective view thereof;

FIG. 6 is a front three-quarter perspective view of a chair showing a second embodiment of my new design;

FIG. 7 is a front perspective view thereof;

FIG. 8 is a left side perspective view thereof, the right side perspective view (not shown) being the mirror image thereof;

FIG. 9 is a rear perspective view thereof; and,

FIG. 10 is a top perspective view thereof.

The tilt mechanism and adjustment levers shown in broken lines are presented for illustrative purposes only and form no part of the claimed design.

**1 Claim, 10 Drawing Sheets**



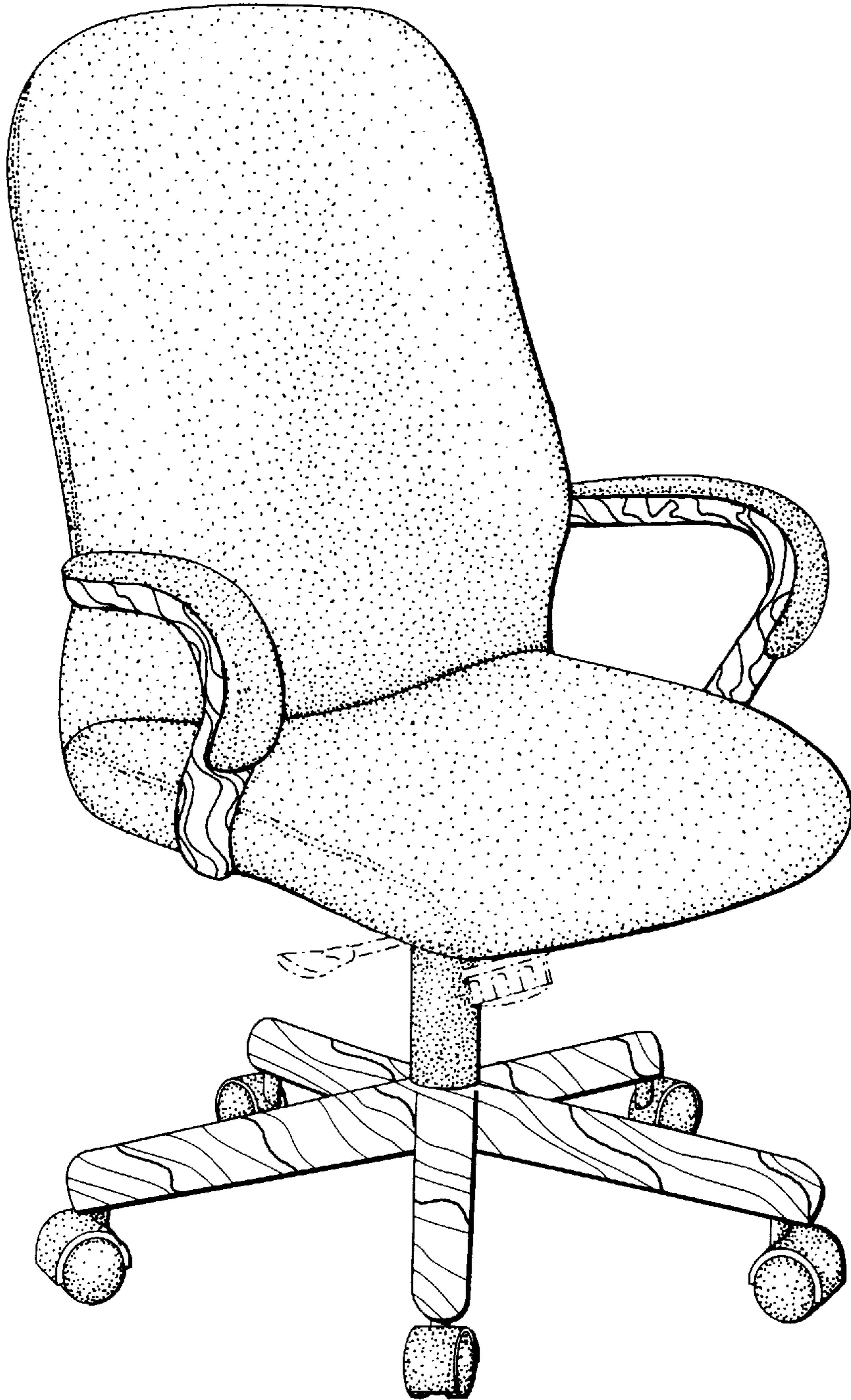


Fig. 1

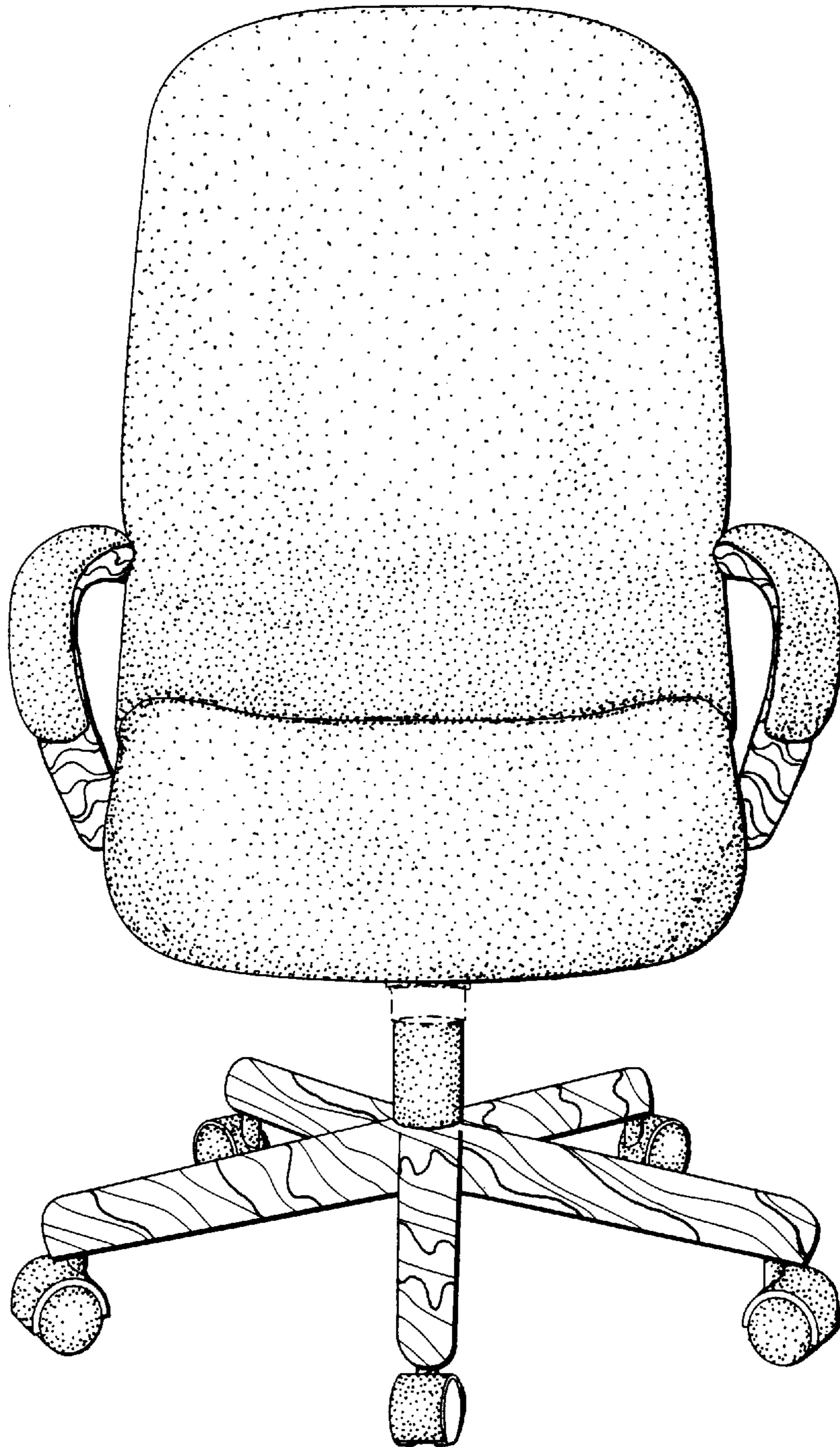


Fig. 2





Fig. 3

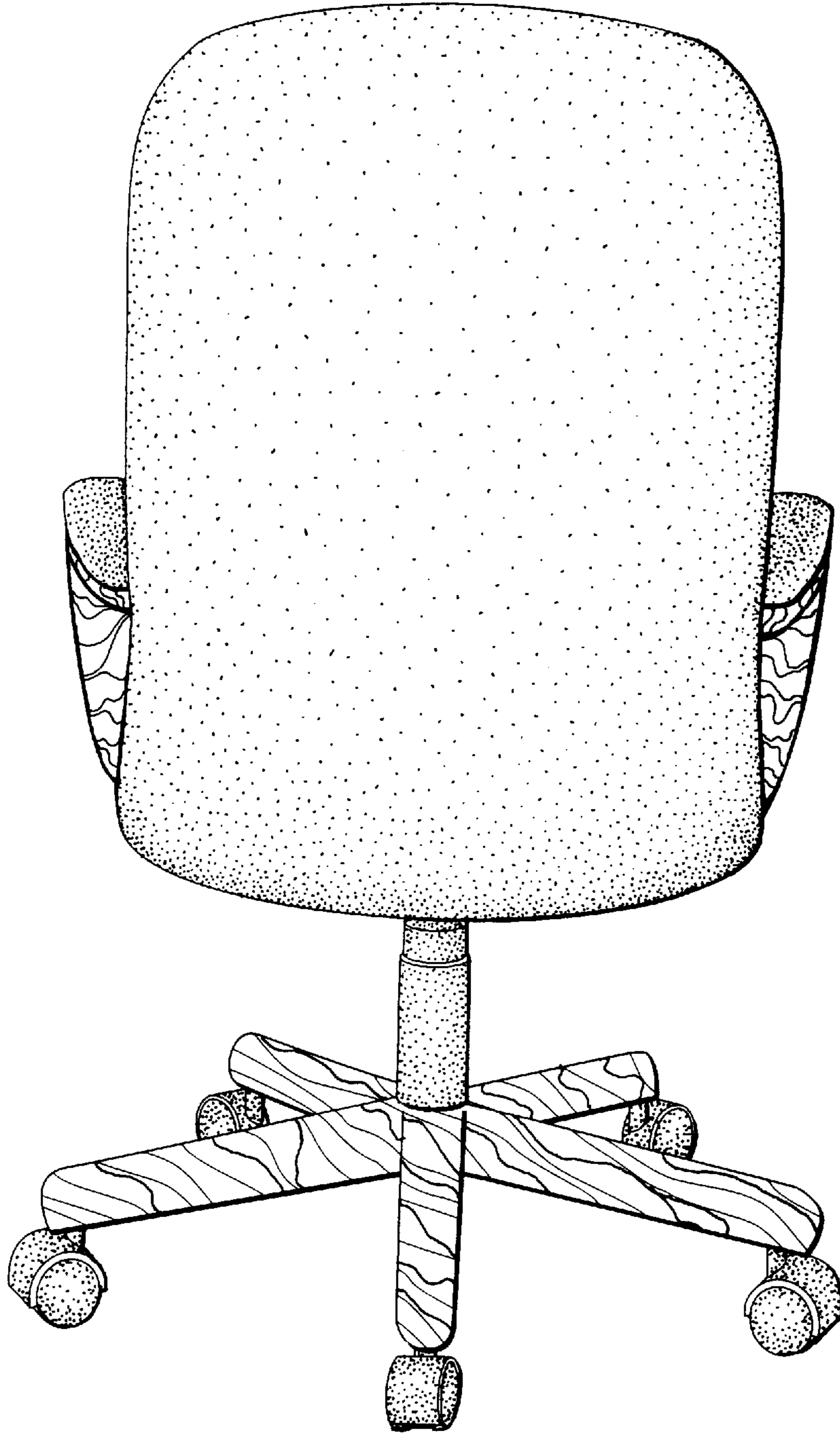


Fig. 4

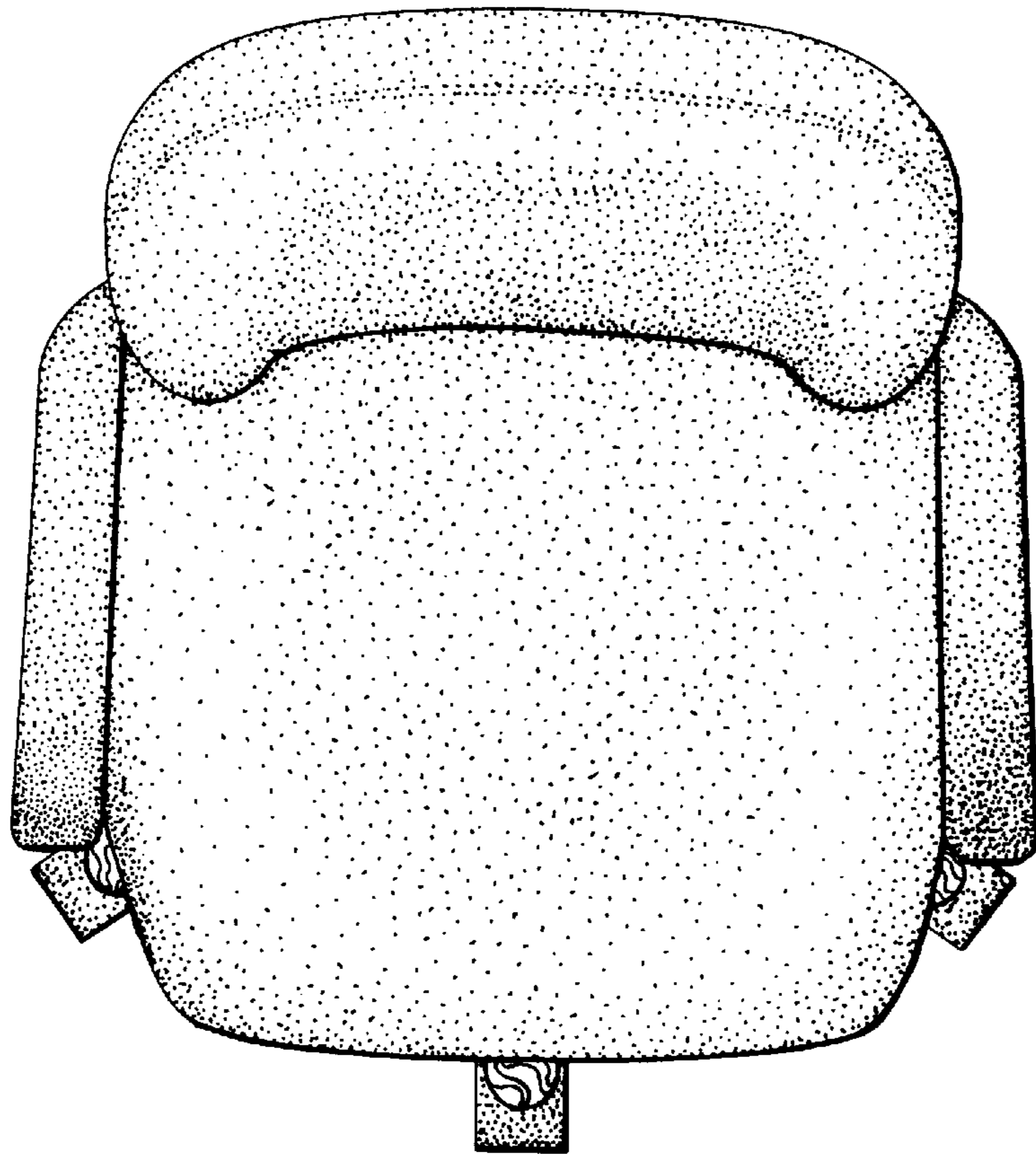


Fig. 5

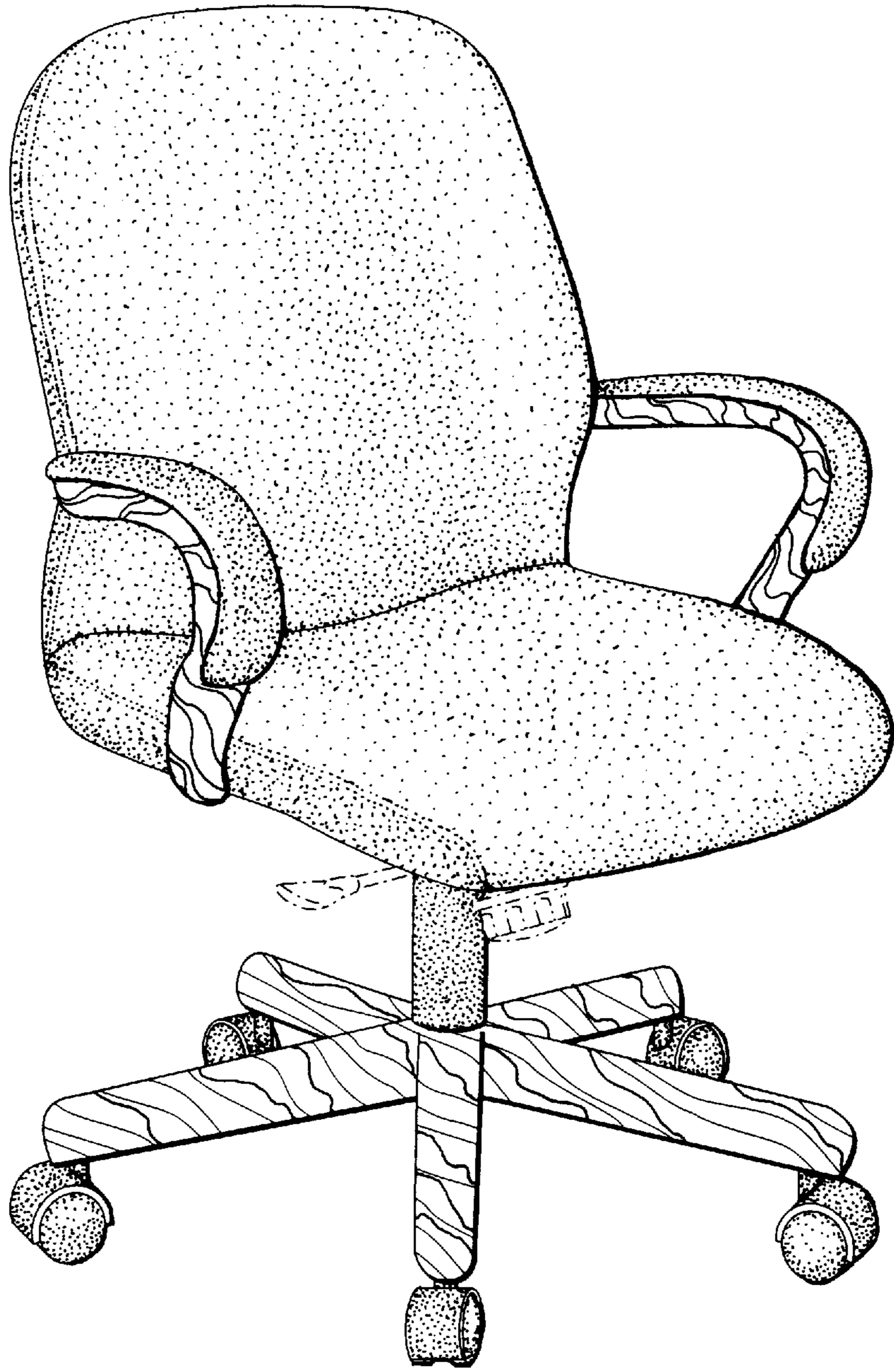


Fig. 6



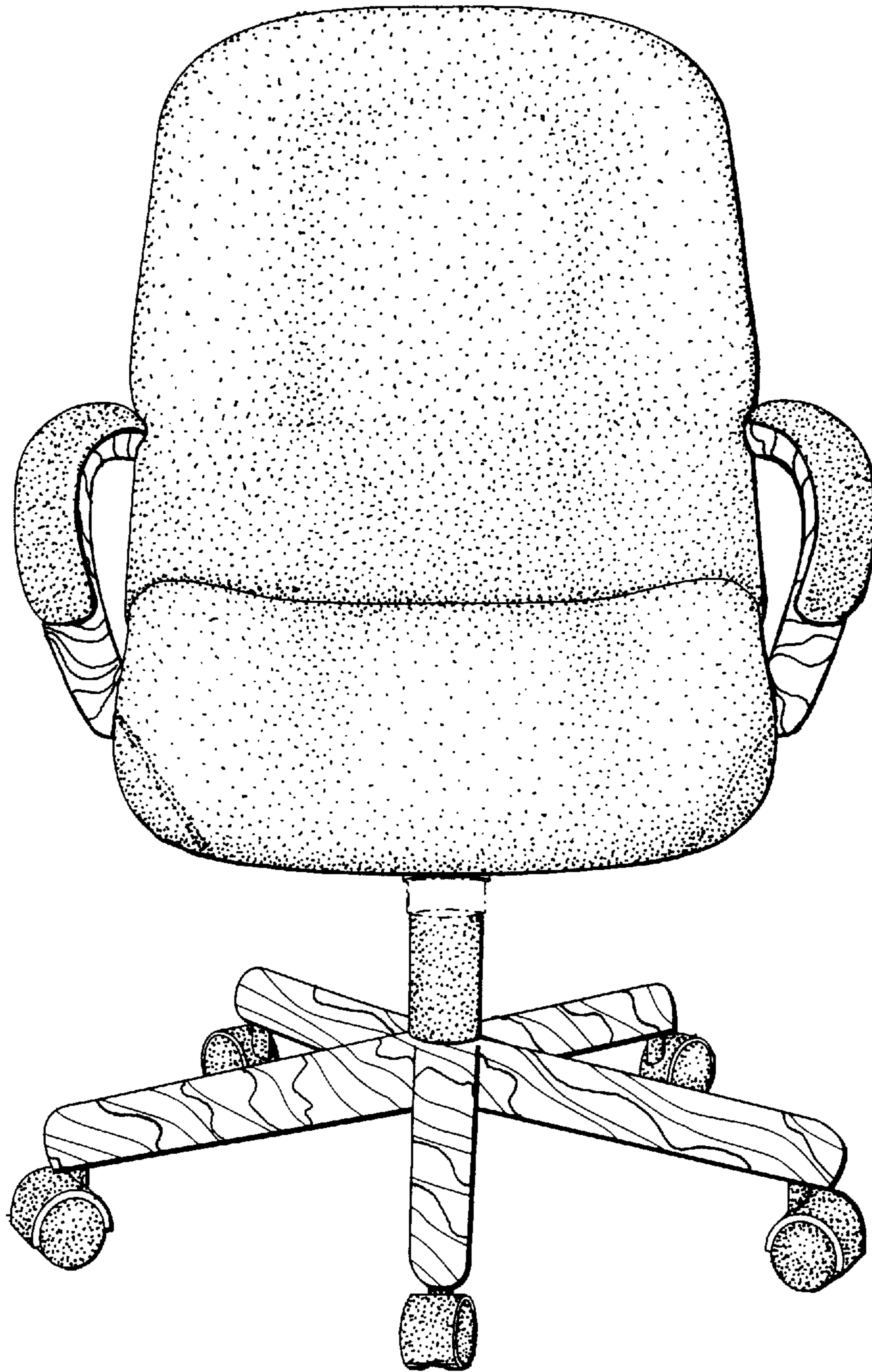


Fig. 7



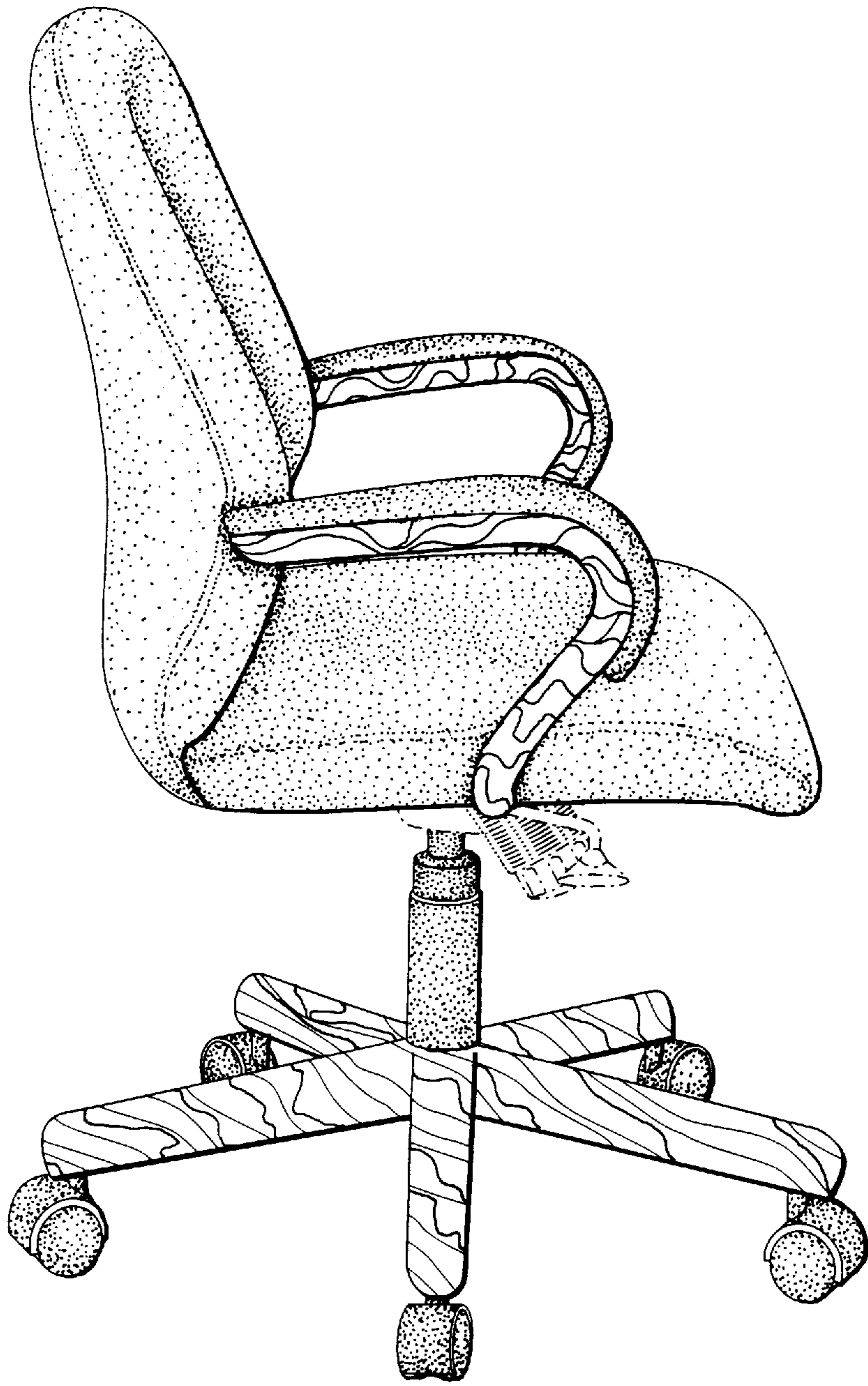


Fig. 8

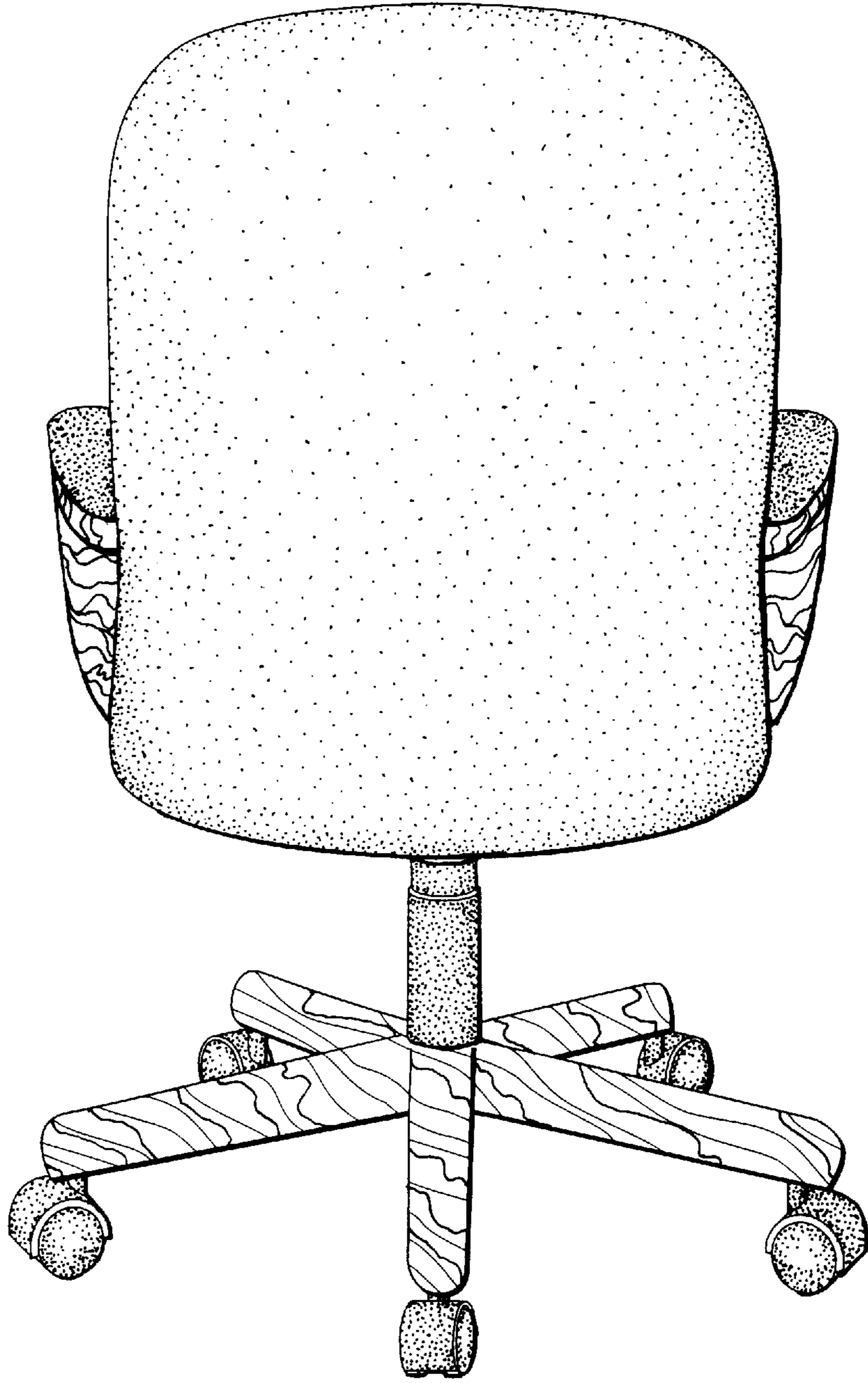


Fig. 9

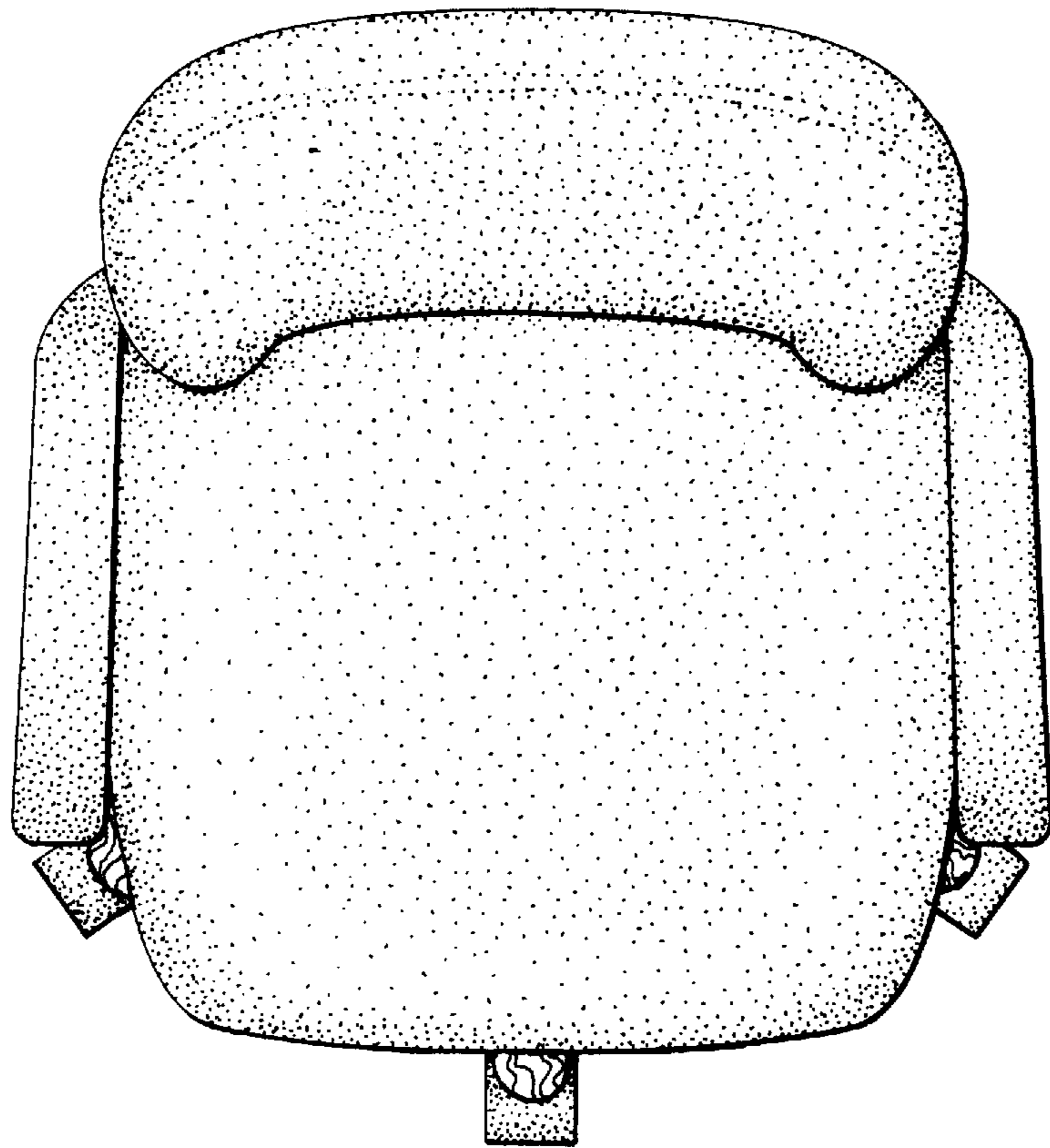


Fig. 10