



US00D403513S

United States Patent [19] Krohn

[11] **Patent Number: Des. 403,513**

[45] **Date of Patent: **Jan. 5, 1999**

[54] **GRADUATION PICTURE FRAME**

[75] Inventor: **Robert J. Krohn**, Port Richey, Fla.

[73] Assignee: **You/Nique Picture Frames Inc.**, Port Richey, Fla.

[**] Term: **14 Years**

[21] Appl. No.: **77,672**

[22] Filed: **Oct. 7, 1997**

[51] **LOC (6) Cl.** **06-07**

[52] **U.S. Cl.** **D6/303**

[58] **Field of Search** D6/300-314; 40/700,
40/711, 720, 745, 750, 754, 765, 780, 790,
791, 798, 799; D20/29; D11/133; D19/6;
D9/307

[56] **References Cited**

U.S. PATENT DOCUMENTS

| | | | | |
|------------|--------|---------------|-------|---------|
| D. 258,794 | 4/1981 | Miller | | D6/303 |
| D. 295,390 | 4/1988 | Maddox et al. | | D11/133 |
| D. 379,642 | 6/1997 | Pearson | | D20/11 |
| D. 389,513 | 1/1998 | Bell | | D19/6 |

Primary Examiner—Janice E. Seeger
Attorney, Agent, or Firm—Young & Basile, P.C.

[57] **CLAIM**

The ornamental design for a graduation picture frame, as shown and described.

DESCRIPTION

FIG. 1 is a front elevational view of a graduation picture frame, showing my new design, with raised ridges and a recessed aperture for receiving a picture, and with the backing removed for convenience of illustration;

FIG. 2 is a left side elevational view of the graduation picture frame;

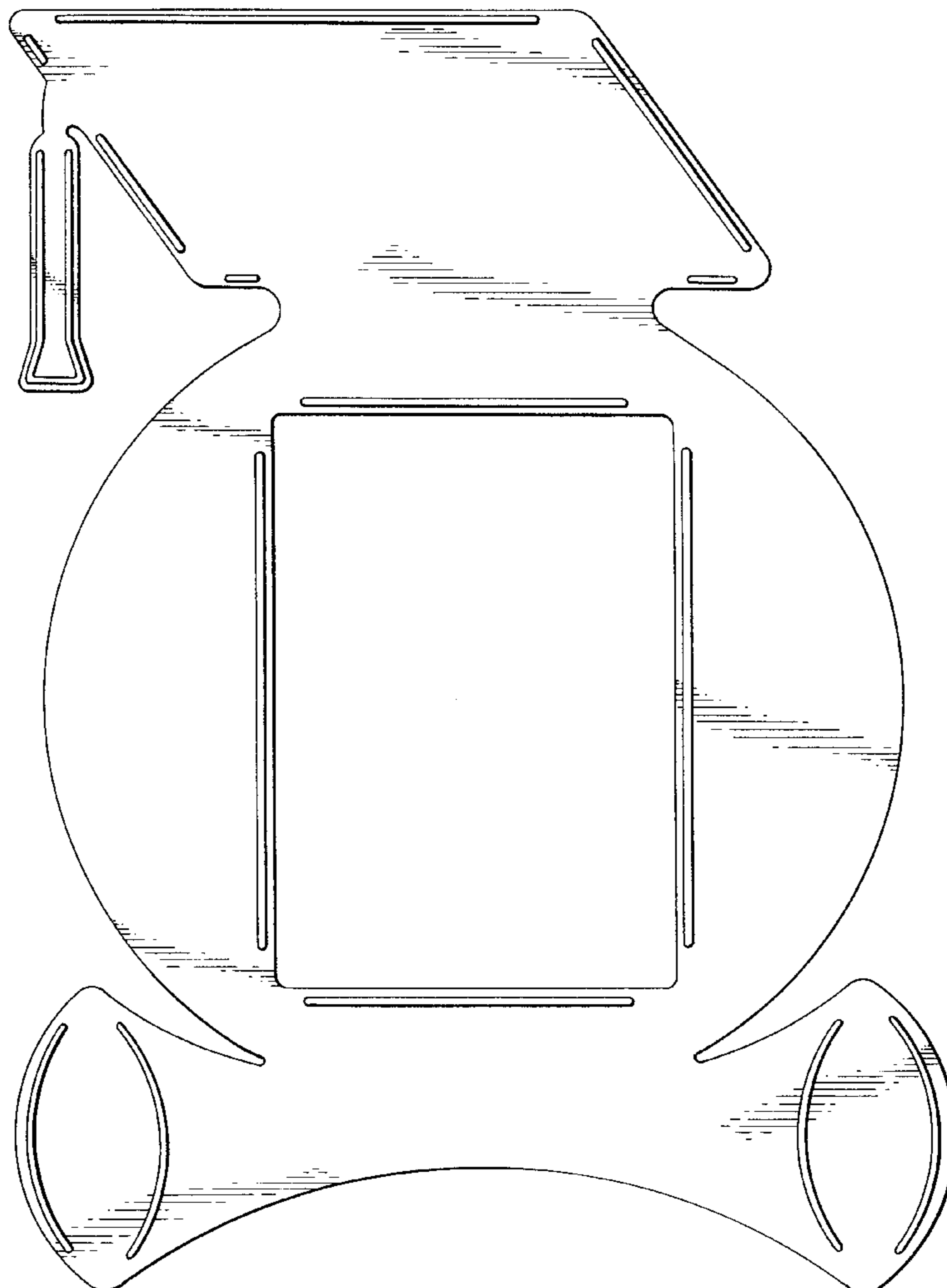
FIG. 3 is a top view of the graduation picture frame;

FIG. 4 is a rear elevational view showing the frame support members and the outline of a removable cover for placing and retaining the graduation picture in place within the recessed aperture;

FIG. 5 is a right side elevational view of the graduation picture frame; and,

FIG. 6 is a bottom view of the graduation picture frame.

1 Claim, 3 Drawing Sheets



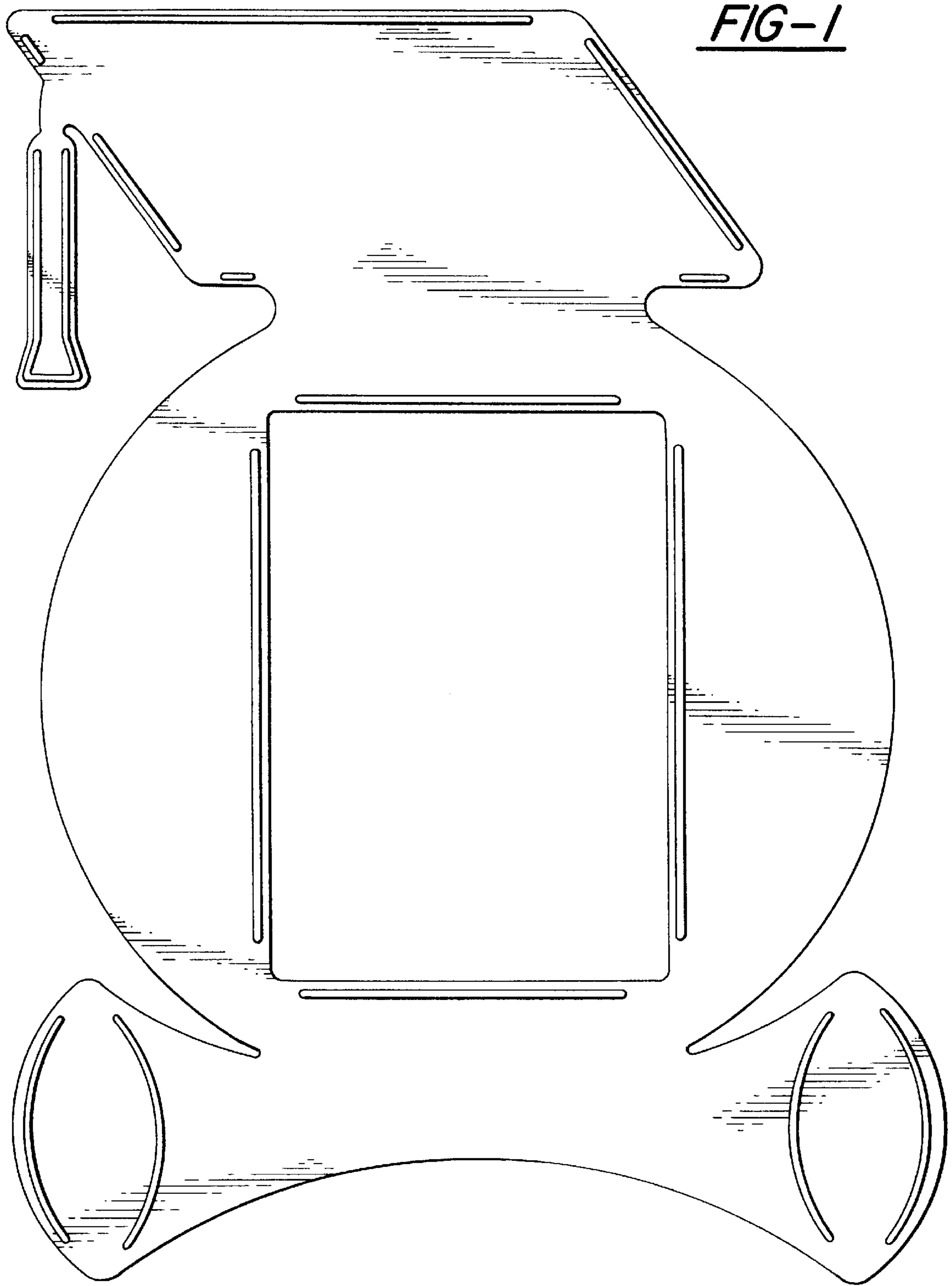




FIG-2



FIG-3

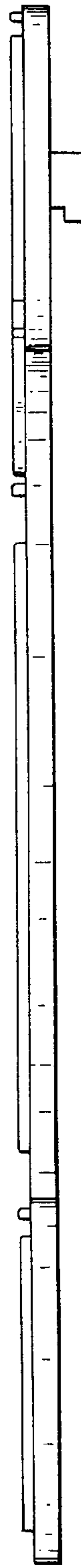


FIG-5

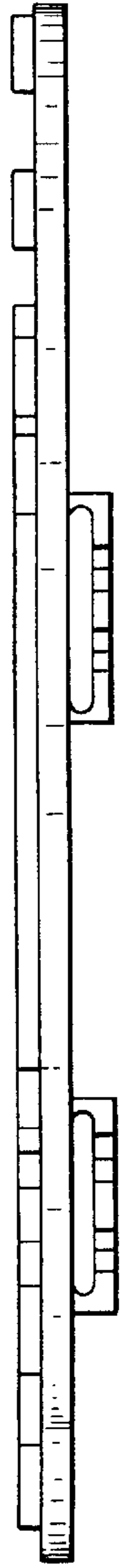


FIG-6

FIG-4

