

US00D403505S

# United States Patent [19] Clark

[11] **Patent Number: Des. 403,505**

[45] **Date of Patent: \*\*Jan. 5, 1999**

[54] **EYEGLASS CASE**  
[75] **Inventor: Stewart F. Clark, Salt Lake City, Utah**  
[73] **Assignee: Glassafe, Inc., Salt Lake City, Utah**  
[\*\*] **Term: 14 Years**

5,032,019 7/1991 Burchett .  
5,052,550 10/1991 Pfenning ..... 206/5  
5,188,322 2/1993 Kinstrey .  
5,310,048 5/1994 Stechler ..... 206/5  
5,513,744 5/1996 Yabarra ..... 206/5  
5,526,924 6/1996 Klutznick ..... 206/5  
5,626,224 5/1997 Clark et al. .... 206/5

[21] **Appl. No.: 70,265**  
[22] **Filed: May 2, 1997**

[51] **LOC (6) Cl. .... 03-01**  
[52] **U.S. Cl. .... D3/265**  
[58] **Field of Search ..... D3/219, 263, 264,  
D3/265, 266; 206/5, 5.1, 6; 248/902; D6/632**

### FOREIGN PATENT DOCUMENTS

654244 12/1937 Germany .  
254506 7/1926 United Kingdom .

*Primary Examiner*—Louis S. Zarfaz  
*Assistant Examiner*—Catherine R. Oliver  
*Attorney, Agent, or Firm*—Workman, Nydegger & Seeley

### [56] **References Cited**

#### U.S. PATENT DOCUMENTS

D. 244,490 5/1977 Peterson ..... D3/265  
D. 298,383 11/1988 Devore et al. .... D3/265  
D. 318,757 8/1991 Beanum ..... D3/265  
D. 353,712 12/1994 Aalders ..... D3/265  
D. 355,323 2/1995 Melk ..... D6/632  
D. 379,263 5/1997 Sussman ..... D3/264  
2,455,079 11/1948 Mercer ..... 206/6  
2,650,700 9/1953 Wolf ..... 206/5  
3,559,798 2/1971 Jacobsen ..... 206/5  
3,819,033 6/1974 Hueber ..... 206/5  
3,938,655 2/1976 Romolt ..... 206/5  
4,696,401 9/1987 Wallace .

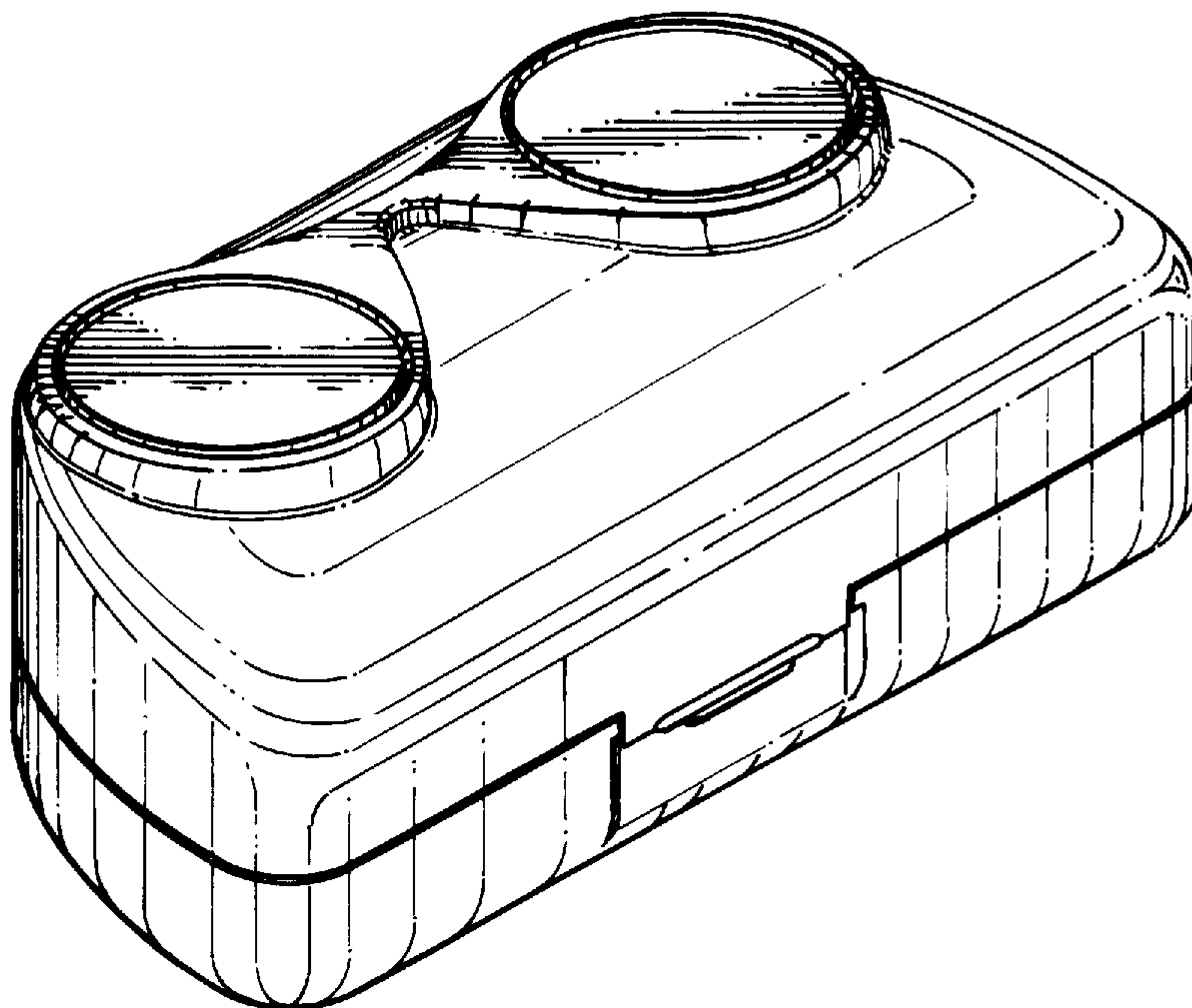
### [57] **CLAIM**

The ornamental design for an eyeglass case, as shown and described.

### DESCRIPTION

FIG. 1 is a perspective view of the eyeglass case showing the design;  
FIG. 2 is a right side elevational view thereof, the left side elevational view being the mirror image;  
FIG. 3 is a rear elevational view thereof;  
FIG. 4 is a top plan view thereof;  
FIG. 5 is a front elevational view thereof; and,  
FIG. 6 is a bottom plan view thereof.

**1 Claim, 2 Drawing Sheets**



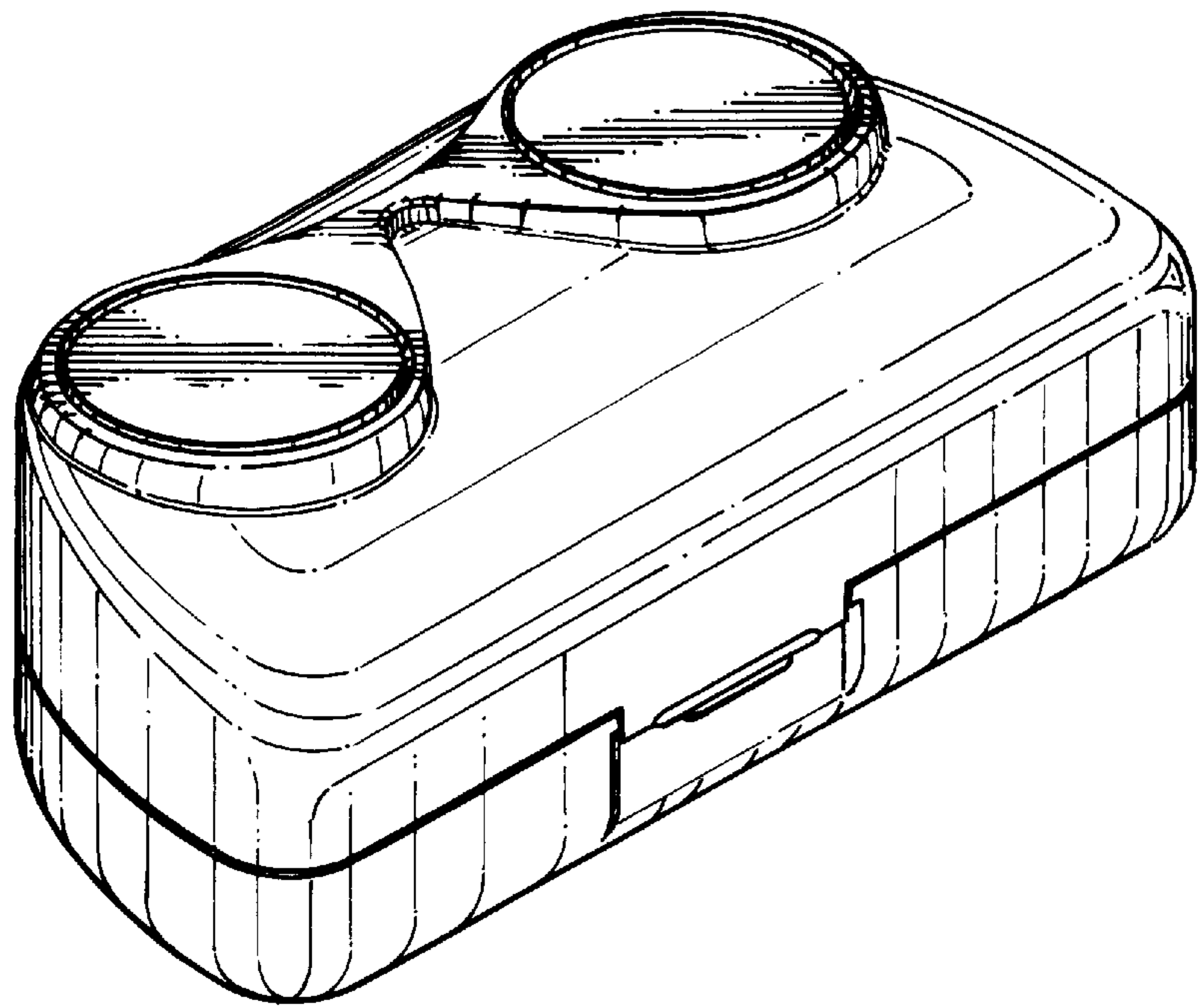


FIG. 1

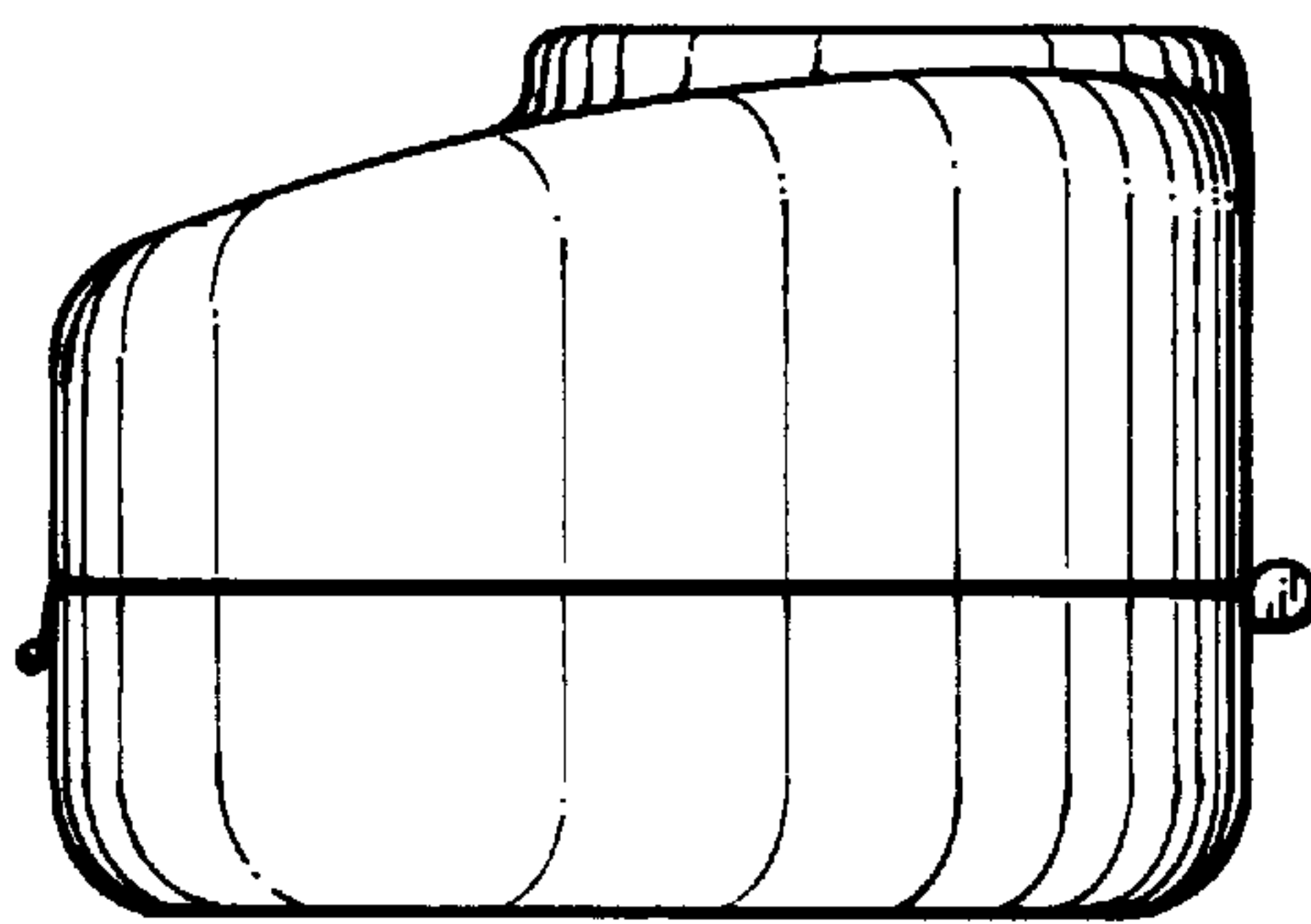


FIG. 2

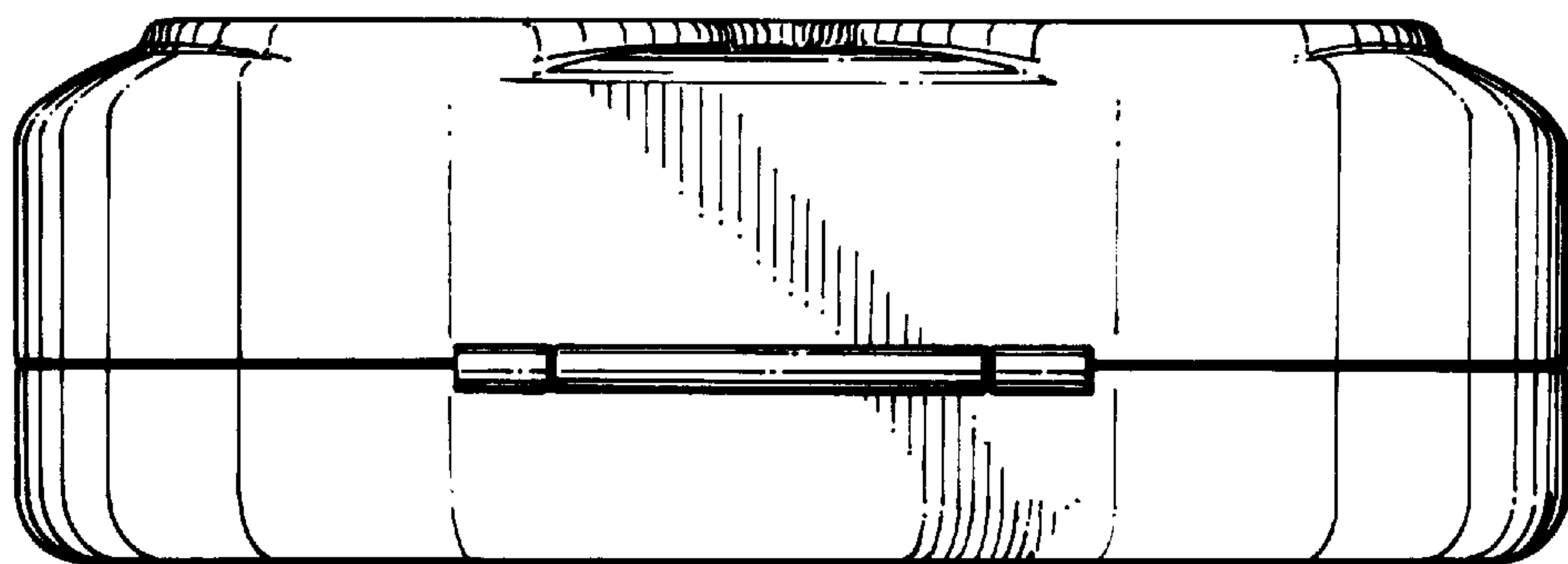


FIG. 3

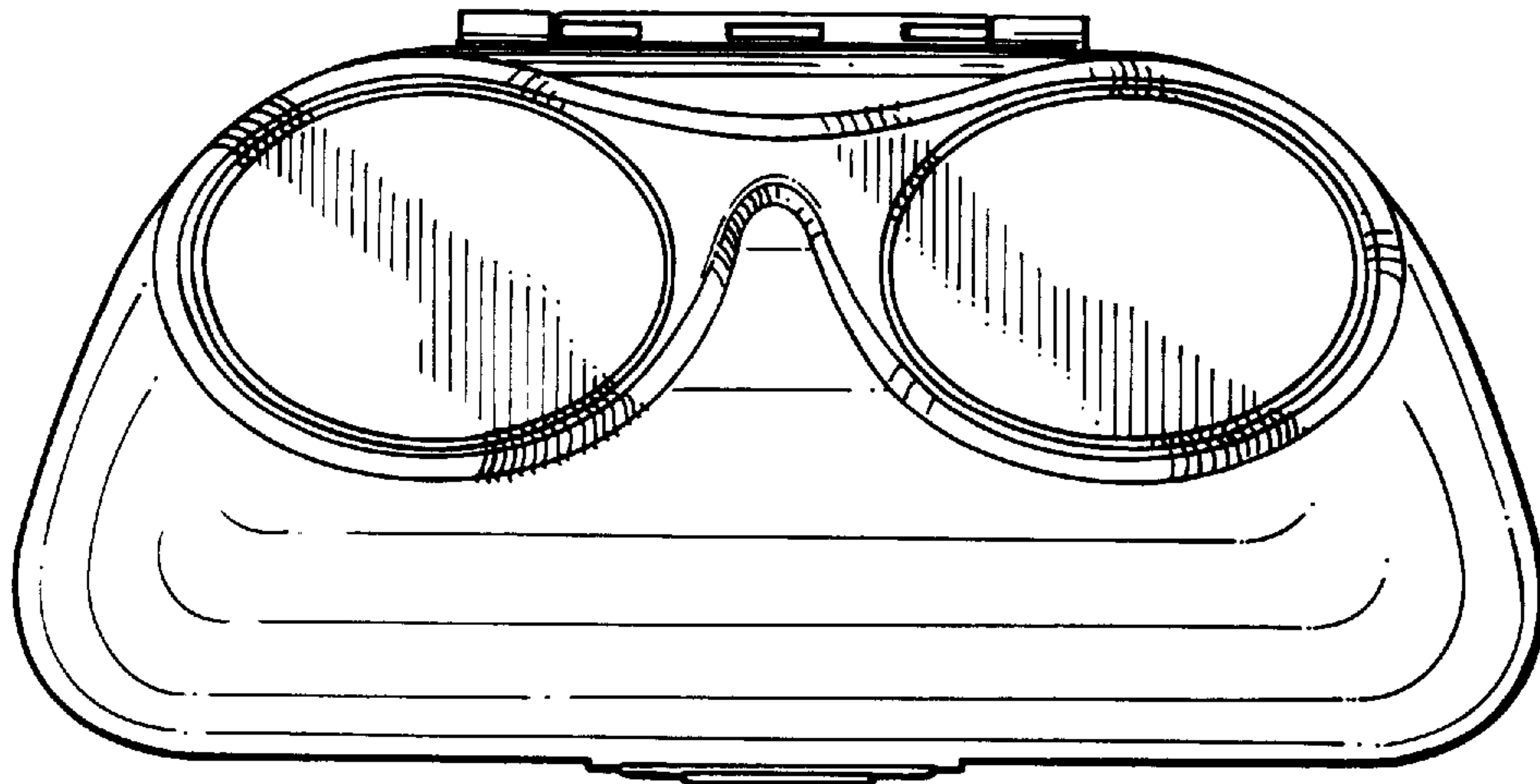


FIG. 4

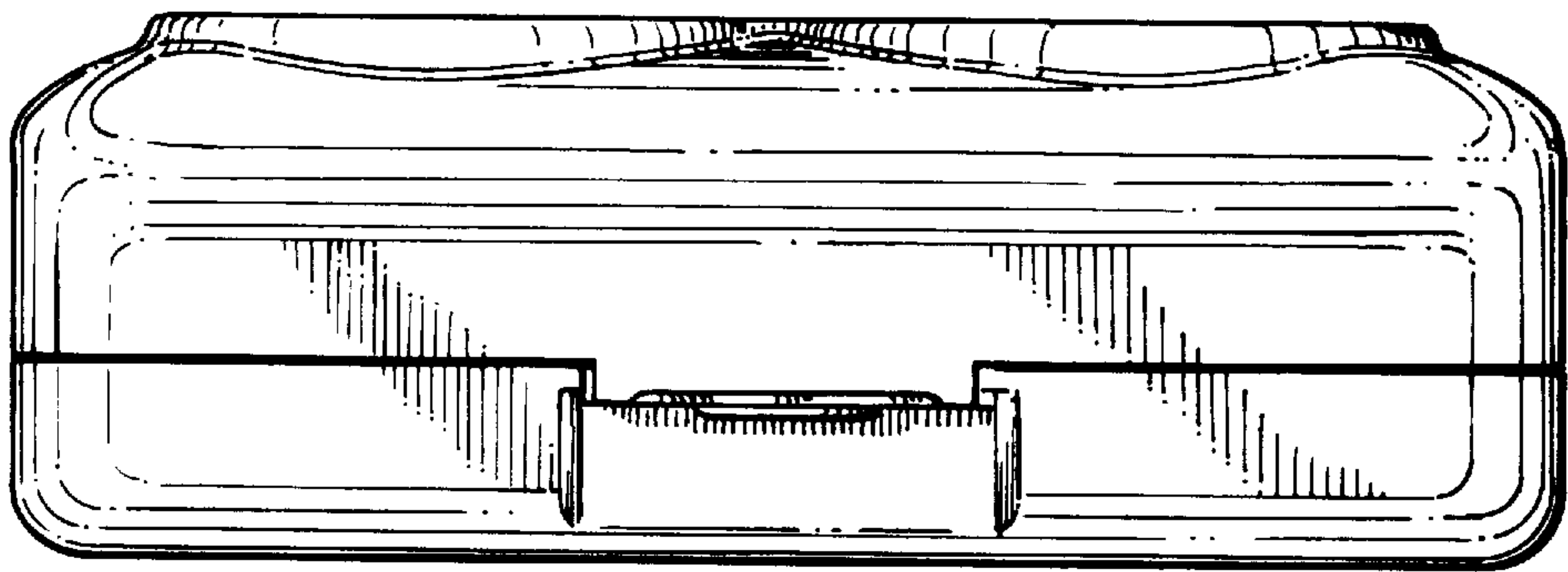


FIG. 5

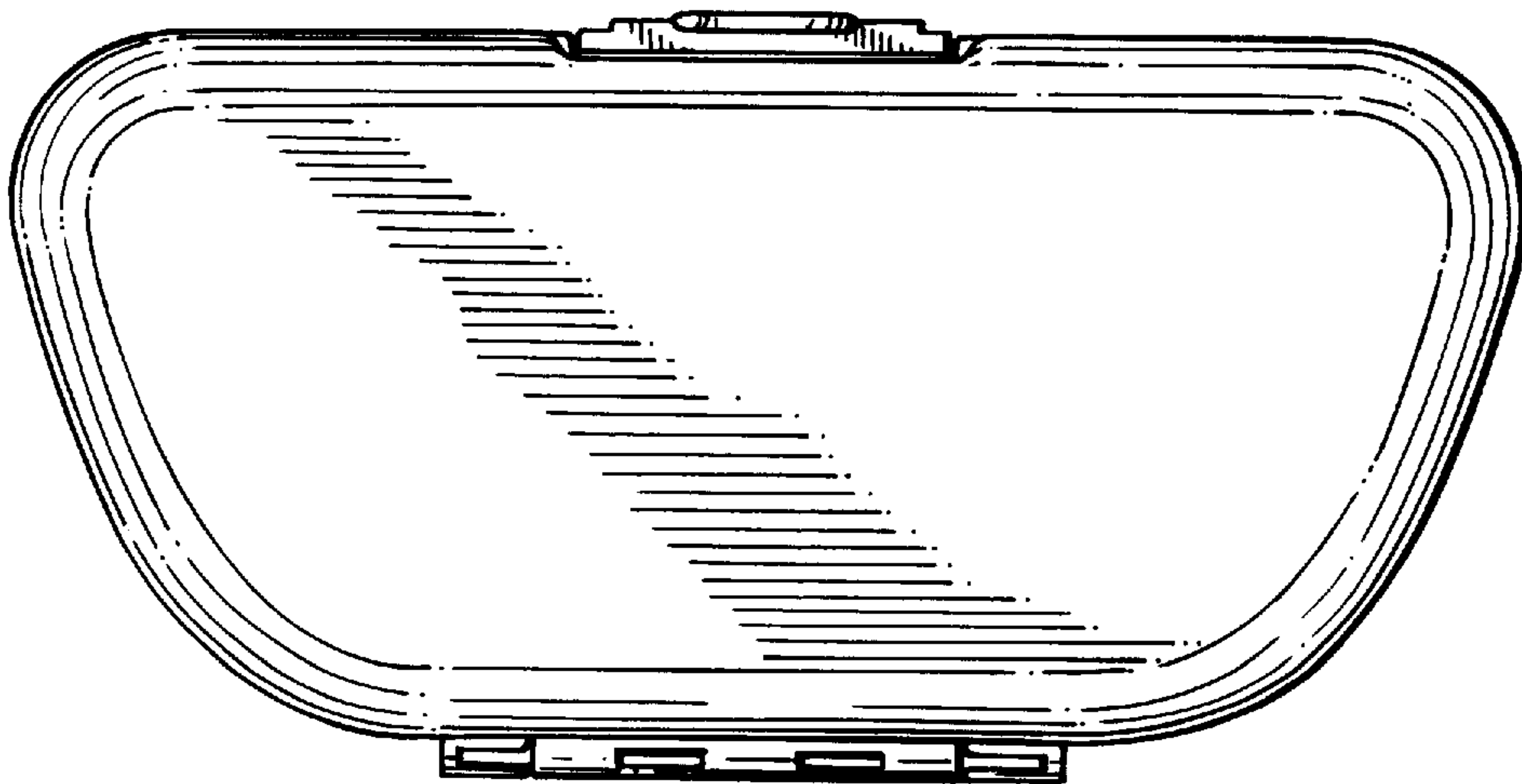


FIG. 6