



US00D403500S

United States Patent [19]
Winter

[11] **Patent Number: Des. 403,500**

[45] **Date of Patent: **Jan. 5, 1999**

[54] **KEY CHAIN**

[76] Inventor: **Robert R. Winter**, P.O. Box 1046, San Juan Capistrano, Calif. 92693

[**] Term: **14 Years**

[21] Appl. No.: **69,799**

[22] Filed: **Apr. 17, 1997**

[51] **LOC (6) Cl.** **03-01**

[52] **U.S. Cl.** **D3/211**

[58] **Field of Search** D3/207-212; D8/38; D21/228; 441/74

[56] **References Cited**

U.S. PATENT DOCUMENTS

D. 269,668	7/1983	Schweitzer	D12/303
D. 307,980	5/1990	Walters	D3/211
D. 323,691	2/1992	Olson	D21/228
D. 326,040	5/1992	Wysopal	D3/210
3,308,493	3/1967	Lambach	441/74
5,385,494	1/1995	Wilhelmi	441/74

Primary Examiner—Ralf Seifert
Attorney, Agent, or Firm—Crockett & Fish

[57] **CLAIM**

The ornamental design of a key chain, as shown and described.

DESCRIPTION

FIG. 1 is a perspective view of a key chain showing my new

design;

FIG. 2 is a side view of the embodiment of FIG. 1;

FIG. 3 is a bottom view of the embodiment of FIG. 1;

FIG. 4 is a top view of the embodiment of FIG. 1;

FIG. 5 is a front view of the embodiment of FIG. 1;

FIG. 6 is a back view of the embodiment of FIG. 1;

FIG. 7 is a perspective view of a key chain showing a second embodiment of my new design;

FIG. 8 is a side view of the embodiment of FIG. 7;

FIG. 9 is a top view of the embodiment of FIG. 7;

FIG. 10 is a bottom view of the embodiment of FIG. 7;

FIG. 11 is a front view of the embodiment of FIG. 7;

FIG. 12 is a back view of the embodiment of FIG. 7;

FIG. 13 is a perspective view of a key chain showing a third embodiment of my new design;

FIG. 14 is a side view of the embodiment of FIG. 13;

FIG. 15 is a bottom view of the embodiment of FIG. 13;

FIG. 16 is a top view of the embodiment of FIG. 13;

FIG. 17 is a front view of the embodiment of FIG. 13;

FIG. 18 is a back view of the embodiment of FIG. 13;

FIG. 19 is a perspective view of a key chain showing a fourth embodiment of my new design;

FIG. 20 is a side view of the embodiment of FIG. 19;

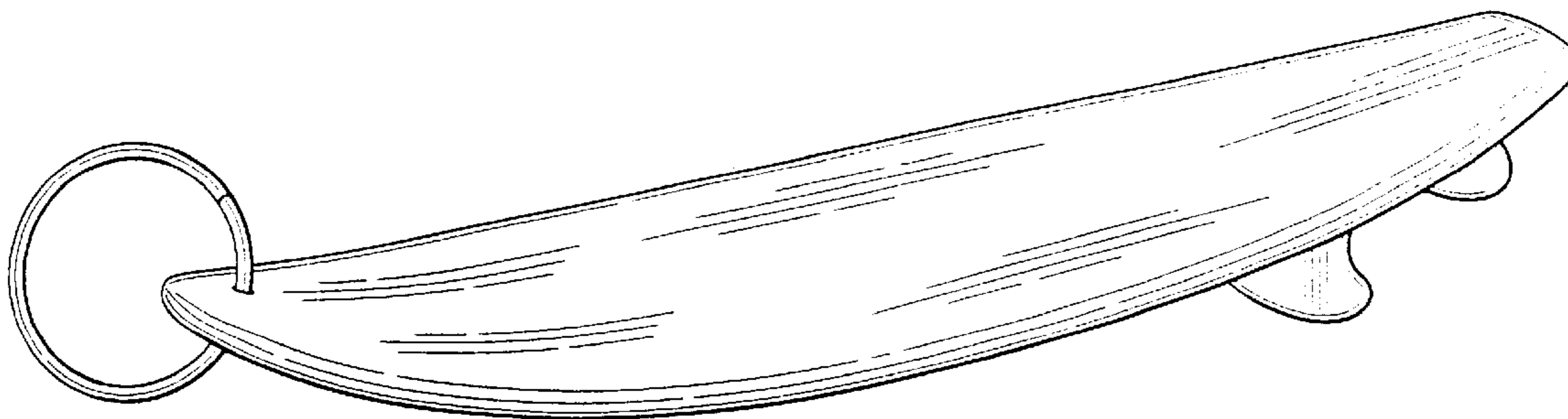
FIG. 21 is a bottom view of the embodiment of FIG. 19;

FIG. 22 is a top view of the embodiment of FIG. 19;

FIG. 23 is a front view of the embodiment of FIG. 19; and,

FIG. 24 is a back view of the embodiment of FIG. 19.

1 Claim, 8 Drawing Sheets



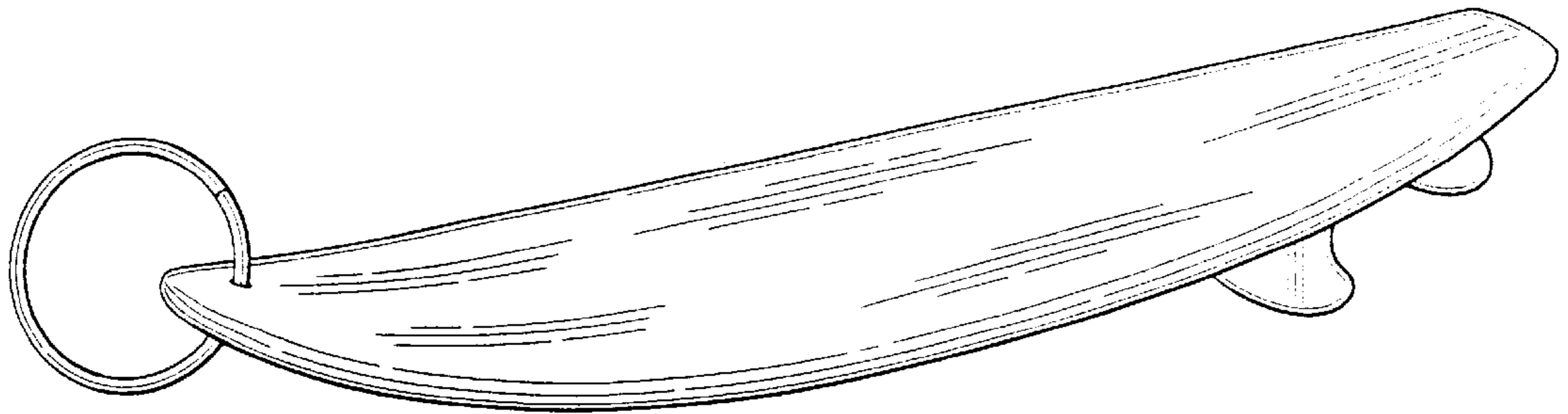


Fig. 1

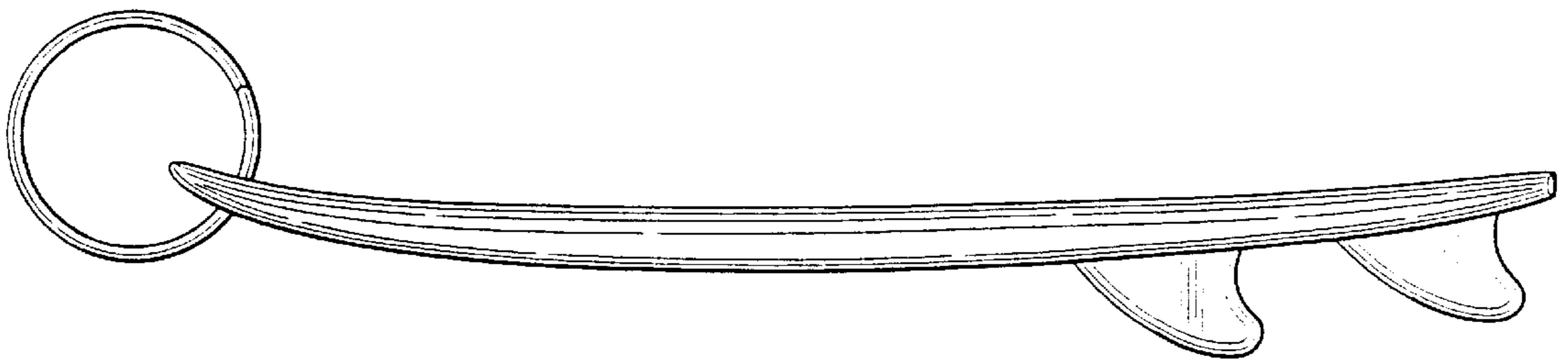


Fig. 2

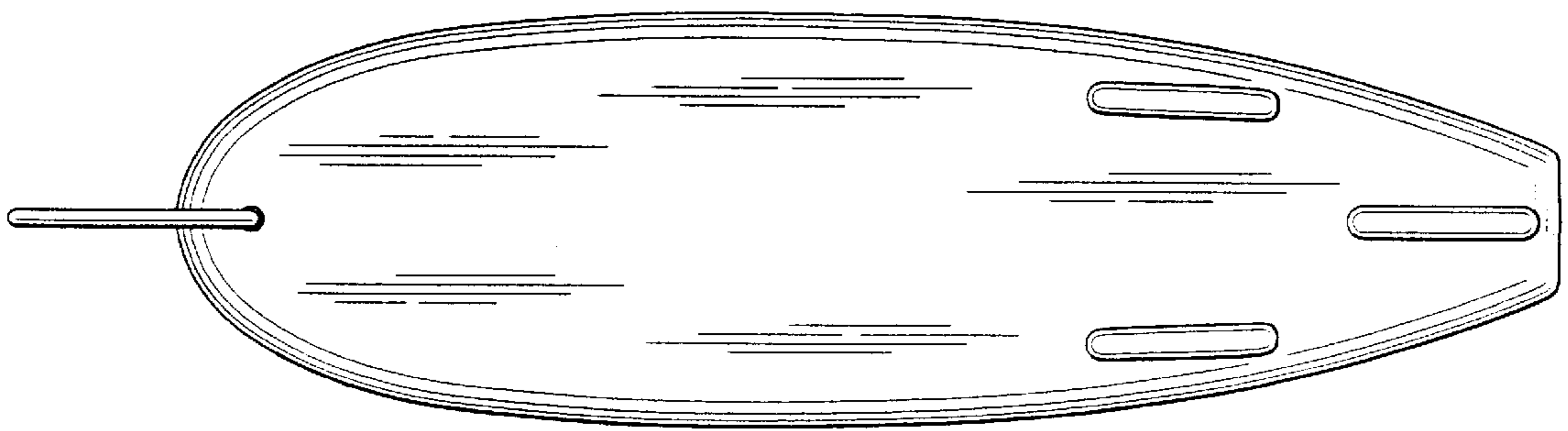


Fig. 3

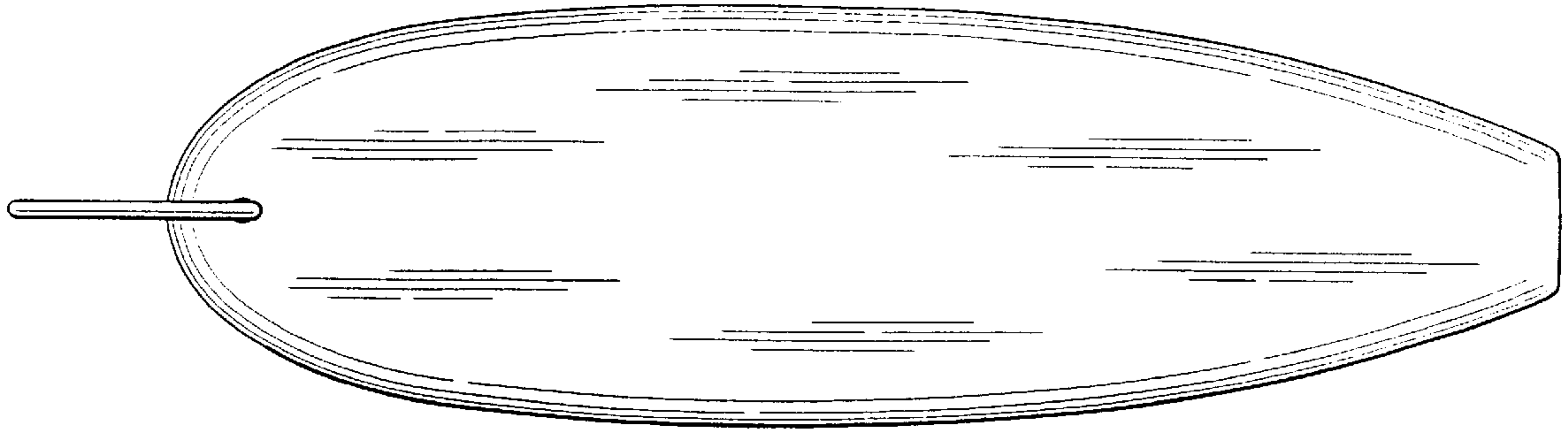


Fig. 4

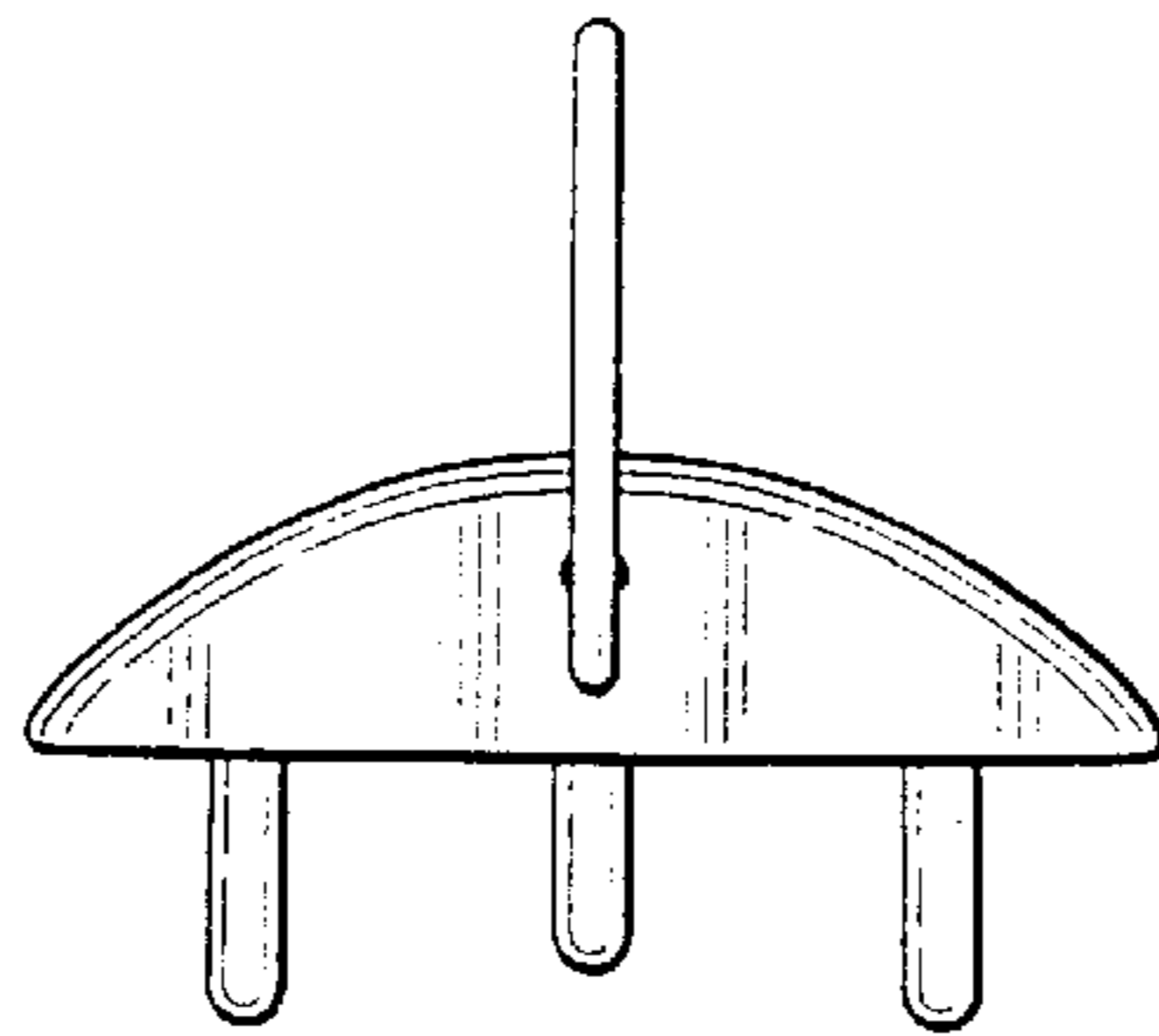


Fig. 5

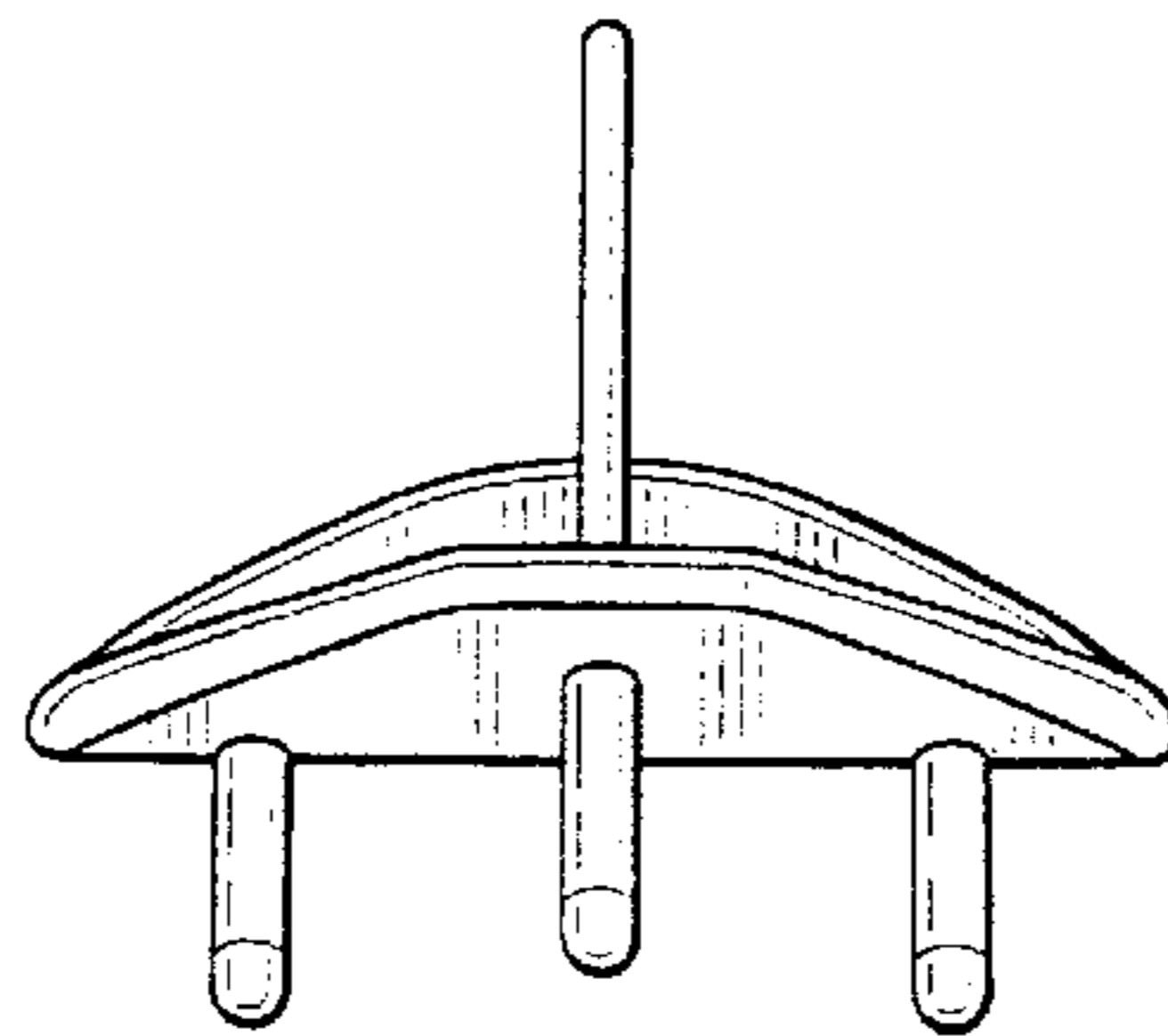


Fig. 6

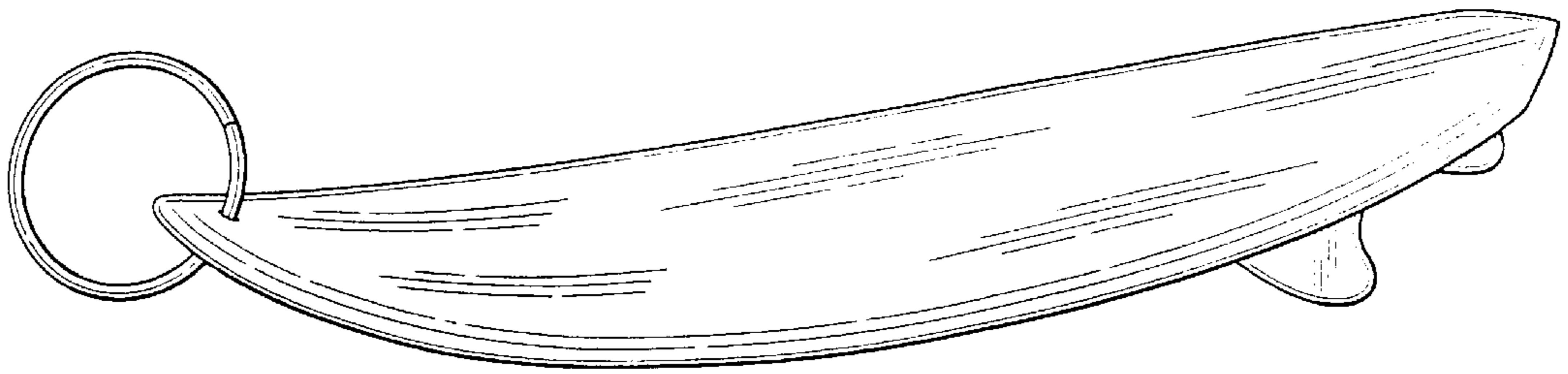


Fig. 7

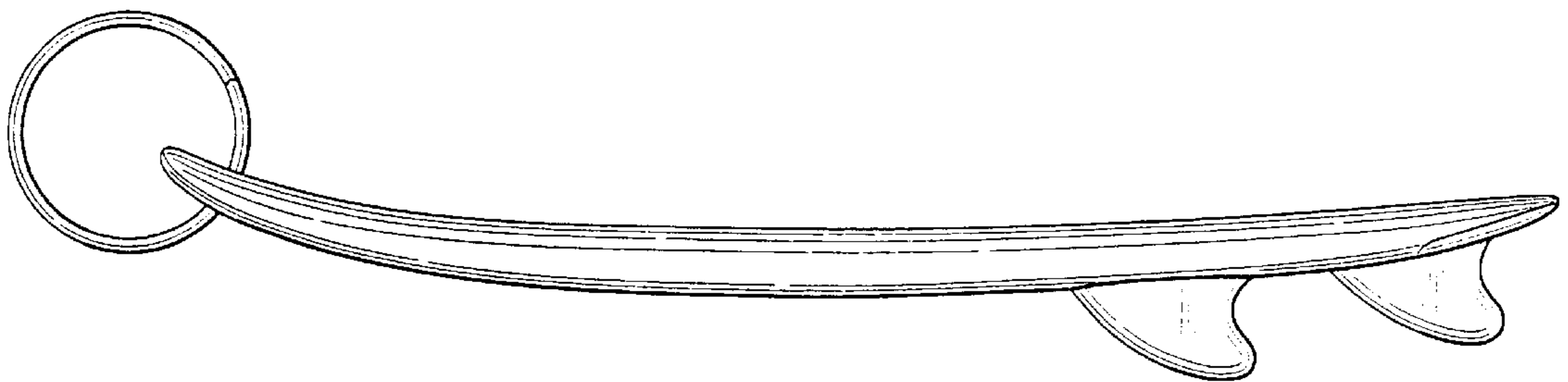


Fig. 8

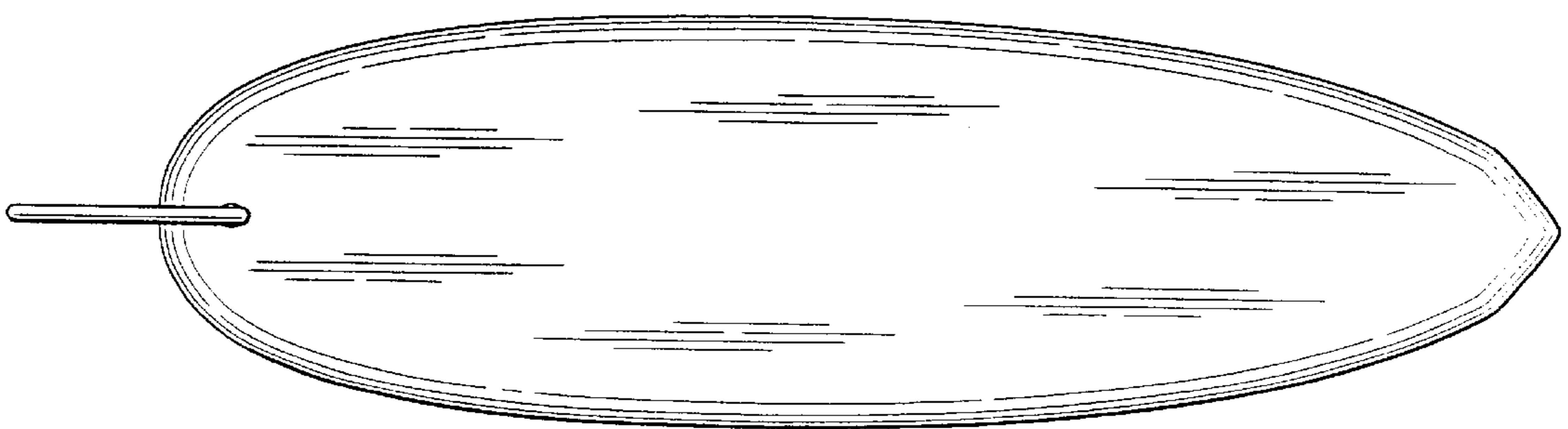


Fig. 9

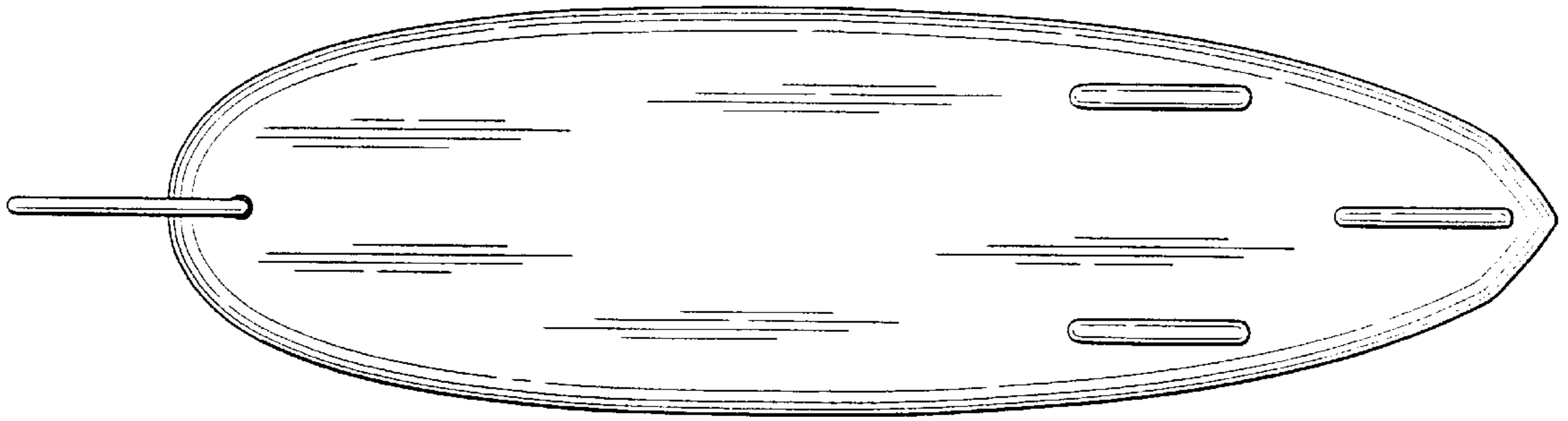


Fig. 10

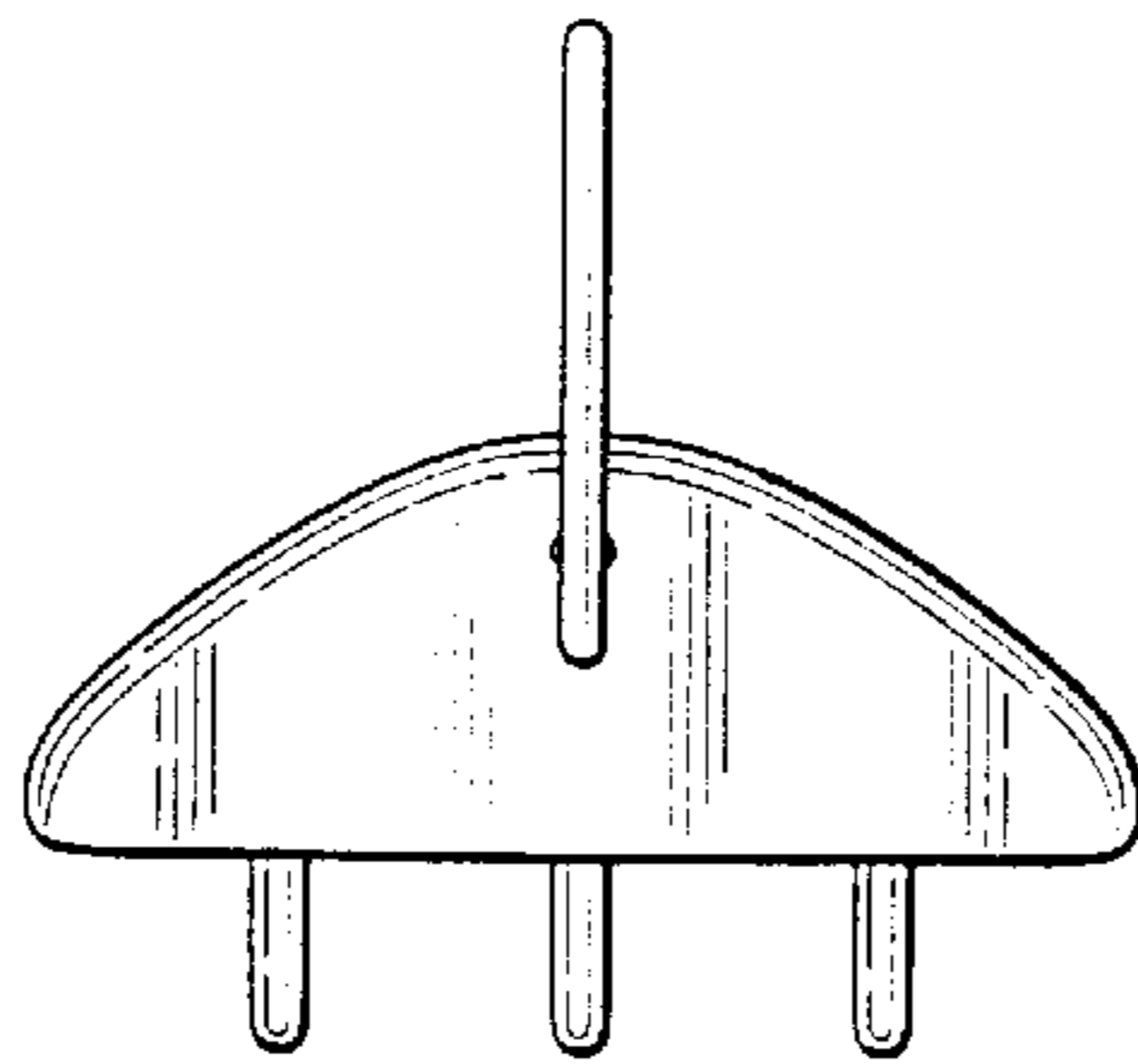


Fig. 11

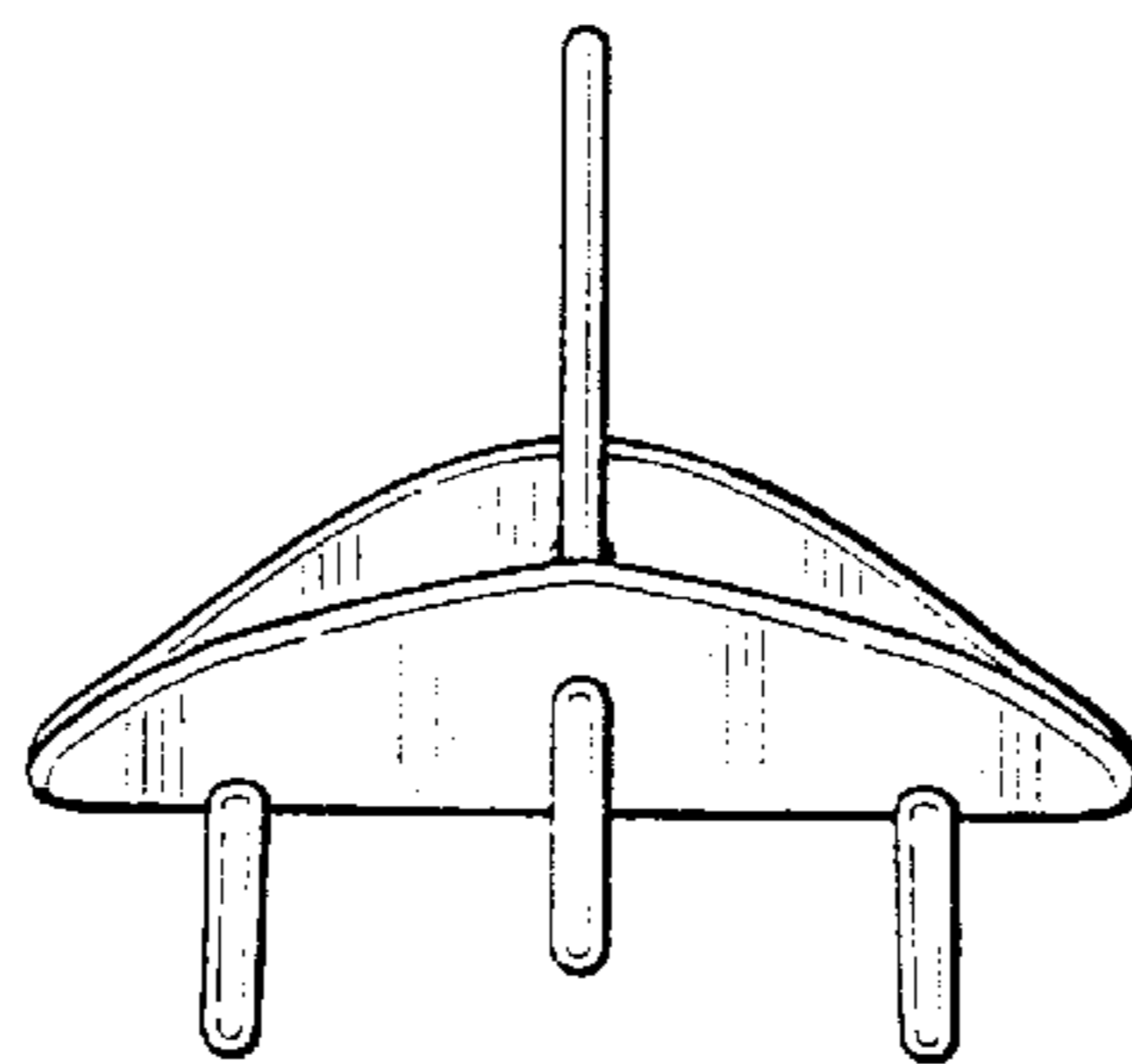


Fig. 12

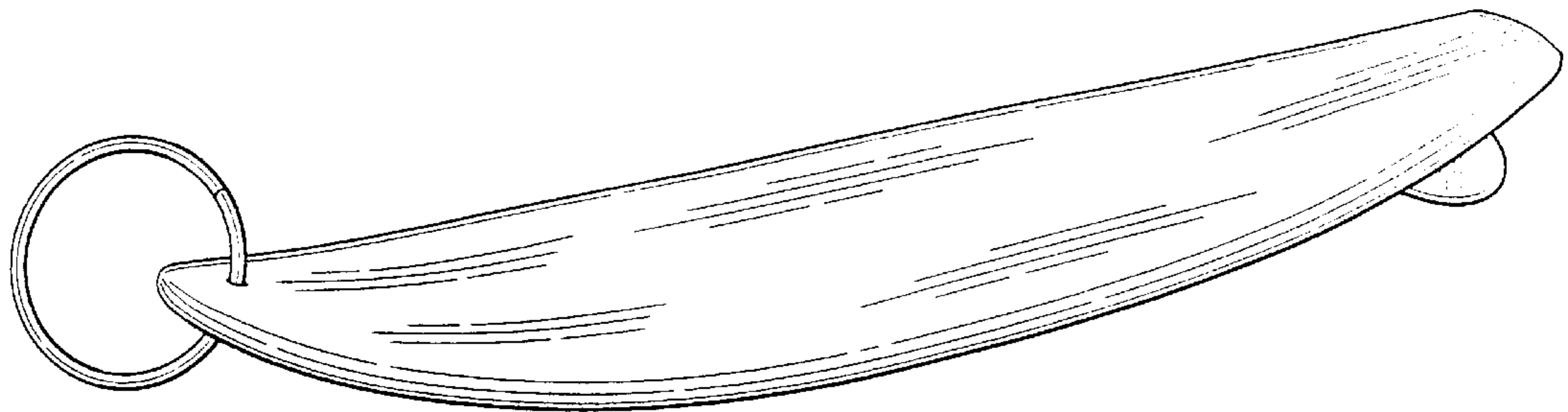


Fig. 13

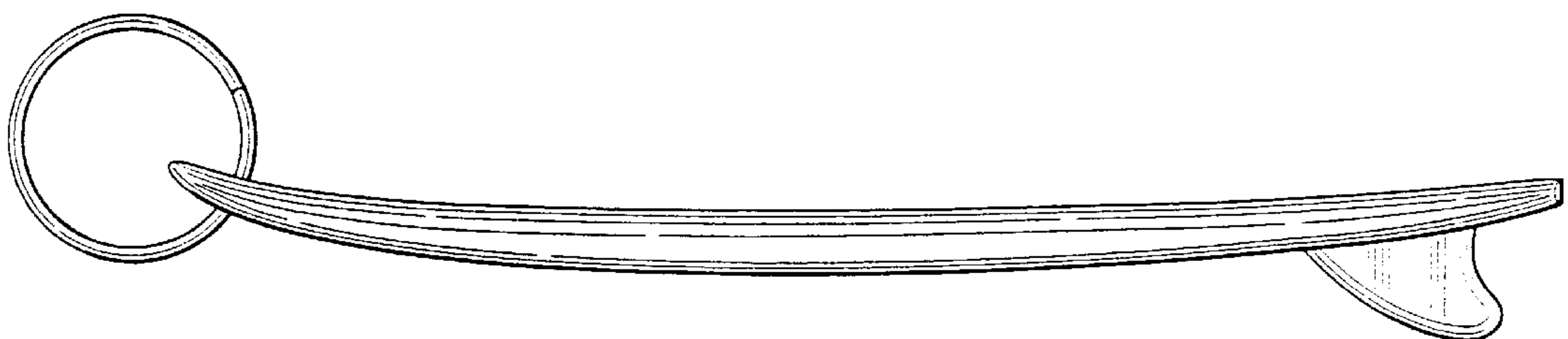


Fig. 14

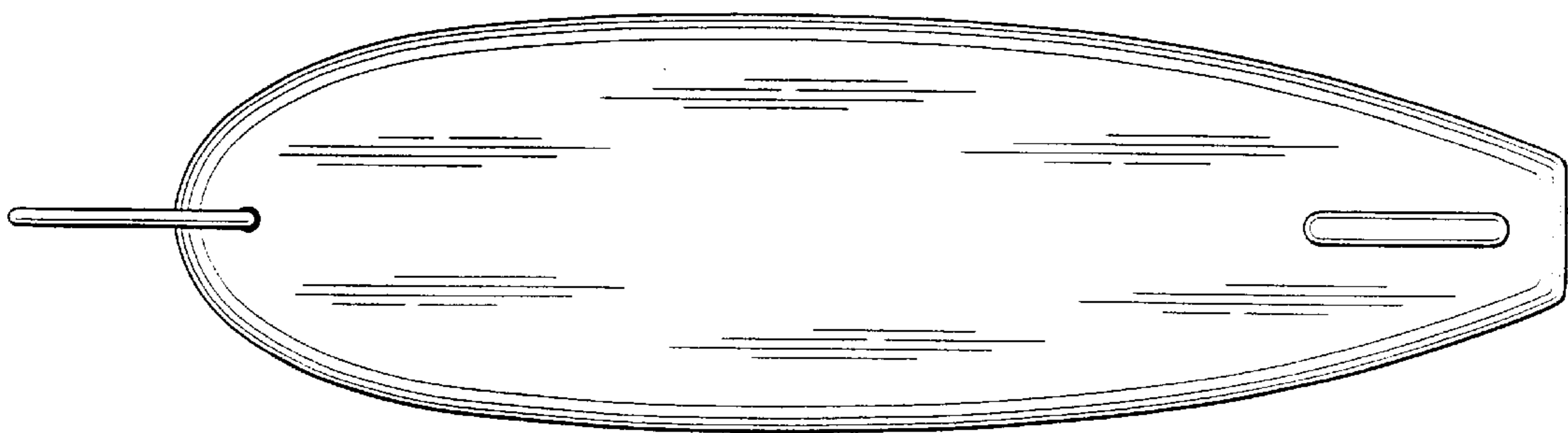


Fig. 15

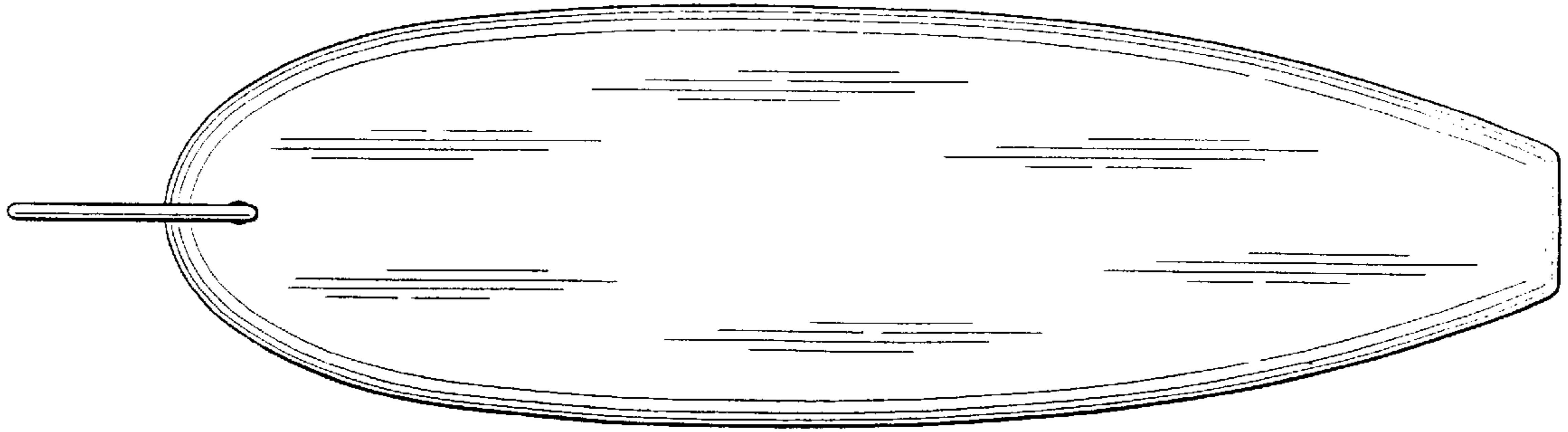


Fig. 16

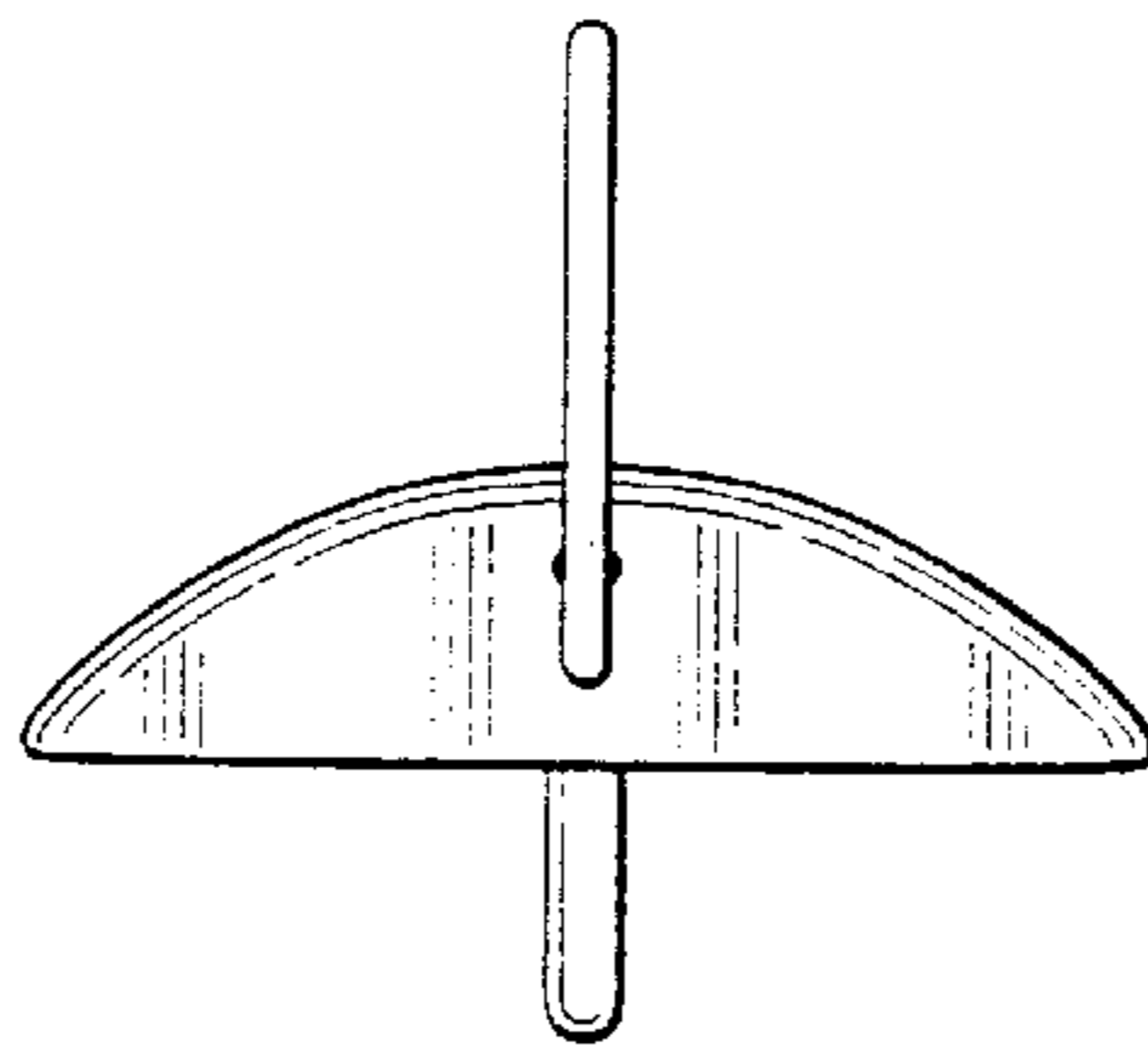


Fig. 17

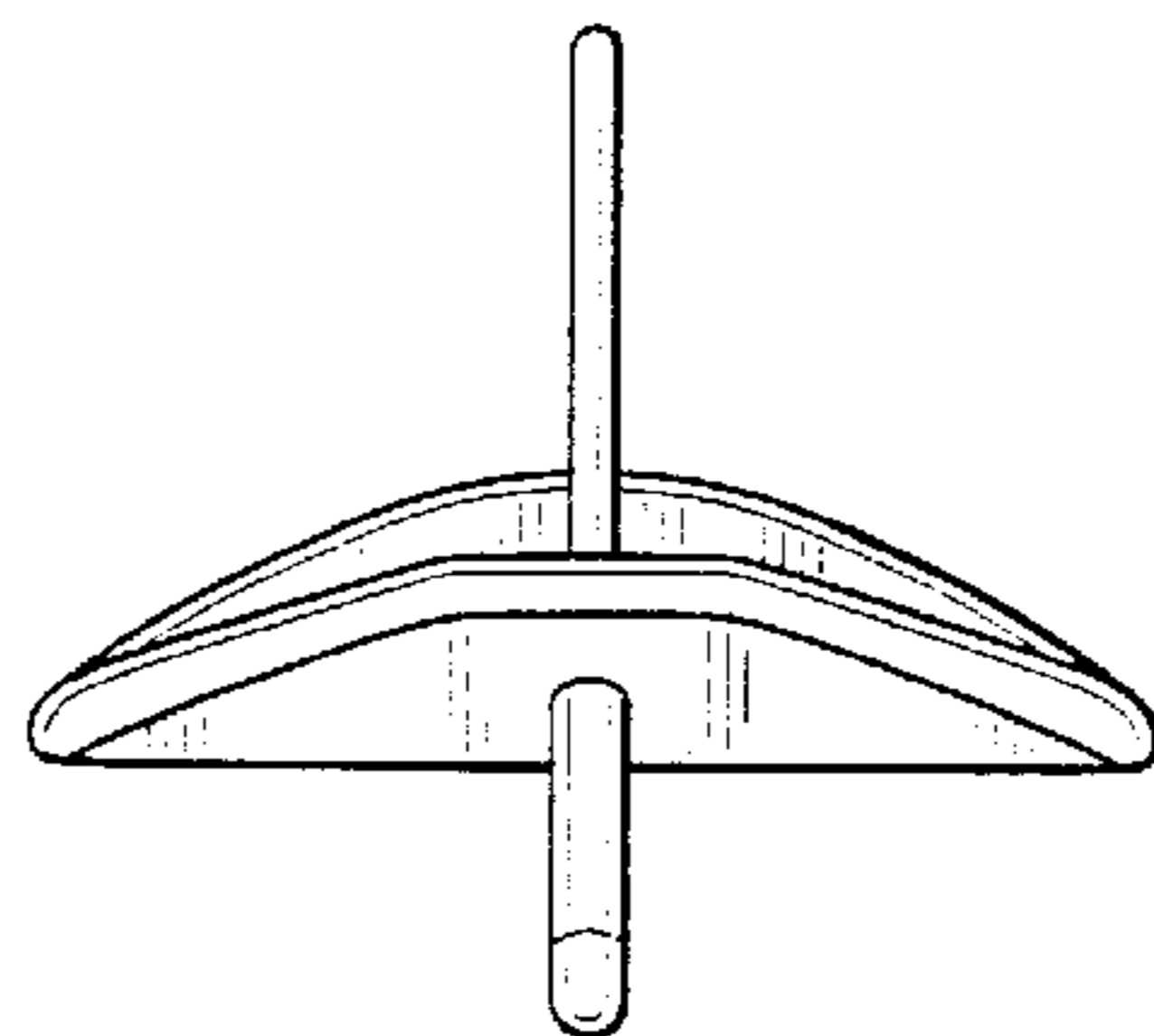


Fig. 18

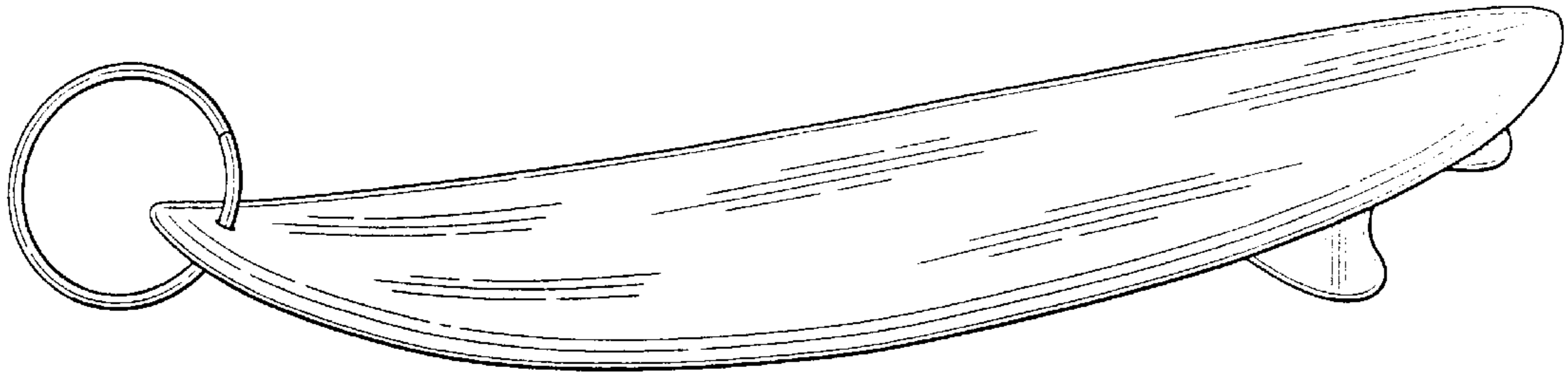


Fig. 19

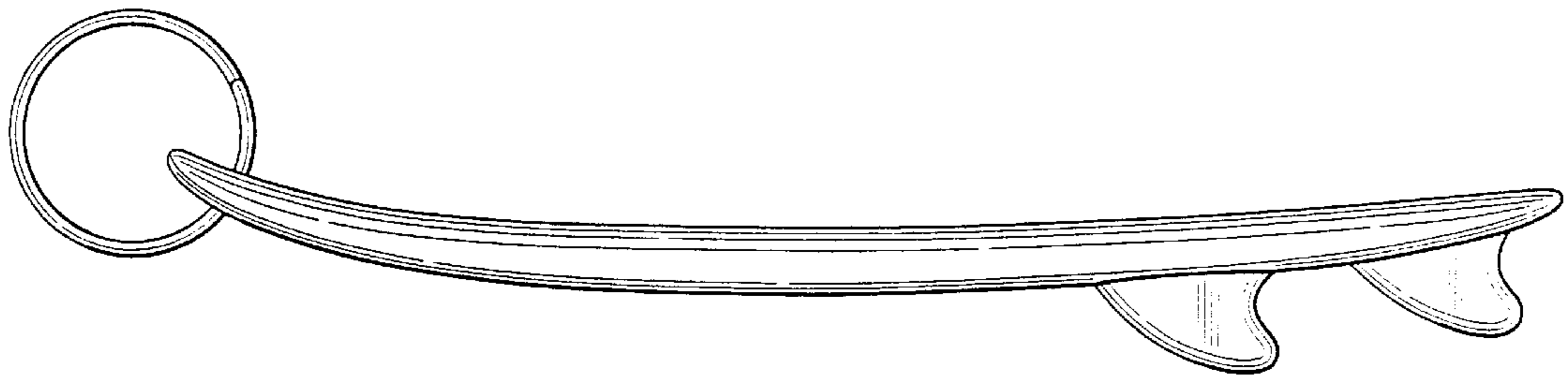


Fig. 20

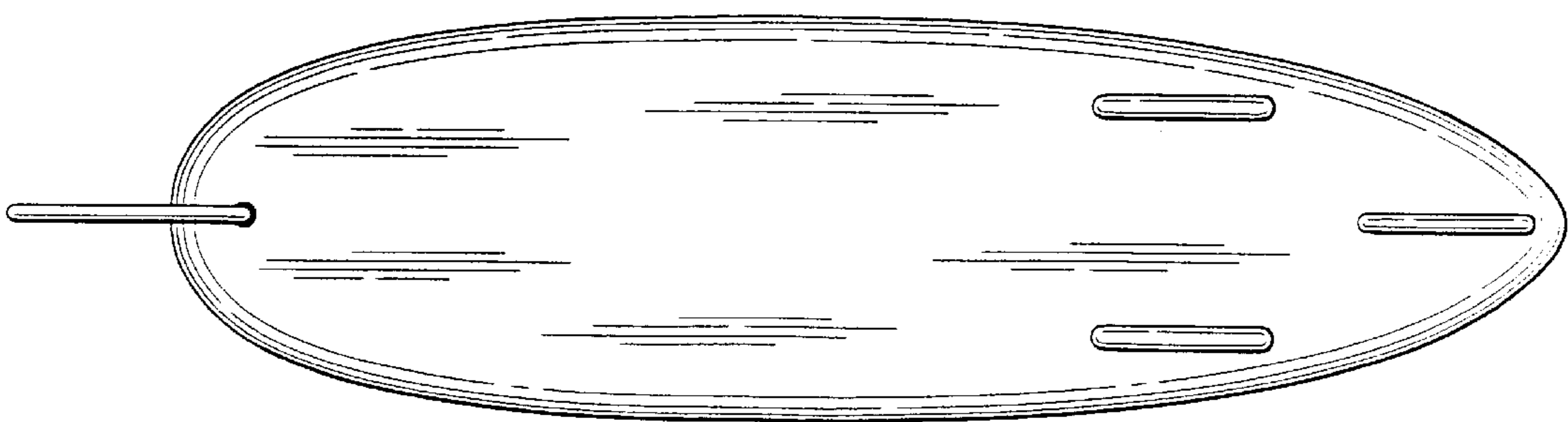


Fig. 21

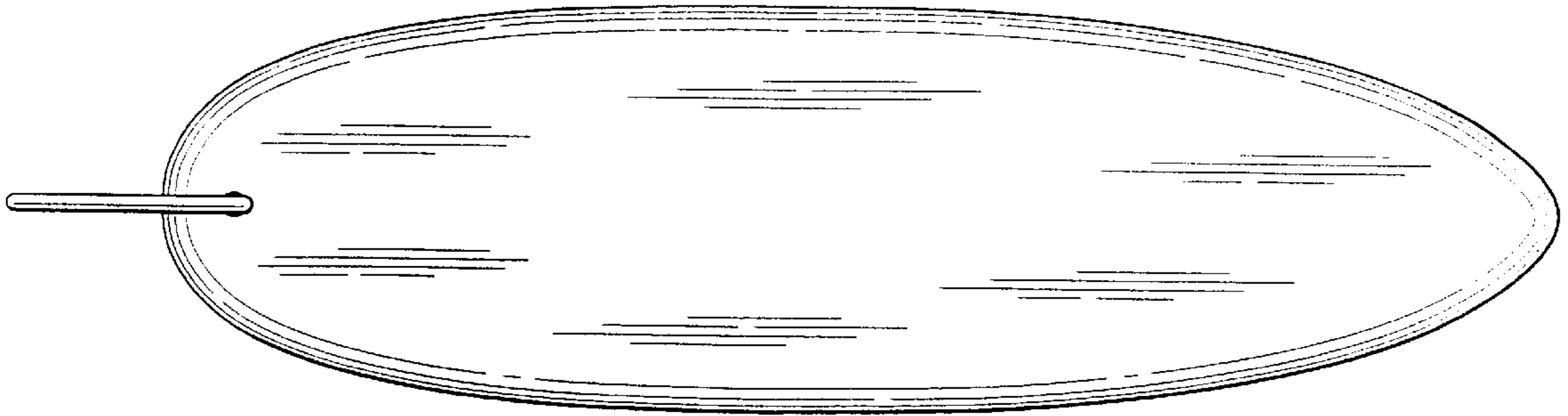


Fig. 22

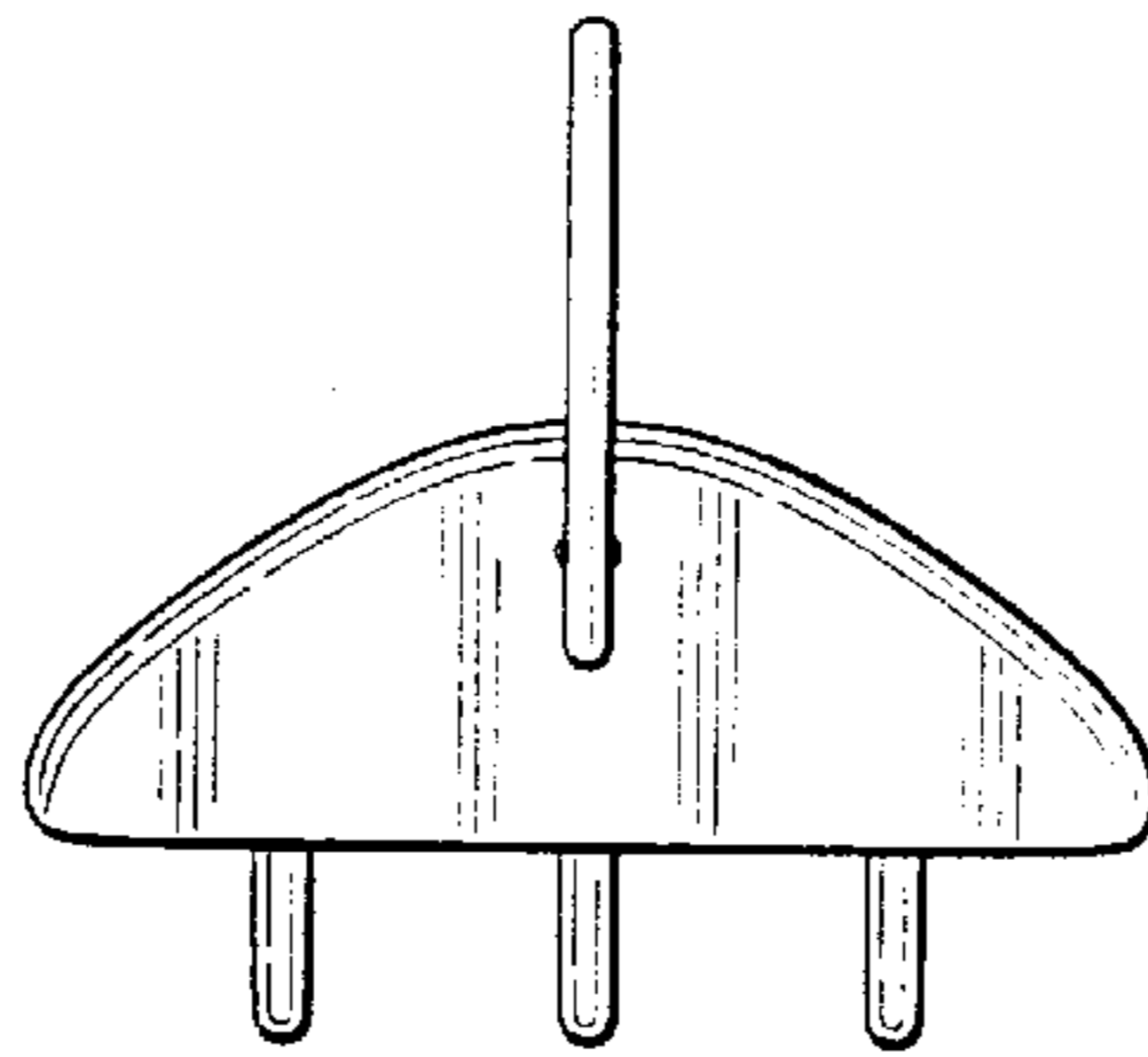


Fig. 23

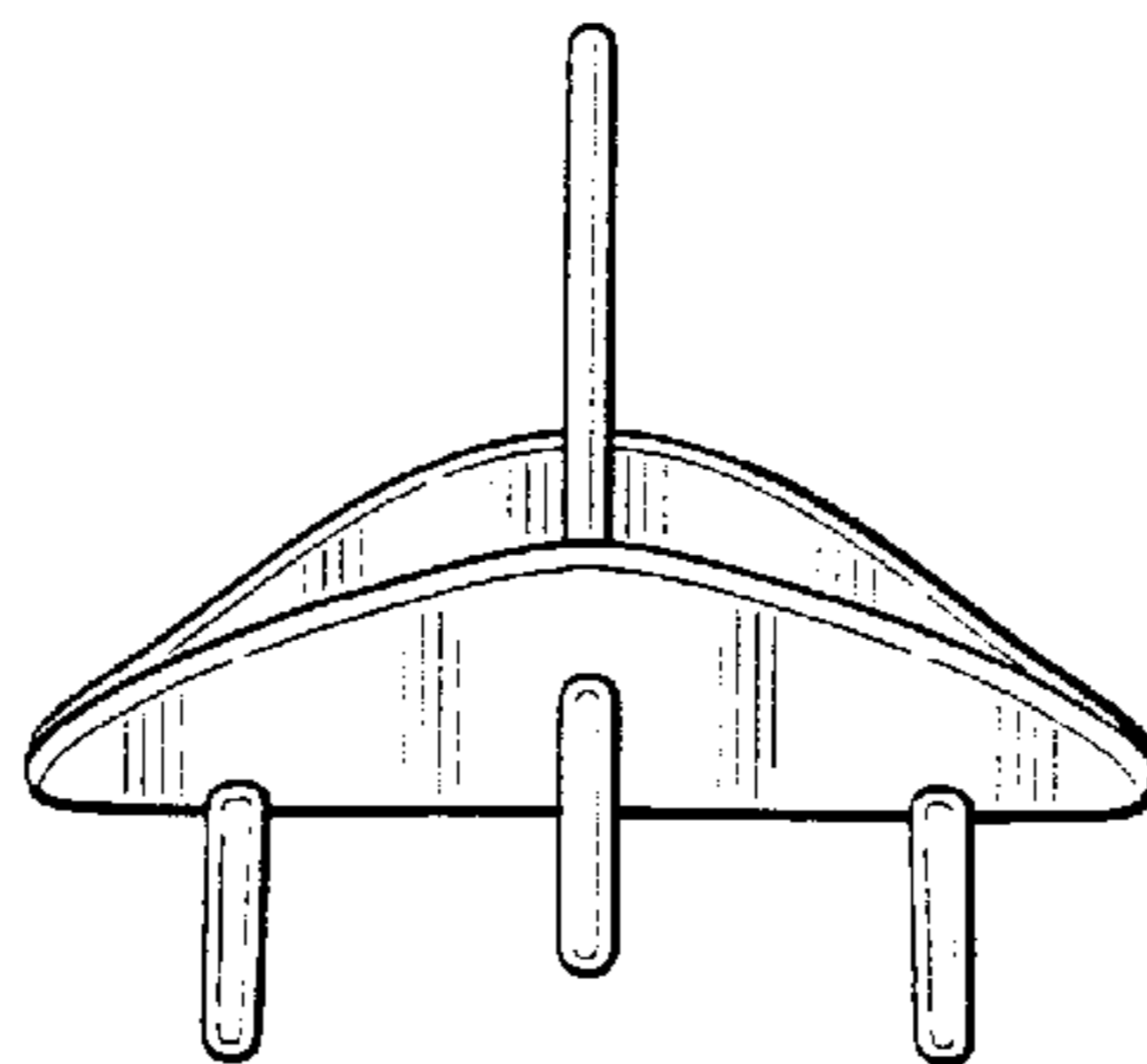


Fig. 24