

US00D403495S

United States Patent [19]
Sorofman

[11] **Patent Number: Des. 403,495**

[45] **Date of Patent: **Jan. 5, 1999**

[54] **SHOE HEEL AND TOE GUARD**

5,048,203 9/1991 Kling D2/909
5,454,172 10/1995 Crigger 36/72 R

[75] Inventor: **Alan R. Sorofman**, Orlando, Fla.

[73] Assignee: **Cole Haan**, Yarmouth, Me.

[**] Term: **14 Years**

Primary Examiner—Doris V. Coles
Attorney, Agent, or Firm—Banner & Witcoff, Ltd.

[21] Appl. No.: **67,522**

[22] Filed: **Mar. 10, 1997**

[57] **CLAIM**

The ornamental design for a shoe heel and toe guard, as shown and described.

[51] **LOC (6) Cl.** **02-04**

[52] **U.S. Cl.** **D2/909; D2/915**

[58] **Field of Search** D2/909, 902, 908,
D2/969, 970, 907, 910-912, 915, 972;
36/32 R, 25 R, 59 C, 11 P, 72 R

DESCRIPTION

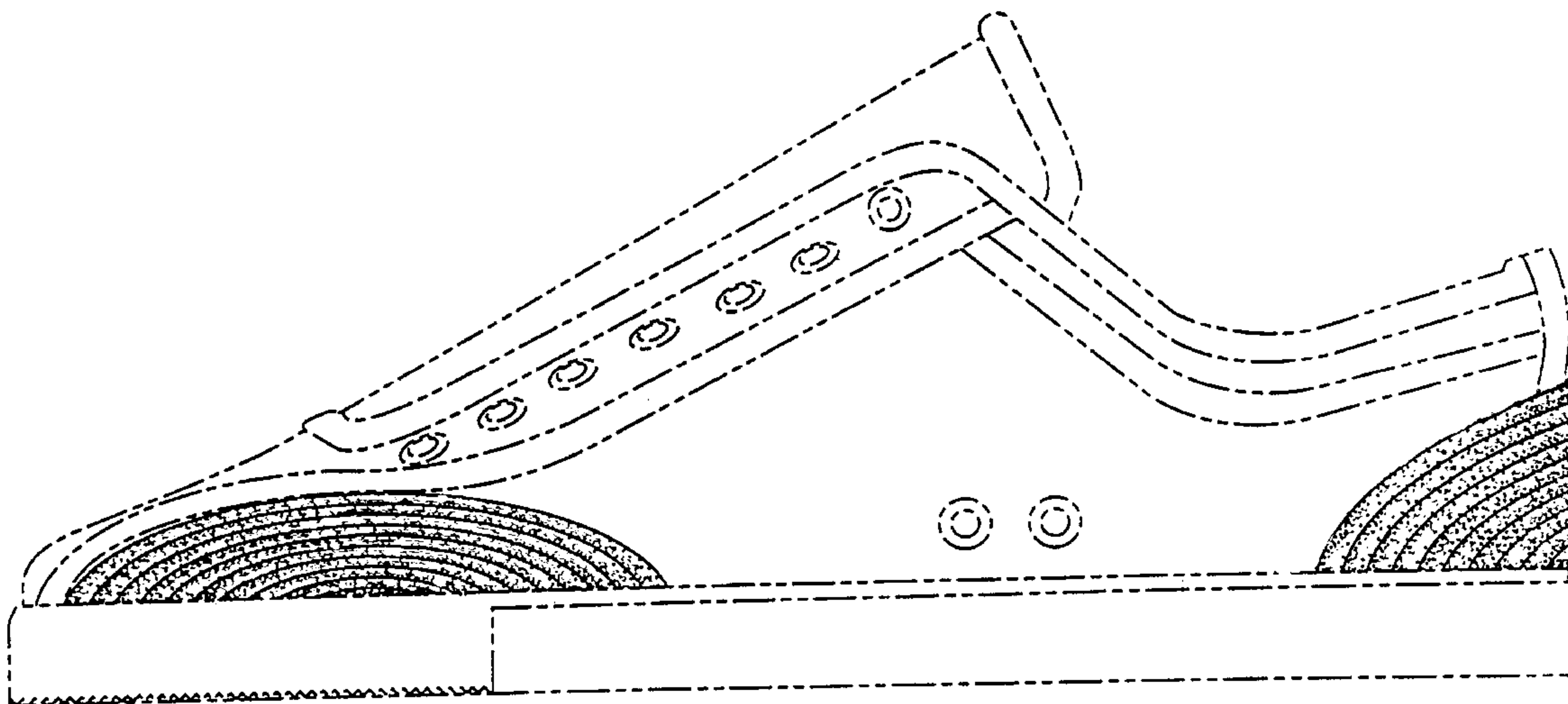
FIG. 1 is a right side elevational view of a shoe heel and toe guard, showing my new design;
FIG. 2 is a left side elevational view thereof;
FIG. 3 is a rear elevational view thereof;
FIG. 4 is a front elevational view thereof; and,
FIG. 5 is a top plan view thereof.
The broken line showing of the remainder of a shoe in FIGS. 1-5 is for illustrative purposes only and forms no part of claimed design.

[56] **References Cited**

U.S. PATENT DOCUMENTS

D. 265,018	6/1982	Vermonet	D2/954
1,094,016	4/1914	Ramer	36/72 R
3,028,689	4/1962	Dassler	36/72 R

1 Claim, 3 Drawing Sheets



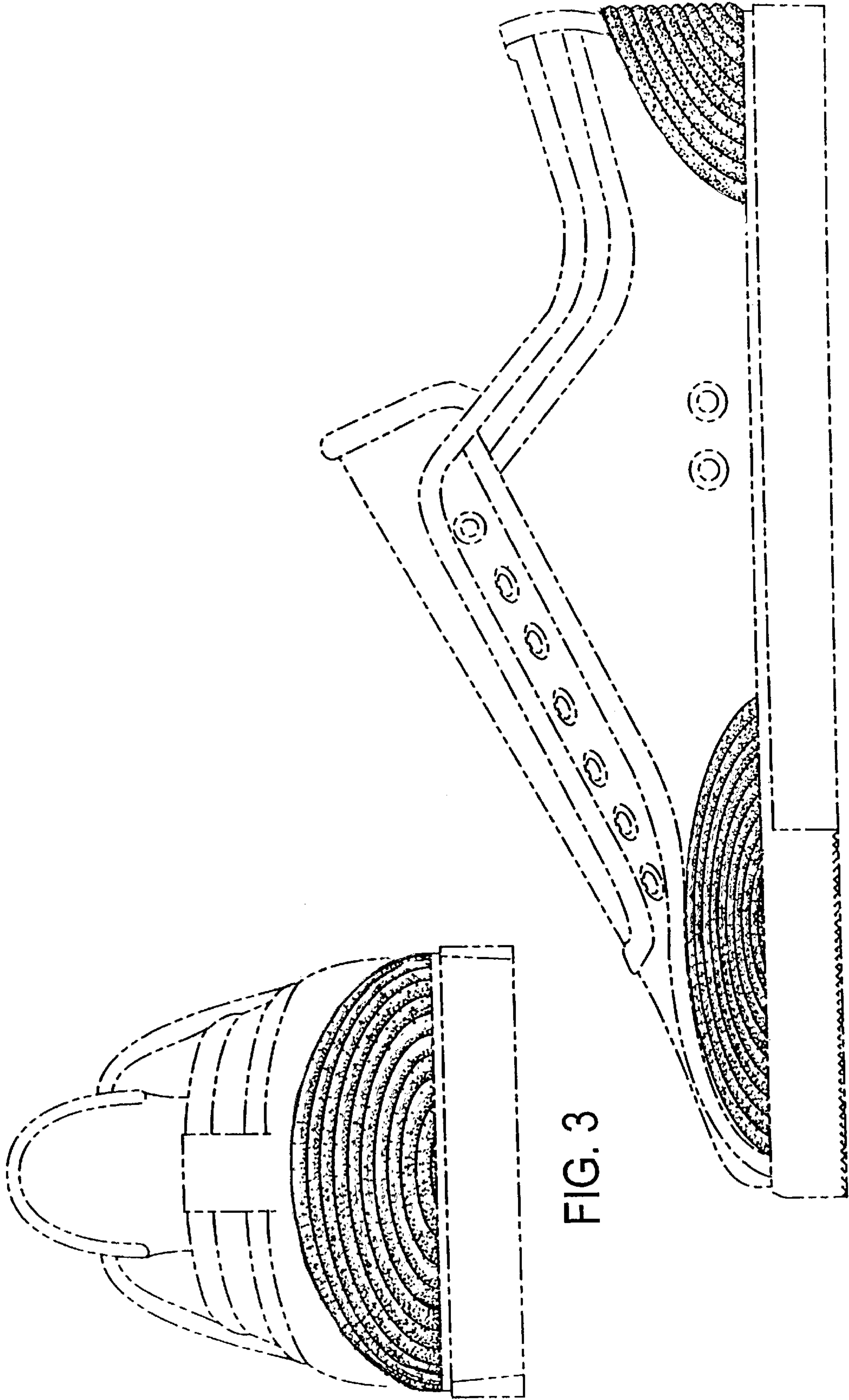


FIG. 1

FIG. 3

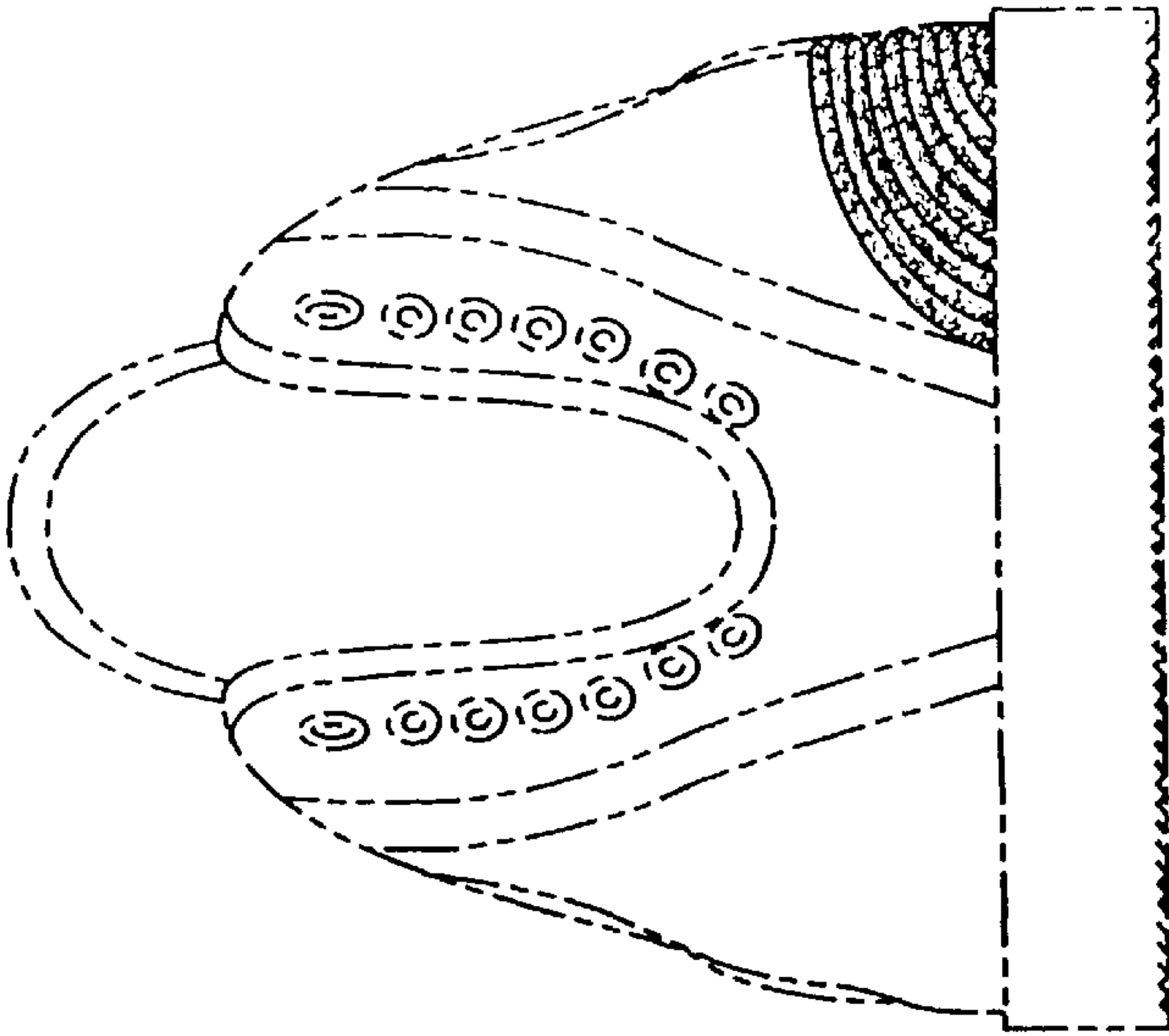


FIG. 4

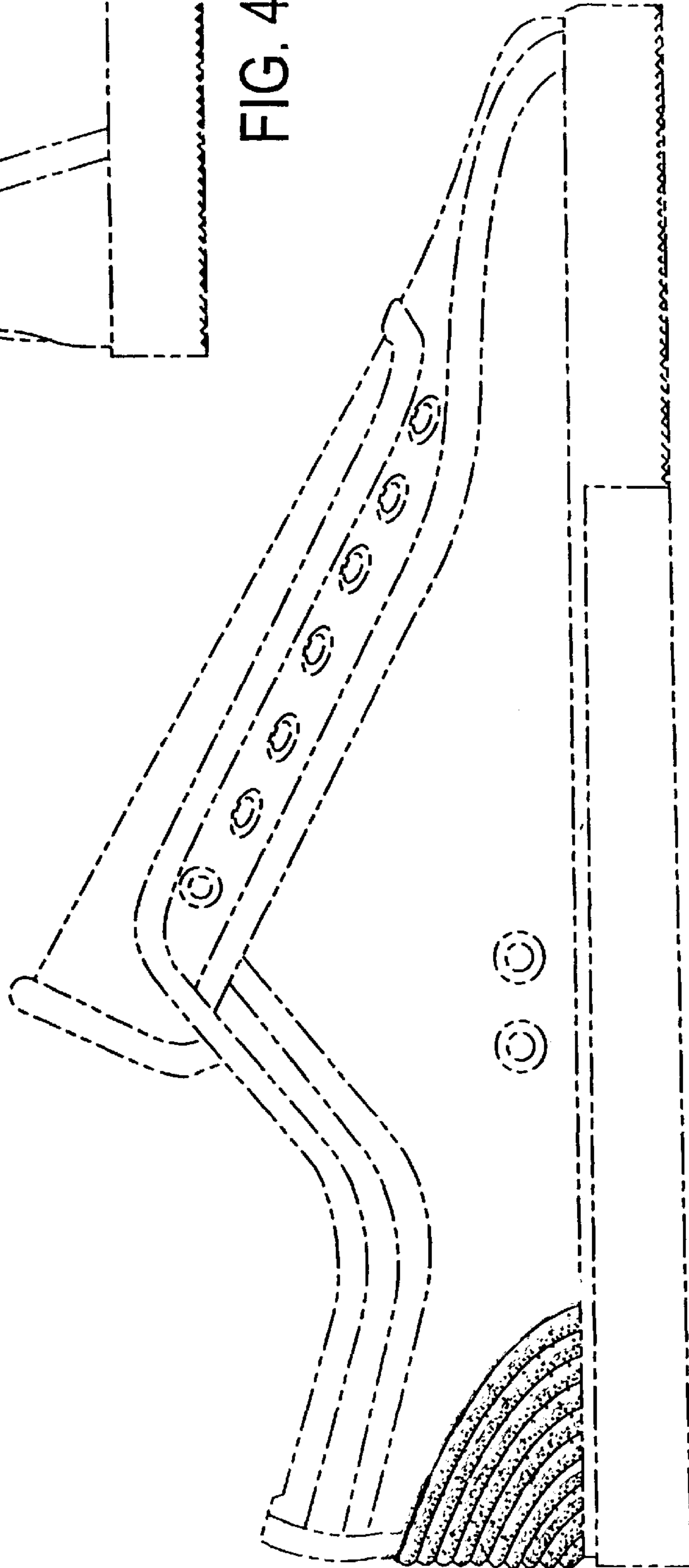


FIG. 2

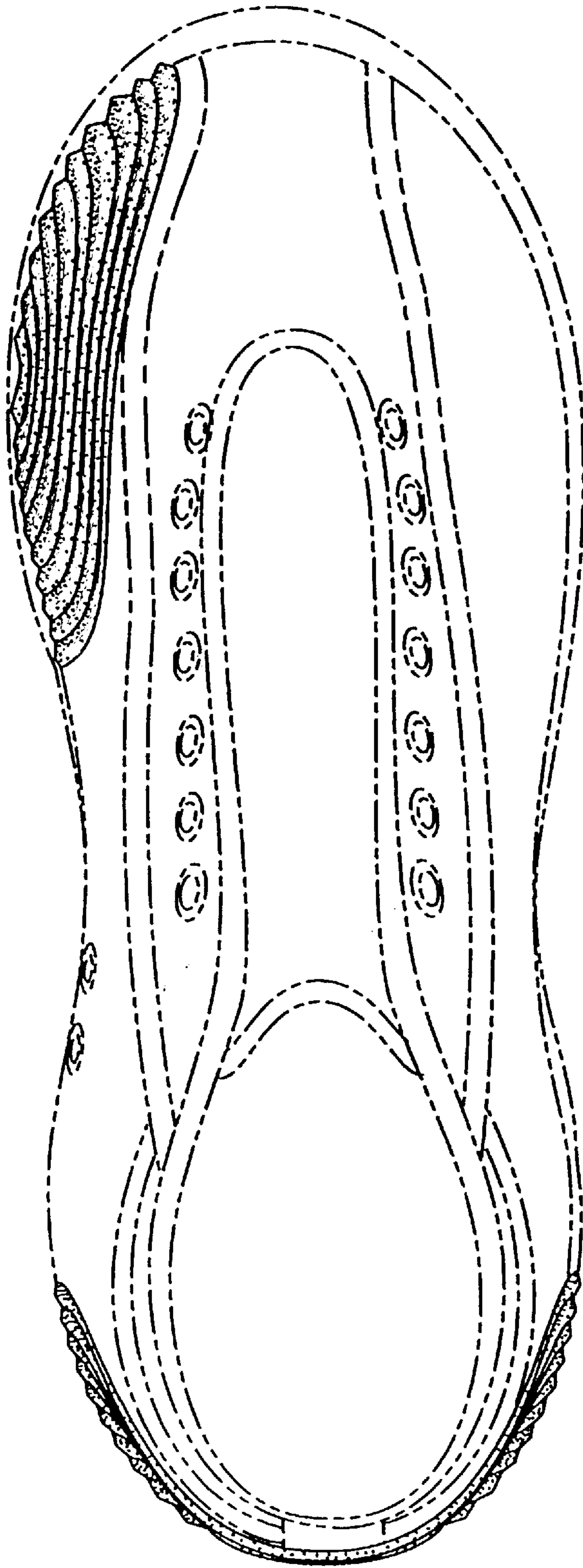


FIG. 5