



US00D403491S

United States Patent [19]

Wyatt et al.

[11] Patent Number: **Des. 403,491**

[45] Date of Patent: ****Jan. 5, 1999**

[54] **NOVELTY BASEBALL CAP**

[76] Inventors: **Harry Wyatt; Glynis Margaret Wyatt**,
both of Unit 6, The Square Vicarage
Farm Road, Peterborough PE1 5TS,
United Kingdom

[**] Term: **14 Years**

[21] Appl. No.: **84,756**

[22] Filed: **Mar. 10, 1997**

[51] **LOC (6) Cl.** **02-03**

[52] **U.S. Cl.** **D2/866; D2/865; D2/891**

[58] **Field of Search** **D2/865, 866, 868,**
D2/869, 872, 876, 879, 880, 881, 882,
891, 884; 2/171, 181, 175.6, 175.7, 195.1,
209.13; 248/205.7; D11/13

[56] **References Cited**

U.S. PATENT DOCUMENTS

D. 309,523	7/1990	Martin	D2/884
D. 365,917	1/1996	Armstrong	D2/865 X
701,639	6/1902	Stamm	2/175.7
867,814	10/1907	Fornander	2/175.7
921,856	5/1909	Loubrie	2/175.7

957,804	5/1910	Schroeder	248/205.7
1,190,427	7/1916	Kromer, Jr.	2/181
2,172,510	9/1939	Jaccaro	D2/877 X
2,711,069	6/1955	Armbrust	D11/13
4,386,437	6/1983	Fosher	2/209.13
5,144,695	9/1992	Schweizer	2/195.1 X
5,675,841	10/1997	Jackson	2/175.7

Primary Examiner—Paula A. Mortimer
Attorney, Agent, or Firm—Lee, Mann, Smith, McWilliams,
Sweeney & Ohlson

[57] **CLAIM**

The ornamental design for a novelty baseball cap, as shown and described.

DESCRIPTION

FIG. 1 is a left front perspective view of a novelty baseball cap showing our new design;
FIG. 2 is a side elevational view thereof, the opposite side being a mirror image thereof;
FIG. 3 is a front elevational view thereof;
FIG. 4 is a rear elevational view thereof; and,
FIG. 5 is a top plan view thereof, the bottom is unornamented and not part of the claimed design.

1 Claim, 3 Drawing Sheets

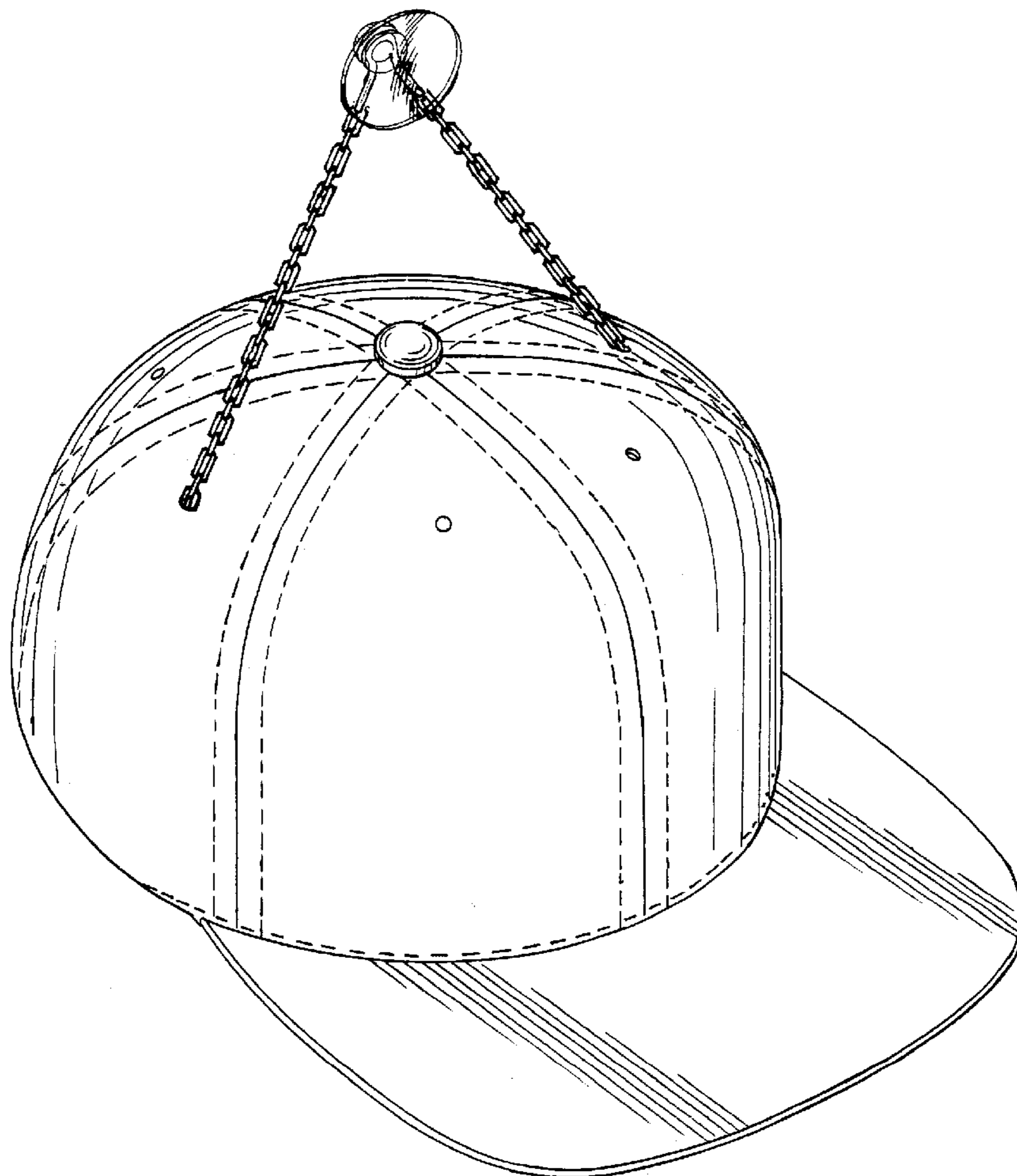


FIG.1

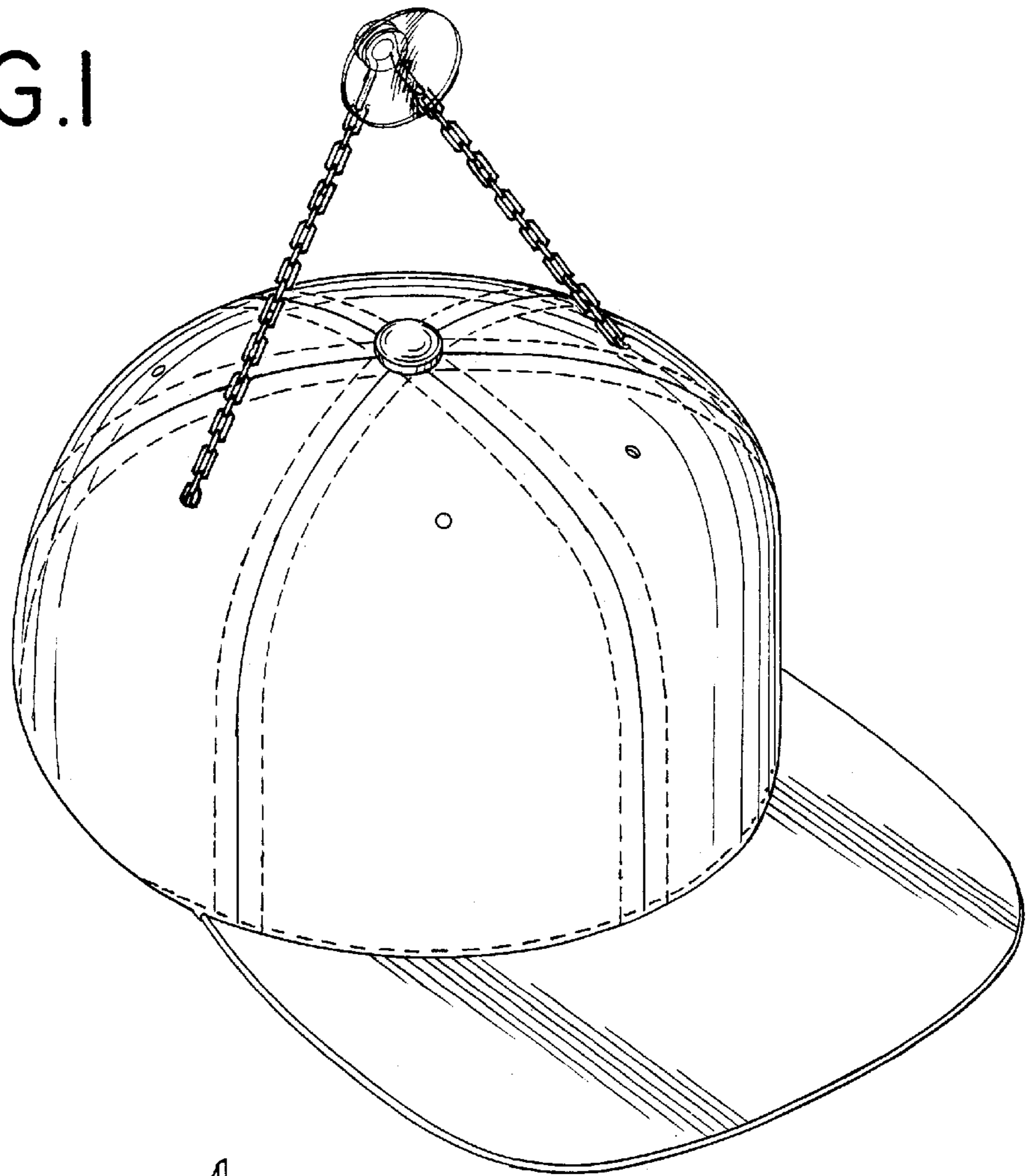


FIG.2

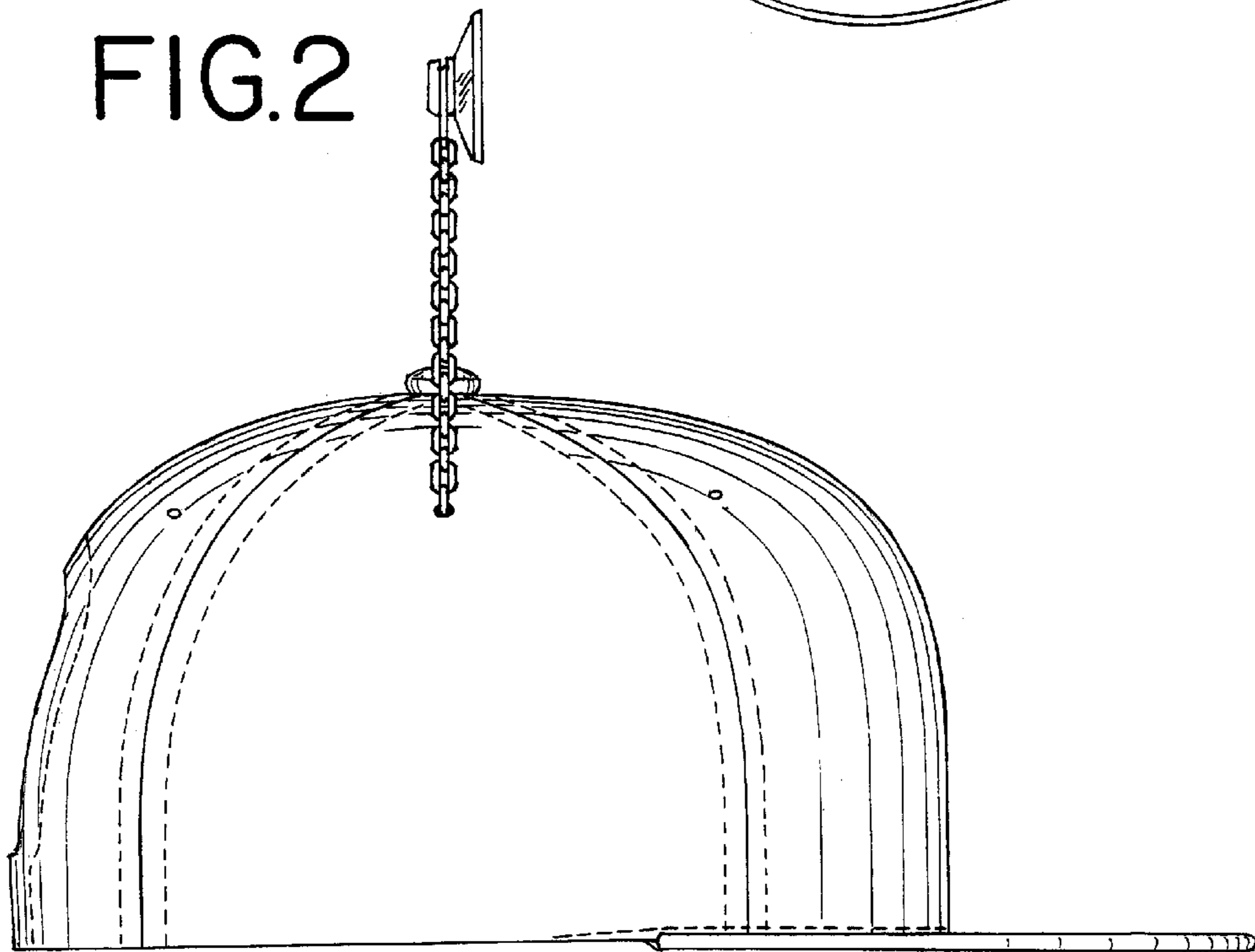


FIG.3

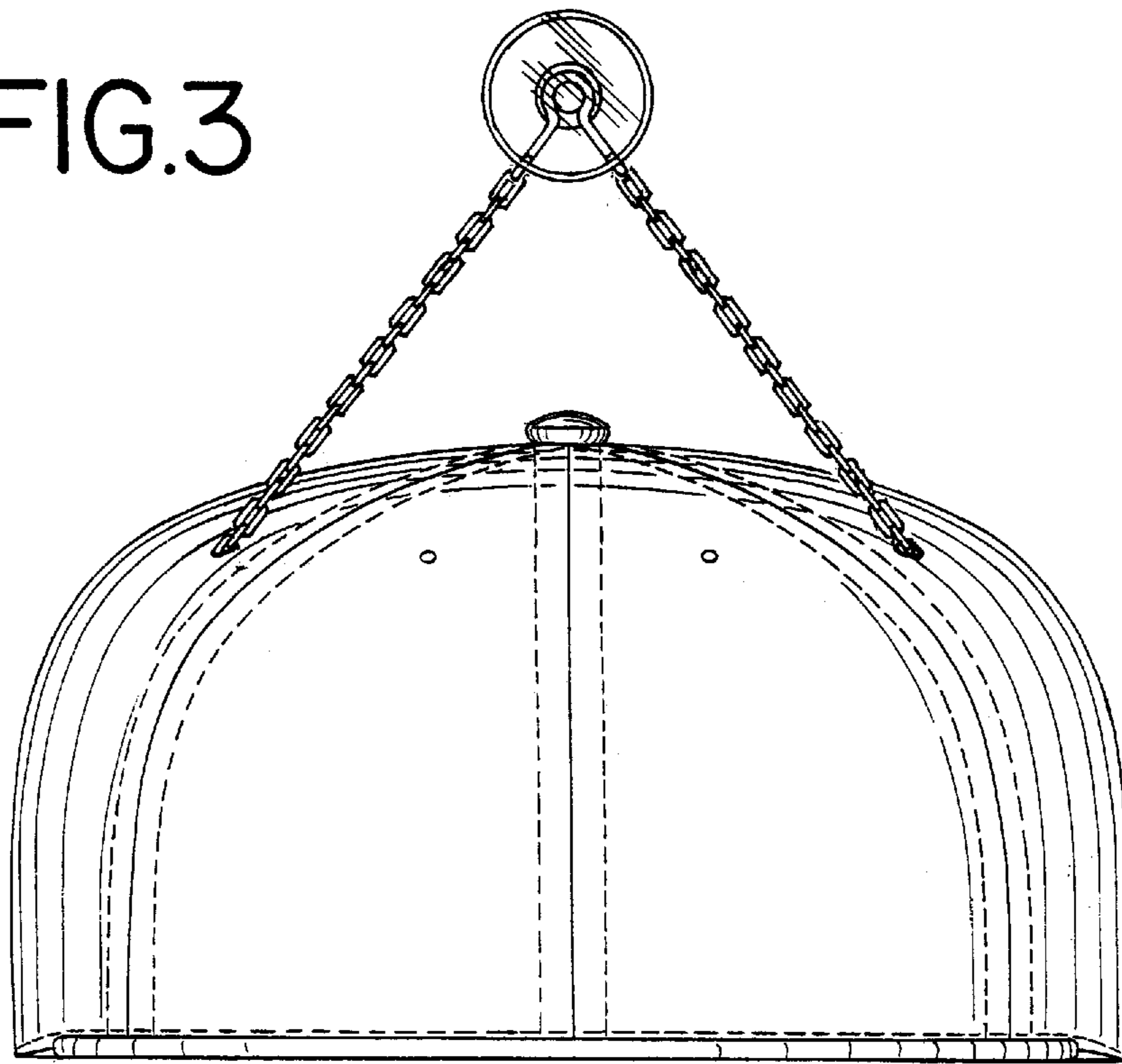


FIG.4

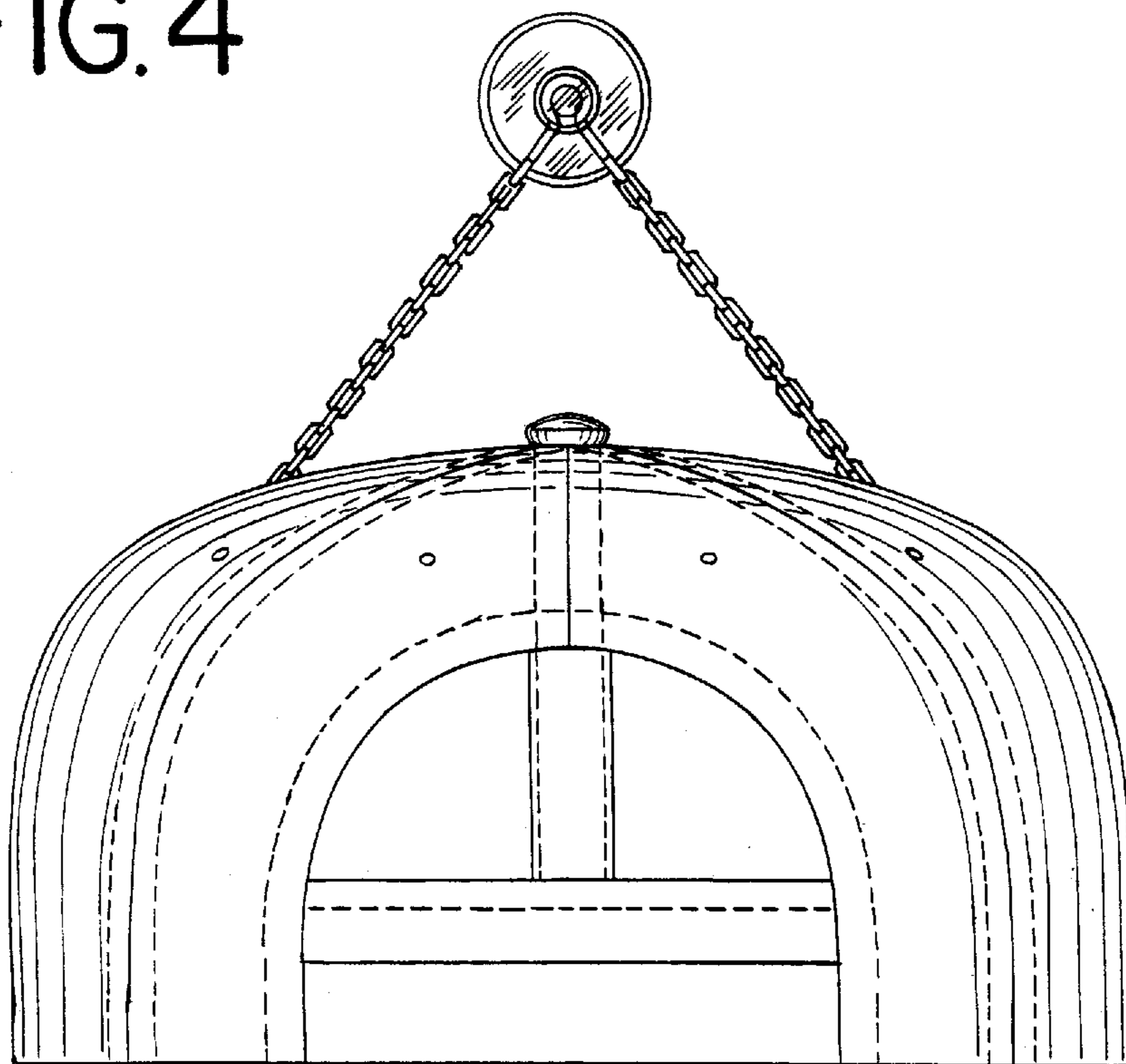


FIG. 5

