



US00D403490S

United States Patent [19]

Posner

[11] **Patent Number: Des. 403,490**

[45] **Date of Patent: **Jan. 5, 1999**

[54] **CAP WITH SUN GLASSES**

[76] Inventor: **Norman Posner**, 22325 S. Main St.
#181, Carson, Calif. 90745

[**] Term: **14 Years**

[21] Appl. No.: **68,209**

[22] Filed: **Mar. 20, 1997**

[51] **LOC (6) Cl. 02-03**

[52] **U.S. Cl. D2/866**

[58] **Field of Search D2/865, 866, 882;
D29/105, 109; D16/309; 2/12, 172, 195.1,
909, 209.13**

[56] **References Cited**

U.S. PATENT DOCUMENTS

D. 153,778	5/1949	Feldman	D2/866 X
1,190,427	7/1916	Kromer, Jr.	2/195.1 X
2,523,885	9/1950	Tannenbaum	2/10
2,538,608	1/1951	Vaca	2/10
2,560,669	7/1951	Vaca	2/10
2,616,082	11/1952	Greighton	2/12
2,619,641	12/1952	Vaca	2/10
2,654,089	10/1953	Tannenbaum	2/10

4,712,254	12/1987	Daigie	2/171 X
5,129,102	7/1992	Solo	2/10
5,422,686	6/1995	Kelman et al.	2/10 X
5,491,841	2/1996	Valletta	2/209.13 X
5,533,207	7/1996	Diaz	2/10

Primary Examiner—Paula A. Mortimer

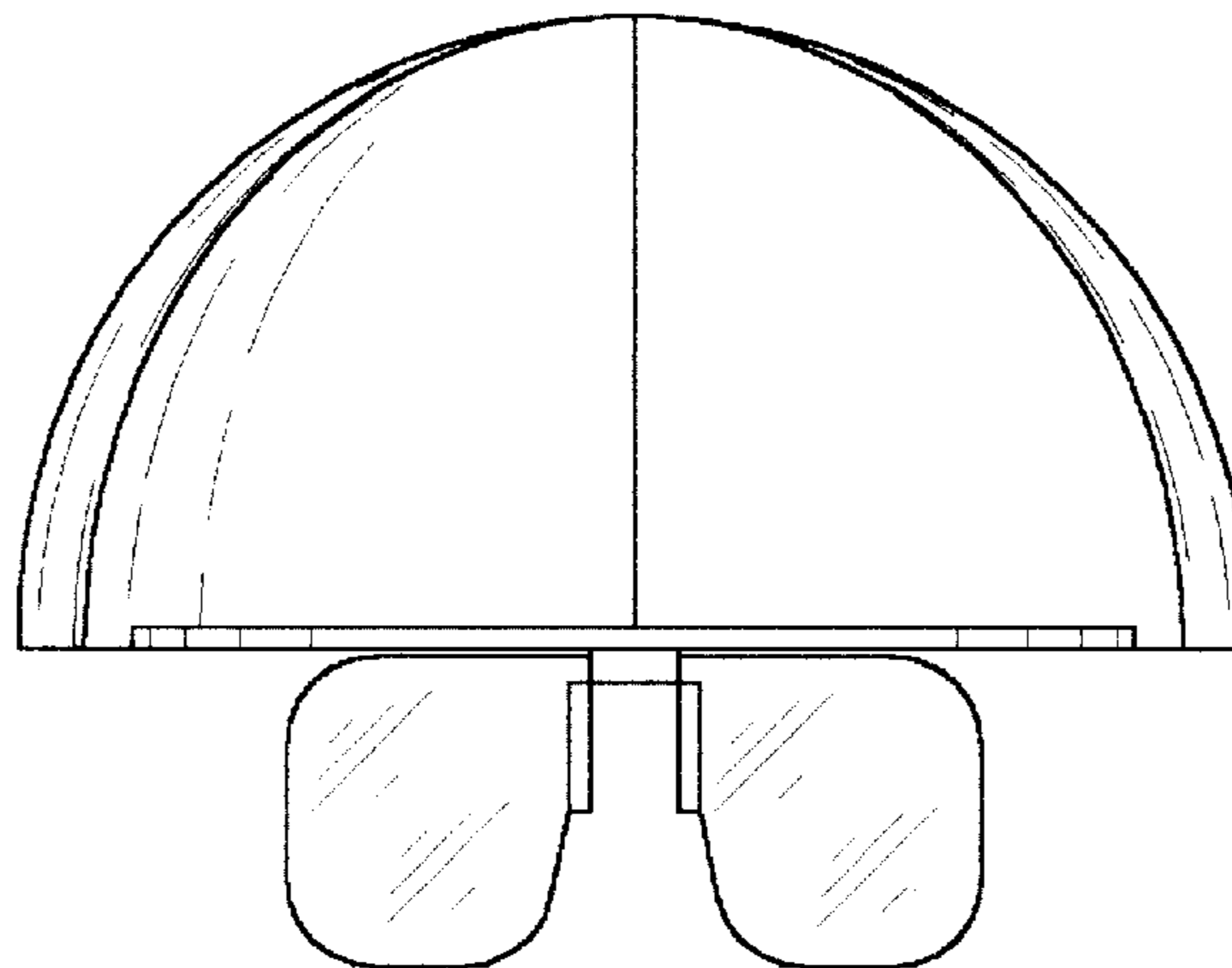
[57] **CLAIM**

The ornamental design for a cap with sun glasses, as shown.

DESCRIPTION

FIG. 1 is a front elevational view of the cap with sun glasses of the present invention;
 FIG. 2 is a rear elevational view of the cap with sun glasses of FIG. 1;
 FIG. 3 is a right side elevational view of the cap with sun glasses of FIG. 1;
 FIG. 4 is a left side elevational view of the cap with sun glasses of FIG. 1;
 FIG. 5 is a top plan view of the cap with sun glasses of FIG. 1; and,
 FIG. 6 is a bottom plan view of the cap with sun glasses of FIG. 1.

1 Claim, 3 Drawing Sheets



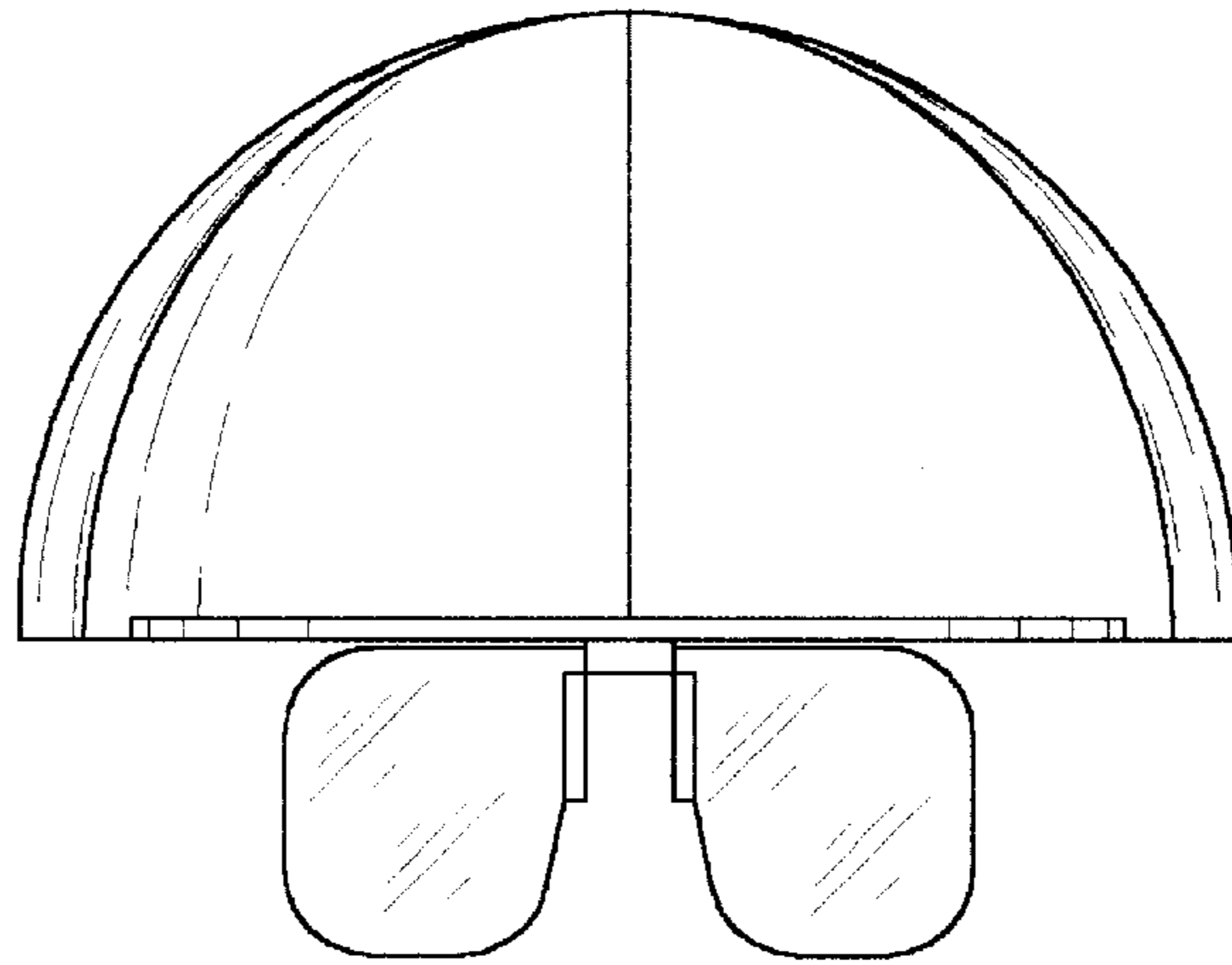


Fig. 1

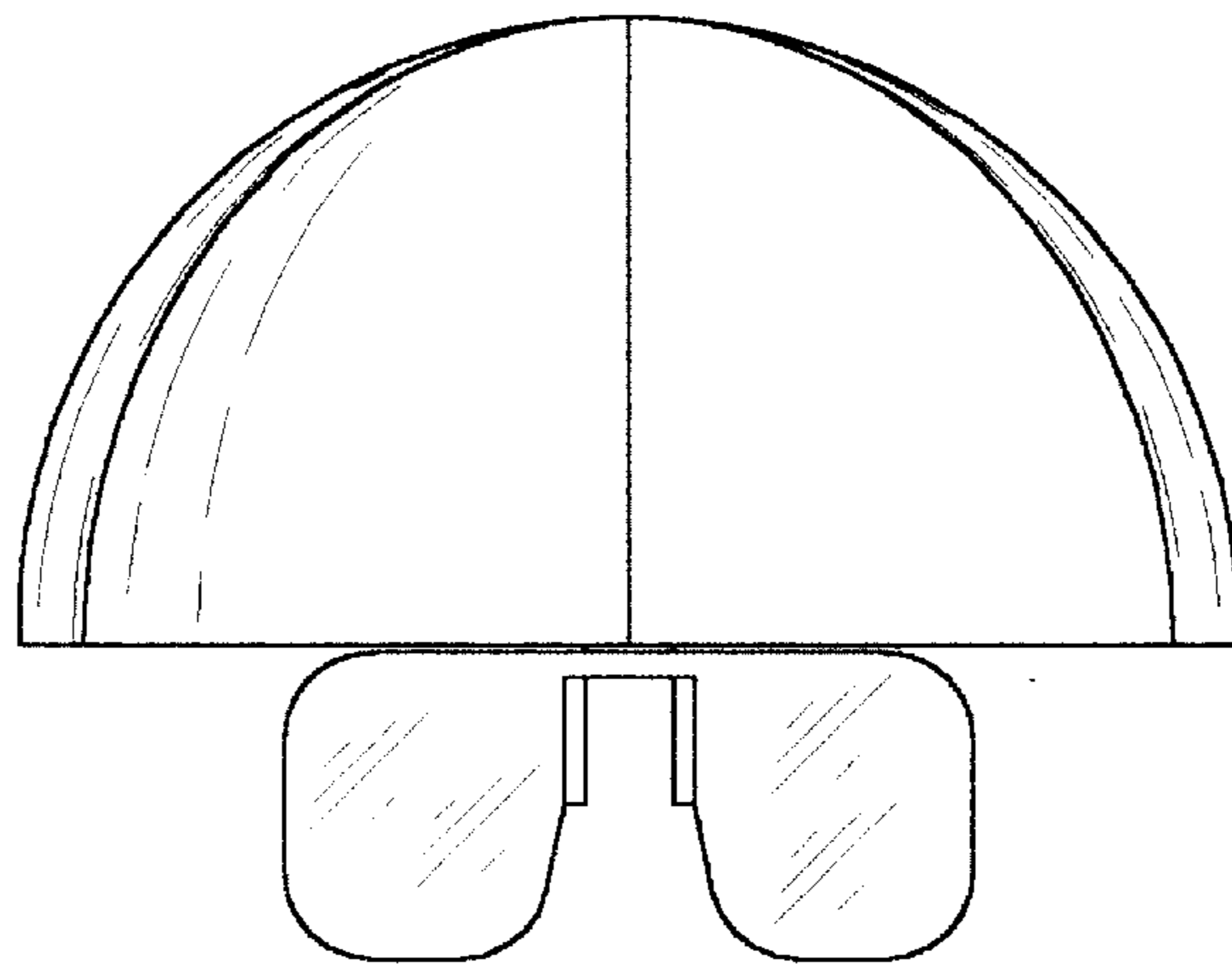


Fig. 2

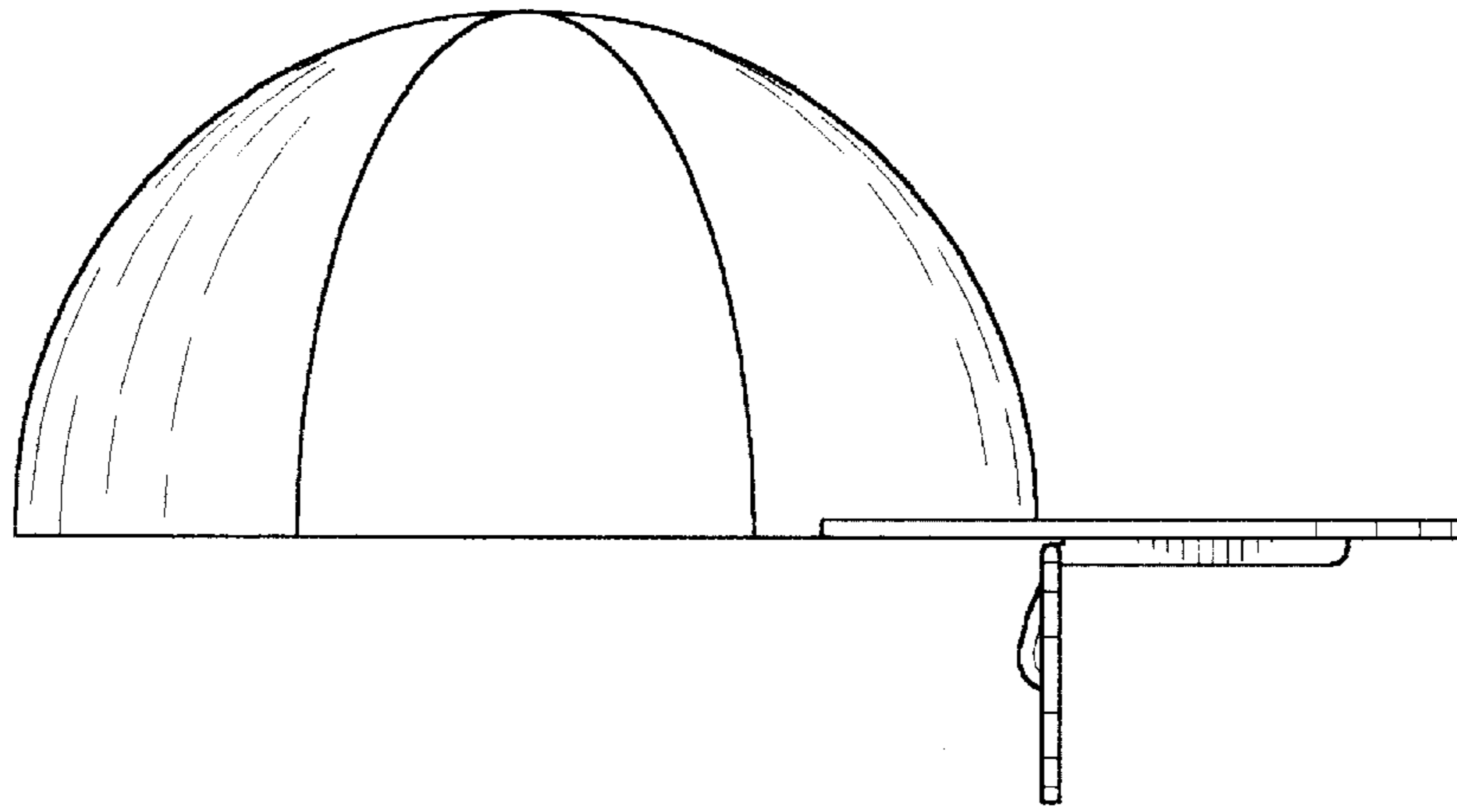


Fig. 3

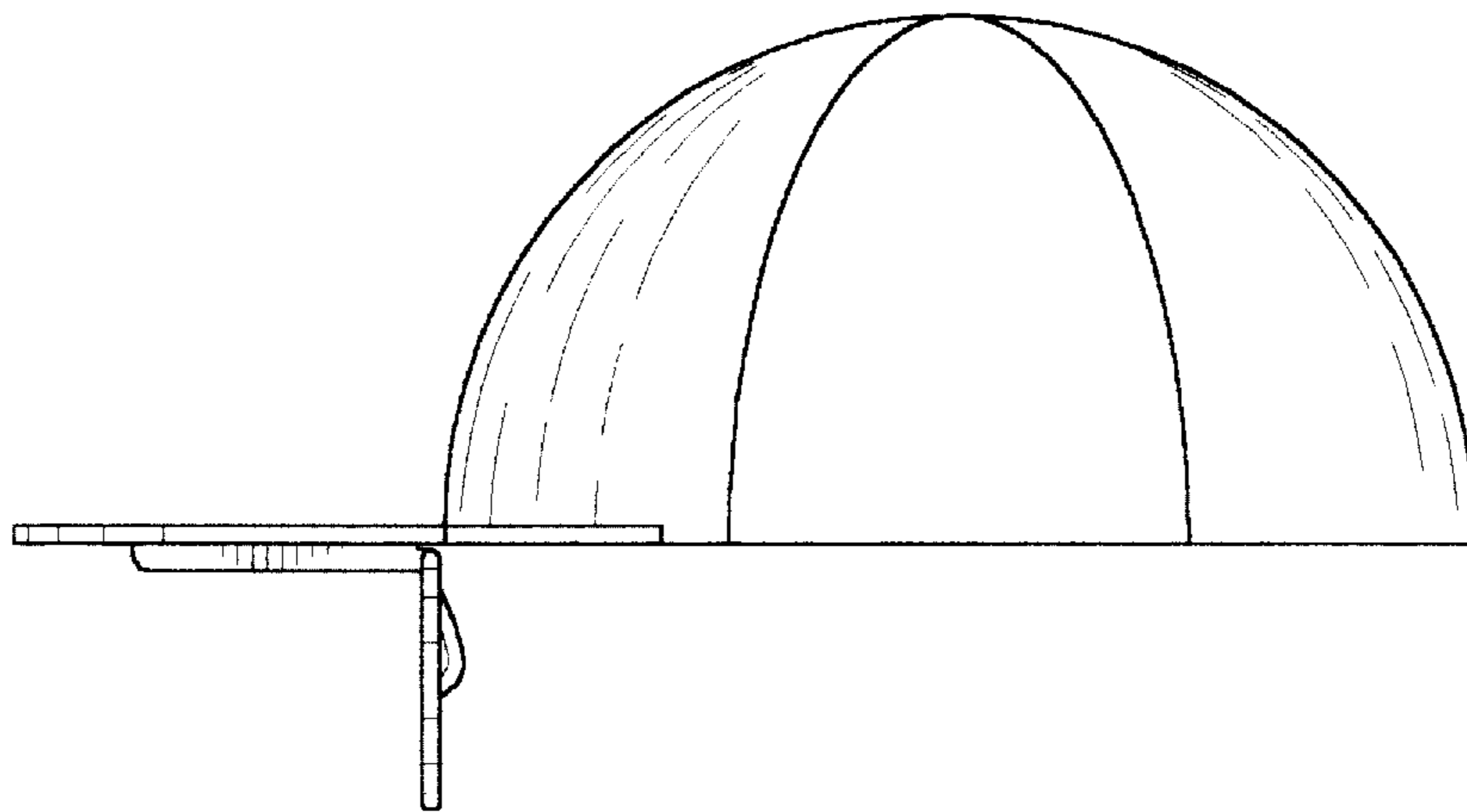


Fig. 4

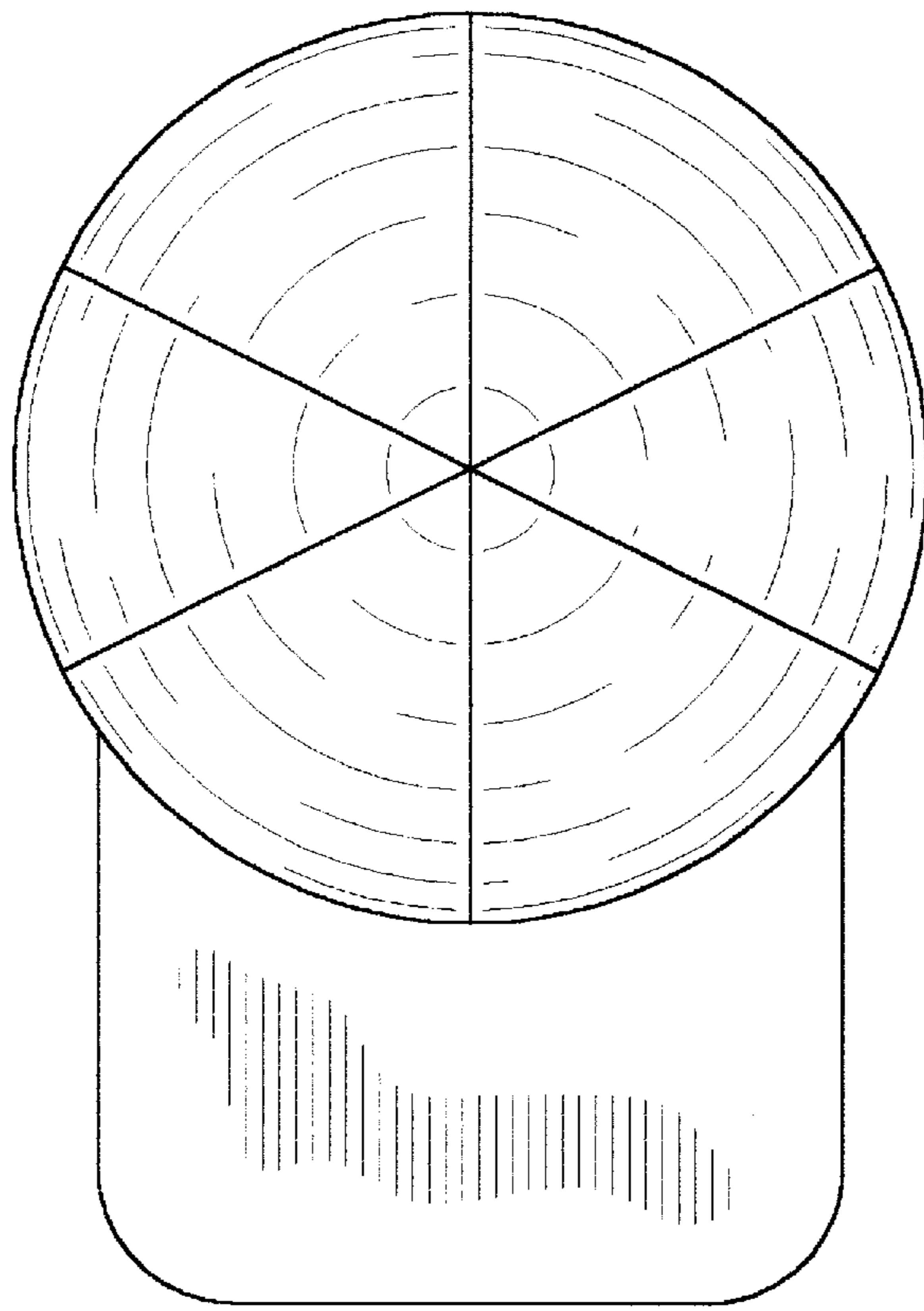


Fig. 5

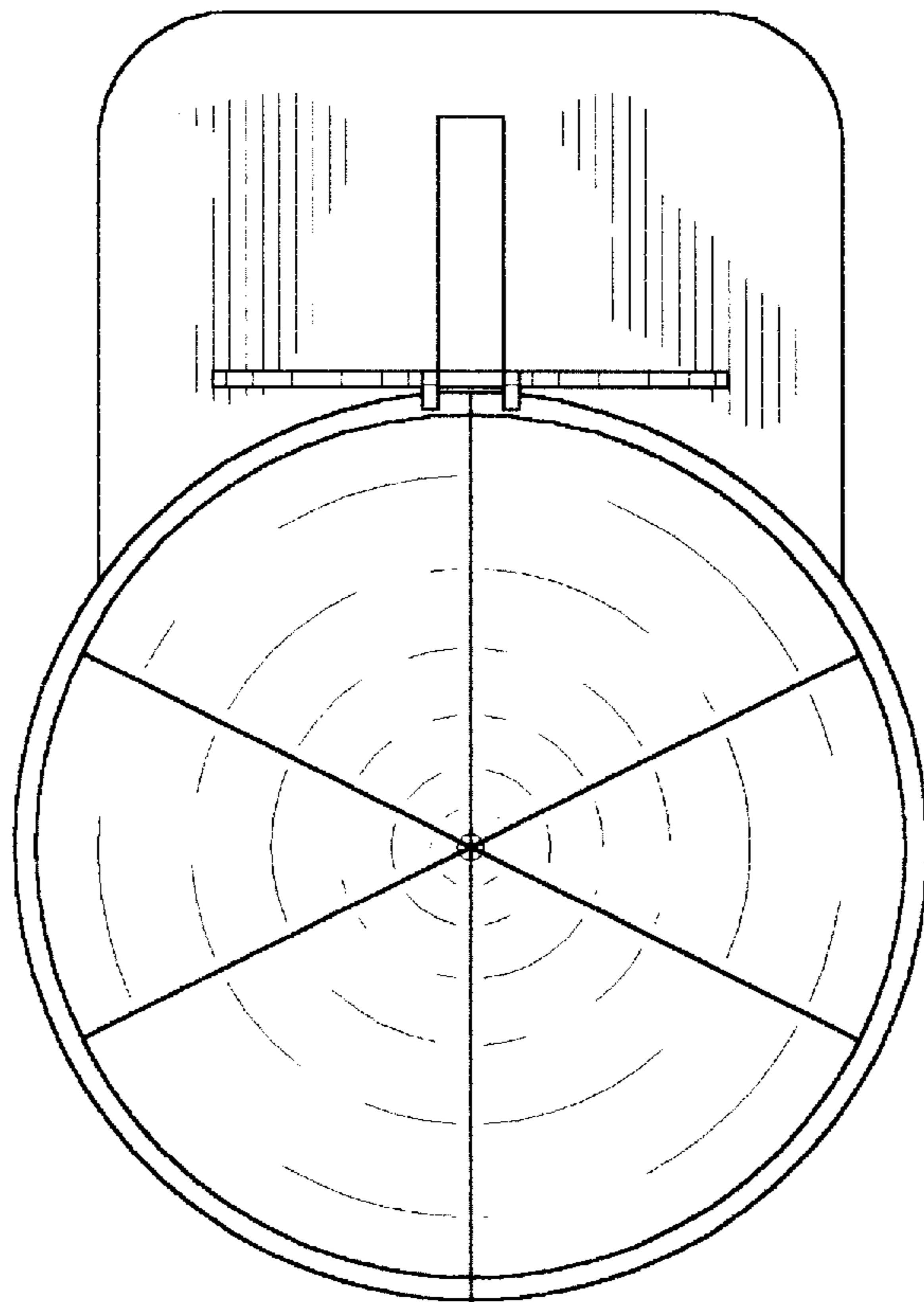


Fig. 6