



US00D403482S

# United States Patent [19]

[11] Patent Number: **Des. 403,482**

Essex et al.

[45] Date of Patent: **\*\*Dec. 29, 1998**

[54] **HANDLE PORTION OF AN UPRIGHT CARPET EXTRACTOR**

[75] Inventors: **John D. Essex**, North Canton; **Darwin T. McKnight**, Louisville; **David M. J. Allgeier**, North Canton; **Kevin S. Waltz**, Massillon, all of Ohio

[73] Assignee: **The Hoover Company**, North Canton, Ohio

[\*\*] Term: **14 Years**

[21] Appl. No.: **71,248**

[22] Filed: **May 23, 1997**

[51] **LOC (6) Cl.** ..... **15-05**

[52] **U.S. Cl.** ..... **D32/331; D32/22**

[58] **Field of Search** ..... **D32/21, 22, 31-34; 15/320-322, 329, 335, 347, 350-353, 410, 412, 414**

[56] **References Cited**

**U.S. PATENT DOCUMENTS**

- D. 157,708 3/1950 Sherrer .
- D. 188,309 7/1960 Gantz .
- D. 197,459 2/1964 Jepson et al. .
- D. 211,109 5/1968 Gantz .
- D. 233,930 12/1974 Yoshida .
- D. 248,762 8/1978 Burgess et al. .
- D. 263,235 3/1982 Akita .
- D. 277,325 1/1985 Hug ..... D32/31
- D. 278,560 4/1985 Wareham .
- D. 287,894 1/1987 Watkins et al. .
- D. 293,737 1/1988 Wareham et al. .
- D. 305,168 12/1989 Kroll .
- D. 305,269 12/1989 Dyson ..... D32/22
- D. 305,373 1/1990 Yamamoto et al. .
- D. 307,658 5/1990 Ikeda et al. .... D32/22
- D. 309,203 7/1990 Goodrich ..... D32/22
- D. 314,072 1/1991 Shinozaki et al. .... D32/22
- D. 329,511 9/1992 McKnight .
- D. 330,615 10/1992 Essex .
- D. 334,260 3/1993 Kieft et al. .
- D. 342,591 12/1993 Takashi .
- D. 343,707 1/1994 Dyson ..... D32/22
- D. 345,830 4/1994 Furcron et al. .... D32/22
- D. 346,247 4/1994 Furcron et al. .... D32/22
- D. 346,467 4/1994 Furcron et al. .... D32/22

- D. 346,679 5/1994 Bradd et al. .
- D. 347,500 5/1994 Abe et al. .... D32/22
- D. 353,917 12/1994 Hoekstra et al. .
- D. 357,096 4/1995 Wareham ..... D32/31
- D. 358,241 5/1995 Bradd ..... D32/22
- D. 358,913 5/1995 Sugiyama et al. .... D32/22
- D. 361,181 8/1995 Wareham et al. .... D32/31
- D. 364,014 11/1995 Langeland et al. .
- D. 365,179 12/1995 Bradd ..... D32/31
- D. 370,321 5/1996 Robinette et al. .
- D. 371,654 7/1996 WoRwag .
- D. 375,594 11/1996 Luebbering ..... D32/31
- 3,300,806 1/1967 Ripple .

**FOREIGN PATENT DOCUMENTS**

- D-30190 9/1963 Canada .
- D-37906 6/1974 Canada .

*Primary Examiner*—Ruth McInroy  
*Attorney, Agent, or Firm*—A. Burgess Lowe; Bruce P. Watson

[57] **CLAIM**

The ornamental design for a carpet extractor, as shown and described.

**DESCRIPTION**

FIG. 1 is a side elevational view showing a first embodiment of our new ornamental design for a handle portion of an upright carpet extractor, the ghost line portions being for the purpose of environment only;

FIG. 2 is a front elevational view thereof;

FIG. 3 is an opposite side elevational view thereof;

FIG. 4 is a rear elevational view thereof;

FIG. 5 is a top elevational view thereof;

FIG. 6 is a side elevational view showing a second embodiment of our new ornamental design for a handle portion of an upright carpet extractor;

FIG. 7 is front elevational view thereof;

FIG. 8 is an opposite side elevational view thereof;

FIG. 9 is a top view thereof;

FIG. 10 is a rear elevational view thereof;

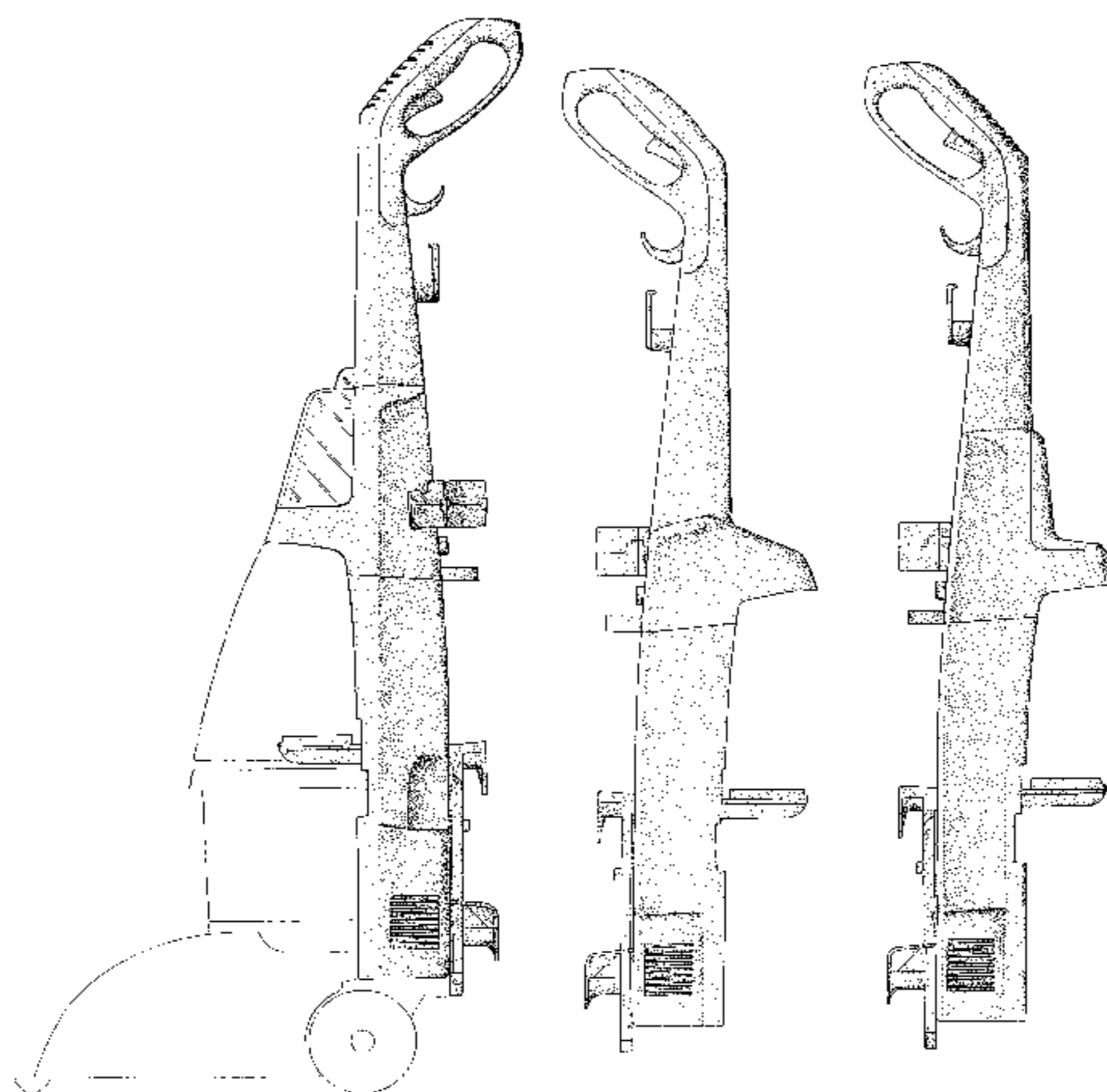
FIG. 11 is a side elevational view showing a third embodiment of our new ornamental design for a handle portion of an upright carpet extractor;

FIG. 12 is a top view thereof;

FIG. 13 is an opposite side elevational view thereof; and,

FIG. 14 is a front elevational view thereof, the rear view being the same as FIG. 4.

**1 Claim, 8 Drawing Sheets**



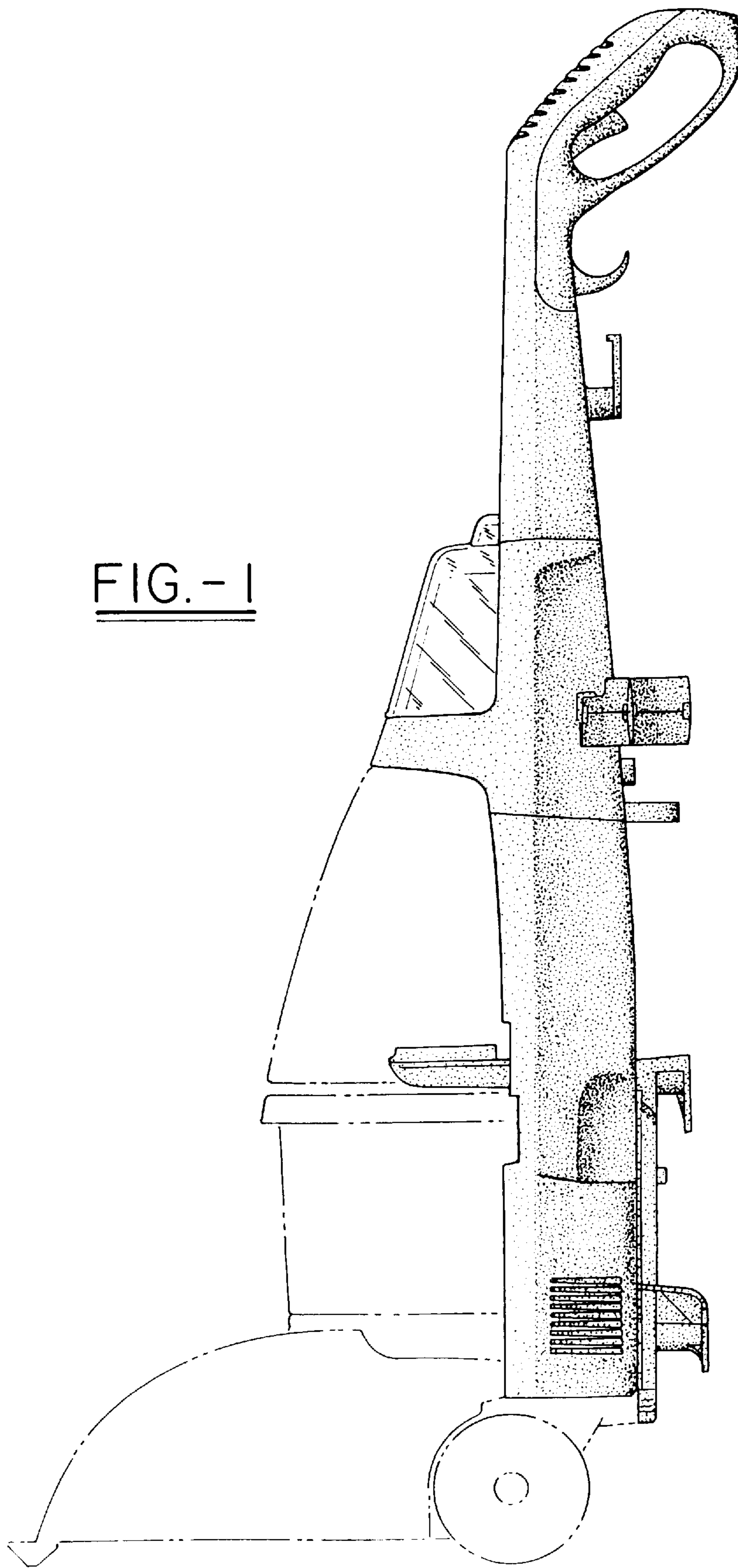


FIG.-1



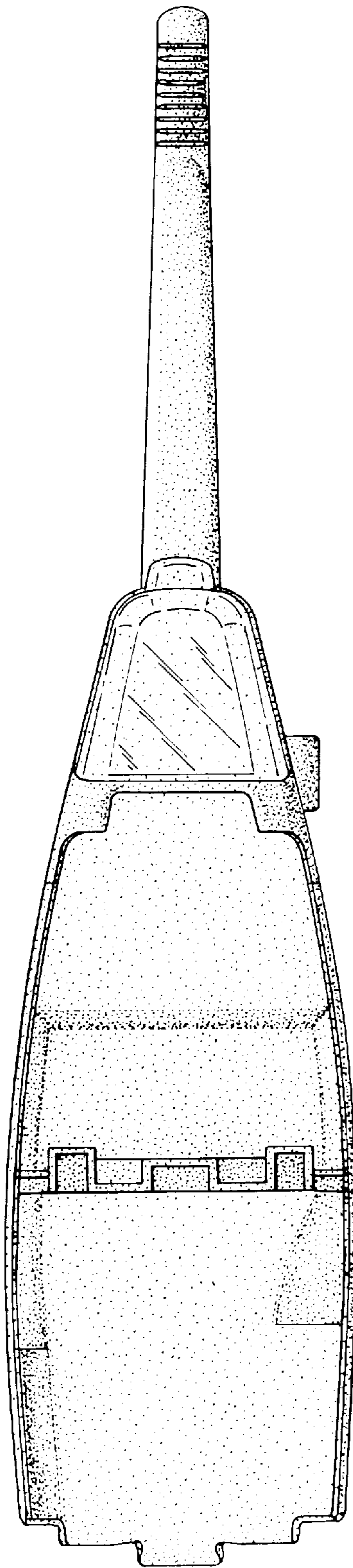


FIG.-2

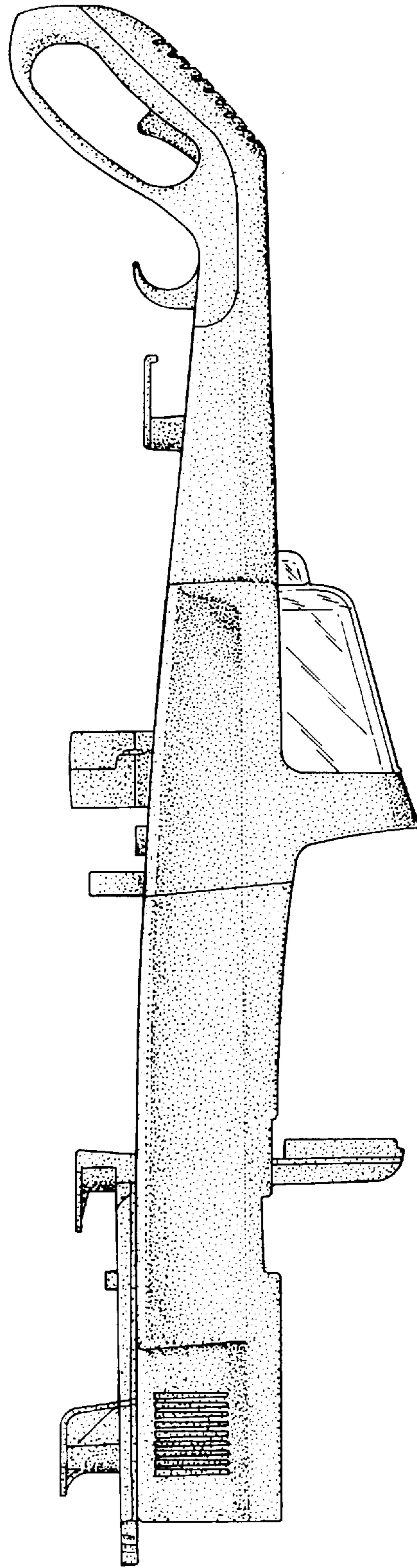


FIG.-3

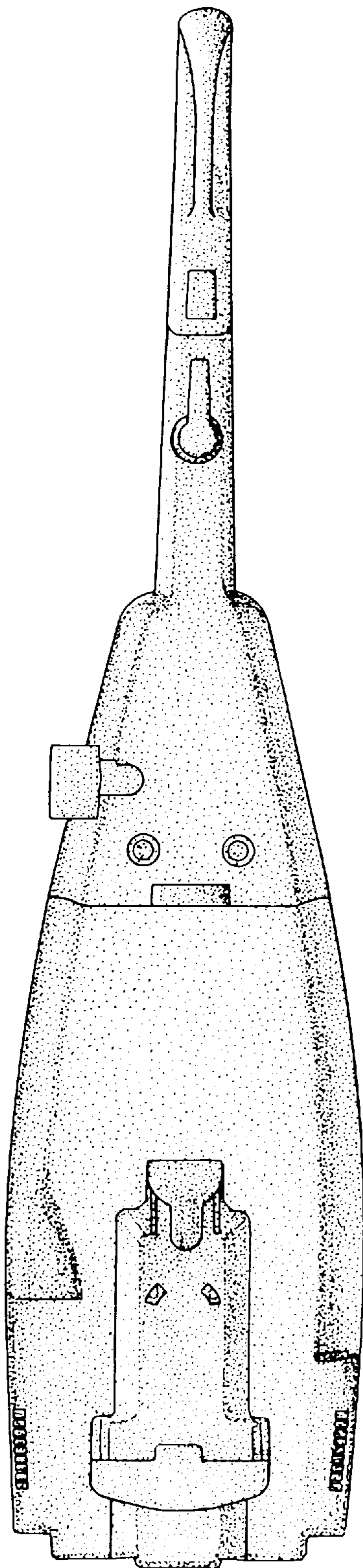


FIG. - 4

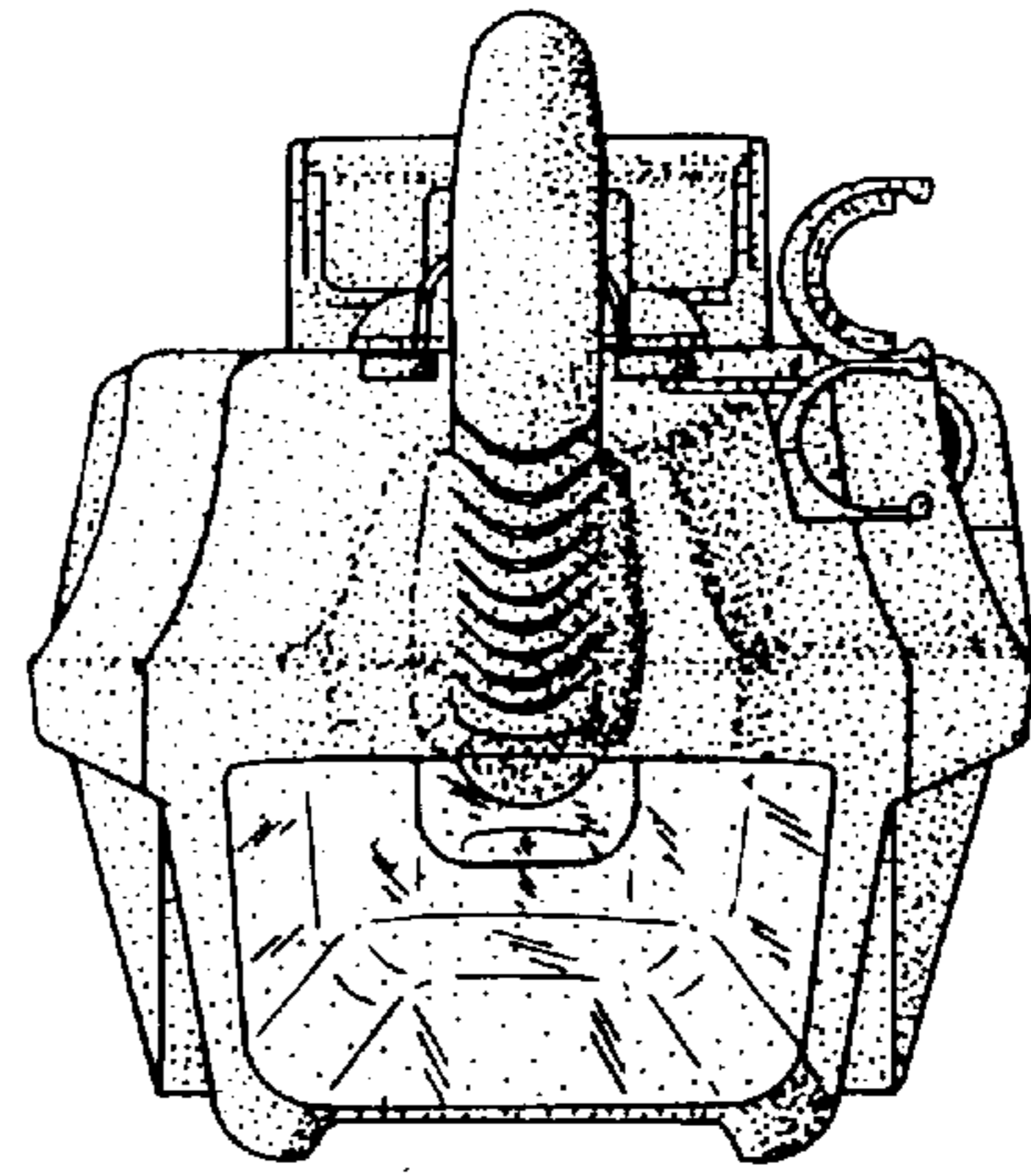


FIG. - 5

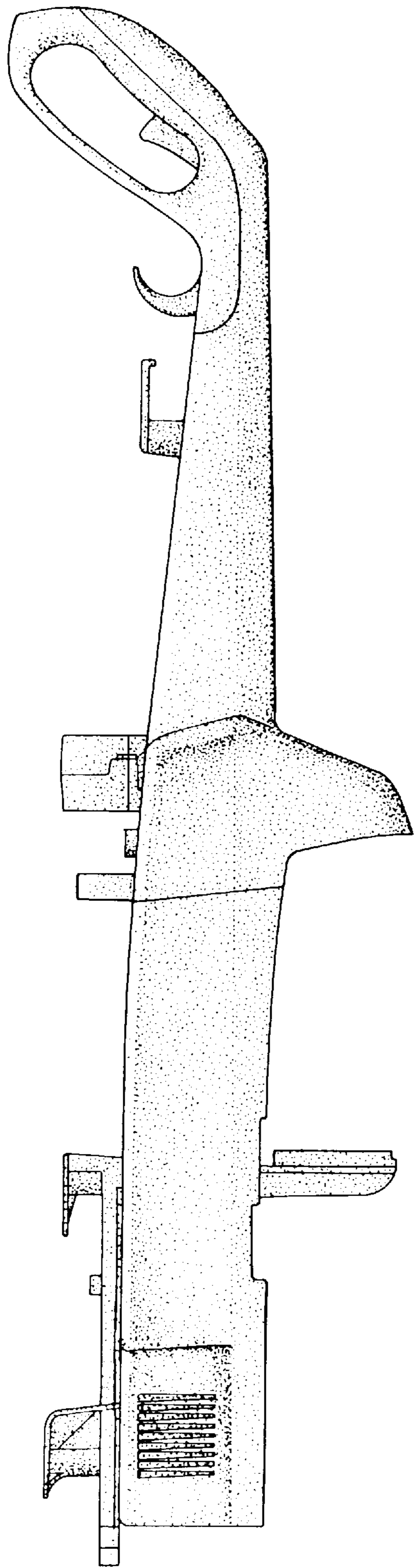


FIG. - 6

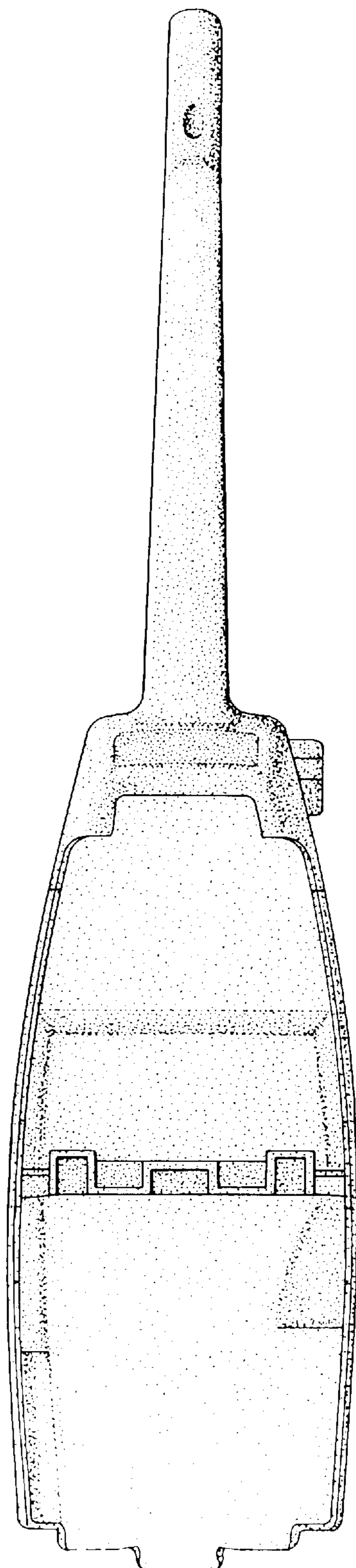


FIG. - 7



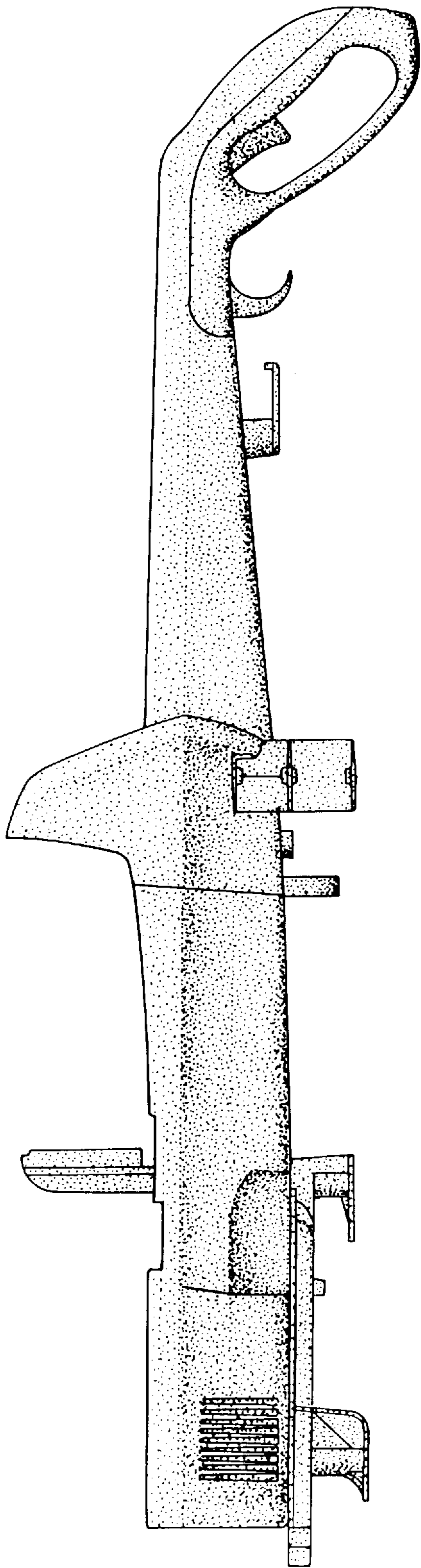


FIG. - 8

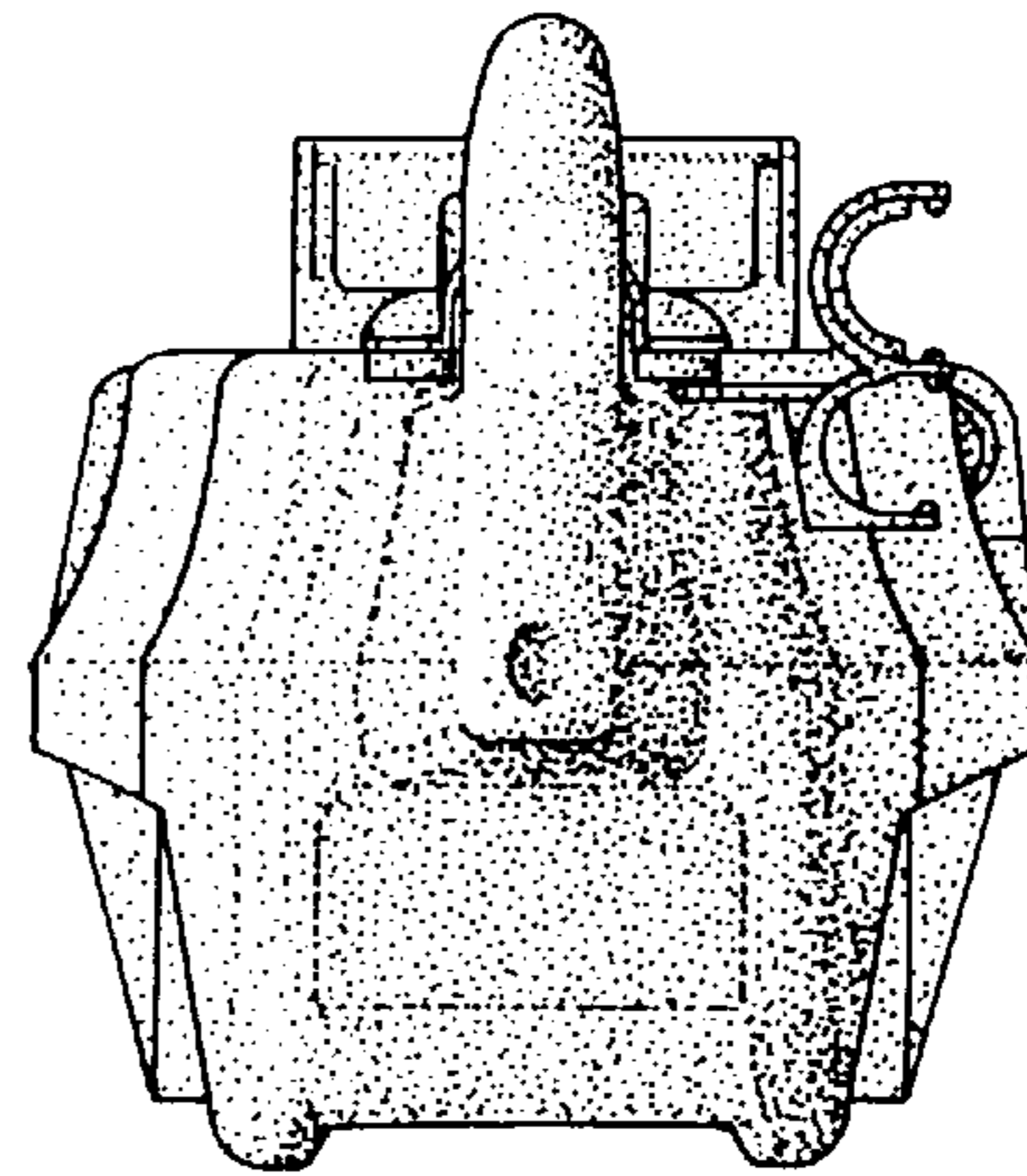
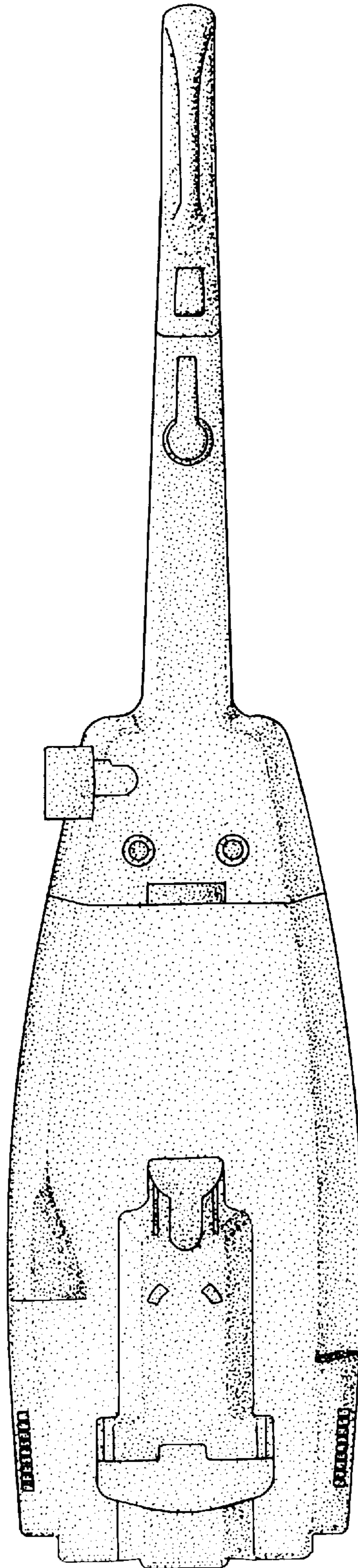


FIG. - 9

FIG. - 10



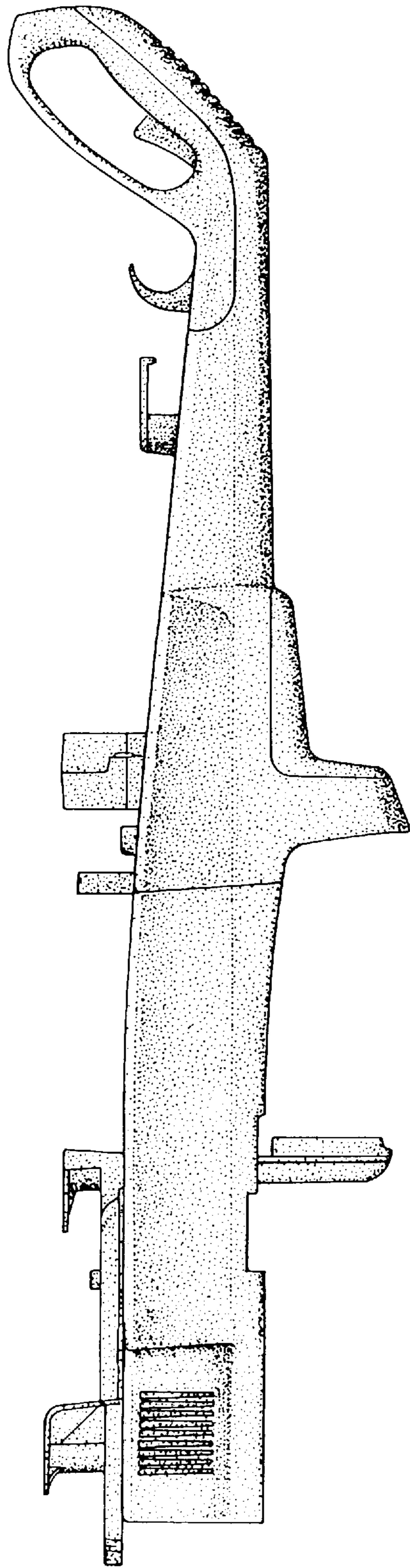


FIG. -11

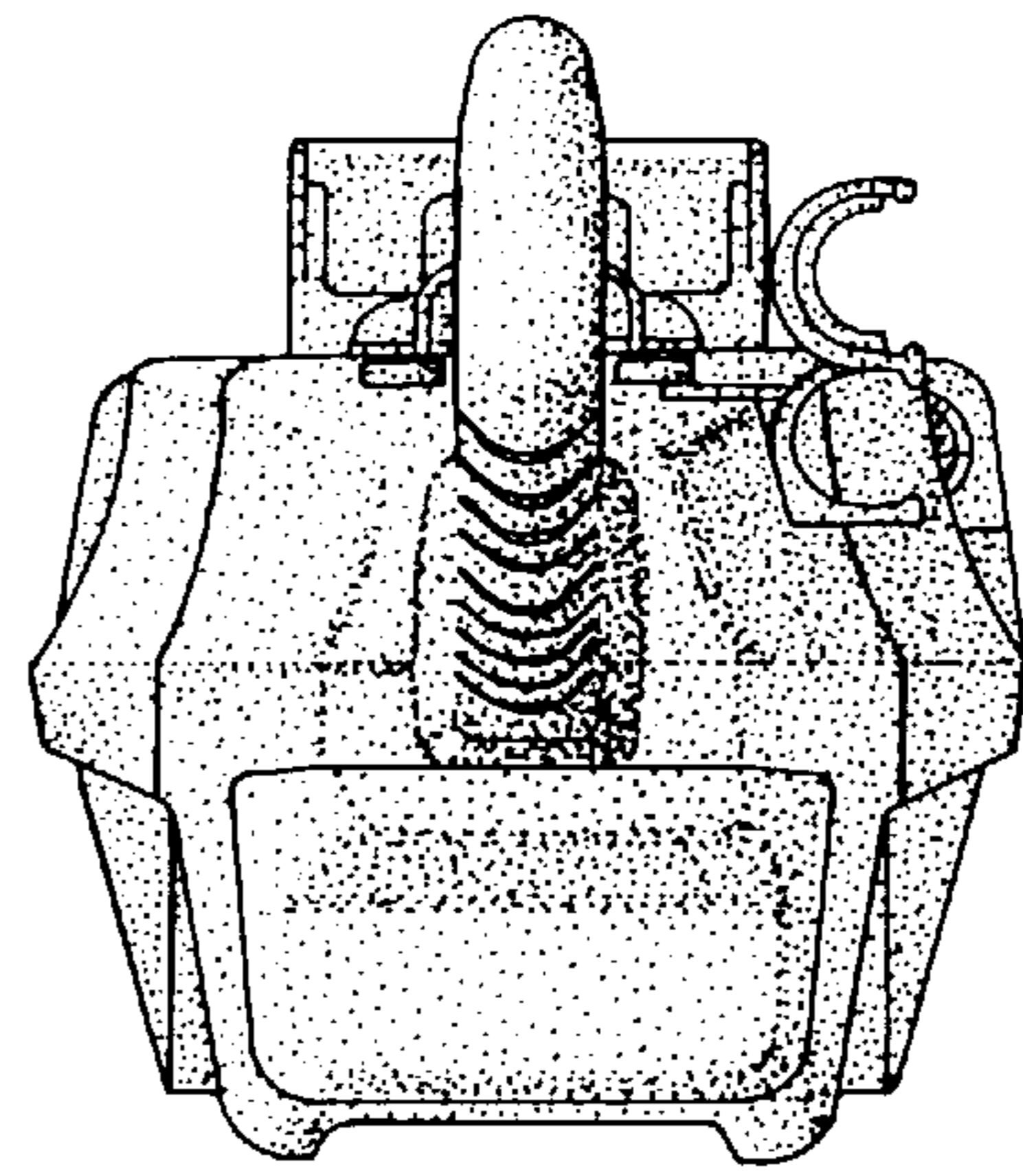


FIG. -12



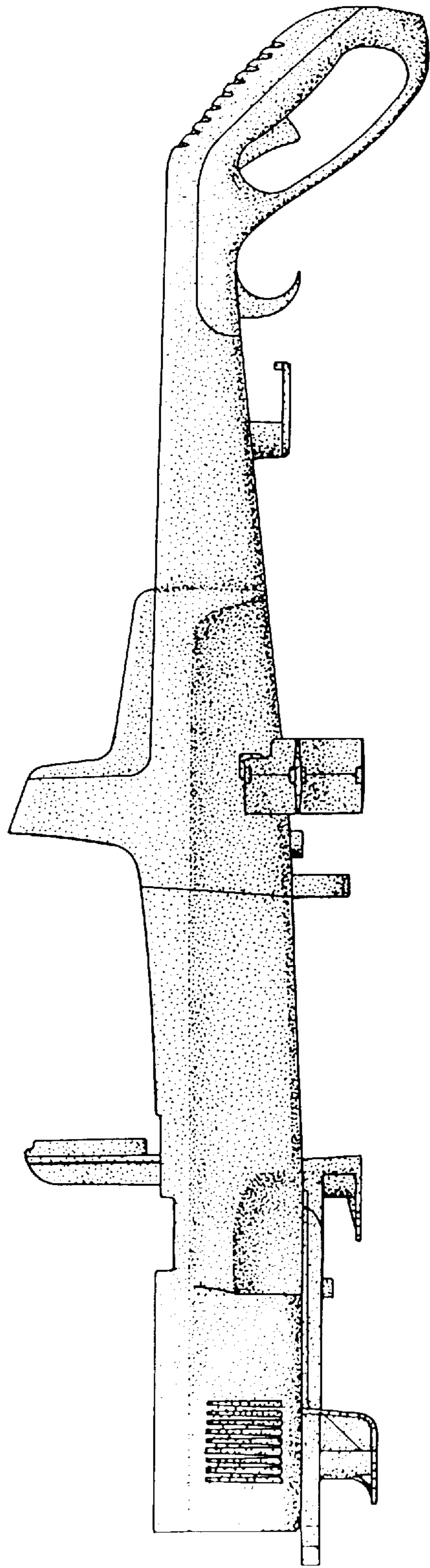


FIG. -13

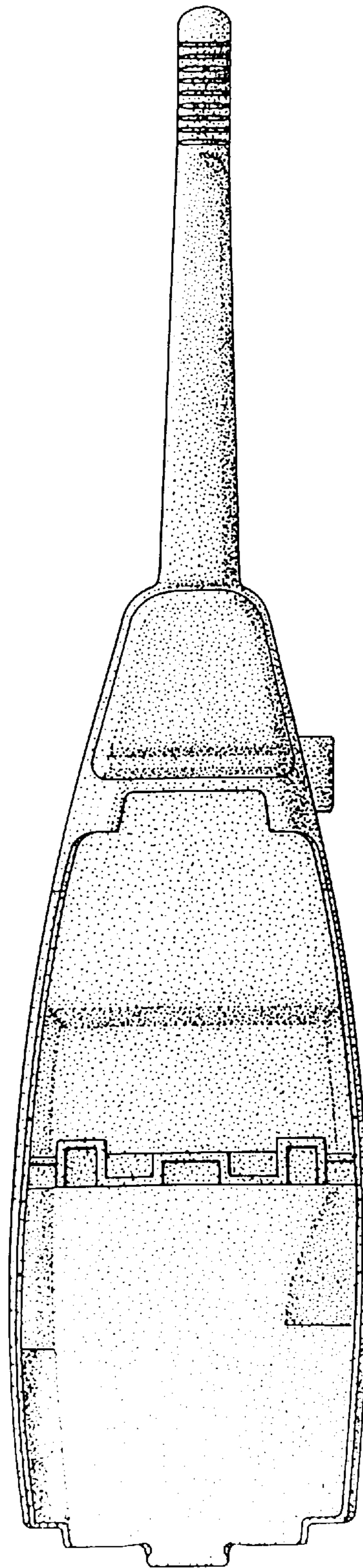


FIG. -14