



US00D403475S

United States Patent [19]

Mehaffey et al.

[11] Patent Number: **Des. 403,475**

[45] Date of Patent: ****Dec. 29, 1998**

[54] **CANISTER VACUUM CLEANER**
[75] Inventors: **David E. Mehaffey**, Danville, Ky.; **Ty S. Rarick**, Houston, Tex.; **Toru Abe**, Kawanishi; **Kazuhiro Fujita**, Kobe, both of Japan

[73] Assignee: **Matsushita Home Appliance Corporation of America**, Danville, Ky.

[**] Term: **14 Years**

[21] Appl. No.: **72,396**

[22] Filed: **Jun. 16, 1997**

[51] **LOC (6) Cl.** **15-05**

[52] **U.S. Cl.** **D32/21**

[58] **Field of Search** D32/1, 15, 21, D32/23; 15/327.2, 327.3, 327.4, 327.5, 327.6

[56] **References Cited**

U.S. PATENT DOCUMENTS

- D. 146,573 4/1947 Karstadt .
- D. 223,509 4/1972 Hohulin et al. .
- D. 243,944 4/1977 Zijlstra .
- D. 246,107 10/1977 Yoshida et al. .
- D. 261,266 10/1981 Yoshida et al. .

- D. 279,614 7/1985 Essex .
- D. 296,944 7/1988 Yamamoto et al. .
- D. 311,613 10/1990 Kuriya D32/21
- D. 311,614 10/1990 Hirano et al. D32/21
- D. 313,680 1/1991 Ichihara et al. .
- D. 315,041 2/1991 Bradd D32/21
- D. 318,937 8/1991 Shinozaki et al. .
- D. 324,929 3/1992 Burns .
- D. 338,293 8/1993 Kojima et al. .
- D. 343,931 2/1994 Tsuruha et al. .
- D. 344,165 2/1994 Kuriya D32/21
- D. 344,373 2/1994 Haverkamp D32/21
- D. 377,854 2/1997 Clouet D32/21

Primary Examiner—Ruth McInroy
Attorney, Agent, or Firm—King and Schickli

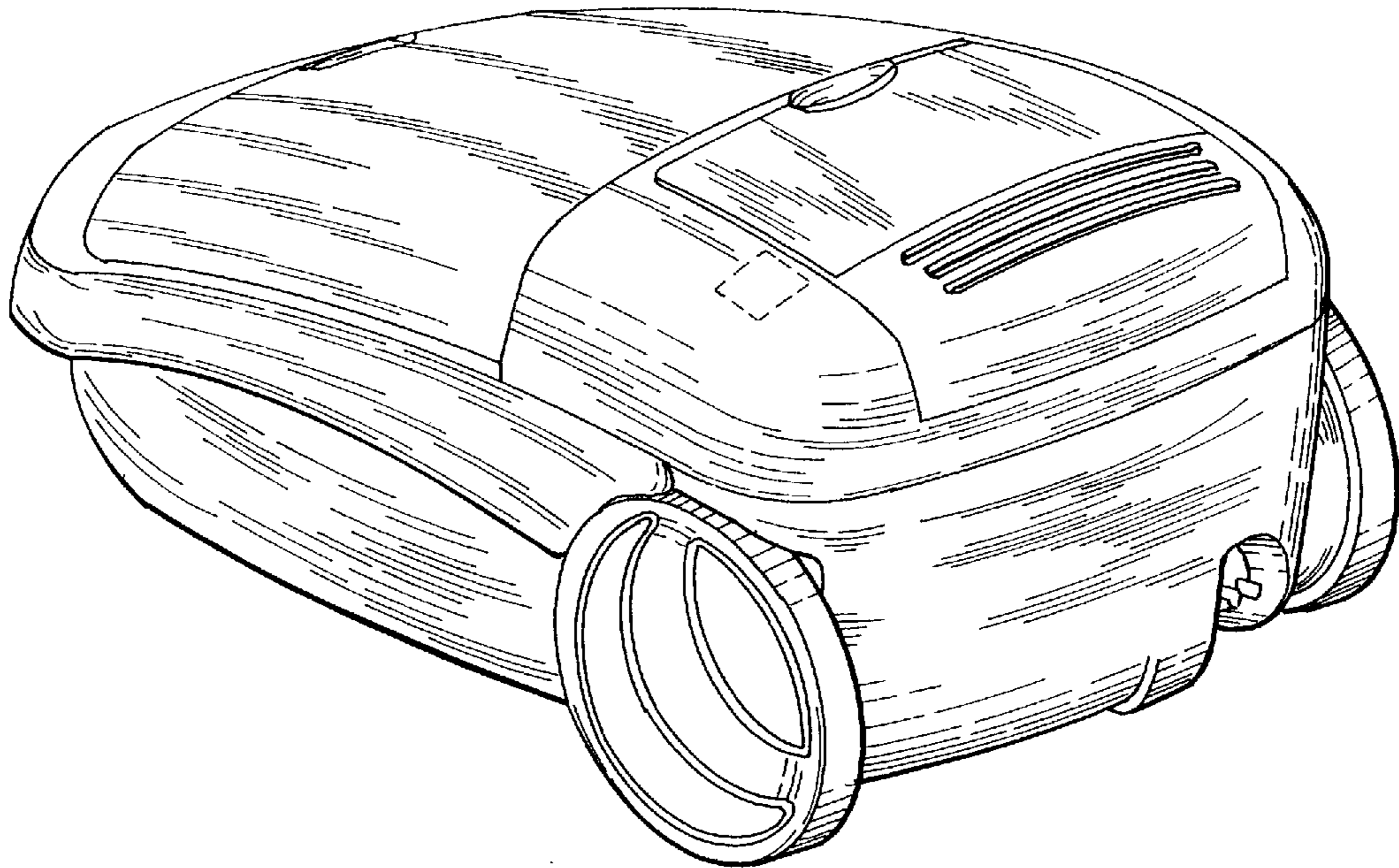
[57] **CLAIM**

The ornamental design of a canister vacuum cleaner, as shown and described.

DESCRIPTION

FIG. 1 is a perspective view of a canister vacuum cleaner showing our new design;
FIG. 2 is a left side elevational view thereof;
FIG. 3 is a rear elevational view thereof;
FIG. 4 is a right side elevational view thereof;
FIG. 5 is a front elevational view thereof;
FIG. 6 is a top plan view thereof; and,
FIG. 7 is a bottom plan view thereof.

1 Claim, 3 Drawing Sheets



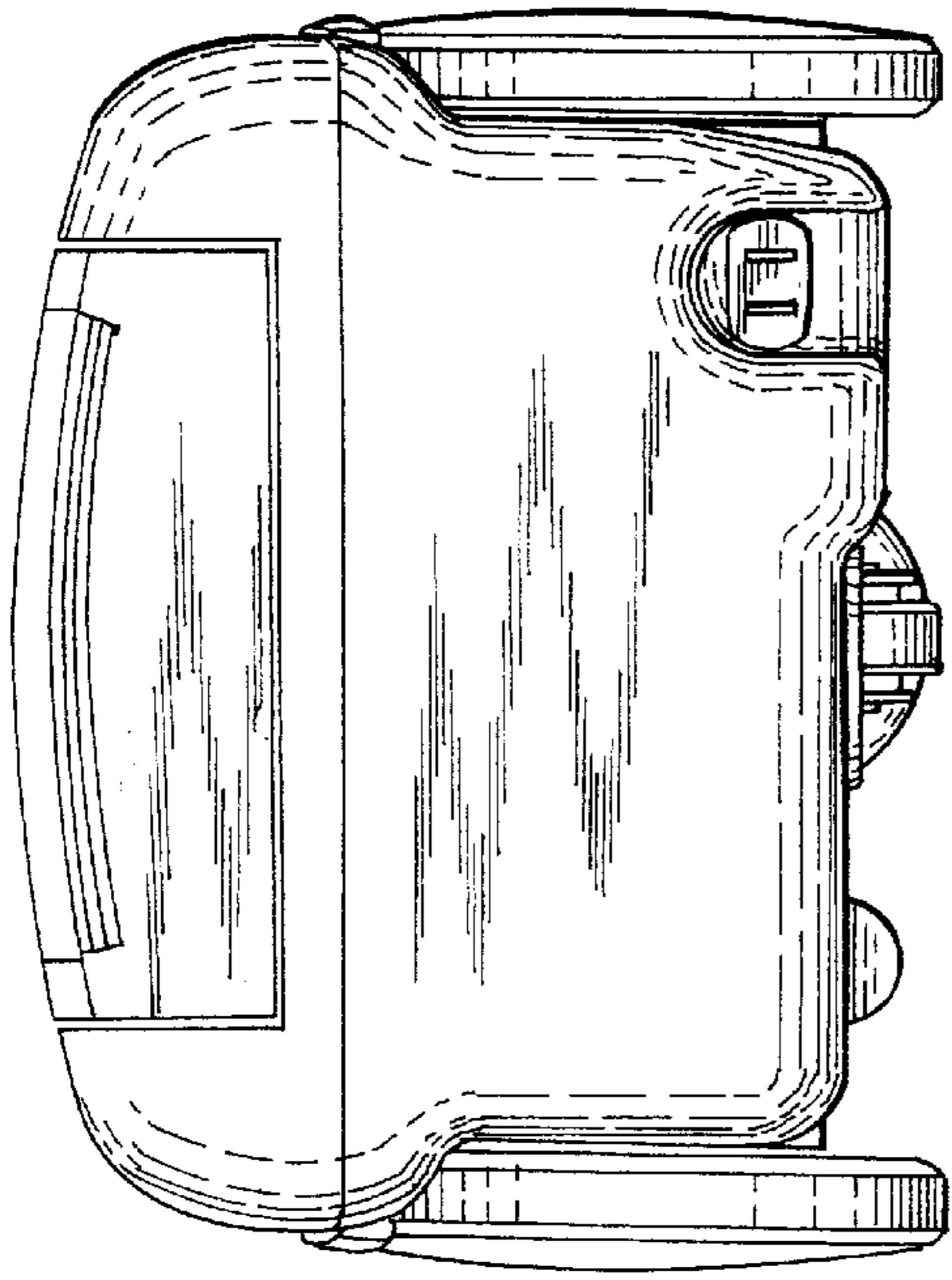


Fig. 3

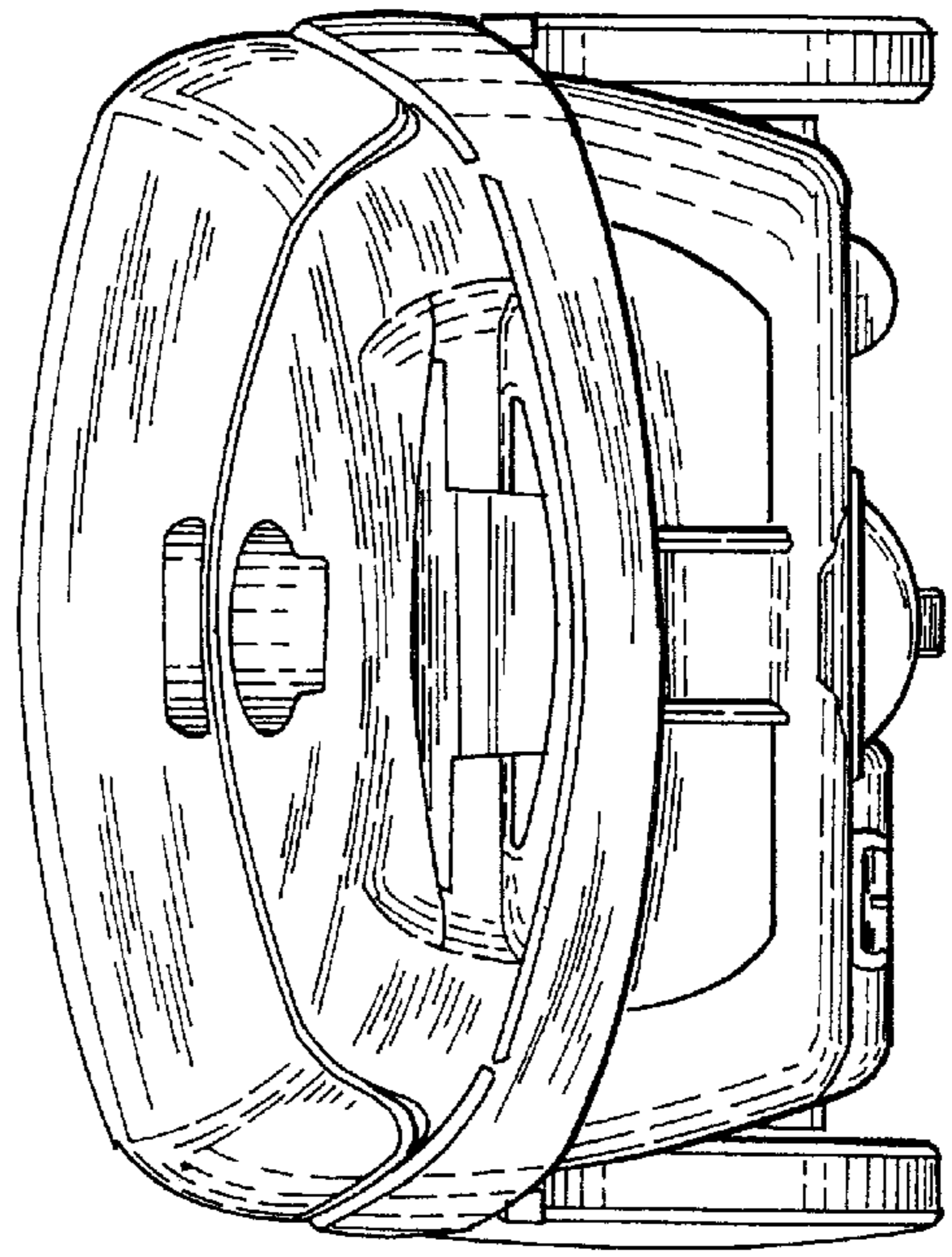


Fig. 5

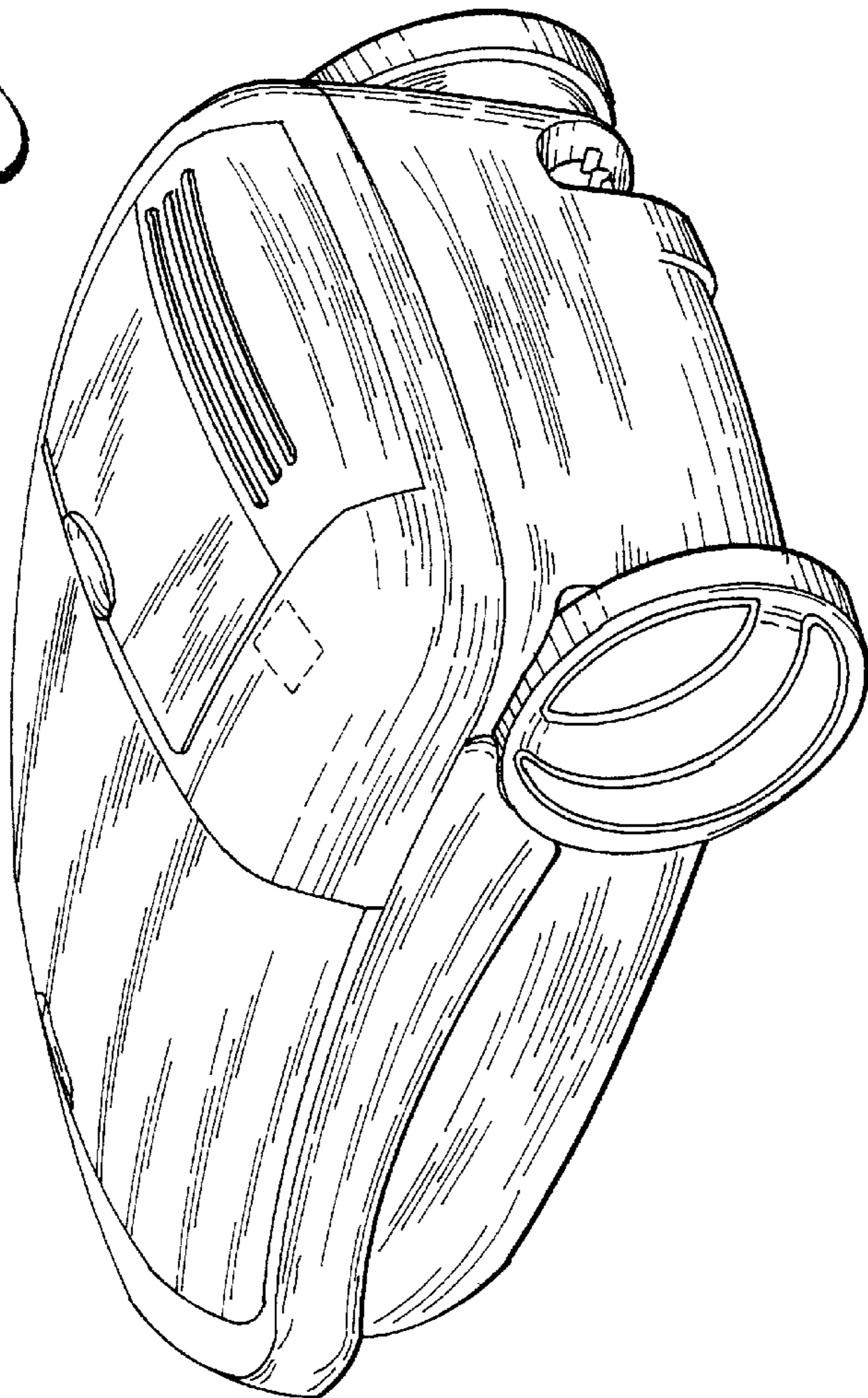


Fig. 1

Fig. 1

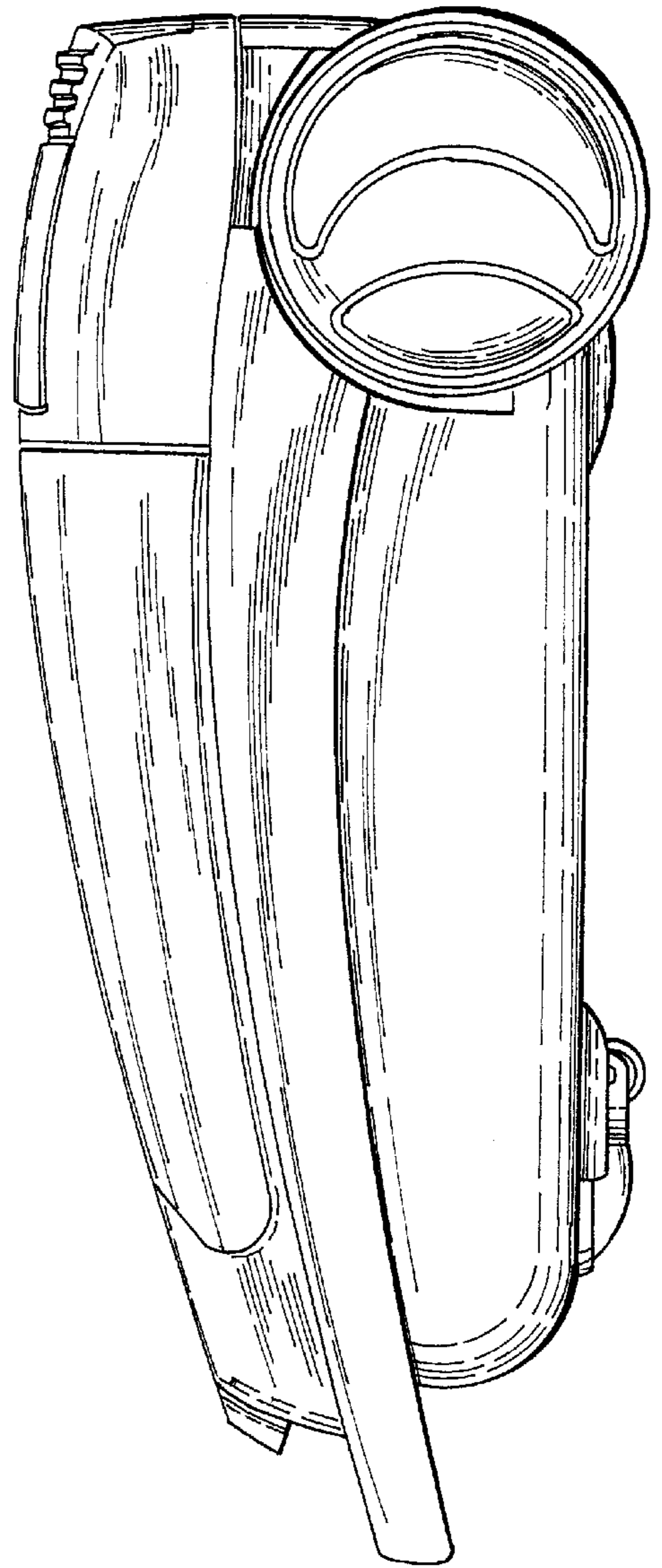
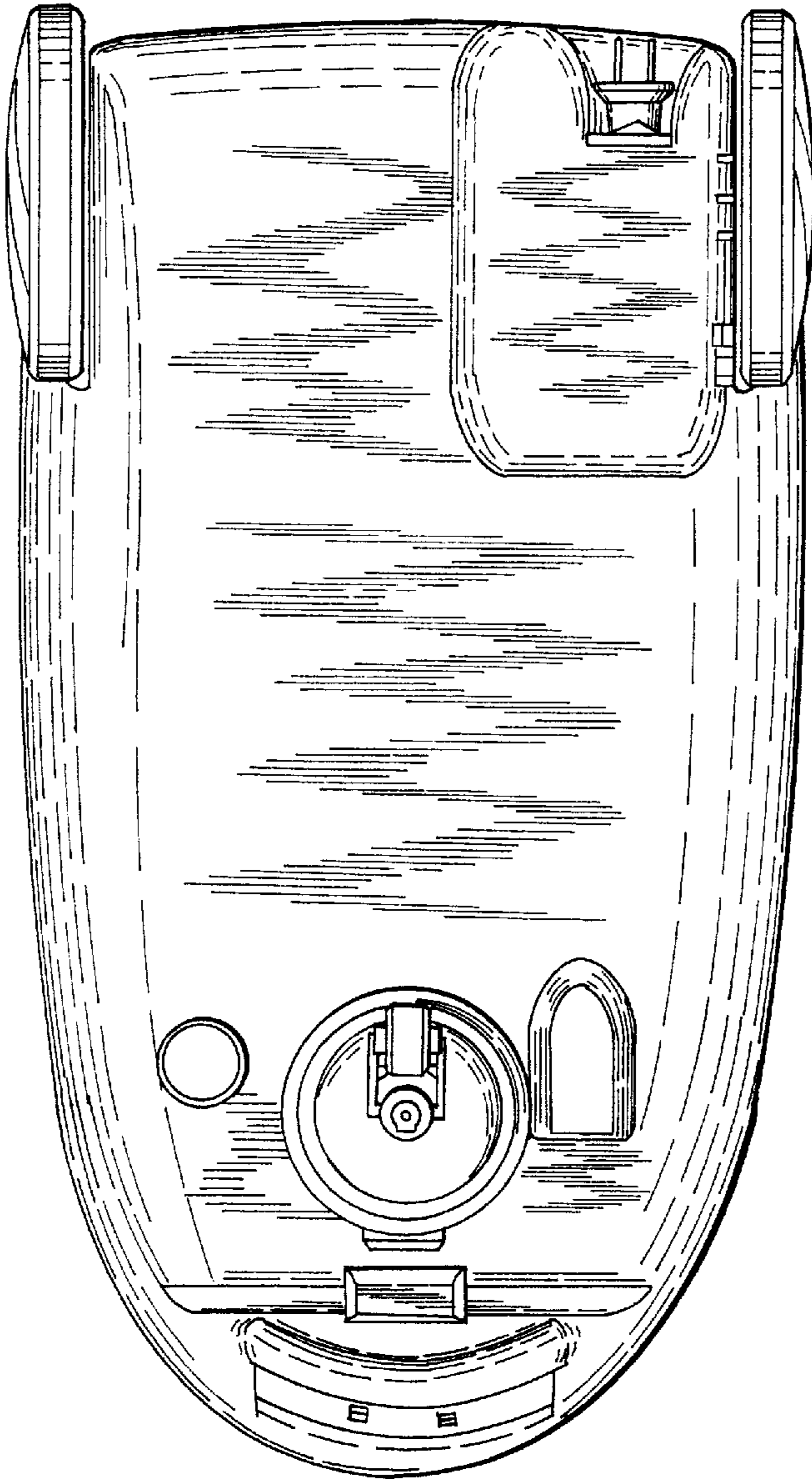


Fig. 2

Fig. 6

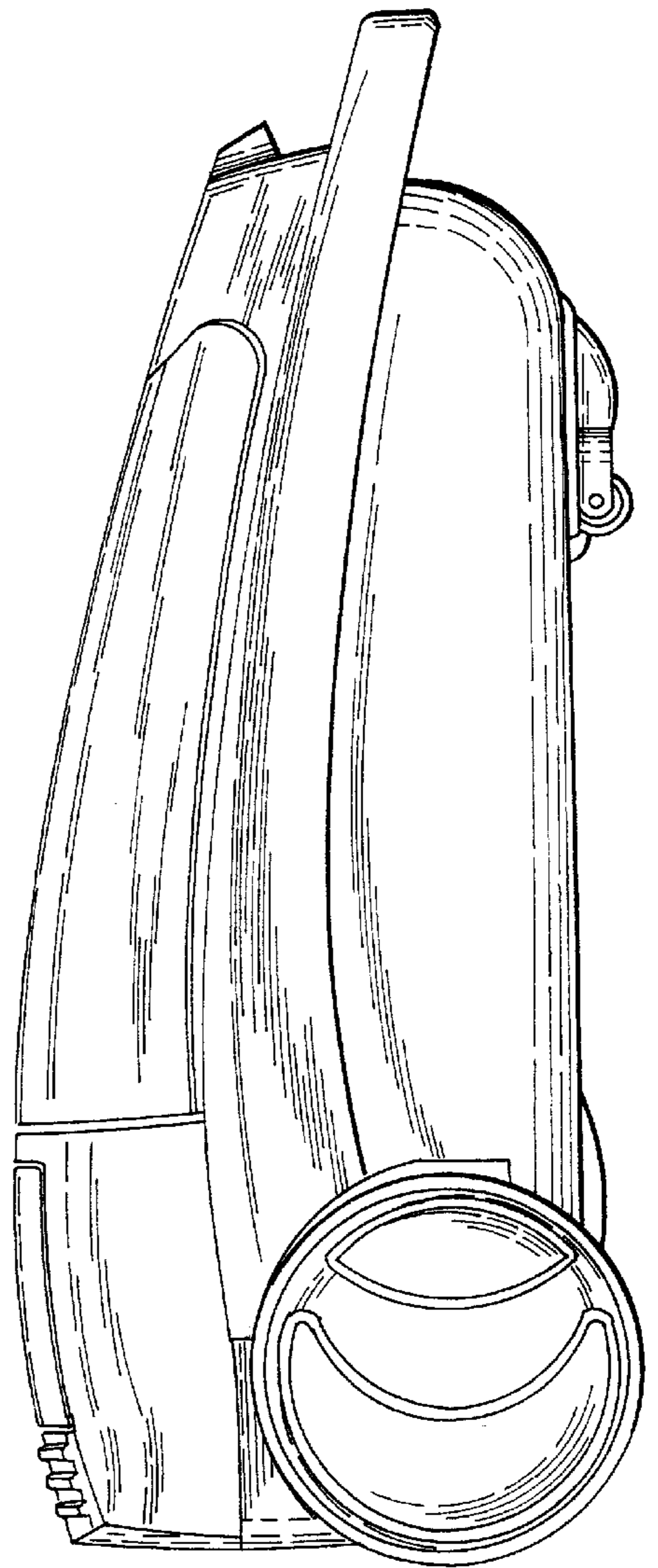
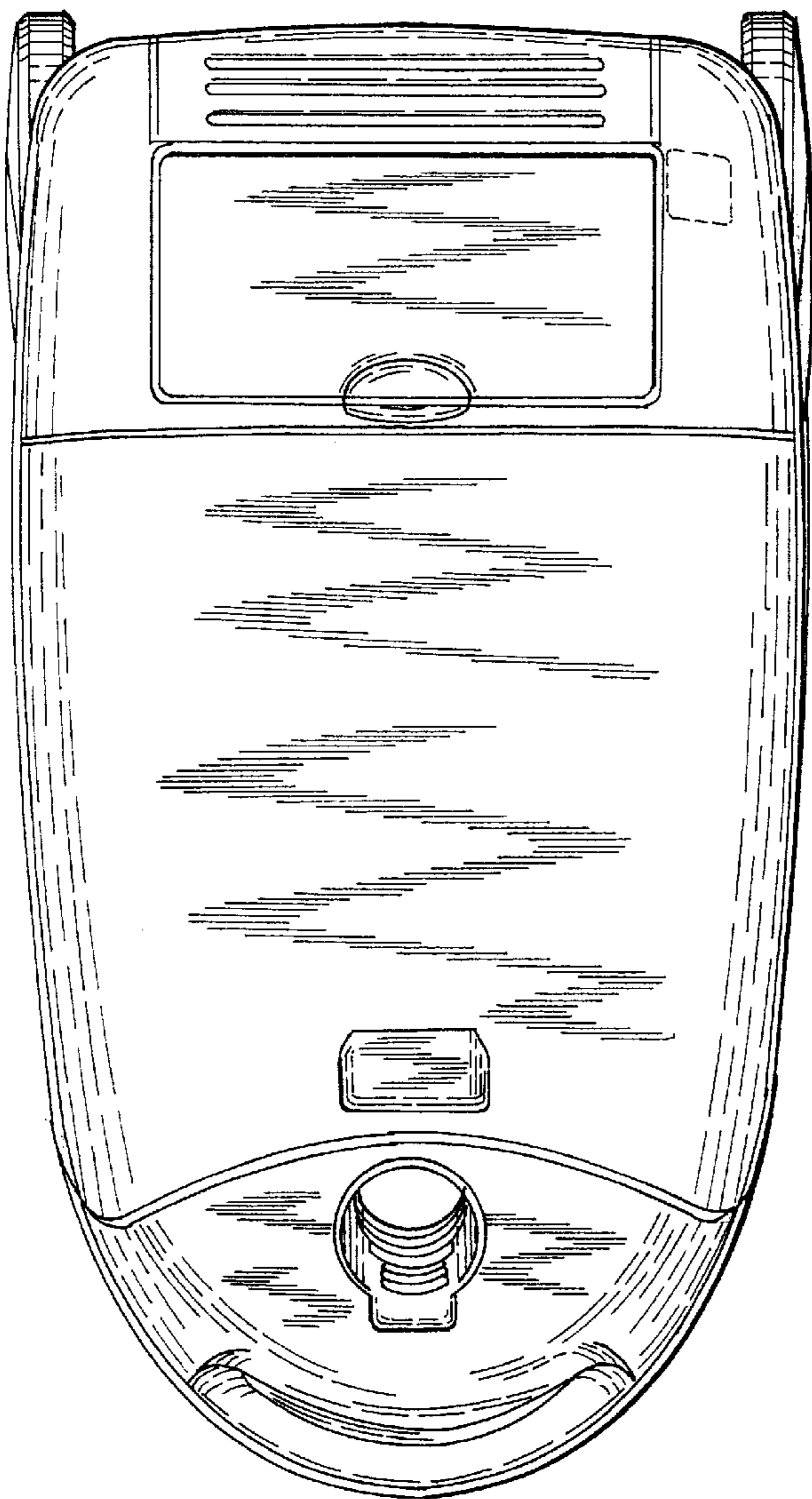


Fig. 24