



US00D403474S

United States Patent [19] Zito

[11] **Patent Number: Des. 403,474**

[45] **Date of Patent: **Dec. 29, 1998**

[54] **HAND HELD CO₂ SNOW CLEANER**

D. 322,341 12/1991 Zito D32/32
D. 372,071 7/1996 Zito D23/213
5,611,491 3/1998 Bowers 239/582.1

[75] Inventor: **Richard R. Zito**, Tucson, Ariz.

[73] Assignee: **Richard R. Zito R & D Corp.**,
Tucson, Ariz.

Primary Examiner—Ruth McInroy

[**] Term: **14 Years**

[57] CLAIM

[21] Appl. No.: **67,645**

The ornamental design for a hand held CO₂ snow cleaner, as shown.

[22] Filed: **Mar. 3, 1997**

DESCRIPTION

[51] **LOC (6) Cl.** **15-05**

FIG. 1 is a perspective view of a hand held CO₂ snow cleaner showing my new design;

[52] **U.S. Cl.** **D32/15**

FIG. 2 is a side elevational view thereof;

[58] **Field of Search** D32/1, 15, 17-18,
D32/25, 32; D23/200, 213, 223, 225, 229;
239/582.1, 71, 575, 650, 664, 689; 602/603;
134/7; 37/227

FIG. 3 is a side elevational view of the opposite side of FIG. 2;

FIG. 4 is a front elevational view thereof;

FIG. 5 is a rear elevational view thereof;

FIG. 6 is a top plan view thereof; and

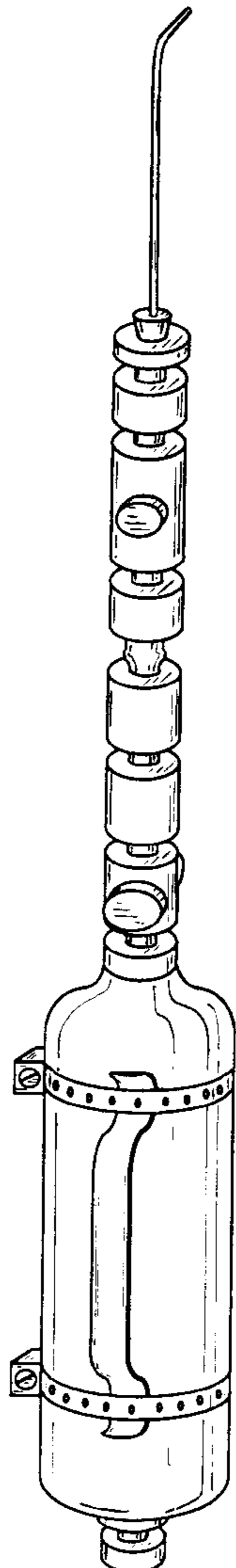
FIG. 7 is a bottom plan view thereof.

[56] References Cited

U.S. PATENT DOCUMENTS

D. 300,769 4/1989 Hindmarch D23/225

1 Claim, 7 Drawing Sheets



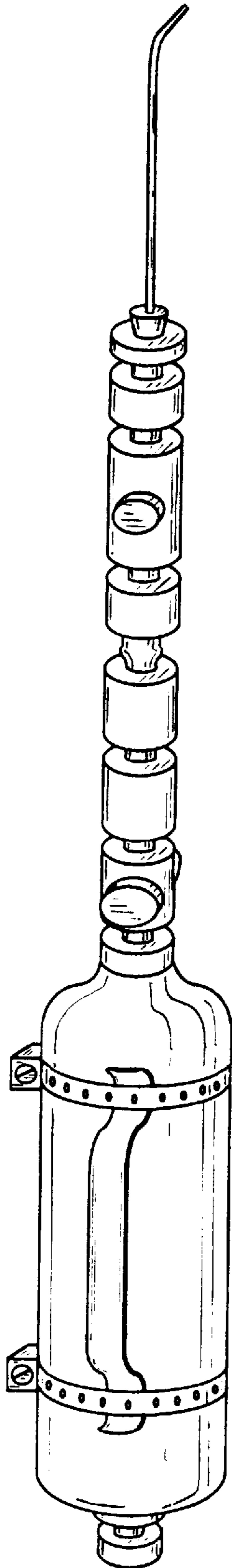


FIG. 1

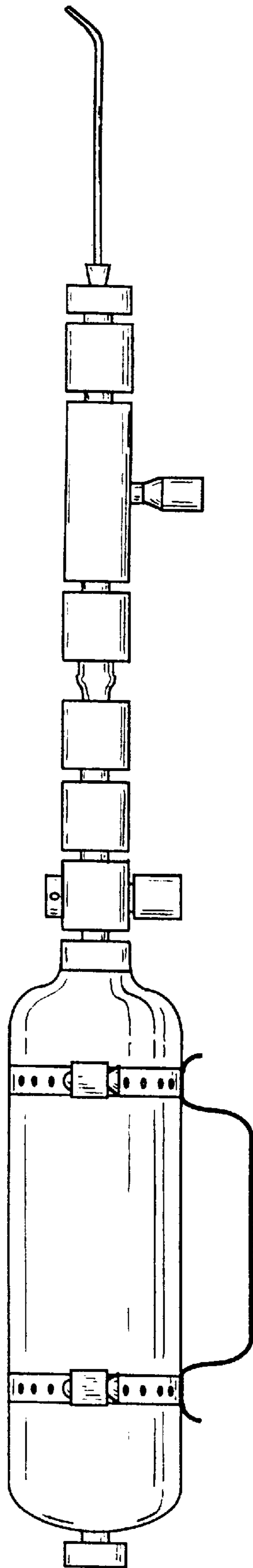


FIG. 2

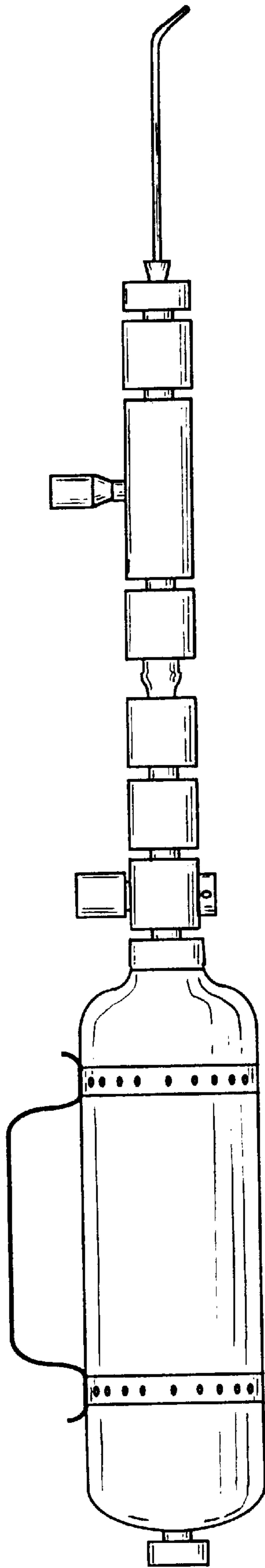


FIG. 3

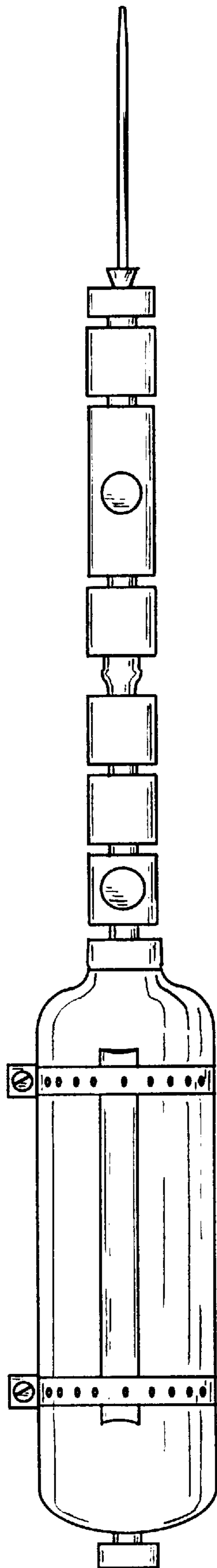


FIG. 4

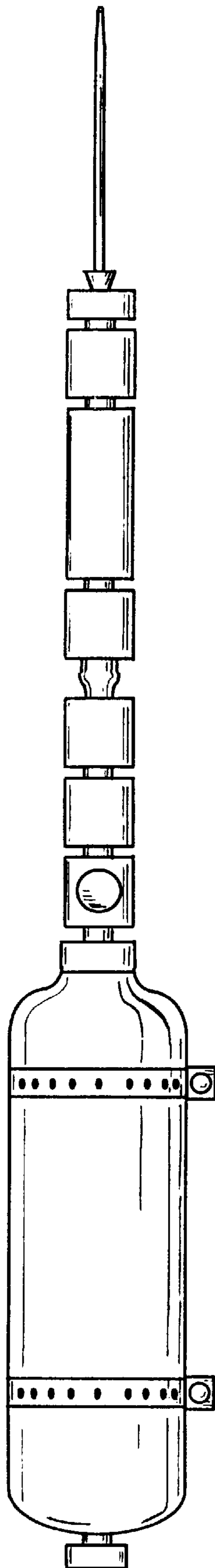


FIG. 5

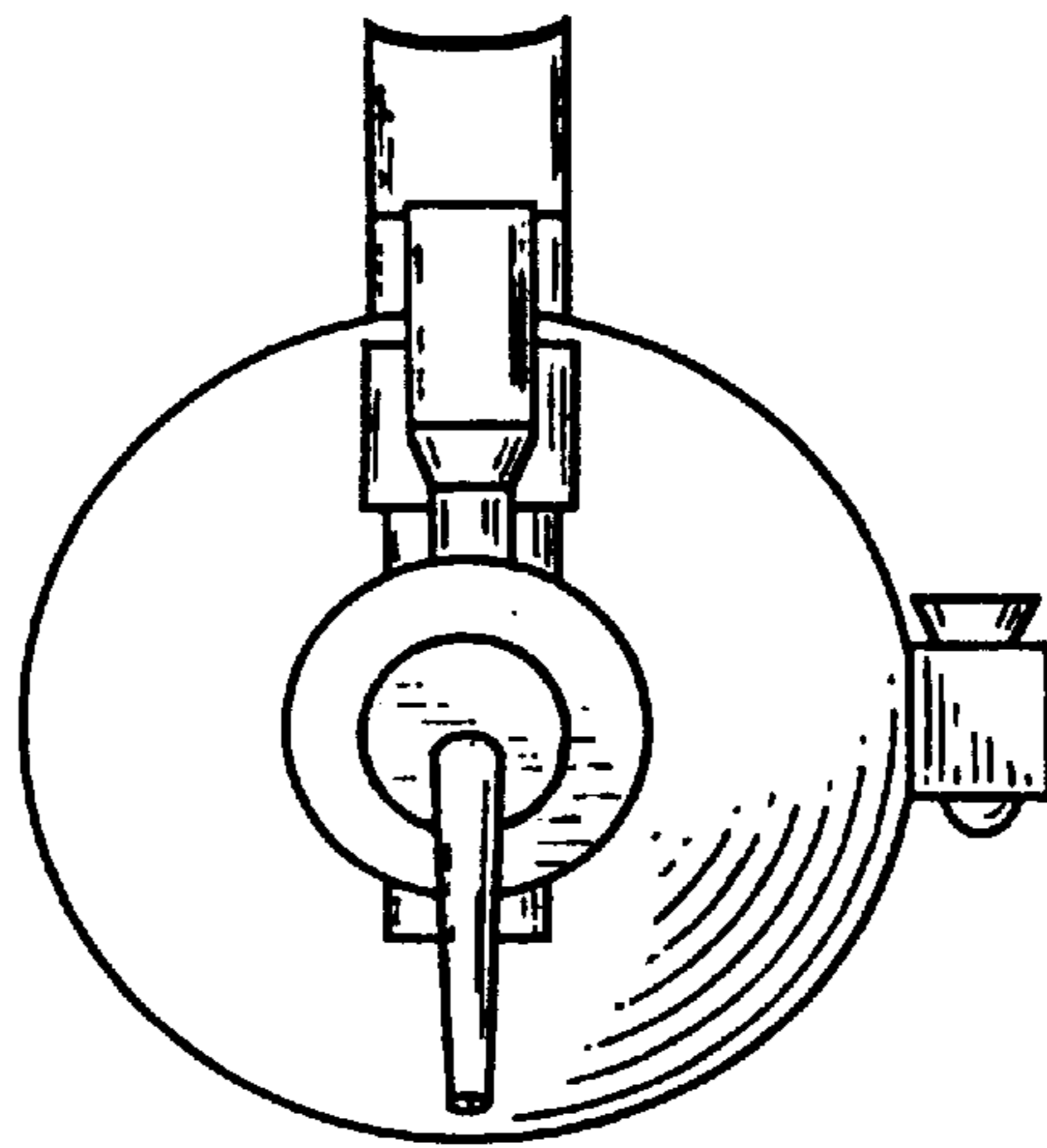


FIG. 6

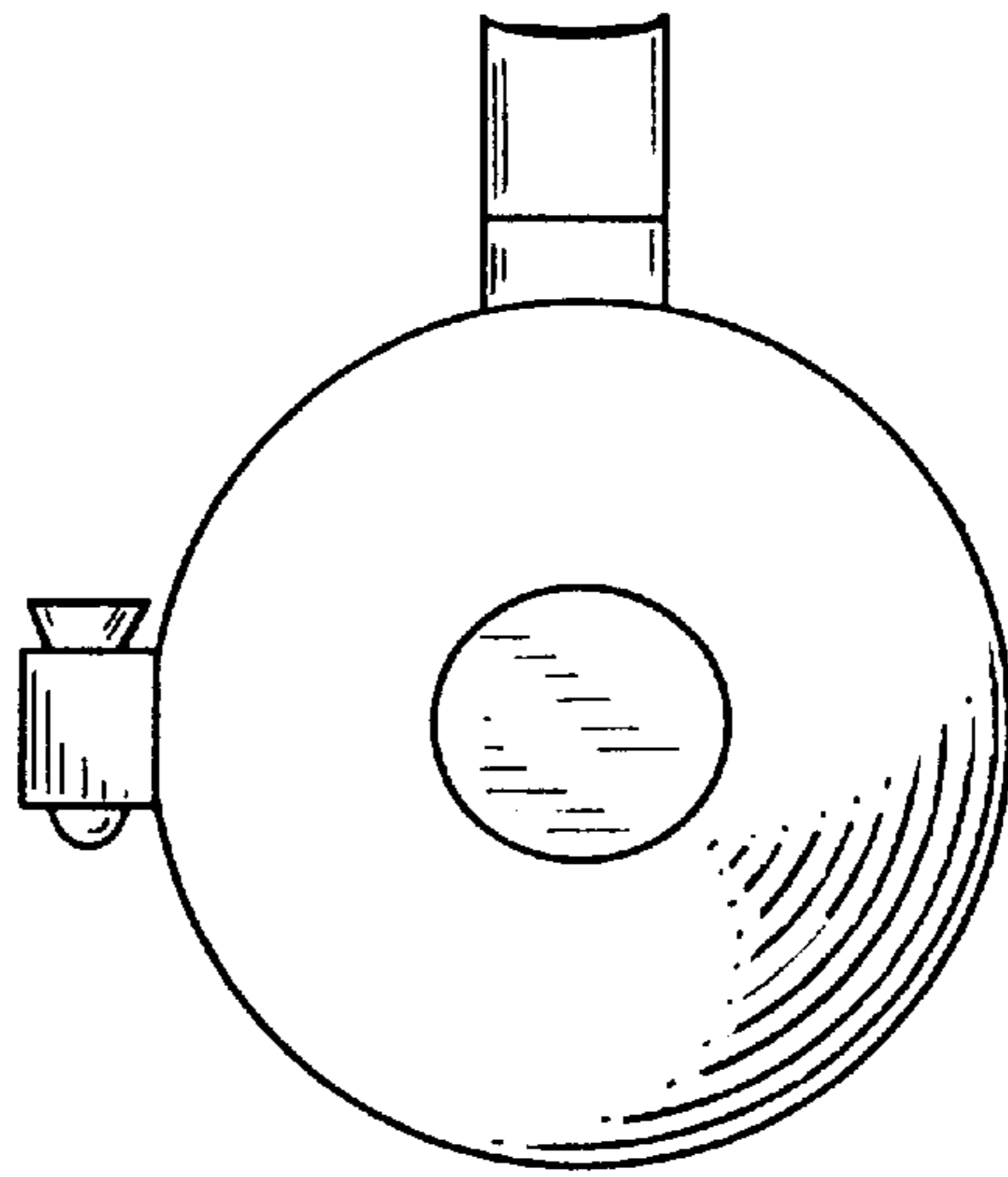


FIG. 7