



US00D403472S

# United States Patent [19]

Goodin et al.

[11] Patent Number: **Des. 403,472**

[45] Date of Patent: **\*\*Dec. 29, 1998**

[54] **PRONGED BASE DISH RACK**

[75] Inventors: **John W. Goodin**, Coto de Caza;  
**Charles W. Jarvis**, Irvine, both of Calif.

[73] Assignee: **Cambro Manufacturing Company**, Huntington Beach, Calif.

[\*\*] Term: **14 Years**

[21] Appl. No.: **82,129**

[22] Filed: **Jan. 15, 1998**

[51] **LOC (6) Cl.** ..... **15-05**

[52] **U.S. Cl.** ..... **D32/3**

[58] **Field of Search** ..... D32/2, 3, 55, 58;  
D3/304, 307, 313, 314; 206/515, 519, 505,  
507; 220/676, DIG. 2; 134/135

[56] **References Cited**

**U.S. PATENT DOCUMENTS**

D. 193,108 6/1962 Ettlenger, Jr. .... D32/3

D. 244,486 5/1977 Johnson et al. .... D3/312  
D. 275,467 9/1984 Massonet ..... D3/313  
D. 349,192 8/1994 Leung ..... D3/313  
5,115,822 5/1992 Nichols ..... 134/135

*Primary Examiner*—Philip S. Hyder  
*Assistant Examiner*—Mitchell I. Siegel  
*Attorney, Agent, or Firm*—George F. Bethel; Patience K. Bethel

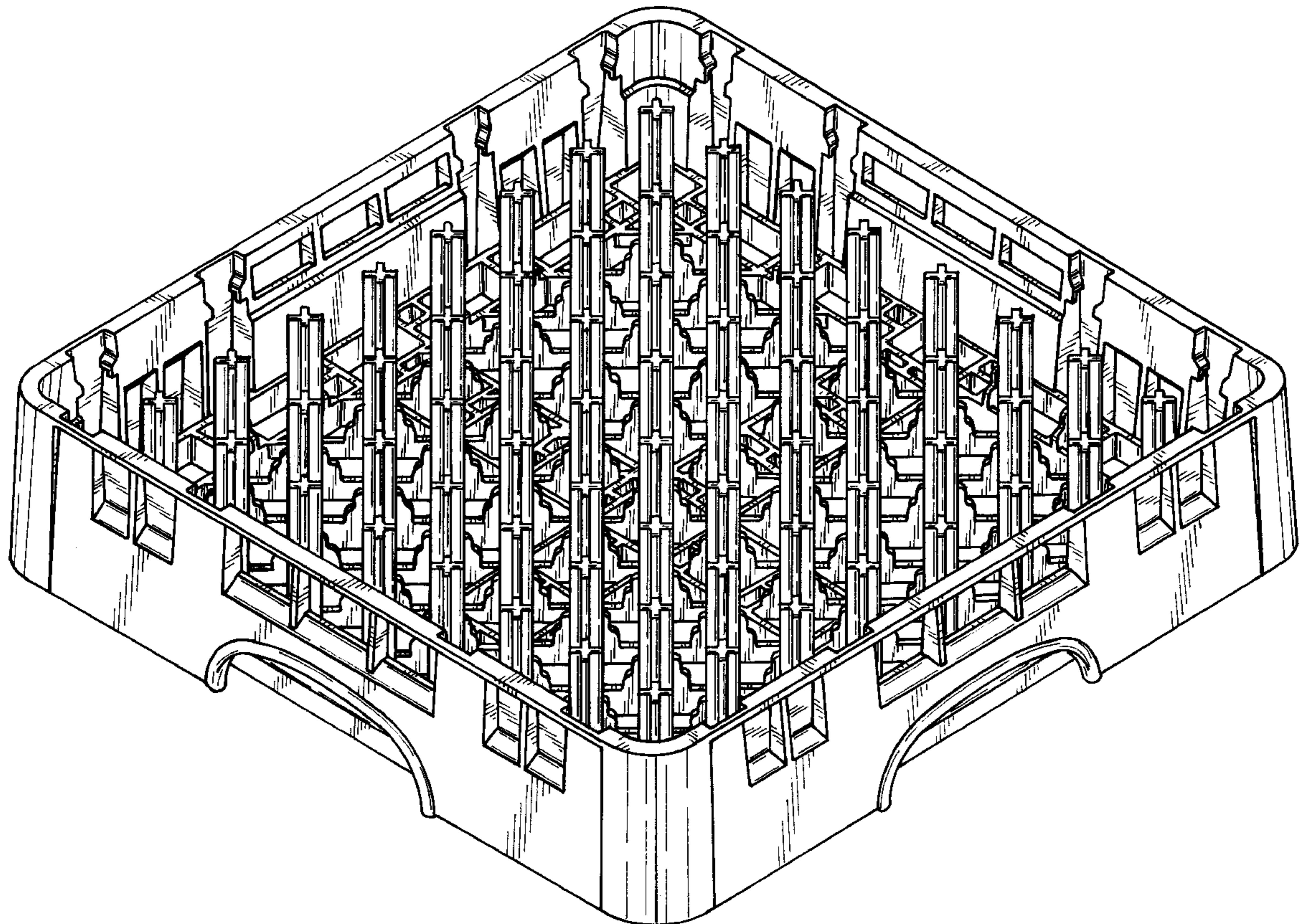
[57] **CLAIM**

The ornamental design for a pronged base dish rack, as shown and described.

**DESCRIPTION**

FIG. 1 shows a perspective view of the pronged base dish rack of our invention;  
FIG. 2 shows a side elevation view that is the same on all sides;  
FIG. 3 shows a top plan view; and,  
FIG. 4 shows a bottom plan view.

**1 Claim, 4 Drawing Sheets**



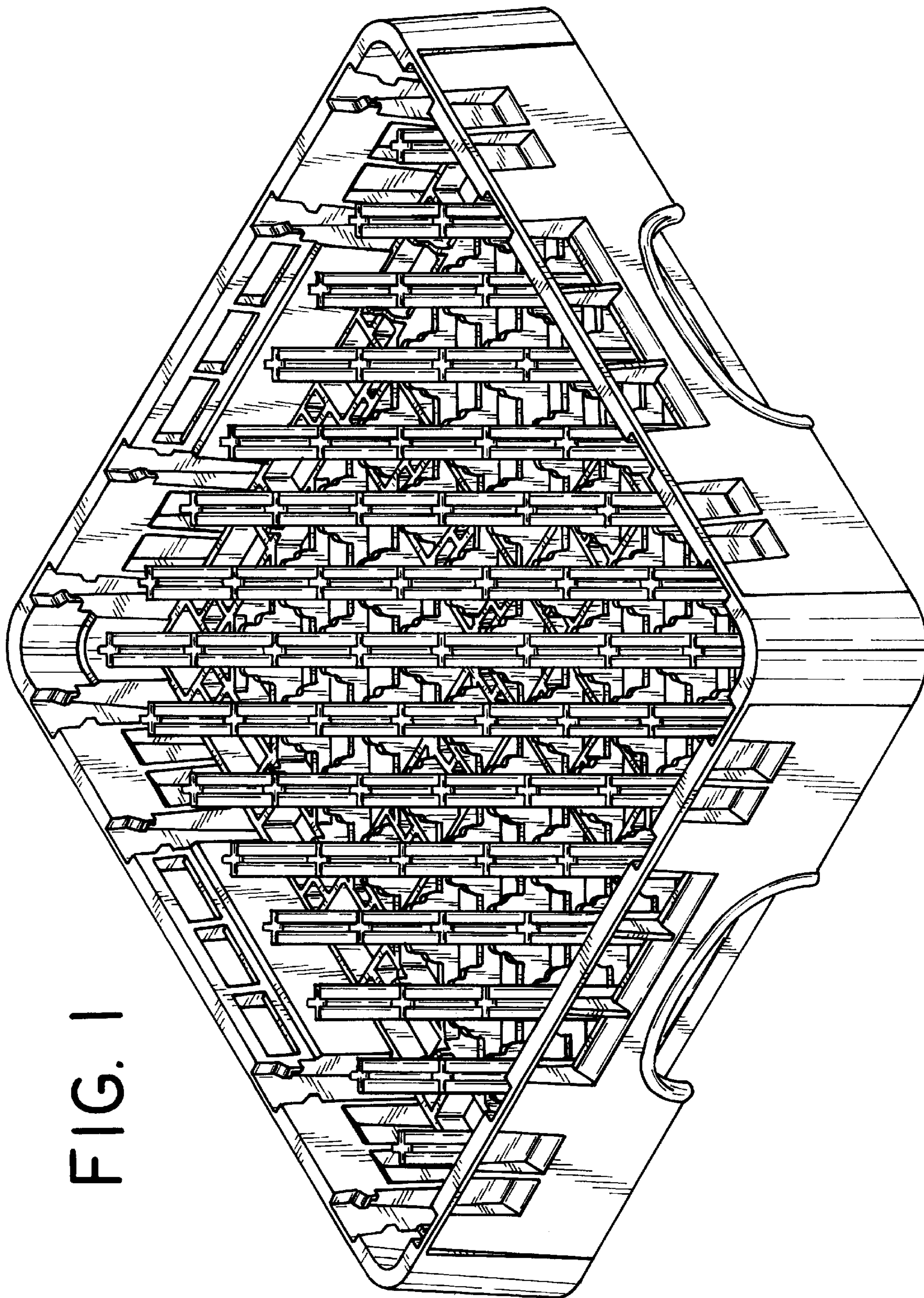


FIG. 1

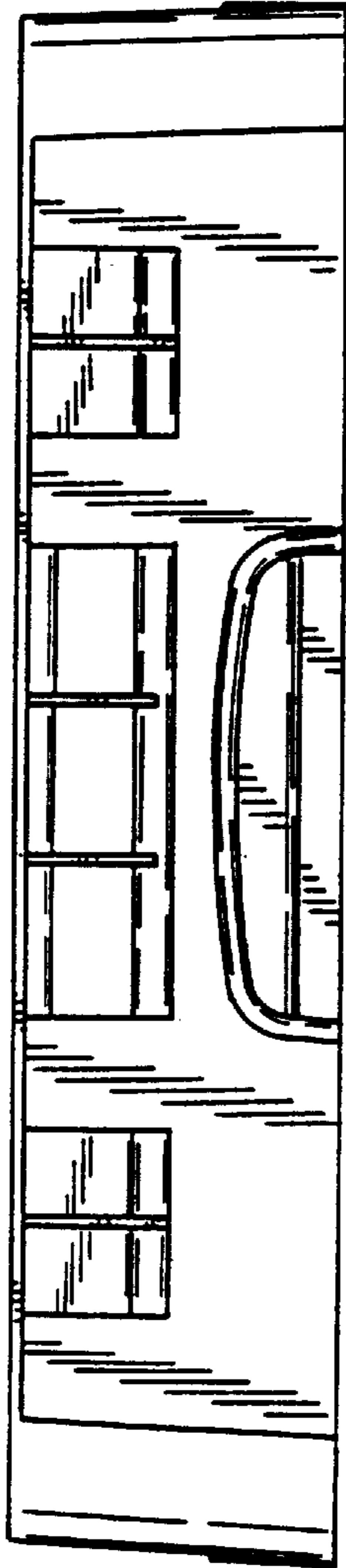


FIG. 2

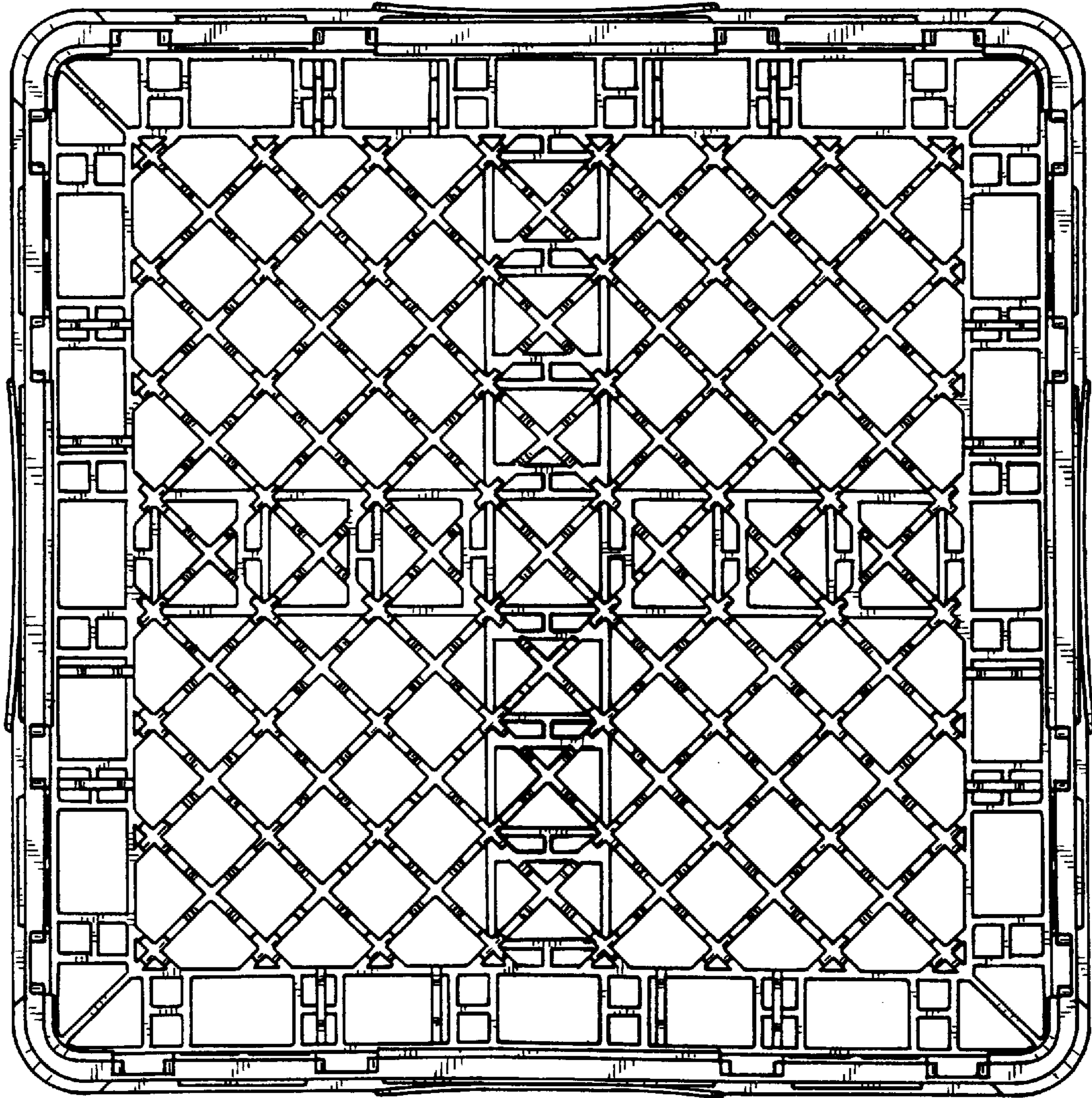


FIG. 3

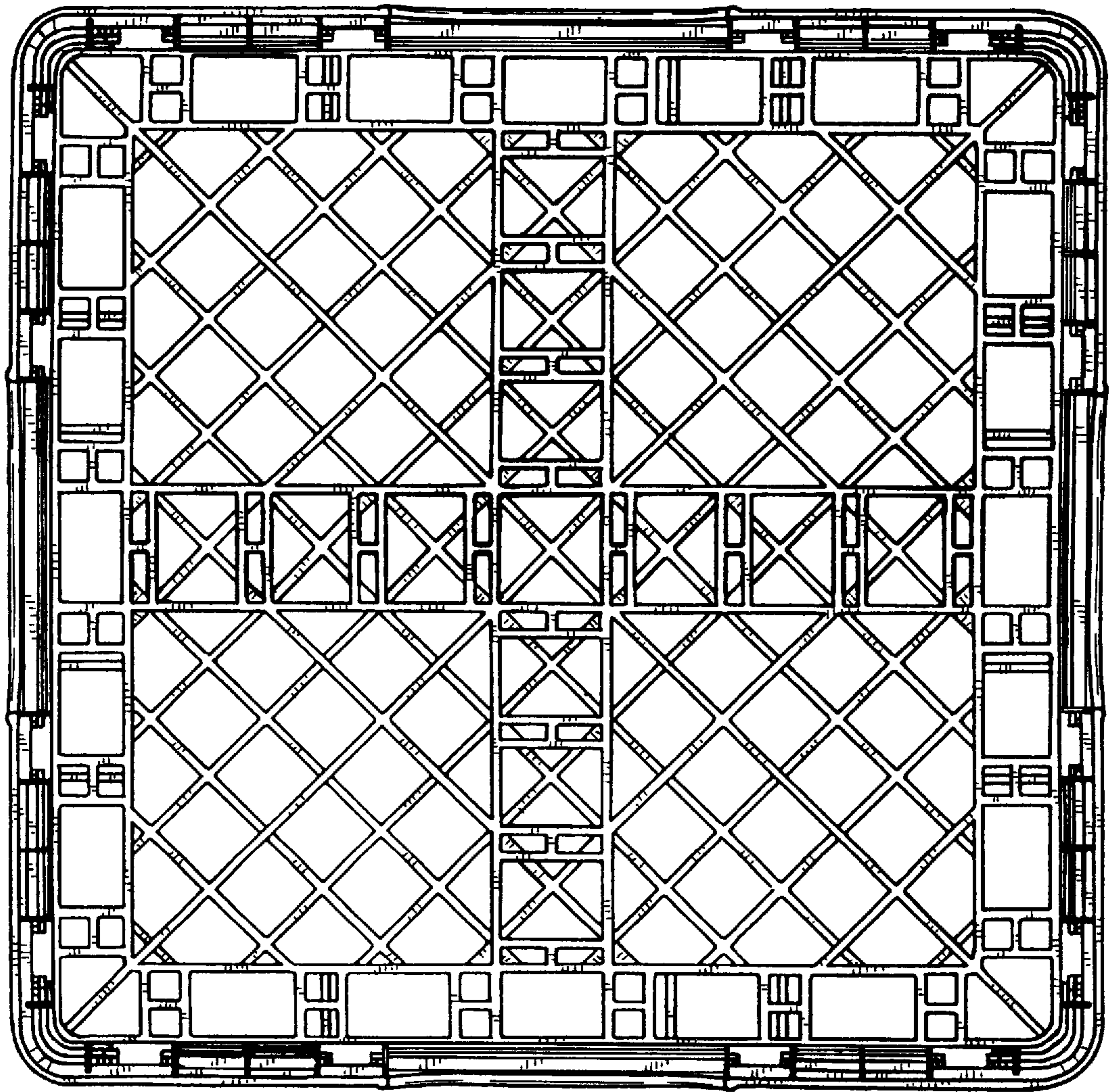


FIG. 4