



US00D403470S

# United States Patent [19]

Litton et al.

[11] Patent Number: **Des. 403,470**

[45] Date of Patent: **\*\*Dec. 29, 1998**

[54] **COMPACT CASE**

[75] Inventors: **Garfield Litton**, Glenrock; **Douglas Brian Silady**, Edison, both of N.J.

[73] Assignee: **Revlon Consumer Products corp**, New York, N.Y.

[\*\*] Term: **14 Years**

[21] Appl. No.: **78,188**

[22] Filed: **Oct. 20, 1997**

[51] **LOC (6) Cl.** ..... **28-03**

[52] **U.S. Cl.** ..... **D28/82**

[58] **Field of Search** ..... D28/76-84, 91; D9/503, 504, 529, 418; 132/286-7, 293-307, 314-316; 206/37, 38, 235, 581, 823; 220/DIG. 26, 377

## [56] References Cited

### U.S. PATENT DOCUMENTS

D. 245,862	9/1977	Bulloch et al. ....	D9/503 X
D. 281,826	12/1985	Bakic .....	D28/83
D. 303,584	9/1989	Bakic .....	D28/91
D. 329,376	9/1992	Burd .....	D9/418
D. 345,033	3/1994	Acker et al. ....	D28/83
D. 373,220	8/1996	Lund .	
D. 373,626	9/1996	Dente et al. ....	D23/366
1,103,859	7/1914	Austin .....	220/4.21
1,463,354	7/1923	Wilson .....	132/295
1,470,884	10/1923	Schmid .....	132/300
1,592,136	7/1926	Davis .	
1,599,652	9/1926	Cranston .	
1,959,629	5/1934	Kasdan et al. .	
2,033,295	3/1936	Parkin .	
2,141,328	12/1938	Younghusband .....	132/293
2,215,309	9/1940	Zell .	
2,449,196	9/1948	Bent .	
2,549,681	4/1951	Goldstaub .....	206/528
3,482,728	12/1969	Flax .....	132/314 X

3,860,016	1/1975	MacKiernan .....	132/294
3,911,936	10/1975	Kingsford .	
4,454,889	6/1984	Contreras .	
4,569,438	2/1986	Sheffler .	
4,586,519	5/1986	Seidler et al. .	
4,681,127	7/1987	Gueret .	
4,781,288	11/1988	Wing .	
5,135,012	8/1992	Kamen et al. .	
5,205,431	4/1993	Zinnbauer .....	206/581 X

### FOREIGN PATENT DOCUMENTS

660447	4/1987	Switzerland .....	132/316
451222	7/1936	United Kingdom .	

### OTHER PUBLICATIONS

Drug & Cosmetic Industry Apr. 1984, p. 58 container on upper left shown by arrow.

Modern Salon Sep. 1987, p. 197—container indicated by arrow "A".

Allure Feb. 1996, p. 34—round cosmetic in lower left corner of page.

Aron C-21 1980, p. 86: lip gloss compact on upper right.

*Primary Examiner*—Ted Shooman

*Assistant Examiner*—C. Tuttle

*Attorney, Agent, or Firm*—Julie Blackburn

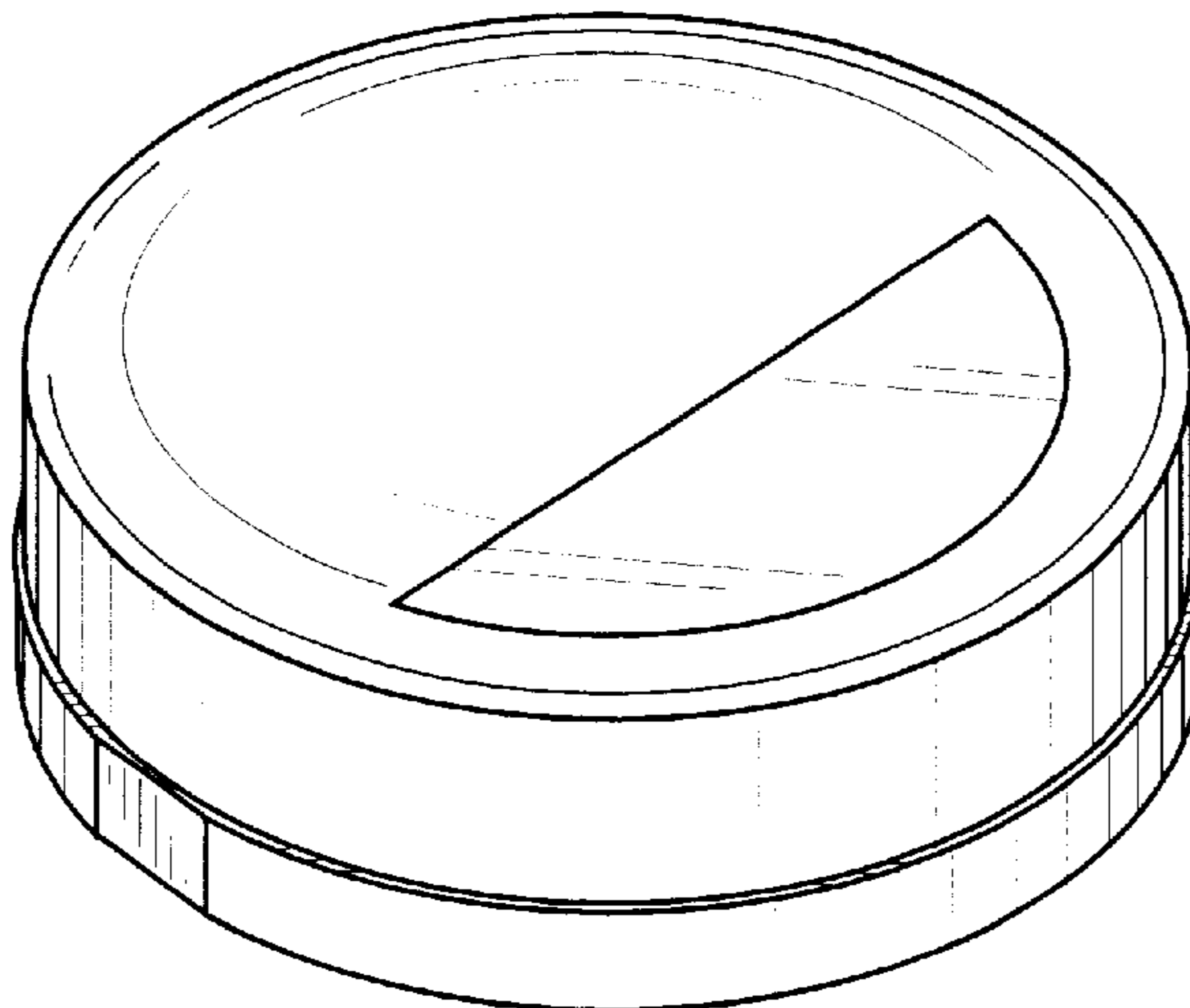
## [57] CLAIM

The ornamental design for a compact case, as shown and described.

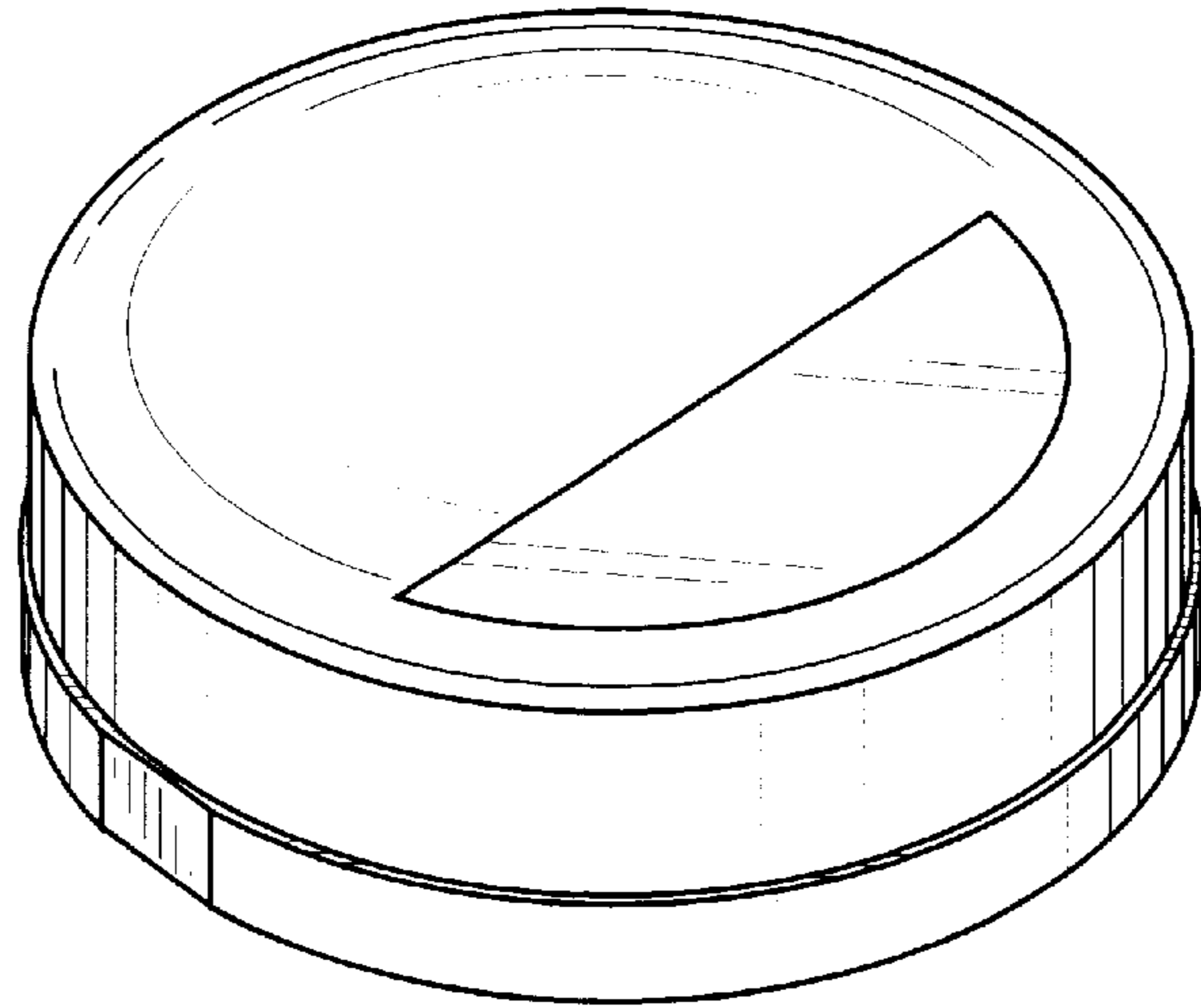
## DESCRIPTION

FIG. 1: is a front perspective view of the compact case;  
FIG. 2: is a top plan view of the compact case;  
FIG. 3: is a right side elevational view of the compact case;  
FIG. 4: is a left side elevational view of the compact case;  
and,  
FIG. 5: is a bottom plan view of the compact case.

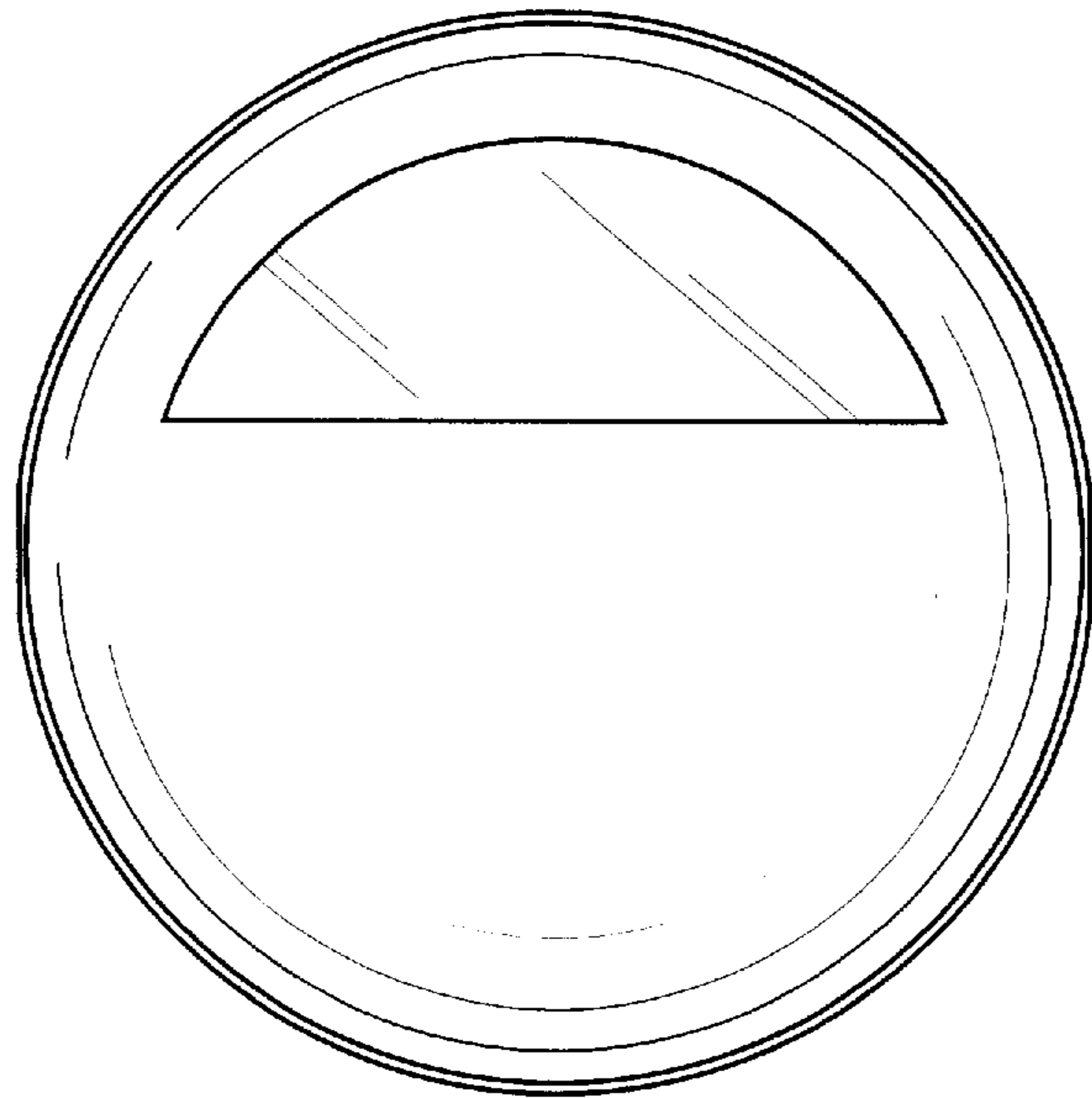
**1 Claim, 2 Drawing Sheets**



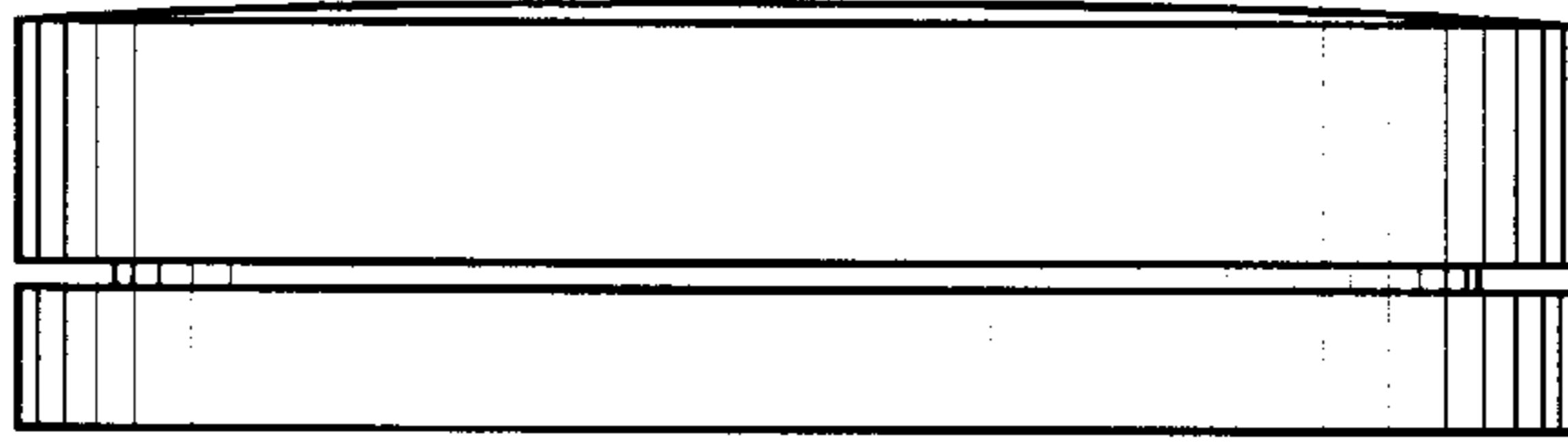
**FIG. 1**



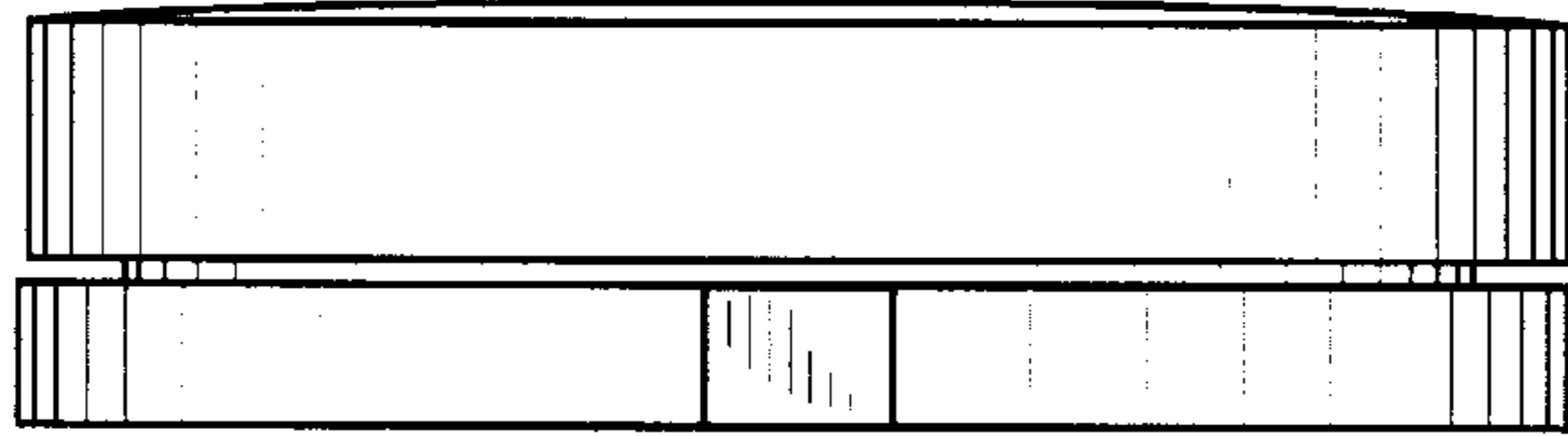
**FIG. 2**



**FIG. 3**



**FIG. 4**



**FIG. 5**

