



US00D403460S

United States Patent [19]

Littman et al.

[11] Patent Number: Des. 403,460

[45] Date of Patent: **Dec. 29, 1998

[54] LIGHTING FIXTURE

[75] Inventors: Sandra E. Littman; Karina S. Kaufman, both of New York, N.Y.

[73] Assignee: Sandy Littman, Inc., New York, N.Y.

[**] Term: 14 Years

[21] Appl. No.: 82,027

[22] Filed: Jan. 13, 1998

Related U.S. Application Data

[62] Division of Ser. No. 72,048, Jun. 12, 1997, Pat. No. Des. 394,520, which is a division of Ser. No. 48,306, Dec. 26, 1995, Pat. No. Des. 386,282.

[51] LOC (6) Cl. 26-05

[52] U.S. Cl. D26/90

[58] Field of Search D26/72, 80-92;
362/147, 404-408

[56] References Cited

U.S. PATENT DOCUMENTS

D. 87,213 6/1932 Hoffman D26/90

D. 361,152 8/1995 Corbett D26/90
1,142,597 6/1915 Manwaring 362/408
1,277,934 9/1918 Hufschmidt 362/406 X

OTHER PUBLICATIONS

Corbett lighting suppliment, p. 19, chandelier, top, right, 1992.

Kalco Lighting, Inc., catalog, p. 1, chandelier, 1994.

Primary Examiner—Susan J. Lucas
Attorney, Agent, or Firm—Schweitzer Cornman Gross & Bondell LLP

[57] CLAIM

We claim the ornamental design for a lighting fixture, as shown and described.

DESCRIPTION

FIG. 1 is a side elevational view of the lighting fixture embodying our new design, all sides being identical; FIG. 2 is a top plan view thereof; and, FIG. 3 is a bottom plan view thereof.

1 Claim, 3 Drawing Sheets

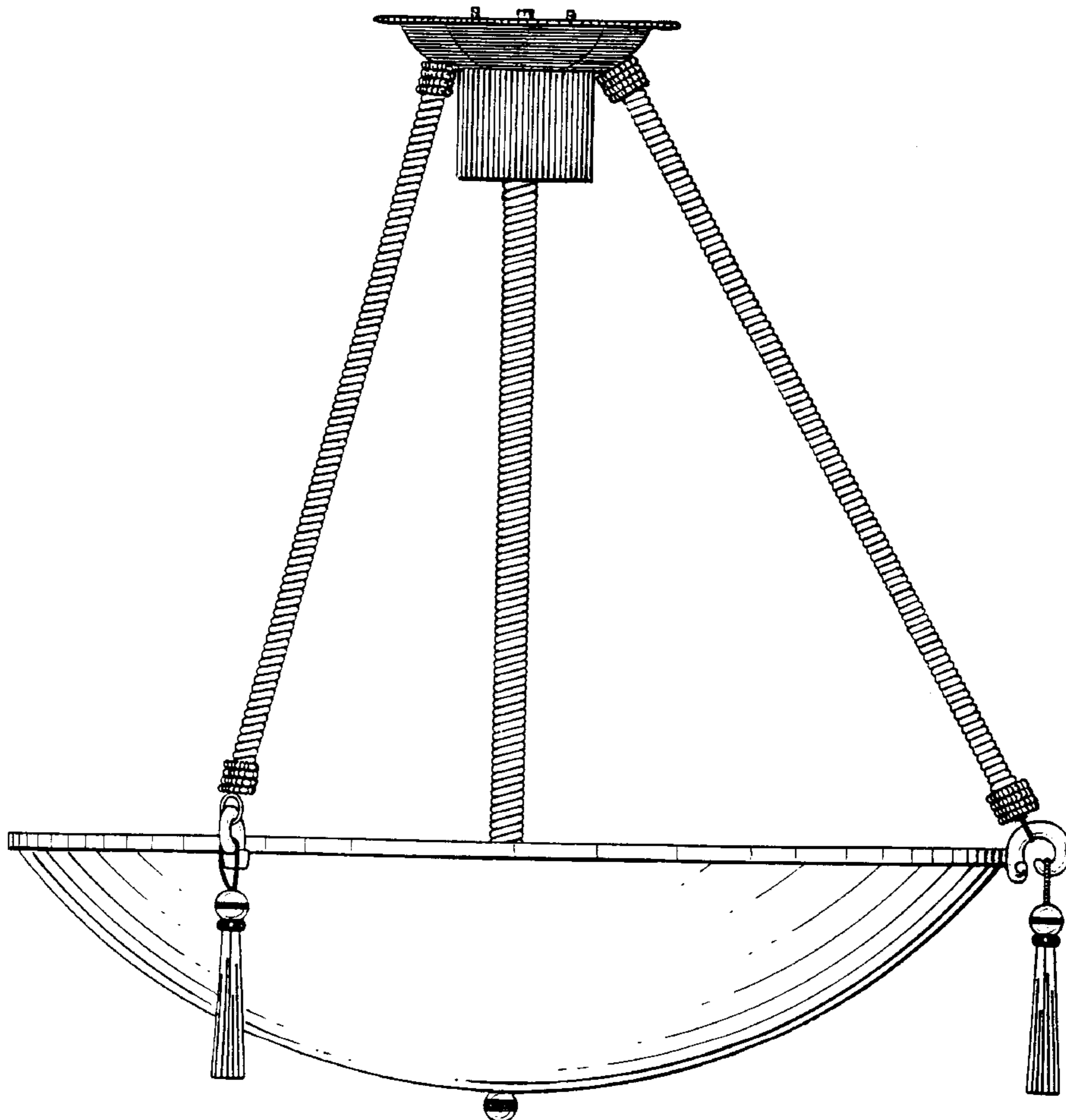


FIG. 1



FIG. 2

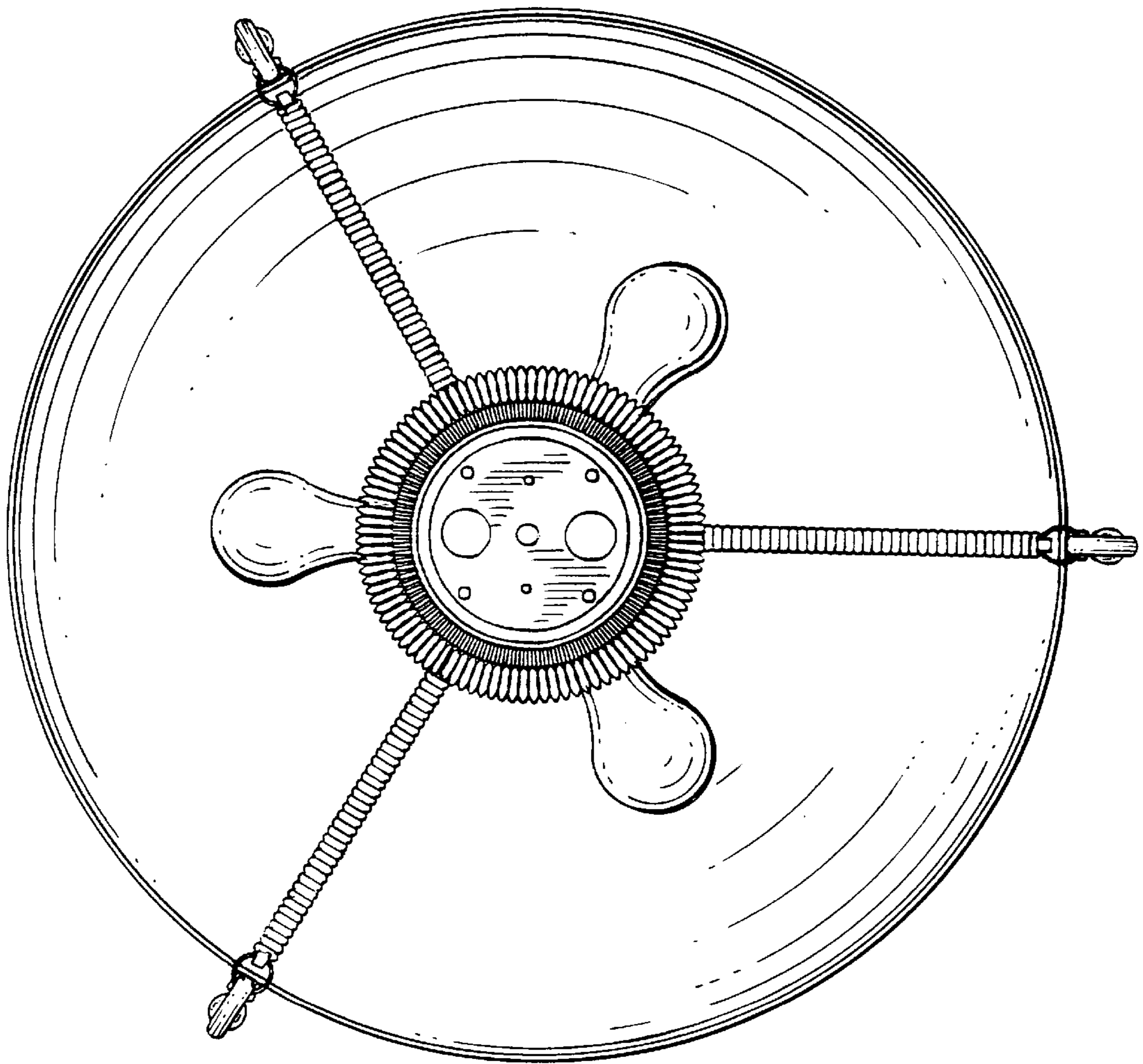


FIG. 3

