



US00D403457S

United States Patent [19]

Walz

[11] Patent Number: **Des. 403,457**

[45] Date of Patent: ****Dec. 29, 1998**

[54] **WALL SCONCE**

[76] Inventor: **Kevin R. Walz**, Via Giacinto Carini, 11, 00152 Rome, Italy

[**] Term: **14 Years**

[21] Appl. No.: **82,107**

[22] Filed: **Jan. 15, 1998**

[51] **LOC (6) Cl.** **26-05**

[52] **U.S. Cl.** **D26/85; D26/87**

[58] **Field of Search** **D26/72, 80-92; 362/147, 404-408, 432**

[56] **References Cited**

U.S. PATENT DOCUMENTS

D. 167,691	9/1952	Huegel	D26/85
D. 285,489	9/1986	Russell	D26/86
D. 324,742	3/1992	Von Kluck	D26/85

Primary Examiner—Susan J. Lucas
Attorney, Agent, or Firm—Gottlieb, Rackman & Reisman, P.C.

[57] **CLAIM**

The ornamental design for a wall sconce, as shown and described.

DESCRIPTION

FIG. 1 is a front, bottom and right side perspective view thereof;

FIG. 2 is a top plan view thereof;

FIG. 3 is a front elevational view thereof;

FIG. 4 is a left side elevational view, the right side being a mirror image thereof;

FIG. 5 is a rear view thereof; and,

FIG. 6 is a bottom plan view thereof.

1 Claim, 2 Drawing Sheets

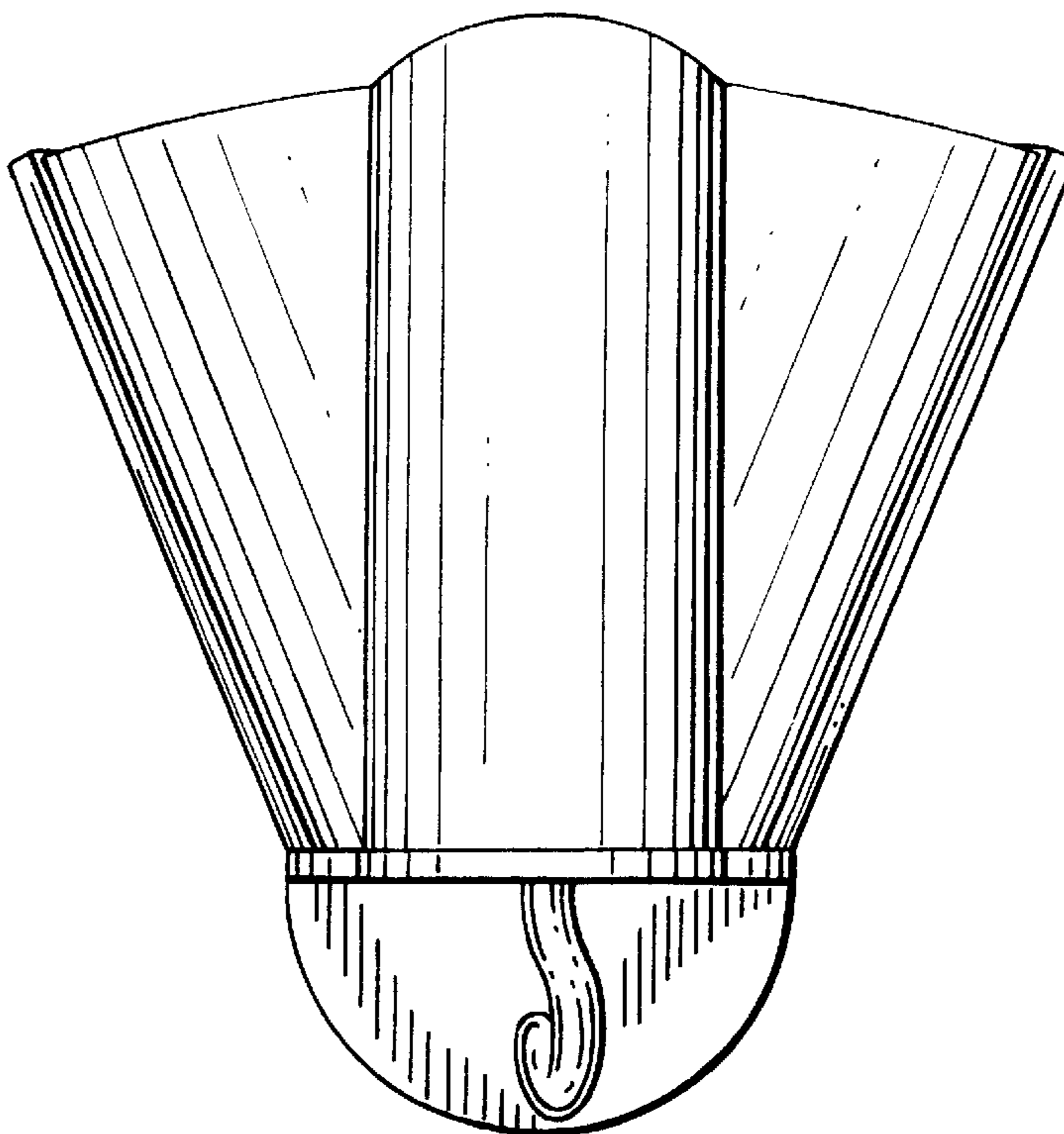
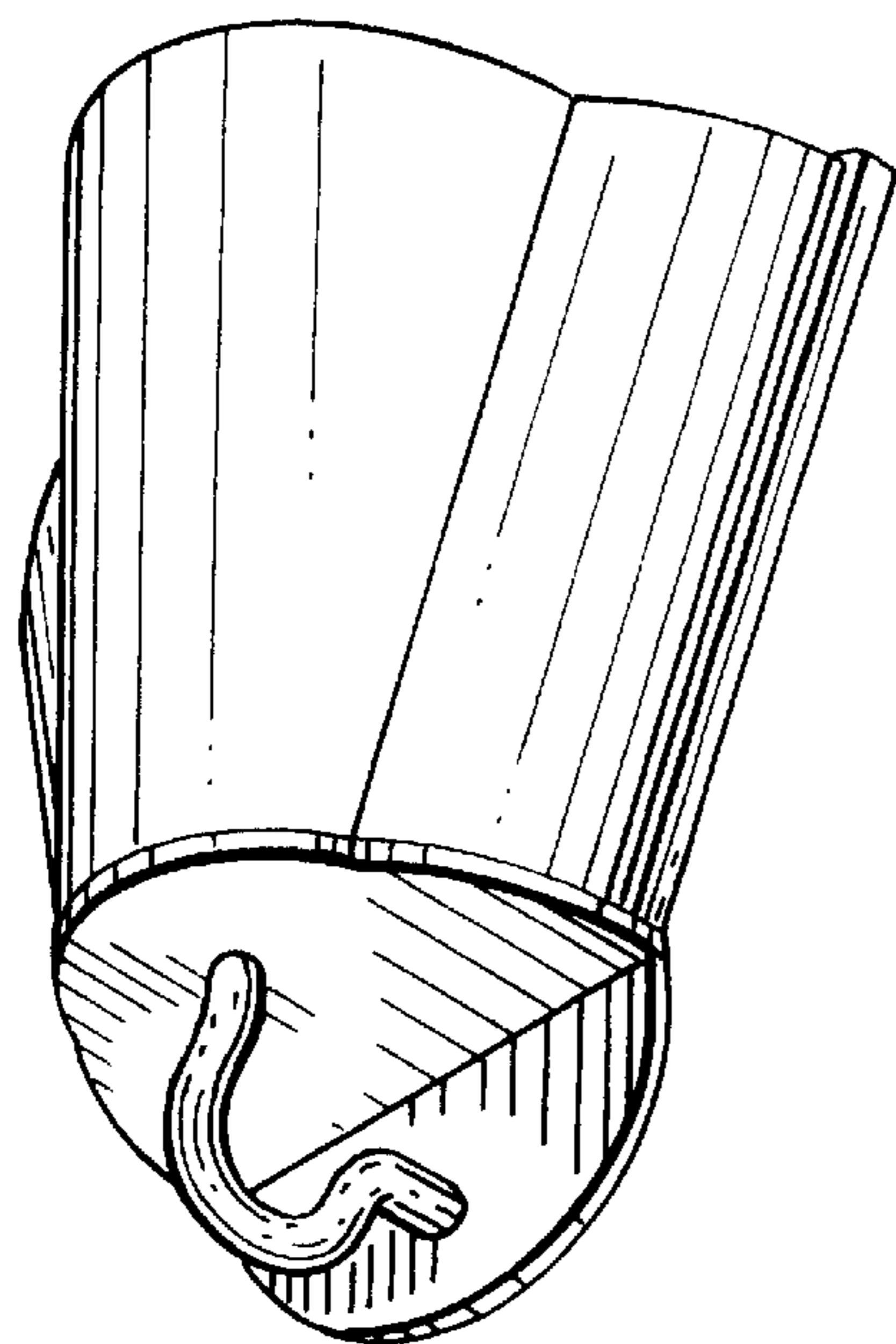


FIG. 1

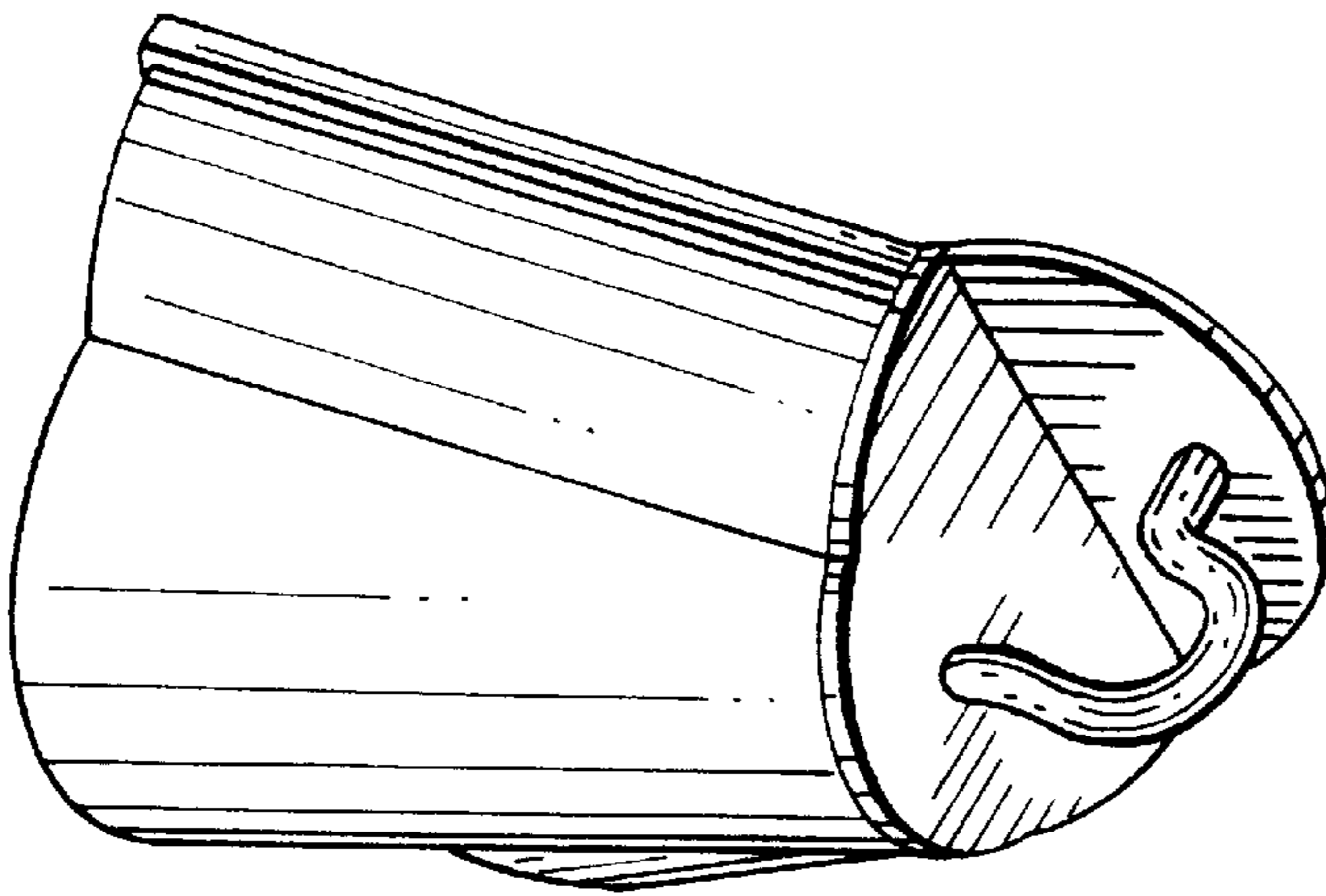


FIG. 3

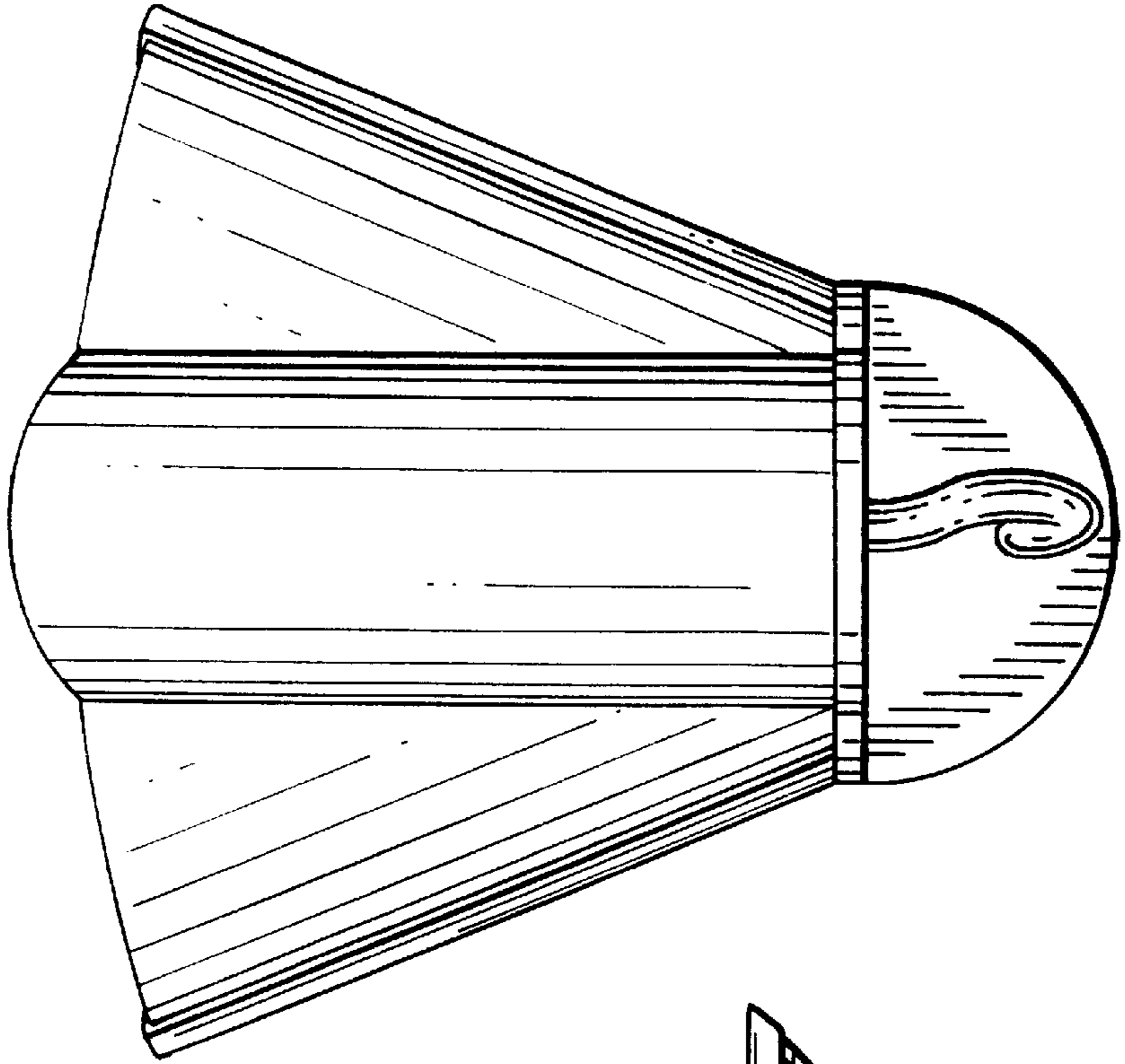
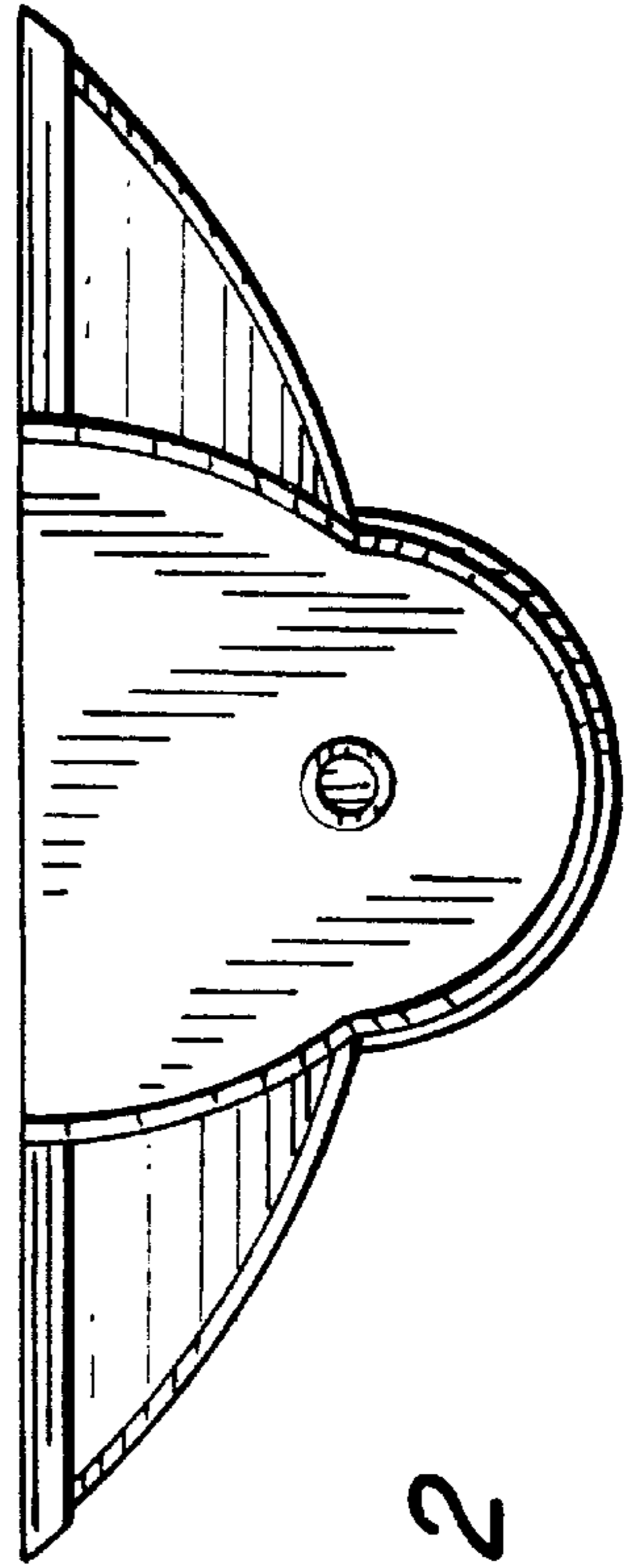


FIG. 2



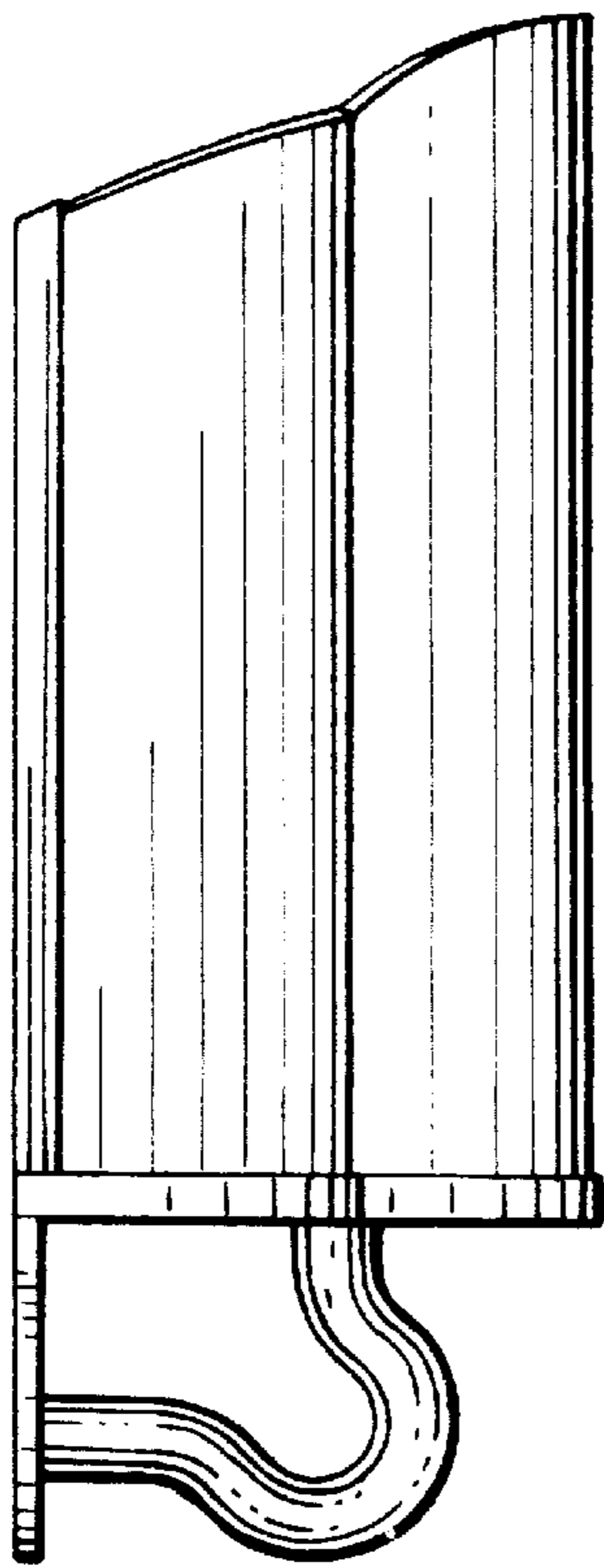


FIG. 4

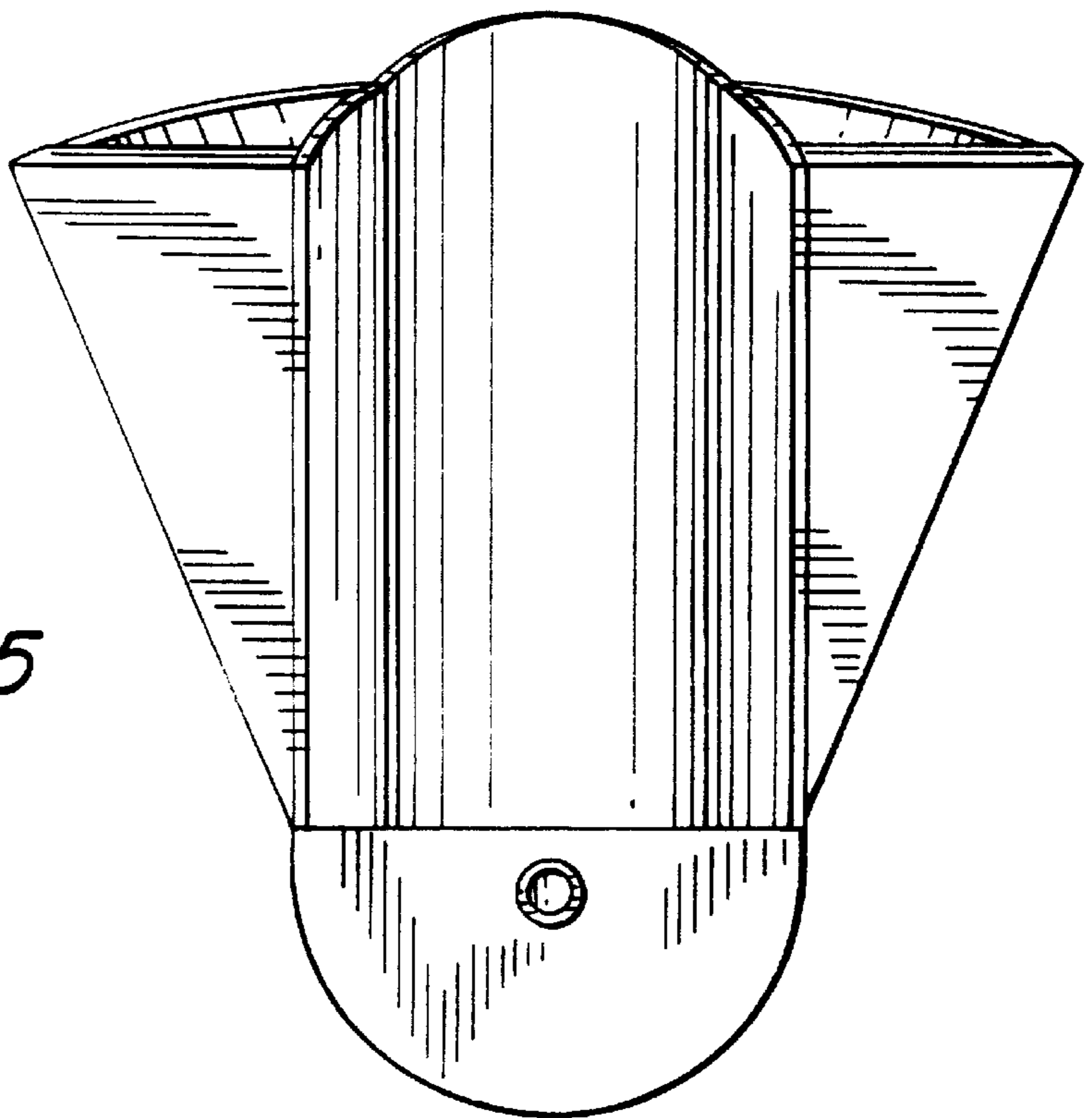


FIG. 5

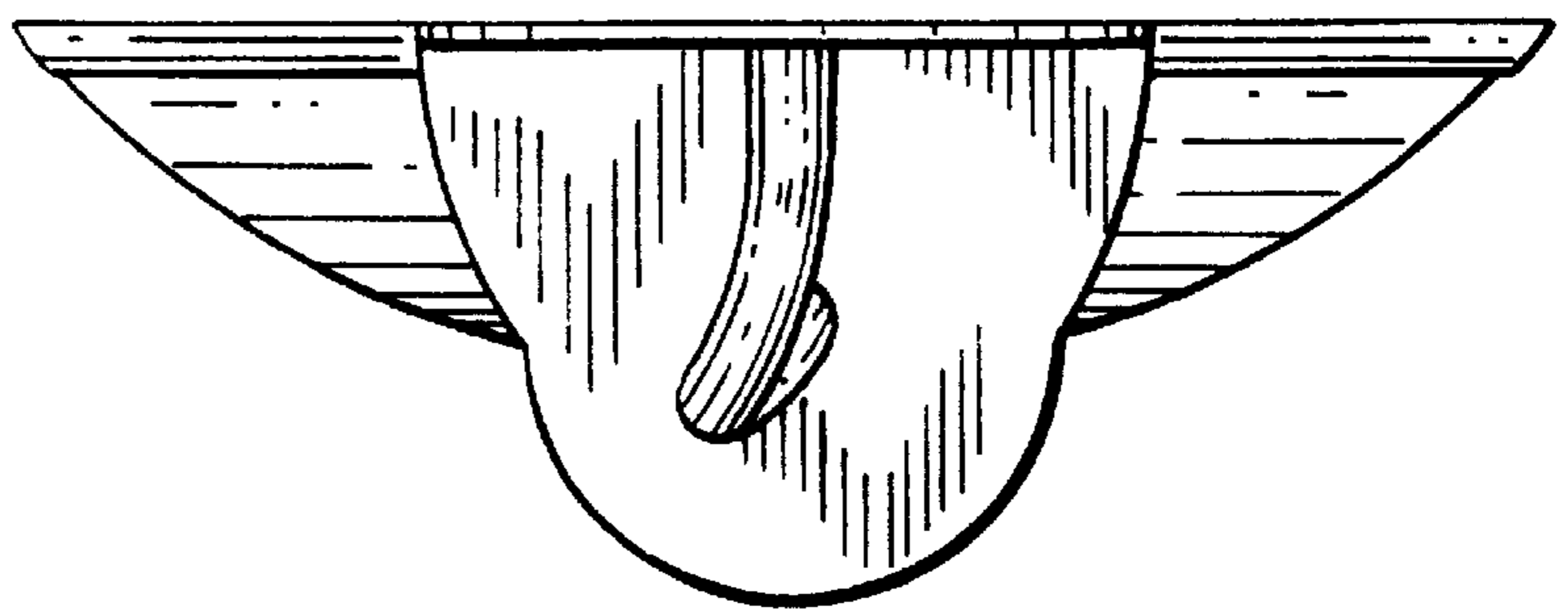


FIG. 6