



US00D403455S

United States Patent [19]
Duennes

[11] **Patent Number: Des. 403,455**

[45] **Date of Patent: **Dec. 29, 1998**

[54] **WORK LAMP**

D. 331,634 12/1992 Browne D26/119
D. 359,371 6/1995 Osteen et al. D26/63
D. 375,377 11/1996 Leen D26/119

[75] Inventor: **Mark Duennes**, Glenview, Ill.

[73] Assignee: **S-B Power Tool Company**, Chicago, Ill.

Primary Examiner—Marcus A. Jackson
Attorney, Agent, or Firm—Leo H. McCormick, Jr.; Warren Comstock

[**] Term: **14 Years**

[57] **CLAIM**

[21] Appl. No.: **84,922**

The ornamental design for a work lamp, as shown and described.

[22] Filed: **Mar. 6, 1998**

DESCRIPTION

[51] **LOC (6) Cl.** **26-02**

[52] **U.S. Cl.** **D26/50; D26/119; D26/63**

[58] **Field of Search** D26/119, 37-50,
D26/63; 362/157, 158, 217, 258, 269, 274,
275, 285, 376, 377, 378, 396, 418, 419

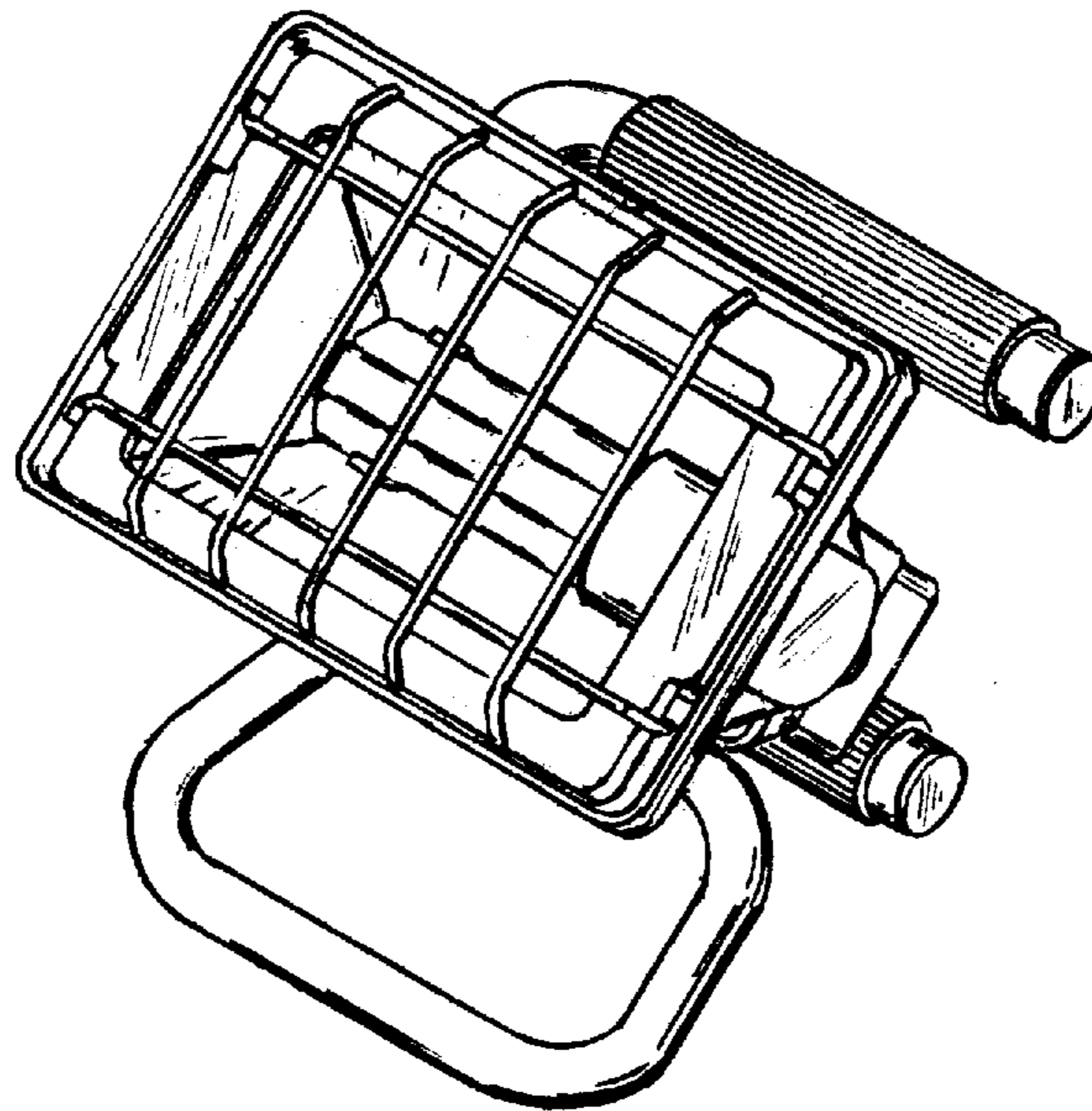
FIG. 1 is a perspective view of a work lamp showing my new design;
FIG. 2 is a left side view elevation view thereof;
FIG. 3 is a right side elevation view thereof;
FIG. 4 is a top plan view thereof;
FIG. 5 is a bottom plan view thereof; and,
FIG. 6 is rear plan view thereof.

[56] **References Cited**

U.S. PATENT DOCUMENTS

D. 120,924 6/1940 Steber D26/119

1 Claim, 2 Drawing Sheets



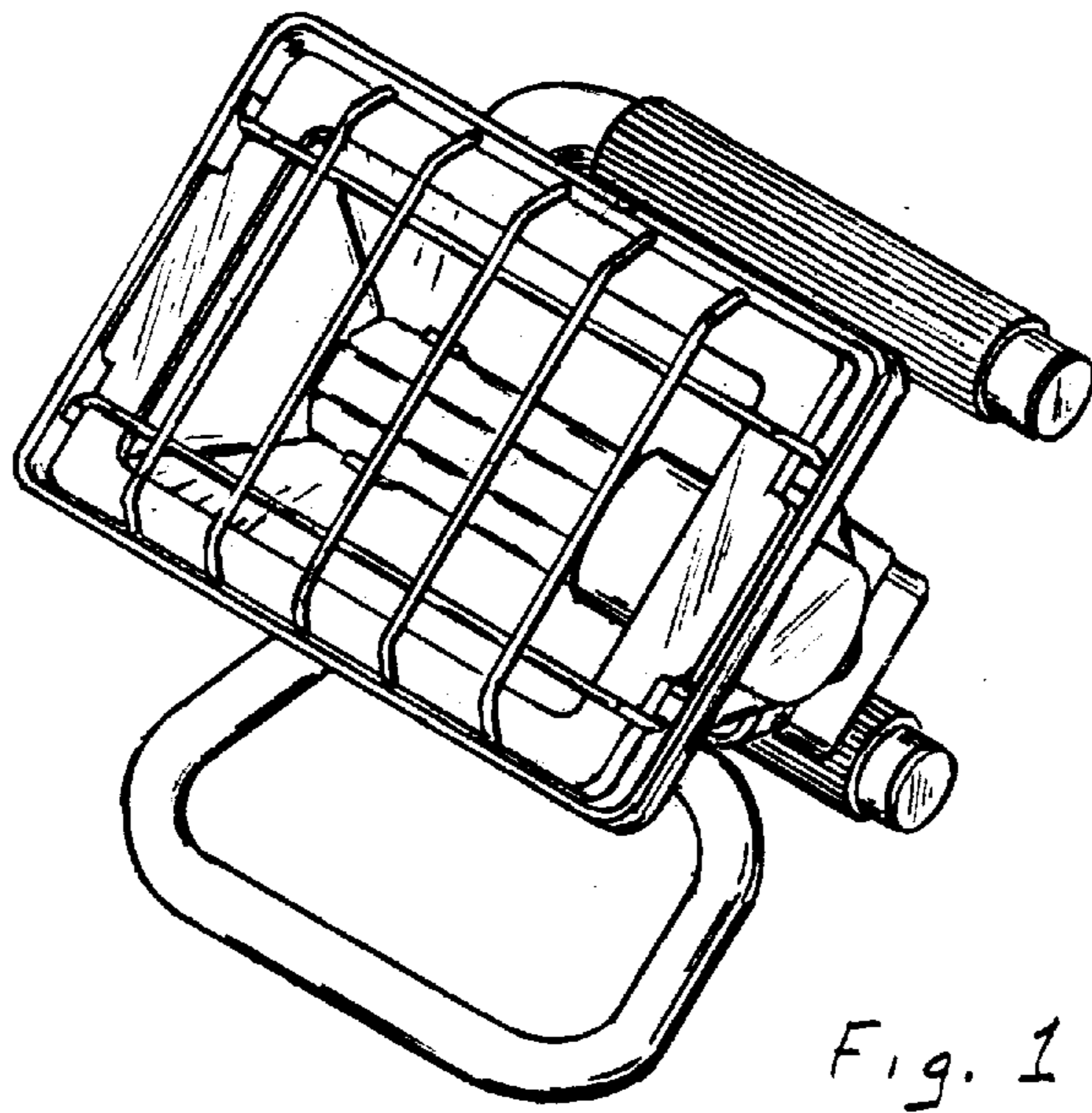


Fig. 1

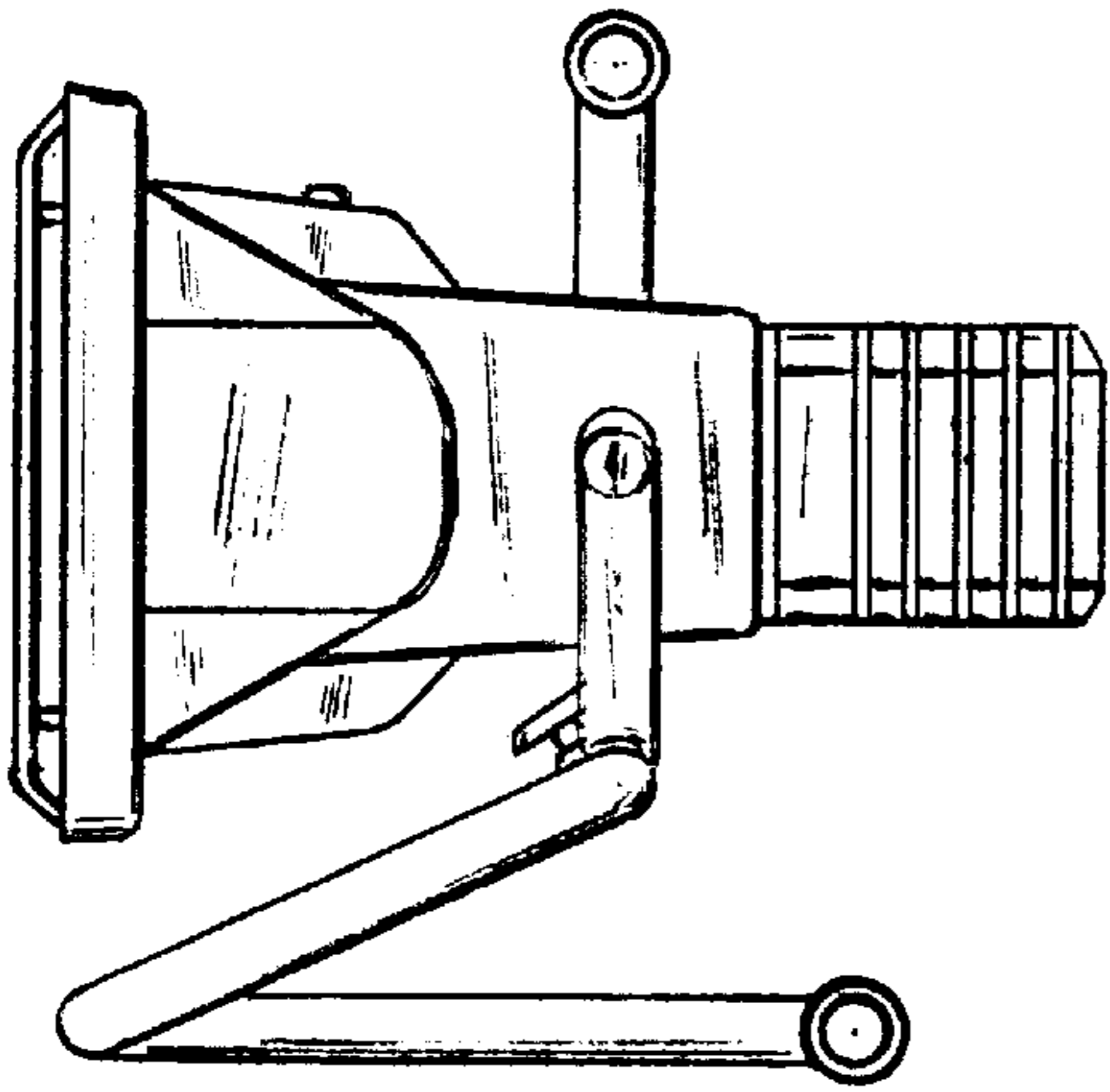


Fig. 2

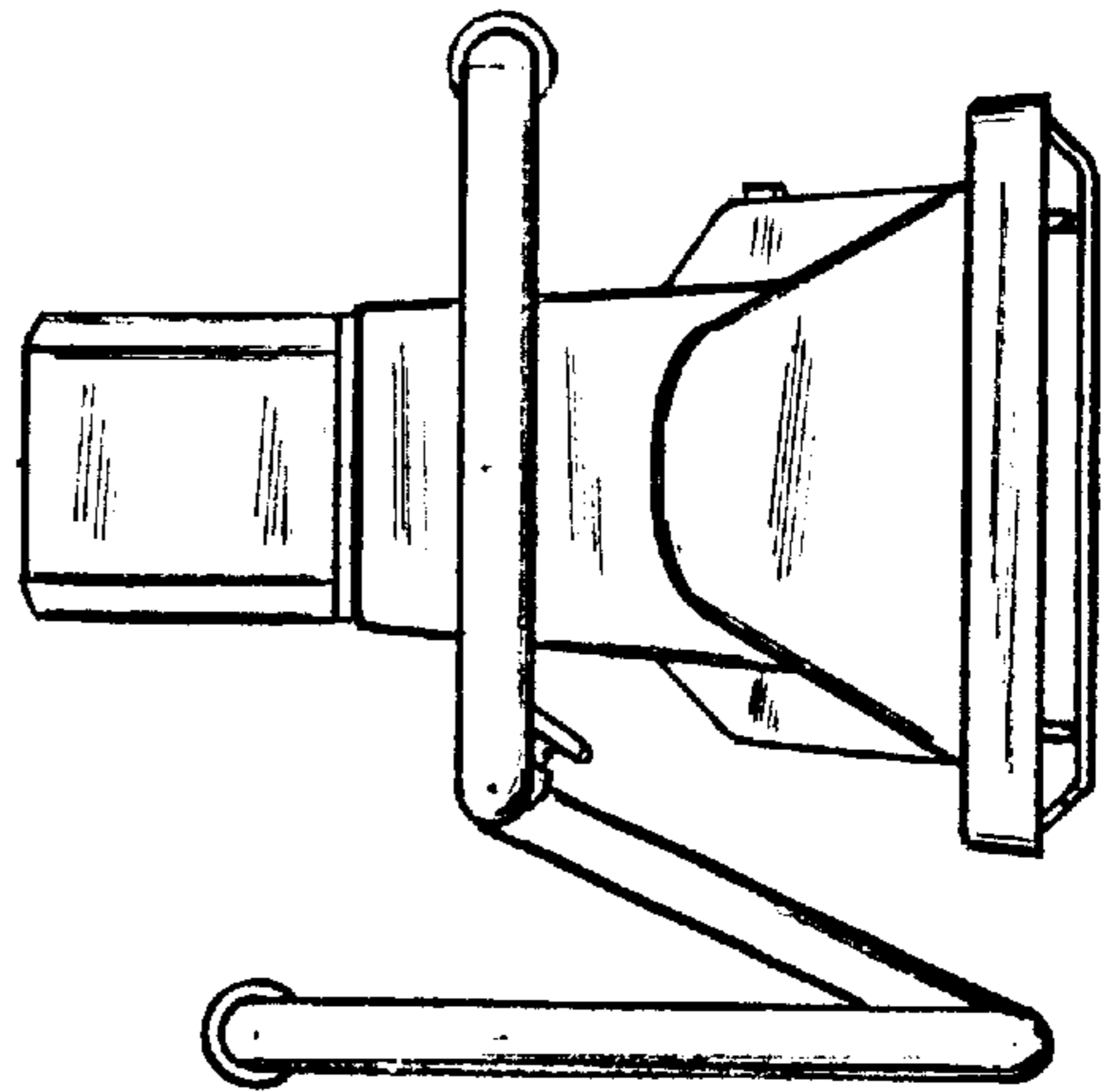


Fig. 3

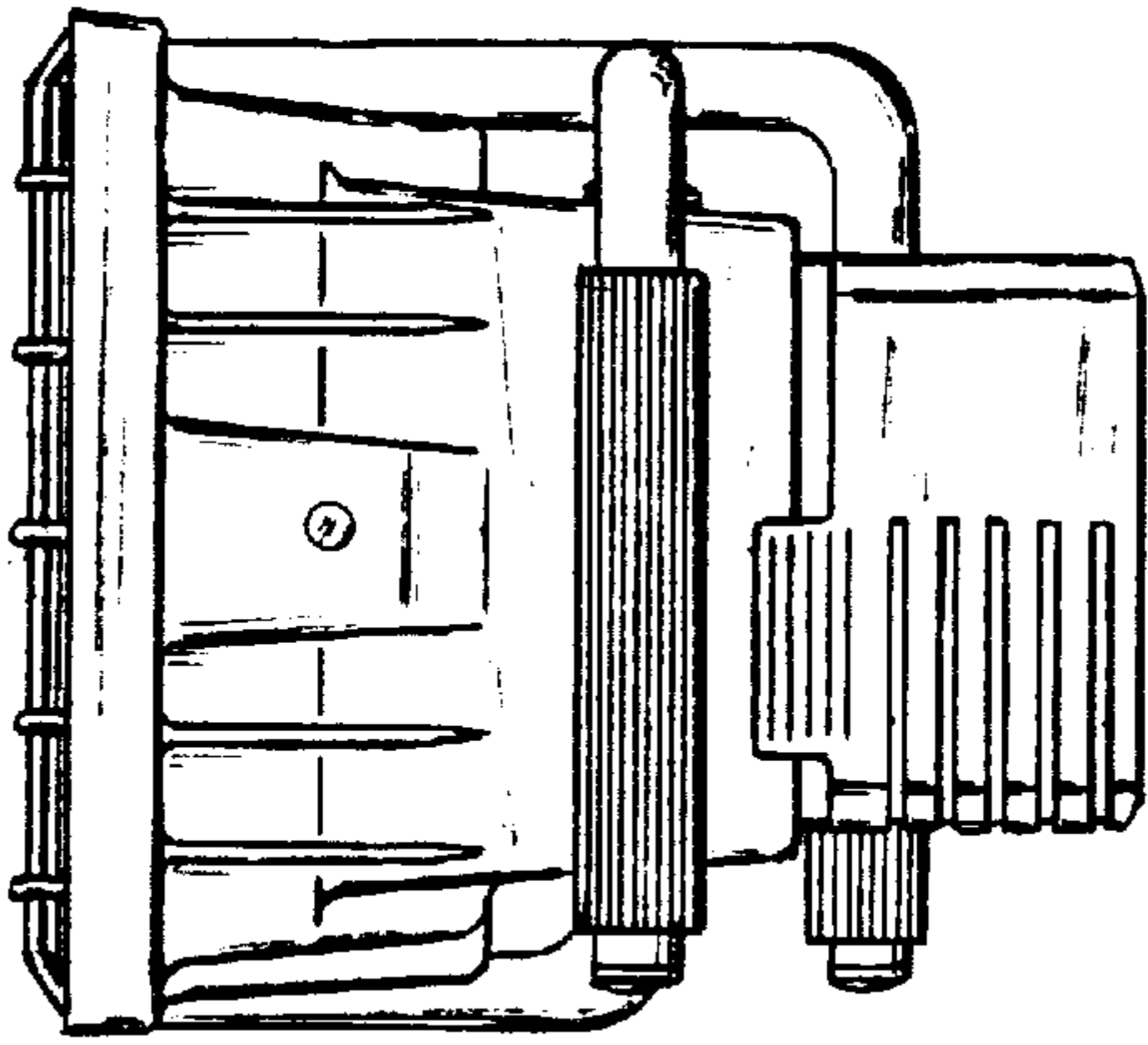


Fig. 4

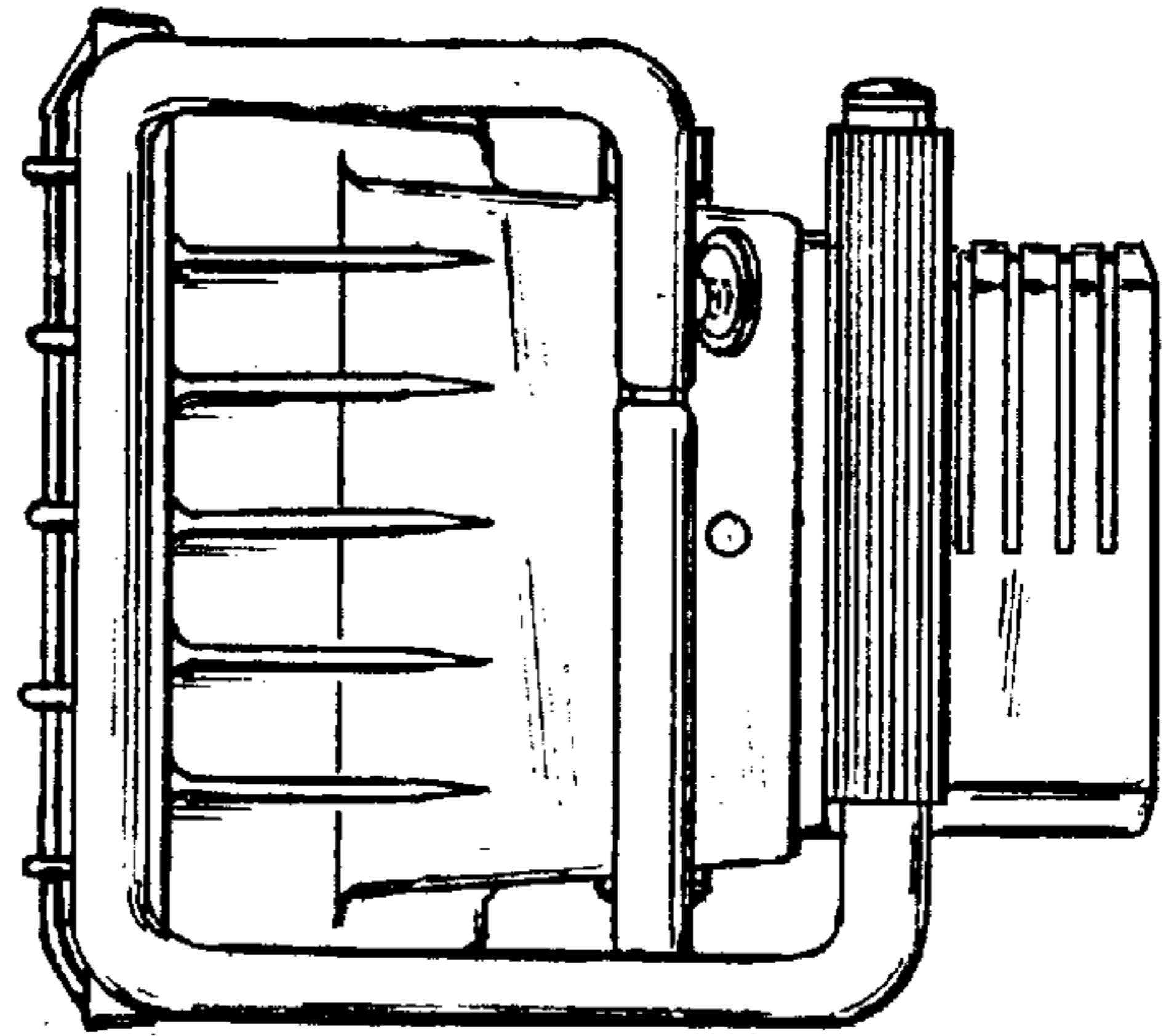


Fig. 5

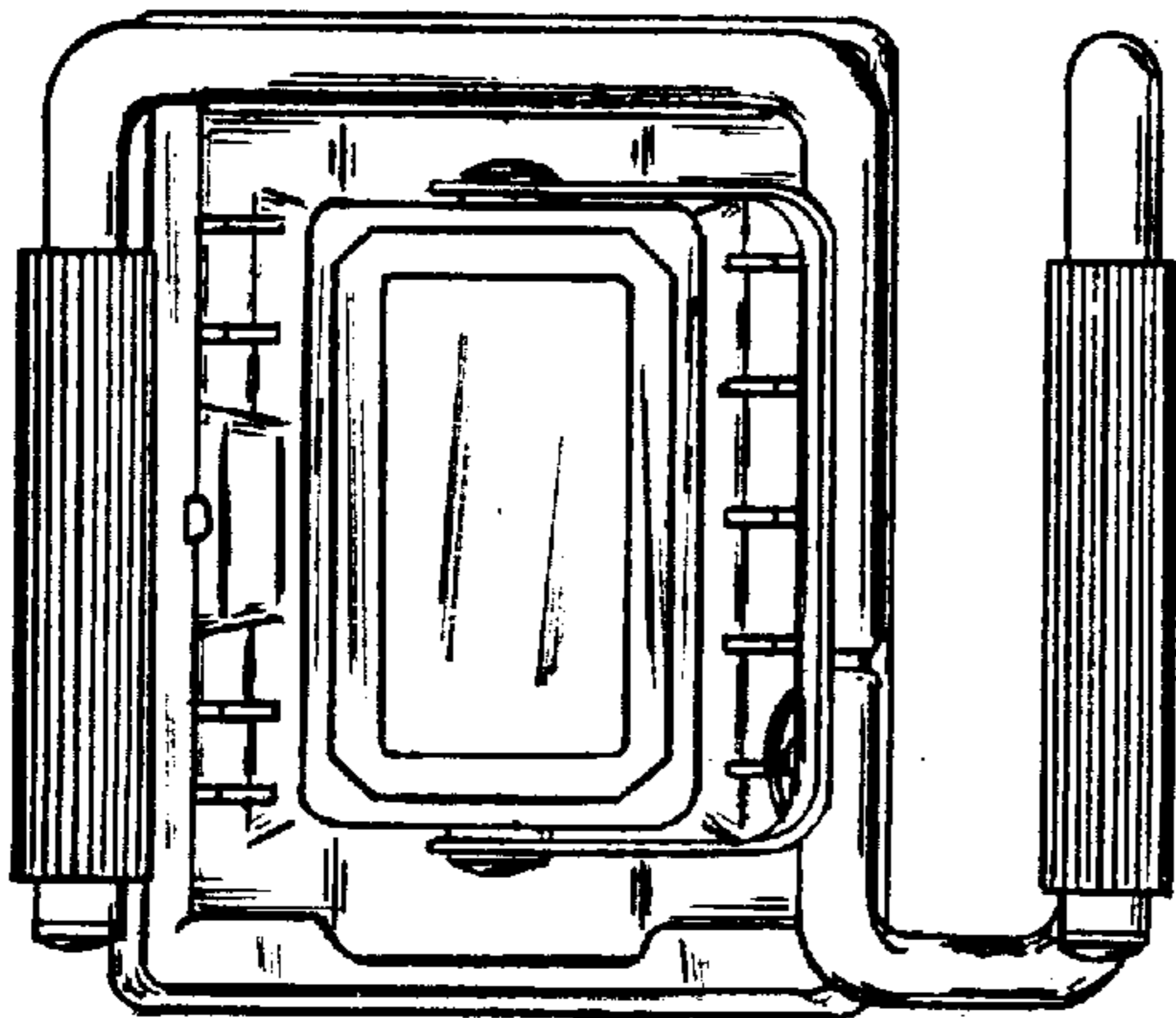


Fig. 6