



US00D403454S

United States Patent [19]

Zelina, Jr. et al.

[11] Patent Number: **Des. 403,454**

[45] Date of Patent: ****Dec. 29, 1998**

[54] **PORTABLE LIGHT**

[75] Inventors: **Thomas N. Zelina, Jr.; Jason Williams, both of Erie, Pa.; Charles Choi, Mount Prospect, Ill.**

[73] Assignee: **Lectro Science, Inc., Erie, Pa.**

[**] Term: **14 Years**

[21] Appl. No.: **83,856**

[22] Filed: **Feb. 17, 1998**

[51] **LOC (6) Cl.** **26-02**

[52] **U.S. Cl.** **D26/48**

[58] **Field of Search** D26/37-50; 362/157, 362/158, 183-191, 194, 205

[56] **References Cited**

U.S. PATENT DOCUMENTS

D. 191,991	12/1961	Bessier	D26/48
D. 197,731	3/1964	Ashe	D26/48
D. 296,828	7/1988	Byrns	D26/48
D. 337,840	7/1993	Ekeroth	D26/44

D. 359,814	6/1995	Yuen	D26/48
D. 360,043	7/1995	Innkai	D26/48
D. 376,863	12/1996	Yuen	D26/48
D. 389,594	1/1998	Poon	D26/48

Primary Examiner—Marcus A. Jackson
Attorney, Agent, or Firm—Hill & Simpson

[57] **CLAIM**

The ornamental design for a “portable light,” as shown and described.

DESCRIPTION

FIG. 1 is a perspective of a portable light of this invention; FIG. 2 is a front elevational view of the portable light of FIG. 1; FIG. 3 is a rear elevational view of the portable light of FIG. 1; FIG. 4 is a view from the right side of FIG. 2; FIG. 5 is a view similar to FIG. 4, from the opposite side thereof; FIG. 6 is a top plan view of the portable light of FIG. 1; and, FIG. 7 is a bottom plan view of the portable light of FIG. 1.

1 Claim, 4 Drawing Sheets

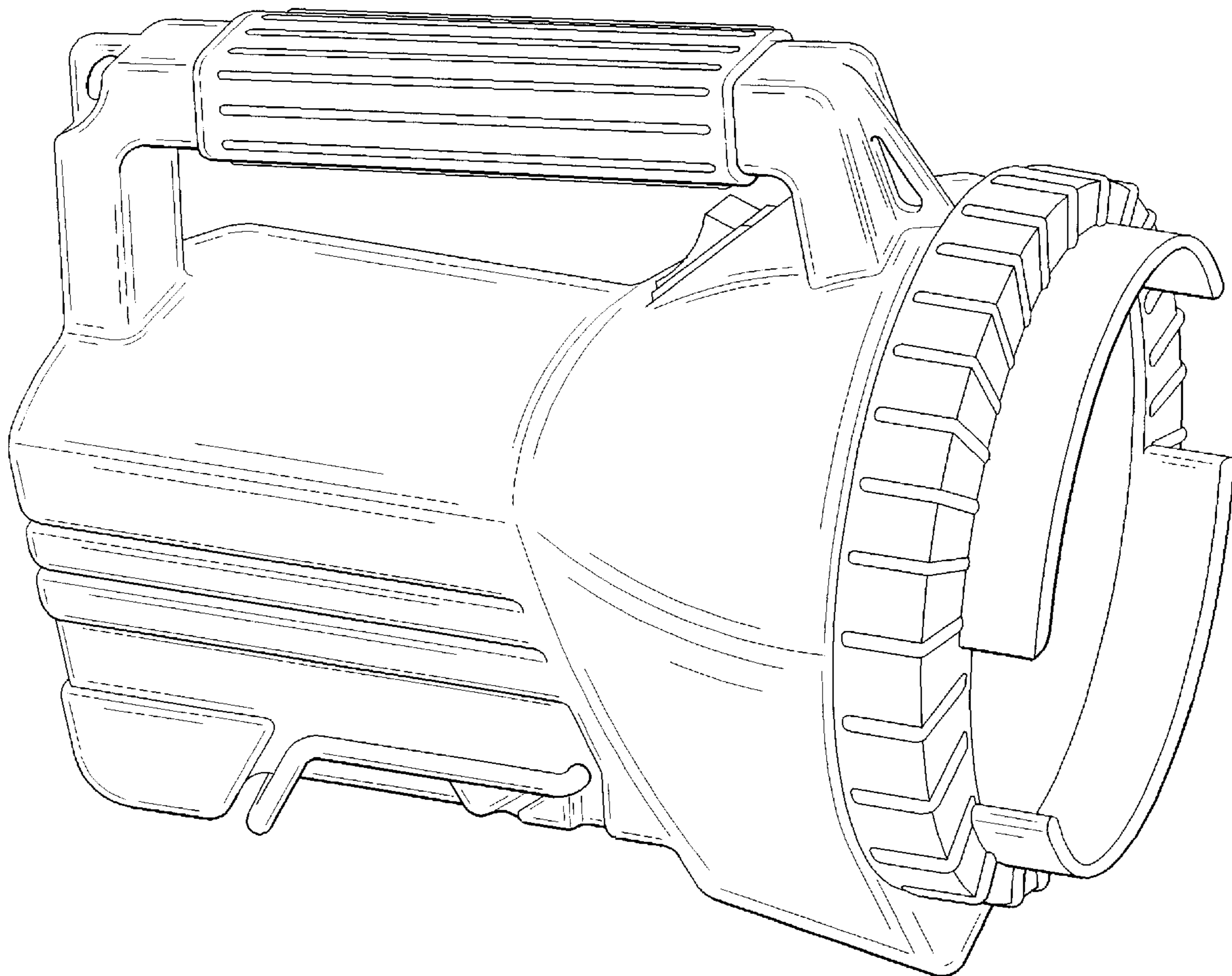


FIG. 1

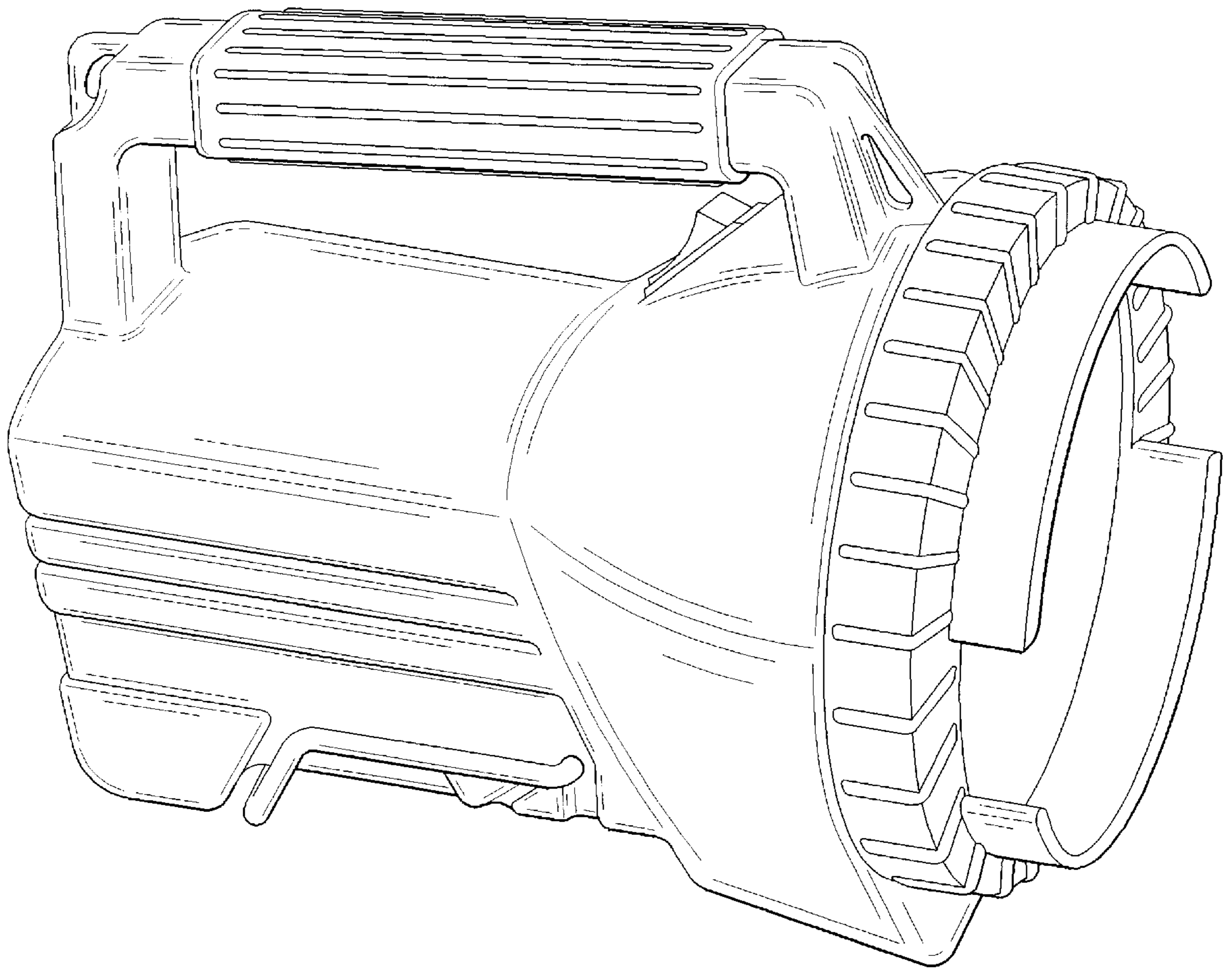


FIG. 2

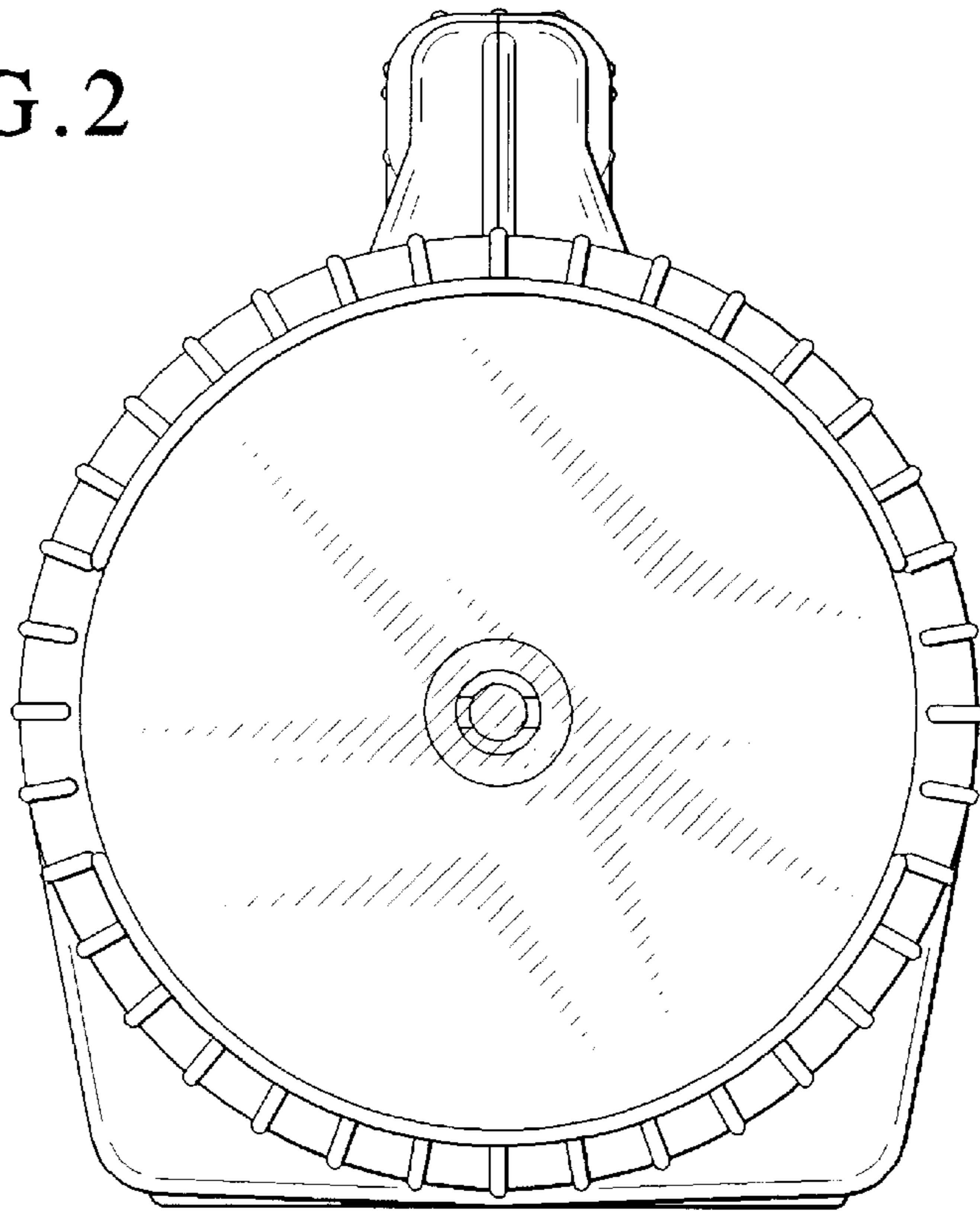


FIG. 3

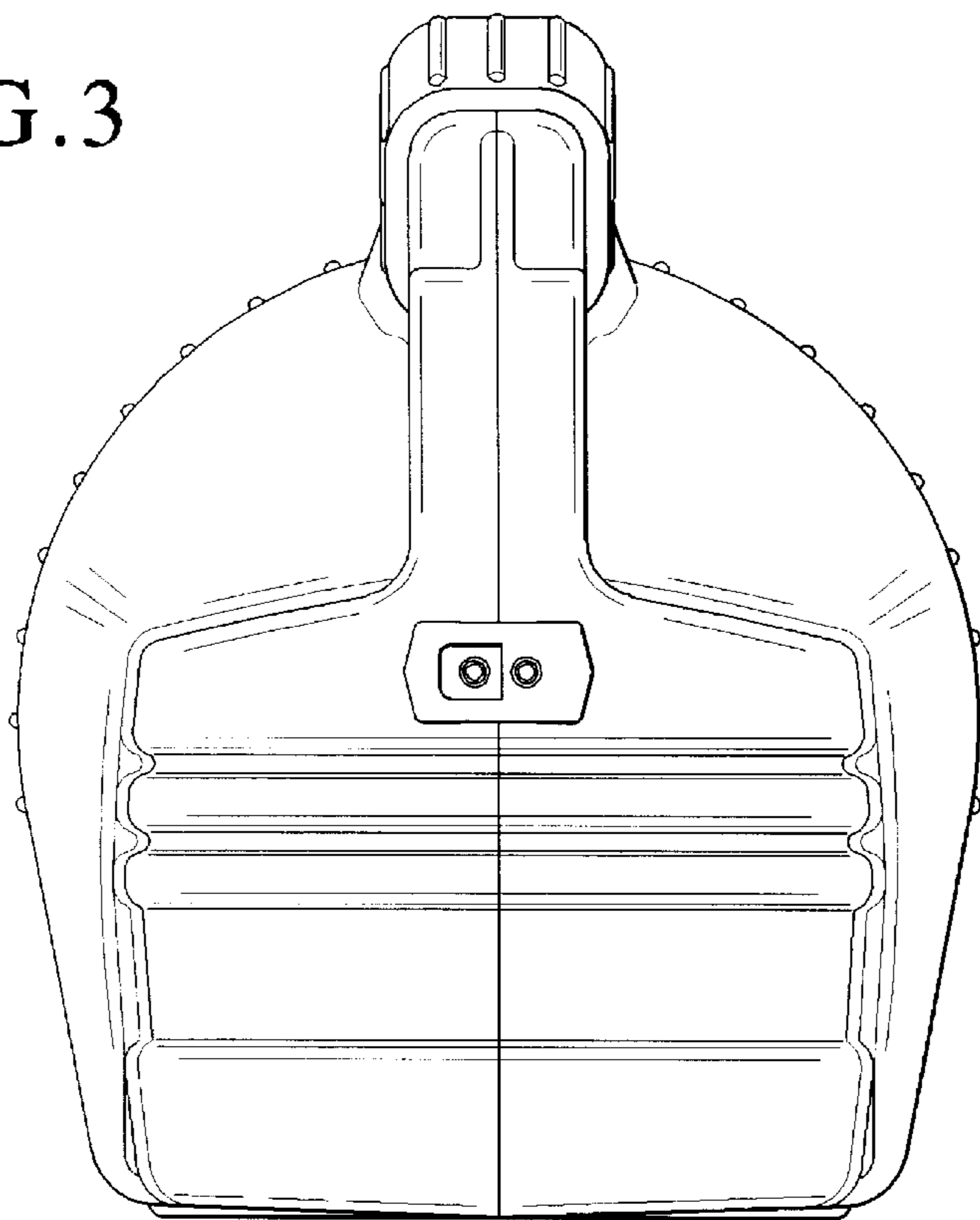


FIG. 4

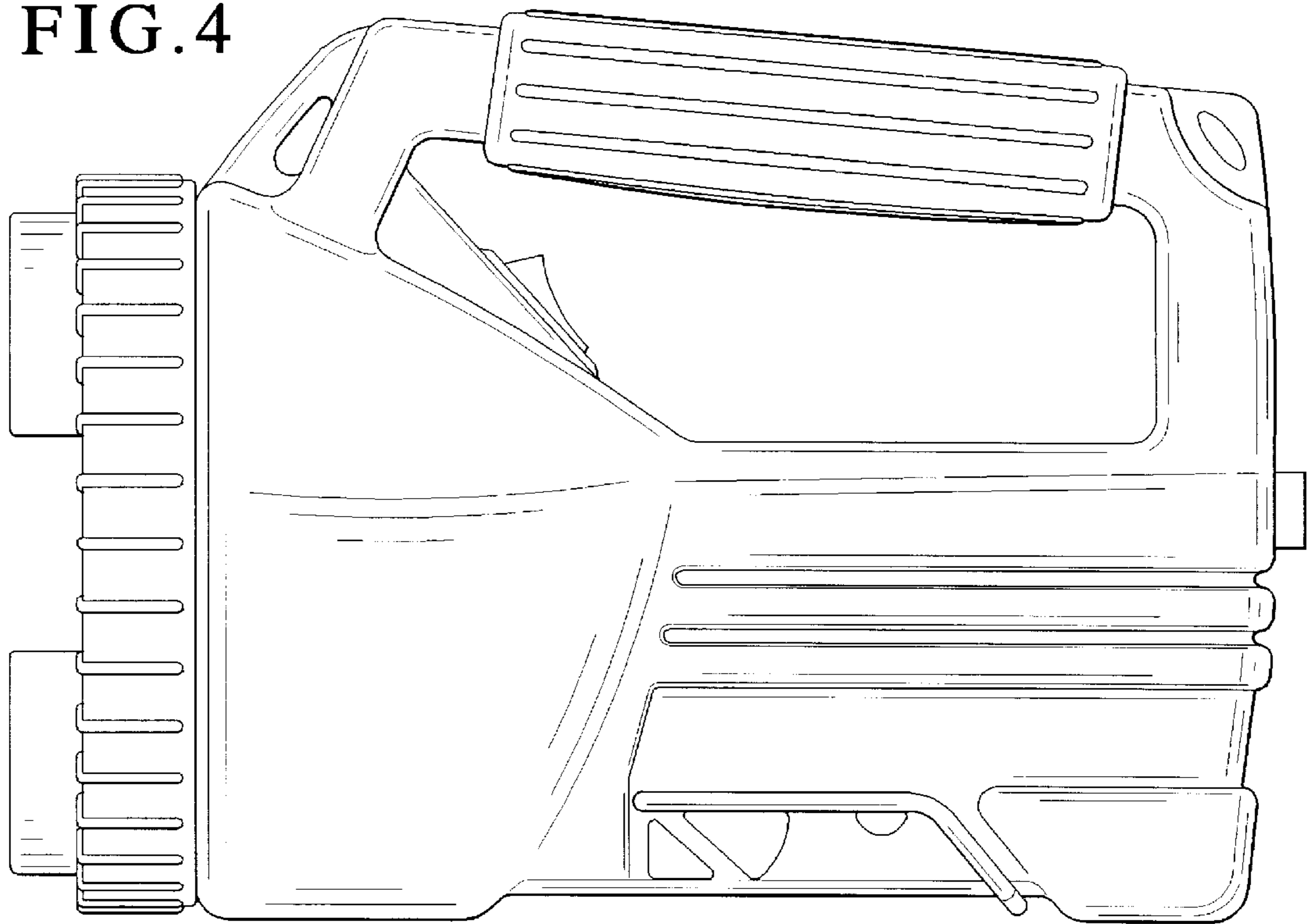


FIG. 5

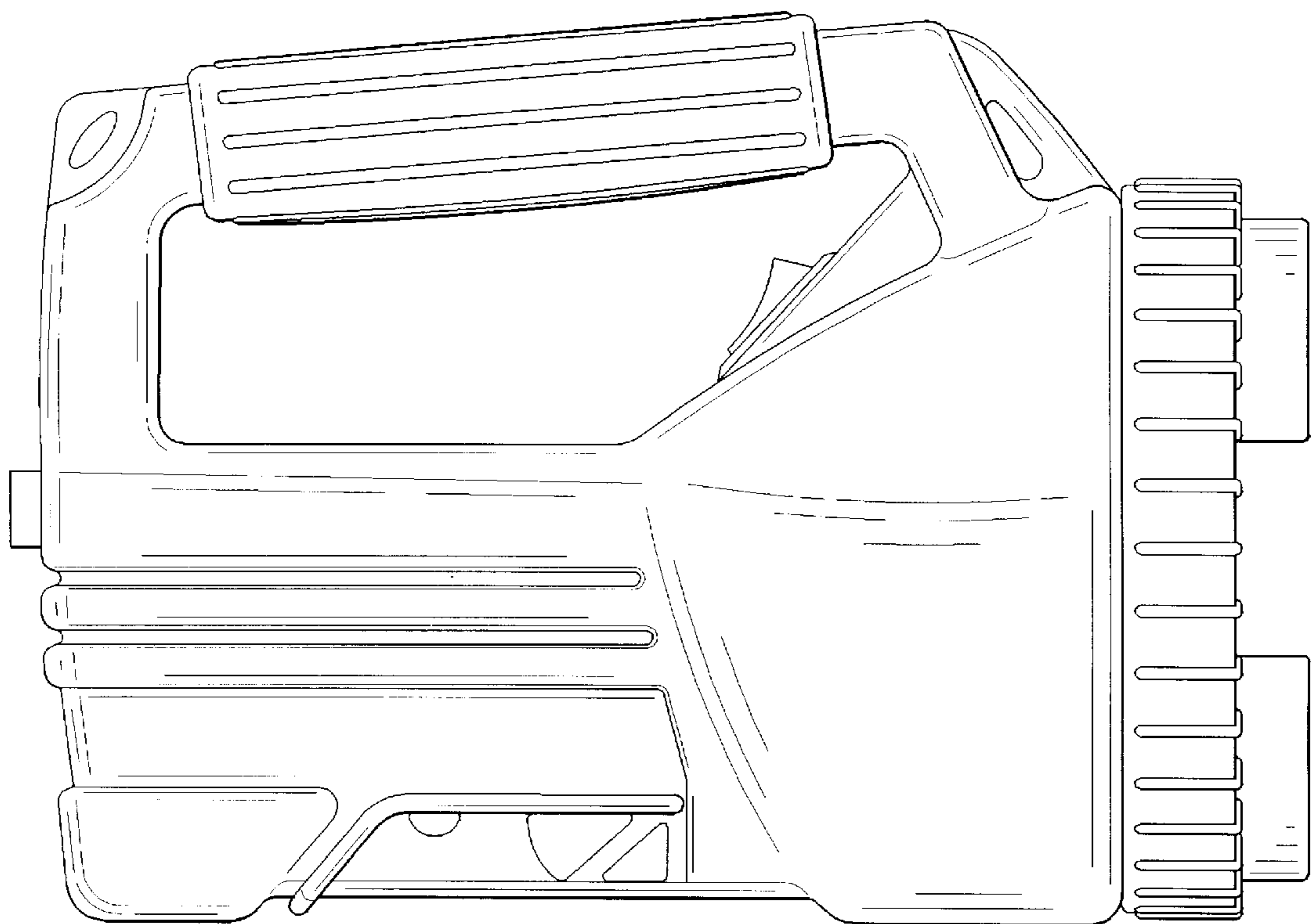


FIG. 6

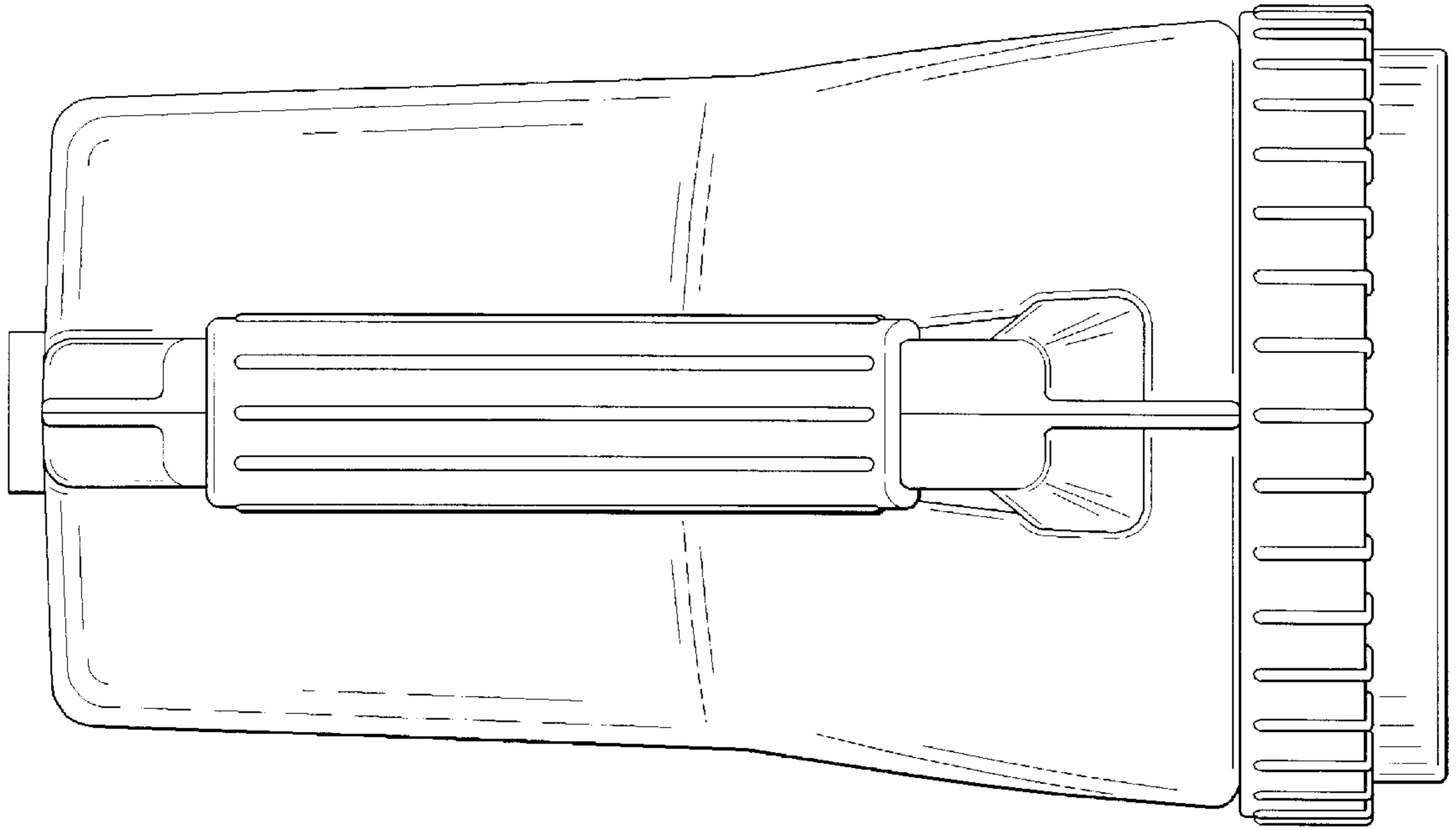


FIG. 7

