



US00D403446S

United States Patent [19]

Lynch et al.

[11] Patent Number: Des. 403,446

[45] Date of Patent: **Dec. 29, 1998

[54] RECHARGEABLE FLASHLIGHT

[75] Inventors: Peter F. Lynch, Skaneateles; Mark A. Ferguson, Jamesville; David A. Furth, Skaneateles, all of N.Y.

[73] Assignee: Eveready Battery Company, Inc., St. Louis, Mo.

[**] Term: 14 Years

[21] Appl. No.: 54,931

[22] Filed: May 24, 1996

[51] LOC (6) Cl. 26-02

[52] U.S. Cl. D26/37; D26/49

[58] Field of Search D26/37-50; 362/157, 362/158, 183, 186, 191-208

- D. 292,321 10/1987 Liu .
- D. 296,011 5/1988 Adams .
- D. 296,012 5/1988 Petterson .
- D. 296,477 6/1988 Powell et al. .
- D. 299,173 12/1988 Powell et al. .
- D. 301,631 6/1989 Leung .
- D. 301,750 6/1989 Fenne .
- D. 308,257 5/1990 Staubitz et al. .
- D. 309,952 8/1990 Lee D26/49
- D. 312,138 11/1990 Burns .
- D. 313,665 1/1991 Yuen .
- D. 315,608 3/1991 Petterson et al. .
- D. 320,463 10/1991 Pettersen et al. .
- D. 323,404 1/1992 Fenne .
- D. 324,110 2/1992 Yuen .
- D. 324,580 3/1992 Young D26/49
- D. 325,100 3/1992 Usami D26/49
- D. 326,923 6/1992 Yuen .
- D. 328,145 7/1992 Yuen .
- D. 331,118 11/1992 Yeung .

(List continued on next page.)

[56] References Cited

U.S. PATENT DOCUMENTS

- D. 88,205 11/1932 Williams .
- D. 112,635 12/1938 Ferris .
- D. 210,905 4/1968 Kahn .
- D. 213,516 3/1969 Ashe .
- D. 216,735 3/1970 Brindley D26/49
- D. 220,801 5/1971 Rams .
- D. 248,504 7/1978 Rhoades et al. .
- D. 251,632 4/1979 Lievin .
- D. 254,514 3/1980 Nicholl et al. .
- D. 255,839 7/1980 Sassmannshausen .
- D. 262,578 1/1982 Nicholl et al. .
- D. 263,170 2/1982 Maglica D26/49
- D. 263,630 3/1982 Wong .
- D. 266,957 11/1982 Lee .
- D. 273,048 3/1984 Chan .
- D. 274,368 6/1984 Skarman .
- D. 275,423 9/1984 Stansbury, Jr. et al. .
- D. 276,375 11/1984 Fenne .
- D. 276,658 12/1984 Yuen .
- D. 280,029 8/1985 Petterson .
- D. 283,254 4/1986 Fenne .
- D. 284,707 7/1986 Tanaka .
- D. 285,356 8/1986 Schosser et al. .
- D. 288,245 2/1987 Corder et al. .
- D. 291,838 9/1987 Tung .

FOREIGN PATENT DOCUMENTS

510300A2 1/1992 European Pat. Off. .

Primary Examiner—Marcus A. Jackson
Attorney, Agent, or Firm—Robert W. Welsh; S. Allan Fraser

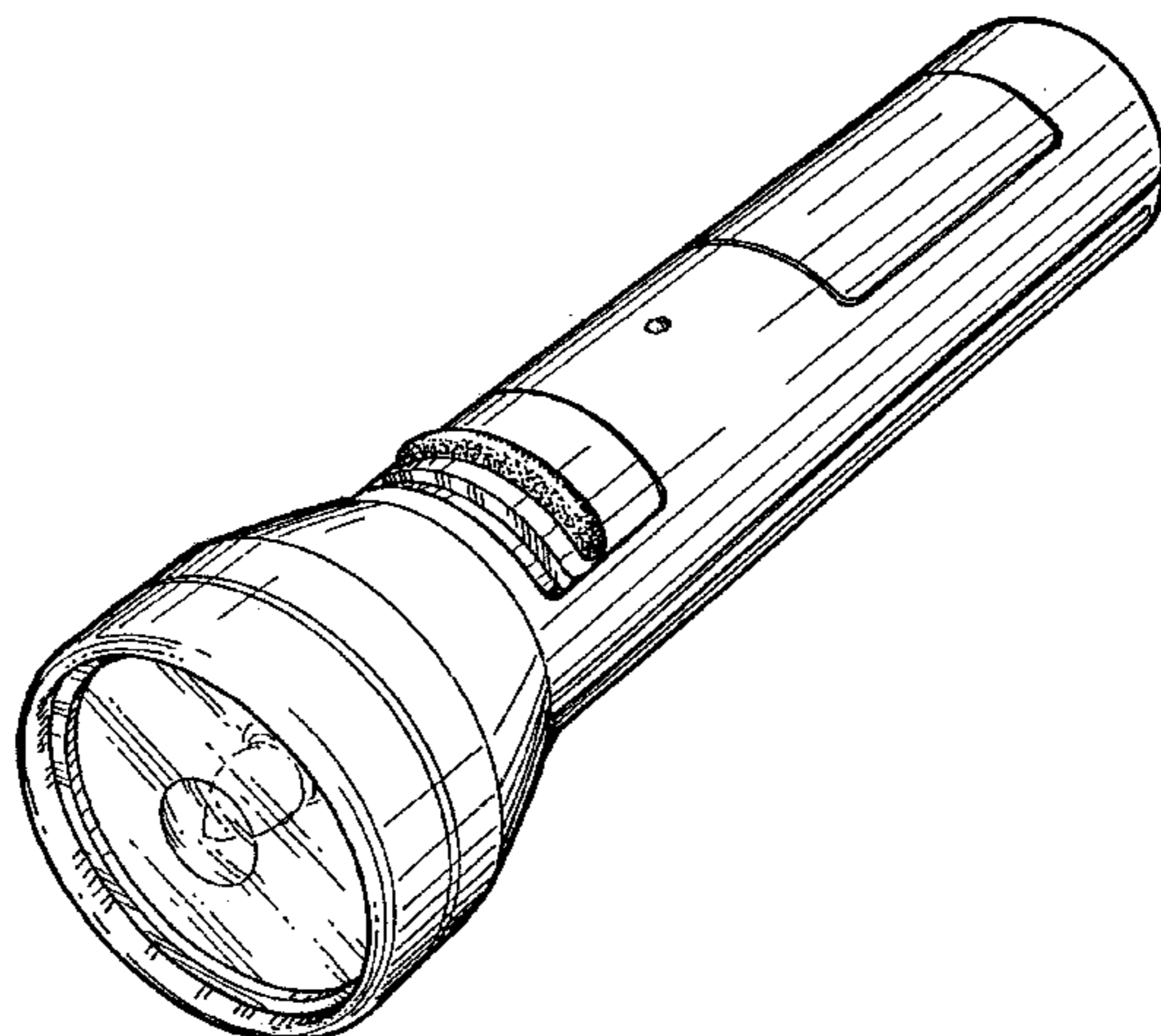
[57] CLAIM

The ornamental design for a rechargeable flashlight, as shown and described.

DESCRIPTION

FIG. 1 is a perspective view of one embodiment a rechargeable flashlight;
FIG. 2 is a plan view of a rechargeable flashlight shown in FIG. 1;
FIG. 3 is a side view of a rechargeable flashlight shown in FIG. 1, the opposite side being a mirror image thereof;
FIG. 4 is a bottom plan view of a rechargeable flashlight shown in FIG. 2;
FIG. 5 is an end view of a rechargeable flashlight; and,
FIG. 6 is an end view of a rechargeable flashlight opposite that shown in FIG. 5.

1 Claim, 2 Drawing Sheets



Des. 403,446

Page 2

U.S. PATENT DOCUMENTS

D. 332,321	1/1993	Yuen .	D. 370,543	6/1996	Huen	D26/49
D. 336,965	6/1993	Yau .	3,192,378	6/1965	Oldenburger .	
D. 343,015	1/1994	Yuen .	3,222,513	12/1965	Feo .	
D. 343,468	1/1994	Yuen .	3,233,091	2/1966	Hunt .	
D. 343,469	1/1994	Yuen .	3,458,794	7/1969	Bohnstedt et al. .	
D. 348,942	7/1994	Yuen .	4,177,500	12/1979	Nicholl et al. .	
D. 350,407	9/1994	Yuen .	4,228,484	10/1980	Johnstone .	
D. 352,564	11/1994	Marischen .	4,412,168	10/1983	Sell .	
D. 357,757	4/1995	Bamber et al. .	4,556,932	12/1985	Lehrer et al. .	
D. 363,138	10/1995	Poon .	4,857,702	8/1989	Cafaro .	
D. 364,476	11/1995	Pettersen .	5,160,879	11/1992	Tortola et al. .	
D. 366,127	1/1996	Yuen .	5,220,152	6/1993	Doran .	
D. 368,318	3/1996	Furth et al.	5,401,178	3/1995	Liu .	
						D26/49

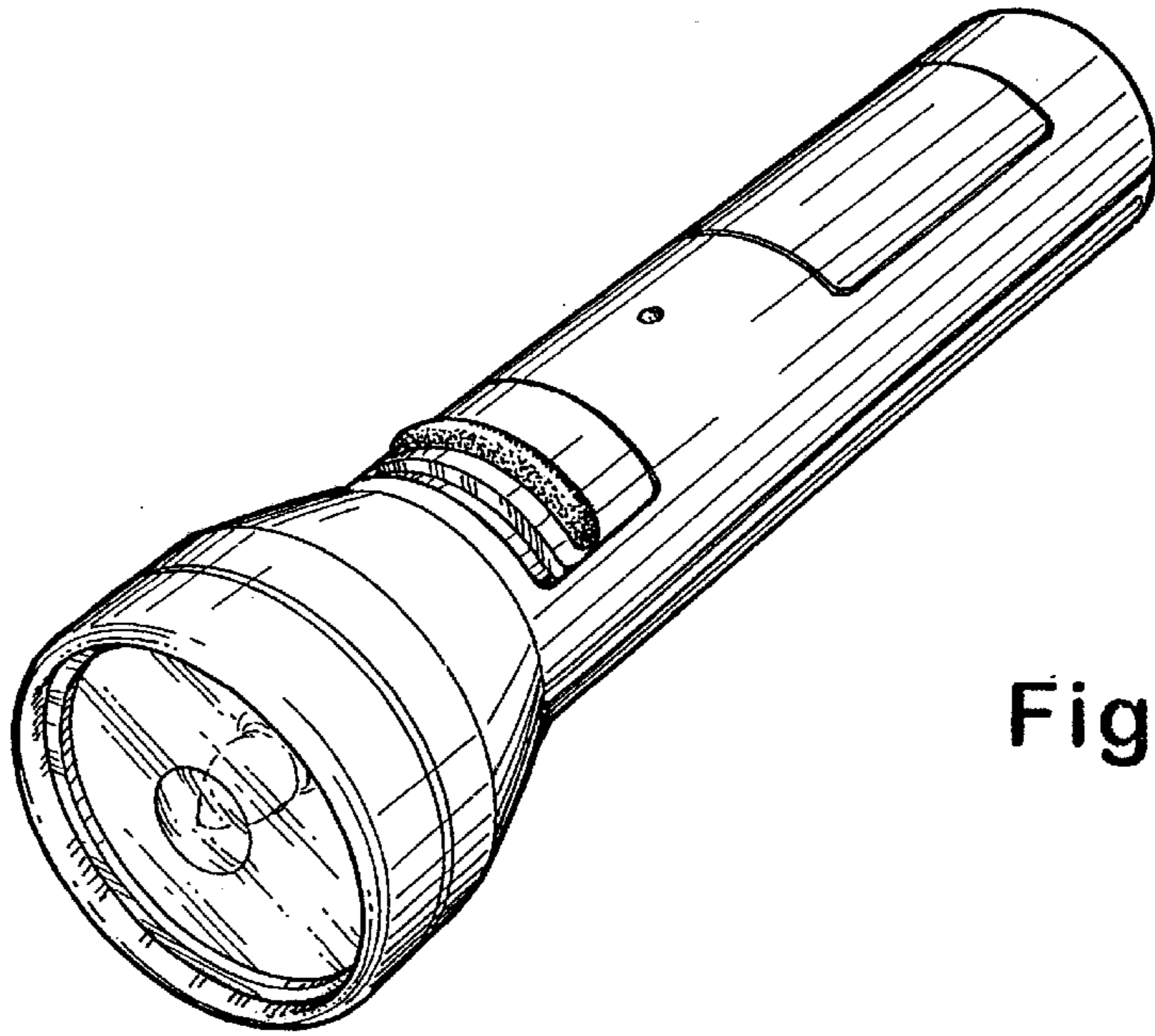


Fig. 1

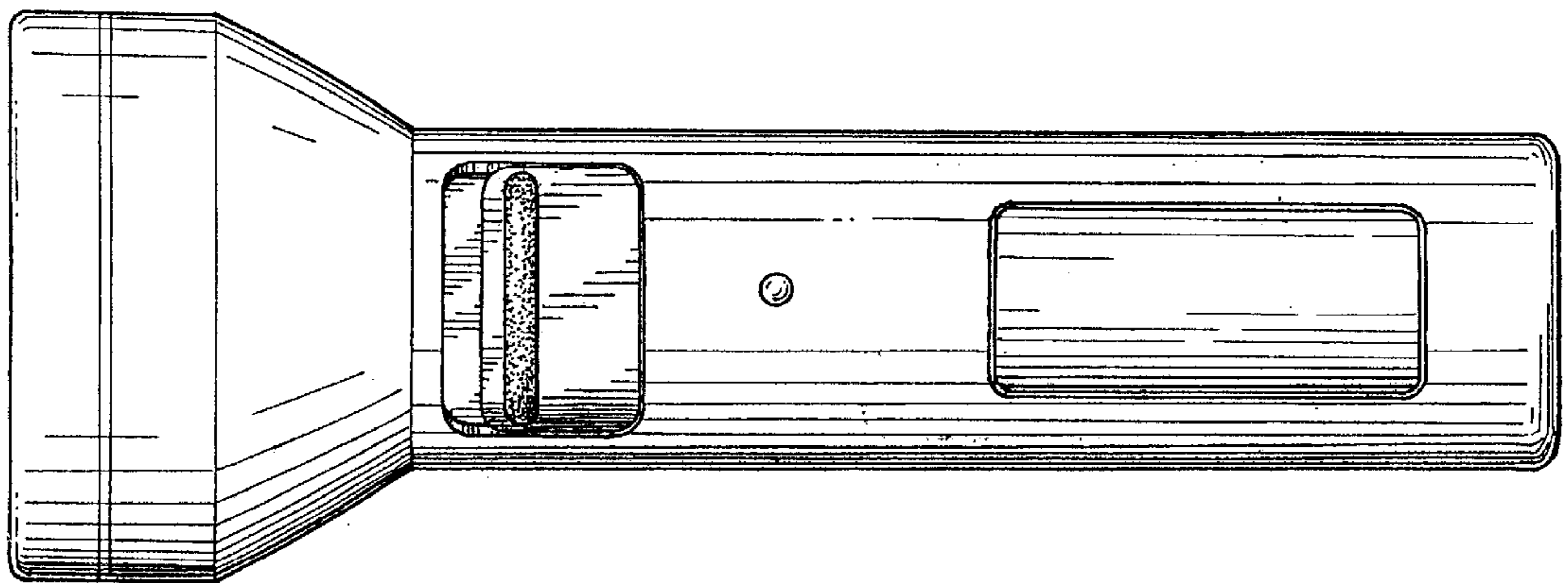


Fig. 2

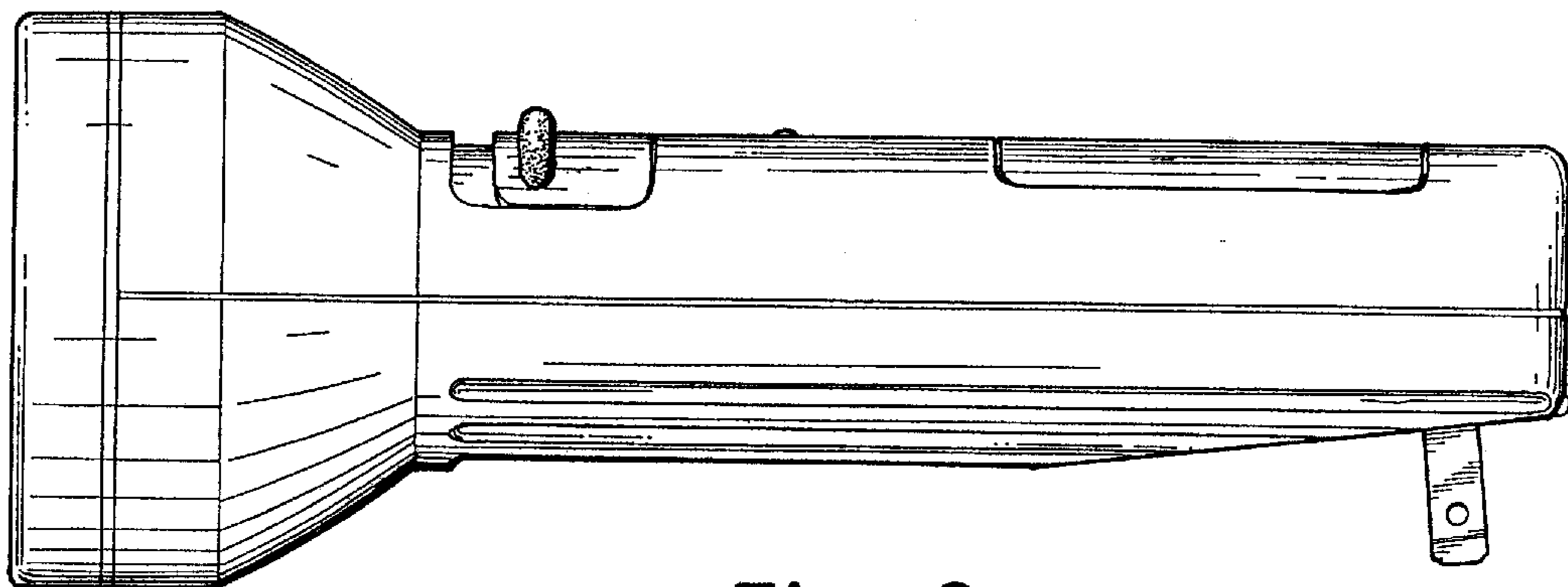


Fig. 3

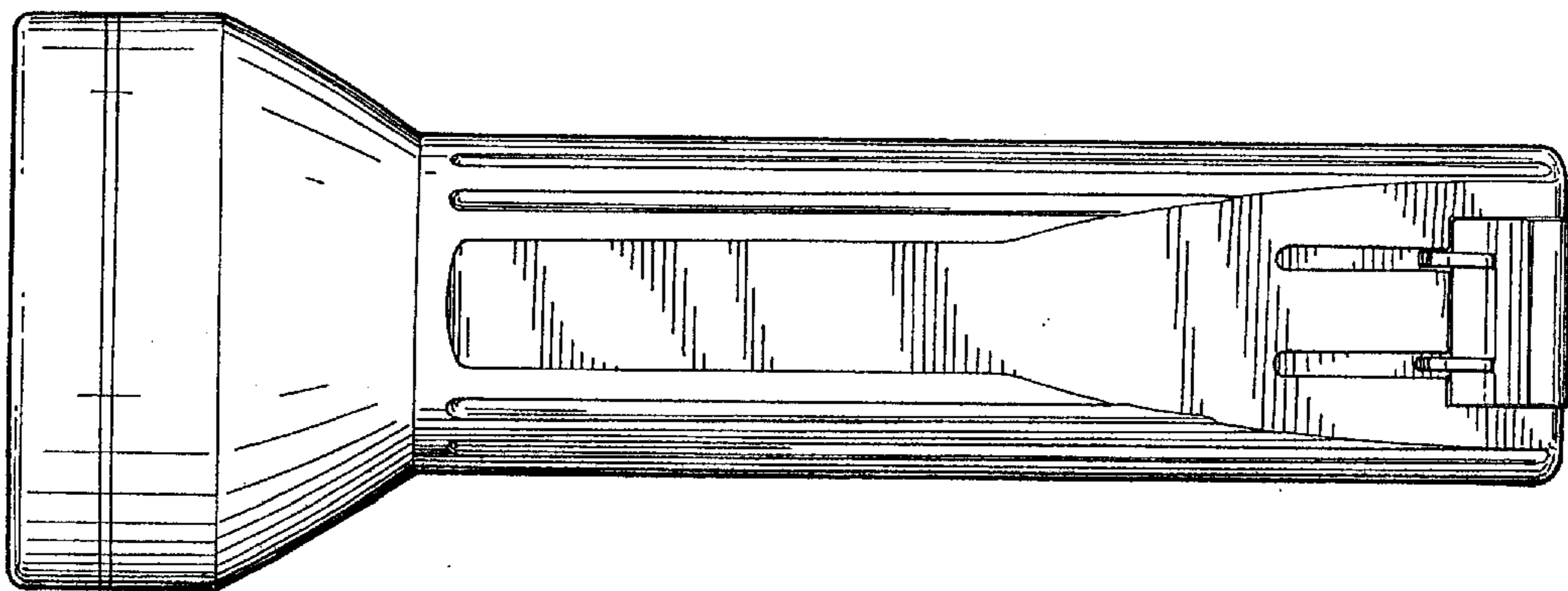


Fig. 4

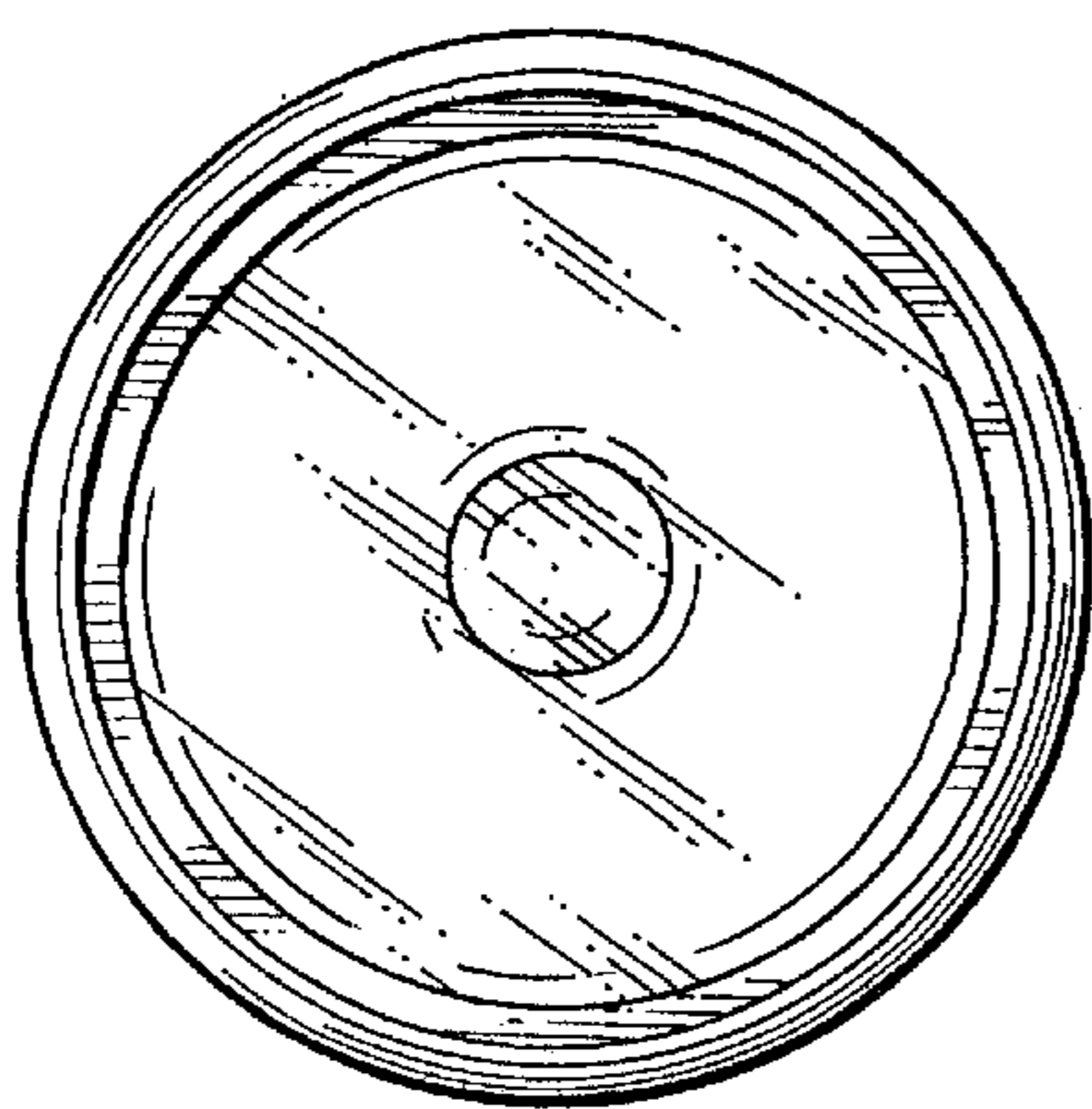


Fig. 5

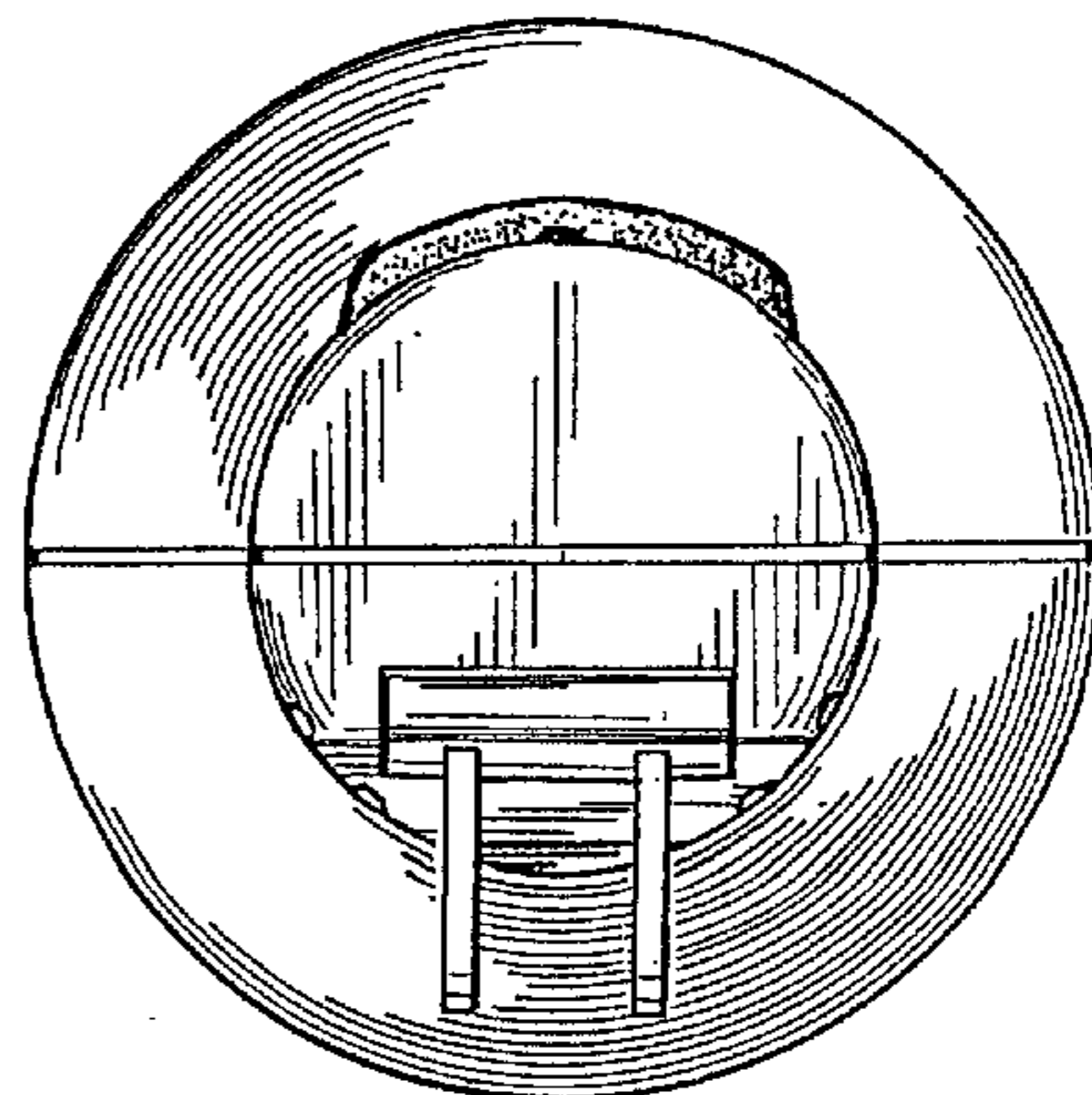


Fig. 6