



US00D403442S

United States Patent [19]

Joss

[11] **Patent Number: Des. 403,442**

[45] **Date of Patent: **Dec. 29, 1998**

[54] **COMBINED ELECTRO LUMINESCENT LIGHT AND OUTLET**

[75] Inventor: **Michael S. Joss**, Chicago, Ill.

[73] Assignee: **American Tack & Hardware Co., Inc.**, Monsey, N.Y.

[**] Term: **14 Years**

[21] Appl. No.: **81,539**

[22] Filed: **Jan. 5, 1998**

[51] **LOC (6) Cl.** **26-05**

[52] **U.S. Cl.** **D26/26; D26/72**

[58] **Field of Search** **D26/26, 72, 80-92; 362/226, 147, 432**

[56] **References Cited**

U.S. PATENT DOCUMENTS

- D. 230,189 1/1974 Dietz et al. D26/26
- D. 368,535 4/1996 Braviroff D26/26

- D. 376,214 12/1996 Pinchuk D26/26
- D. 376,436 12/1996 Emmerling D26/26

Primary Examiner—Susan J. Lucas
Attorney, Agent, or Firm—Hedman, Gibson & Costigan, P.C.

[57] **CLAIM**

The ornamental design for a combined electro luminescent light and outlet, as shown and described.

DESCRIPTION

FIG. 1 is a front perspective view of a combined electro luminescent light and outlet according to my design; FIG. 2 is a top view of my design; FIG. 3 is a front view of my design; FIG. 4 is a left side view of my design; FIG. 5 is a right side view of my design; FIG. 6 is a back view of my design; and, FIG. 7 is a bottom view of my design.

1 Claim, 3 Drawing Sheets

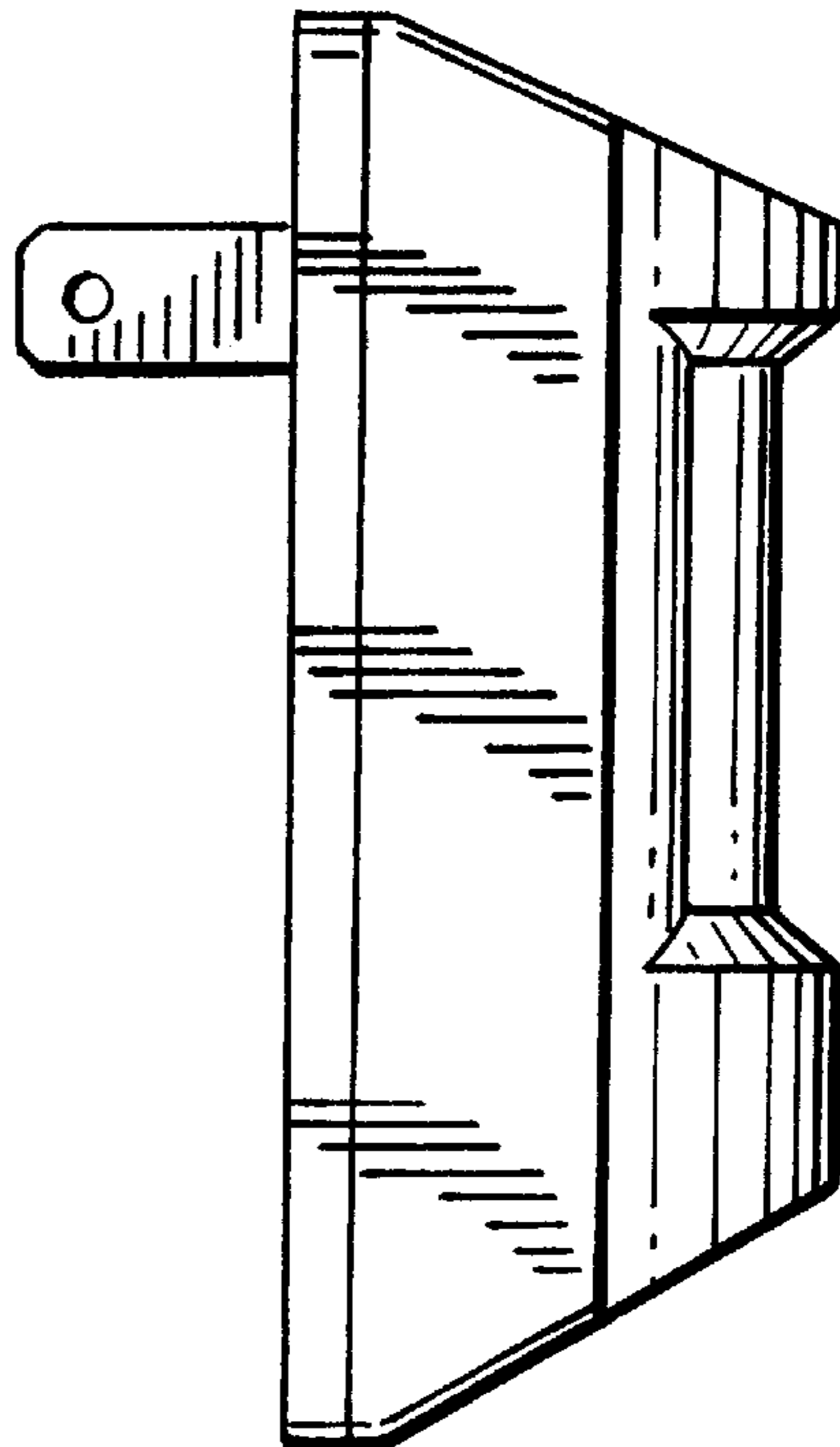
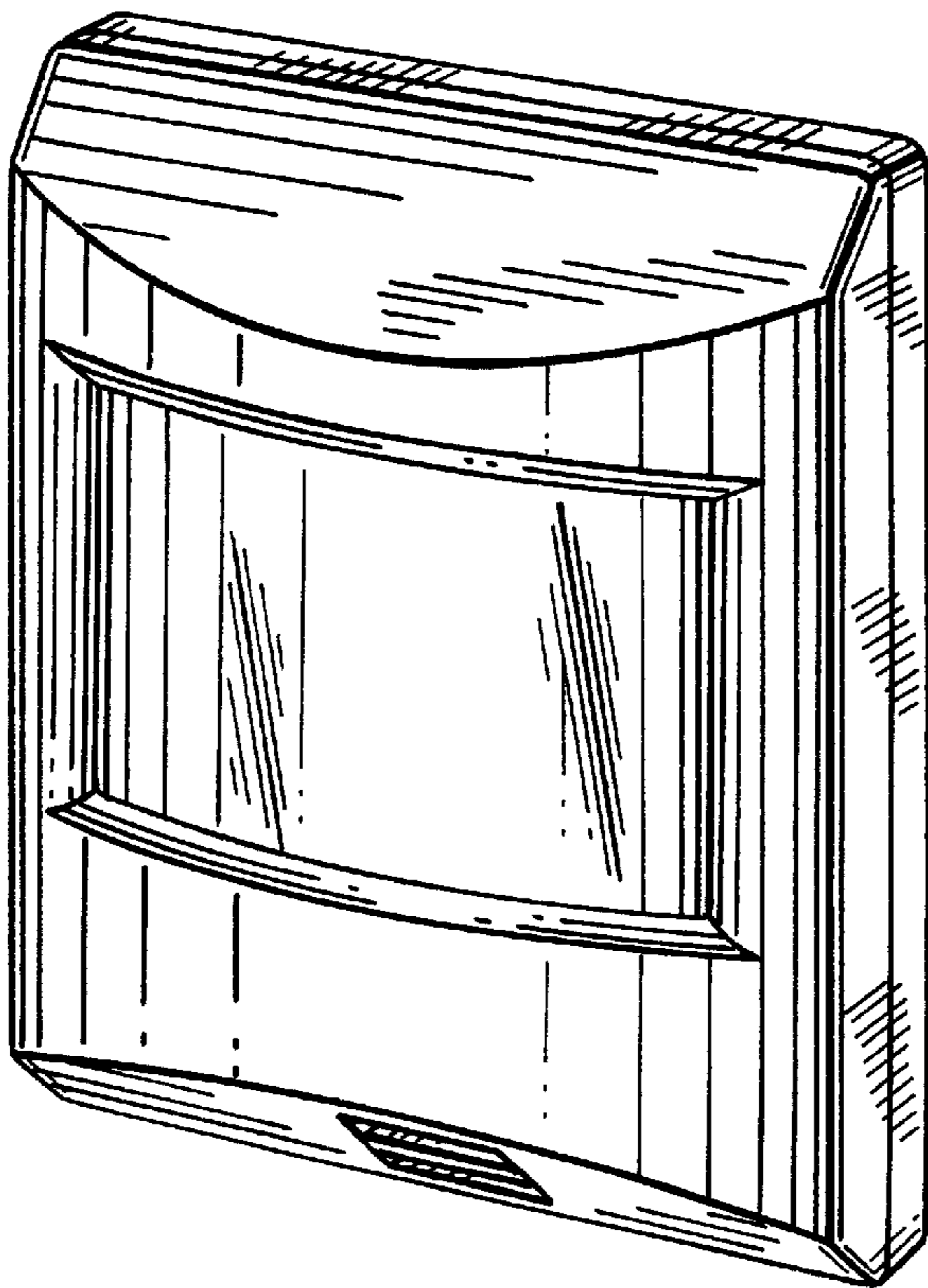


FIG. 1

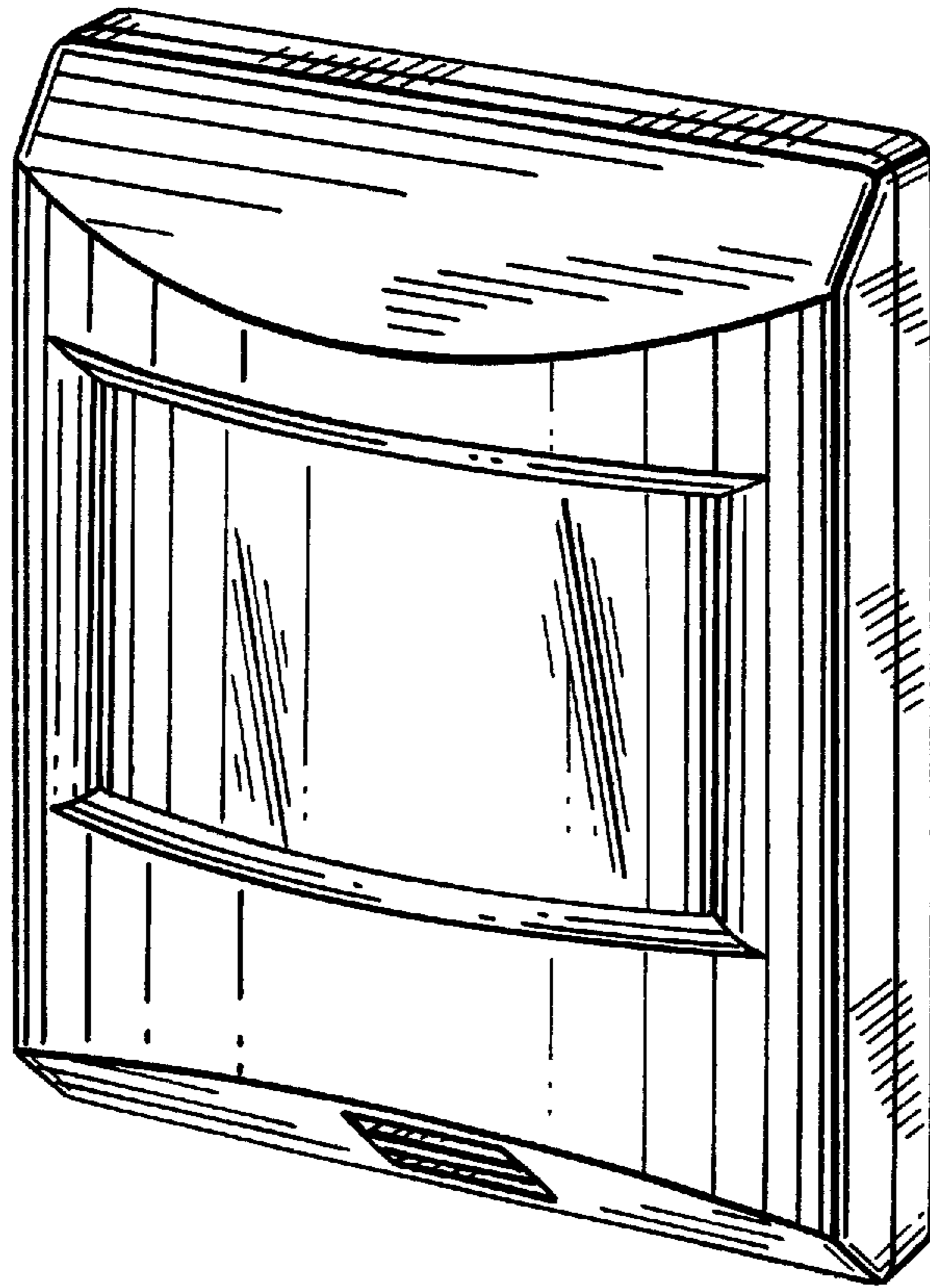
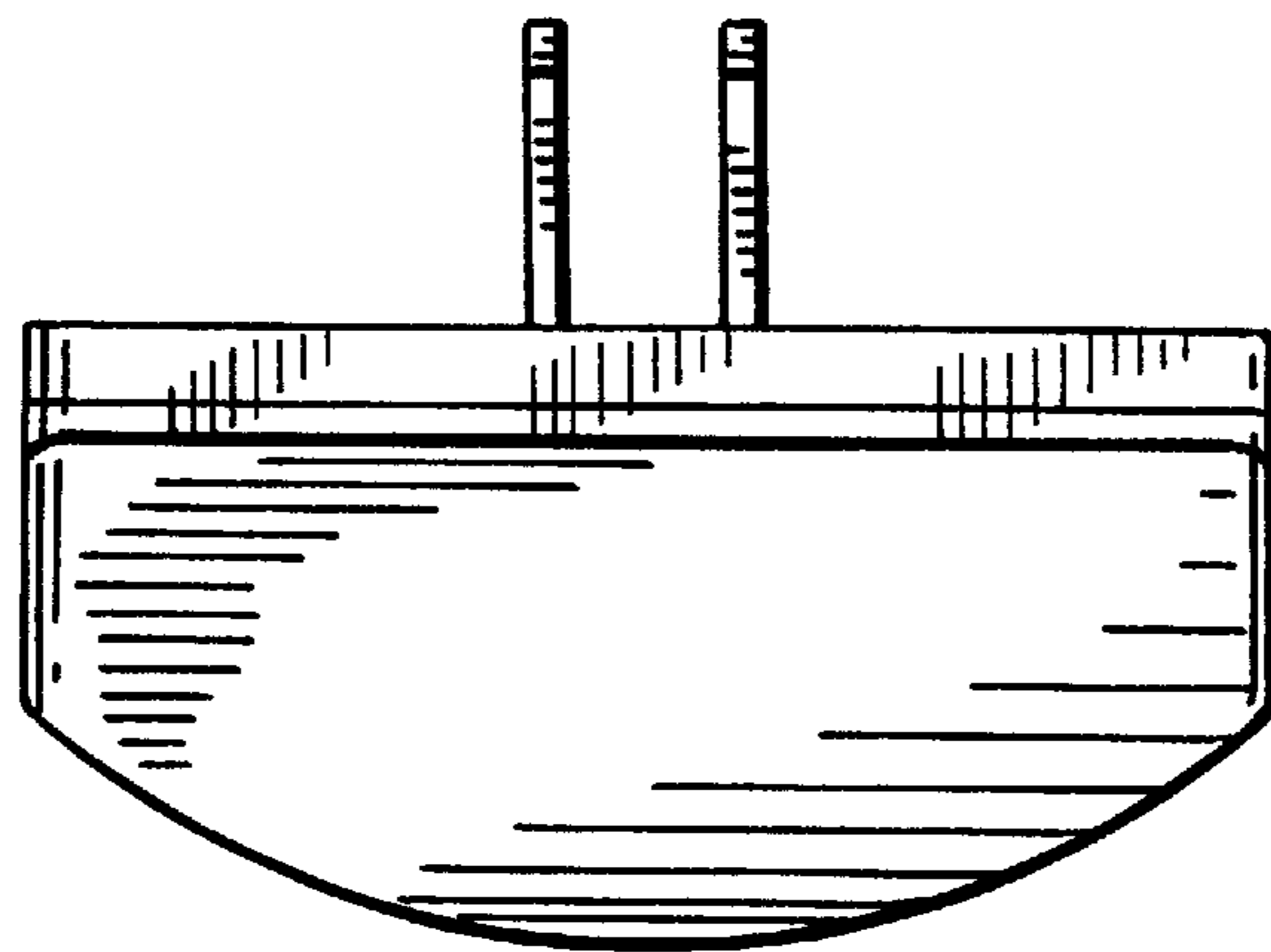


FIG. 2



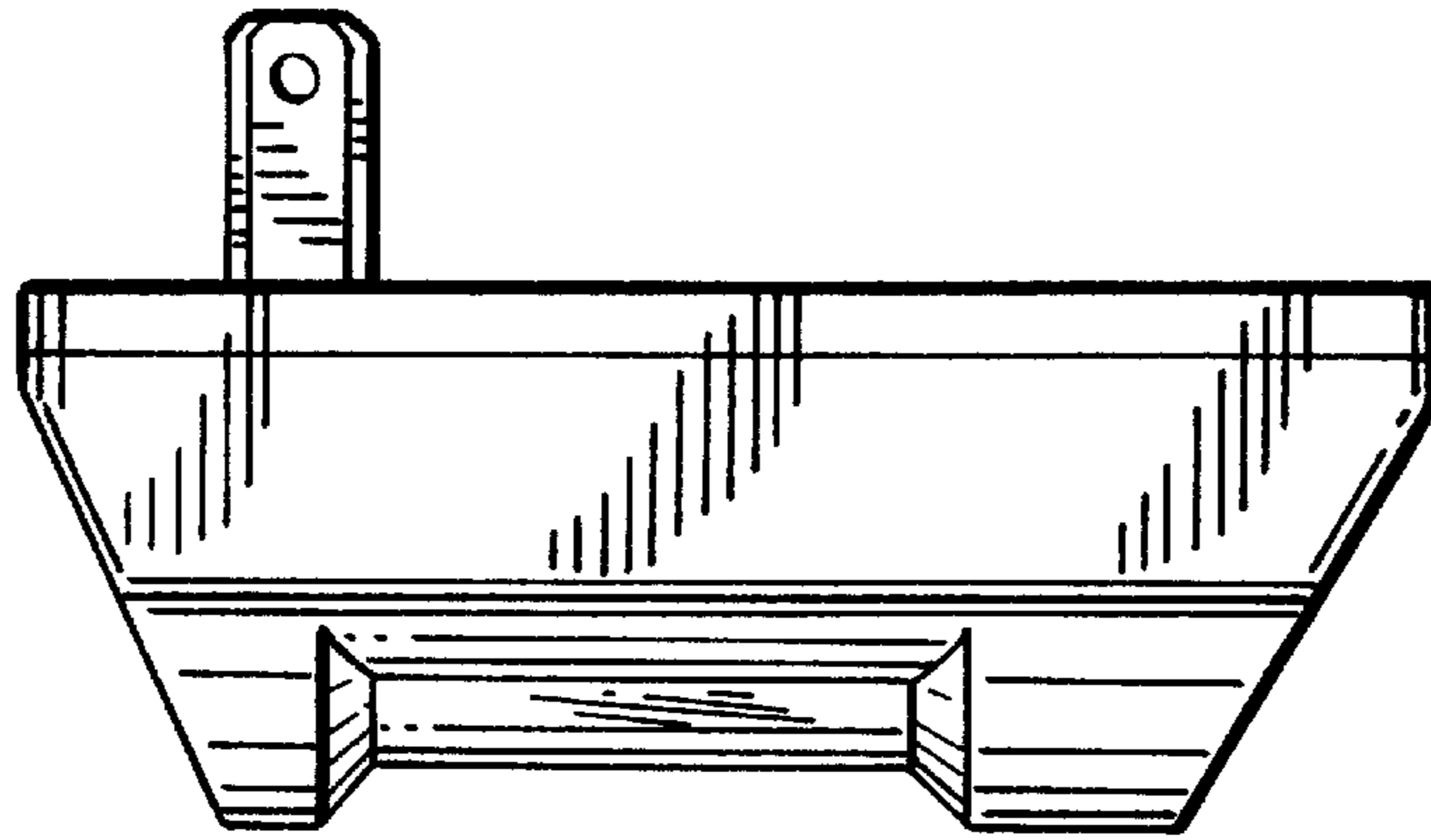


FIG. 3

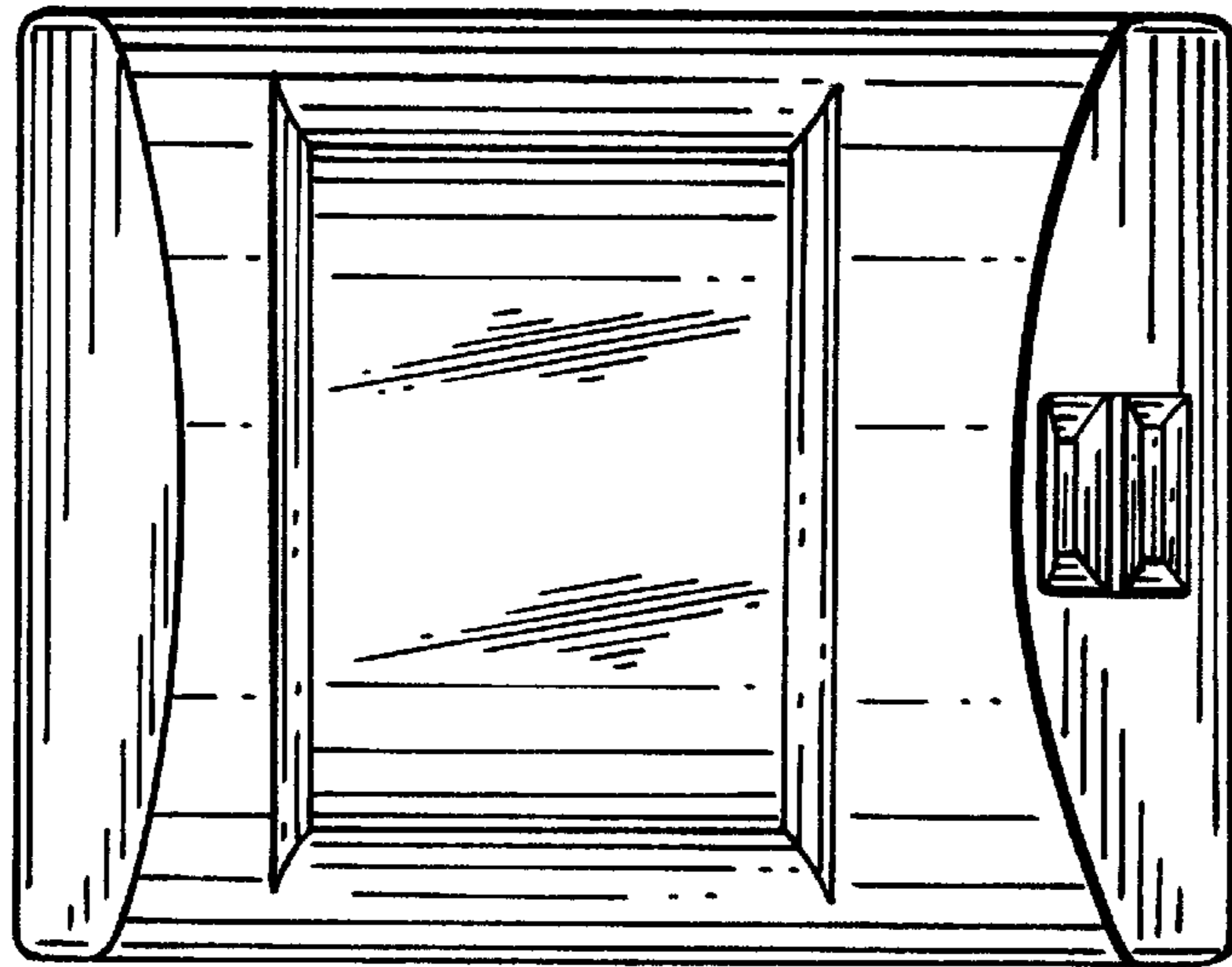


FIG. 4

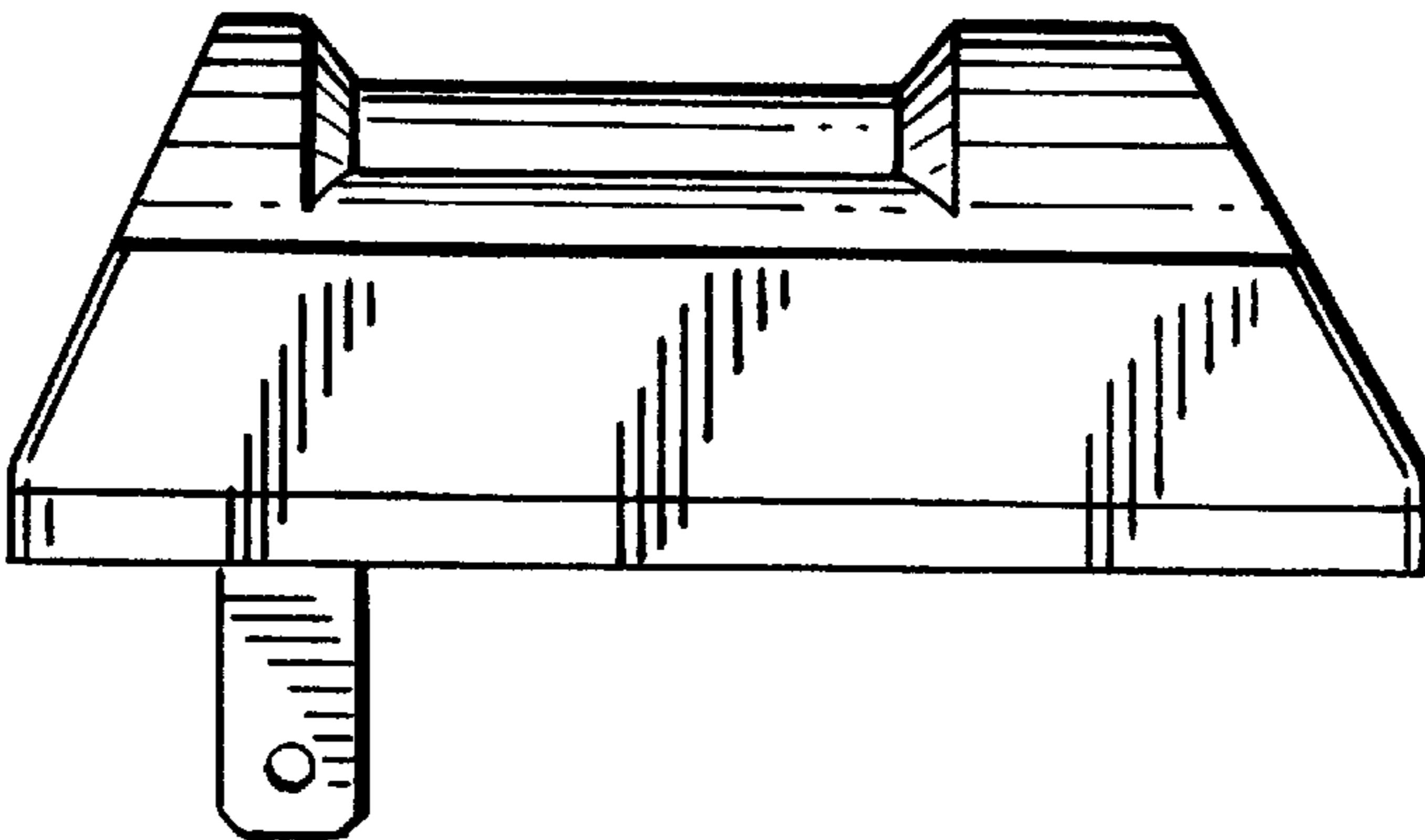


FIG. 5

FIG.6

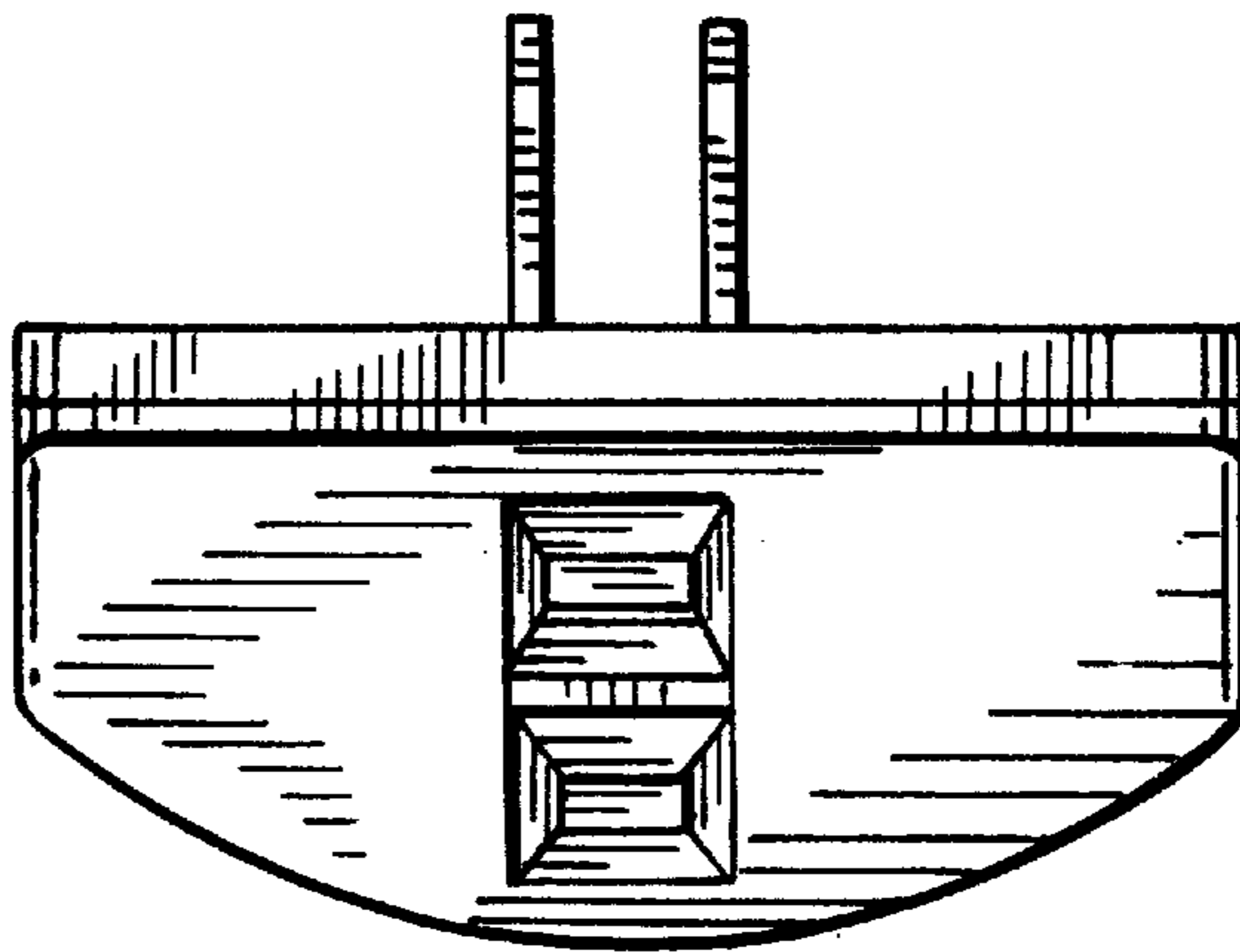
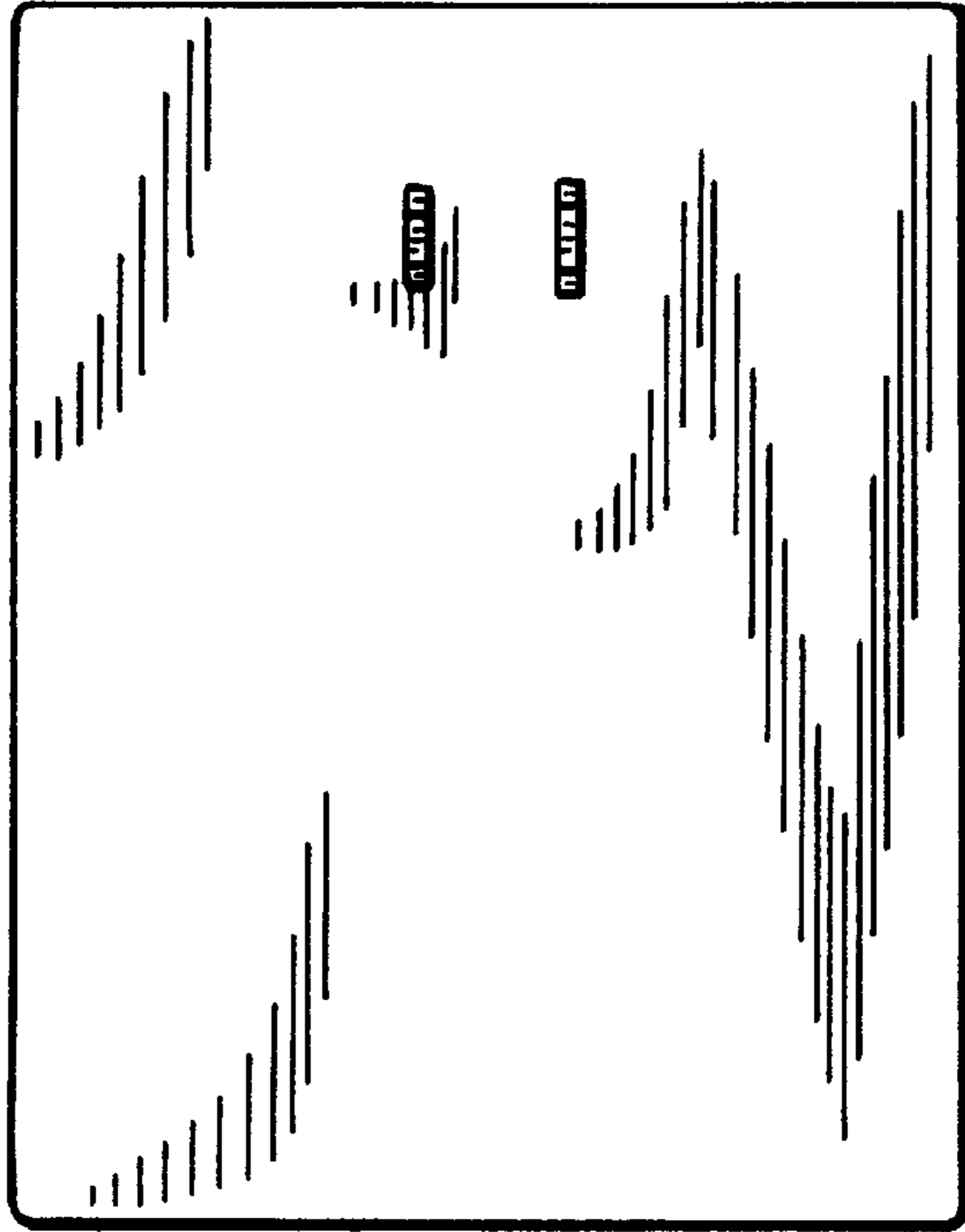


FIG.7