

US00D403440S

United States Patent [19]

Holmes et al.

[11] Patent Number: **Des. 403,440**

[45] Date of Patent: ****Dec. 29, 1998**

[54] WINDOW CANDLE HOLDER

5,199,781	4/1993	Sweeny	362/392
5,407,164	4/1995	Quinn	248/316.7
5,422,803	6/1995	Kilgore	362/392

[76] Inventors: **Anthony D. Holmes; Bessie M. Holmes**, both of 6705 Poplar Grove Trail, Greensboro, N.C. 27410

Primary Examiner—Alan P. Douglas
Assistant Examiner—Robin V. Taylor
Attorney, Agent, or Firm—David L. Volk

[**] Term: **14 Years**

[21] Appl. No.: **79,524**

[57] **CLAIM**

[22] Filed: **Nov. 19, 1997**

The ornamental design for a window candle holder, as shown and described.

[51] LOC (6) Cl. **26-01**

DESCRIPTION

[52] U.S. Cl. **D26/9**

[58] Field of Search D26/9, 10, 96,
D26/138; D8/349, 363, 354; 362/161-163,
392; 431/296-7

FIG. 1 is a perspective view of a window candle holder showing my new design;

FIG. 2 is a perspective view thereof, shown without the environmental structure;

FIG. 3 is a left side elevational view thereof, the opposite side being a mirror image;

FIG. 4 is a front elevational view thereof;

FIG. 5 is a rear elevational view thereof;

FIG. 6 is a top plan view thereof; and,

FIG. 7 is a bottom plan view thereof.

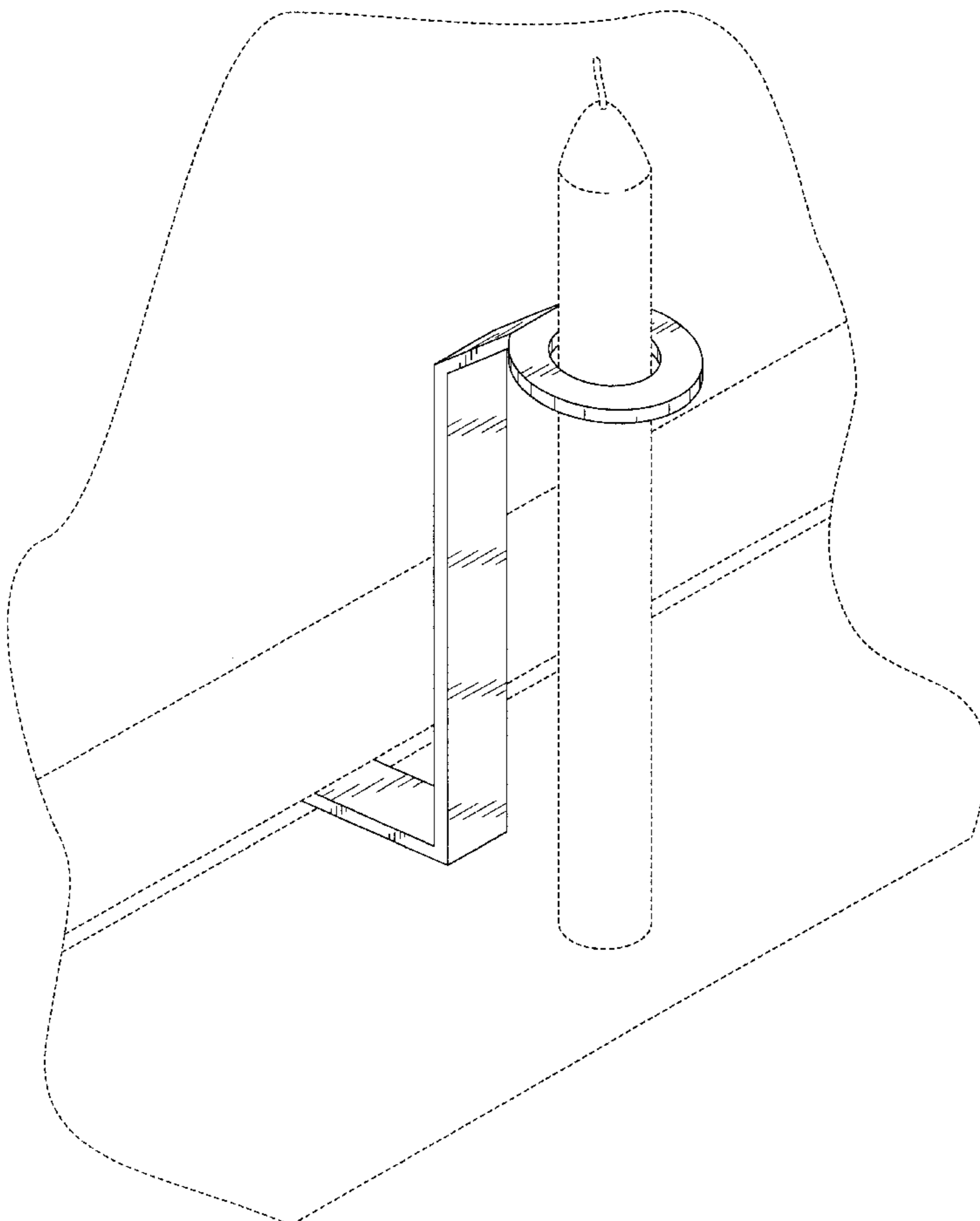
The broken line illustration shows environmental structure and forms no part of the claimed invention. Undisclosed surfaces are plain and unornamented.

[56] **References Cited**

U.S. PATENT DOCUMENTS

D. 244,045	4/1977	Geddes et al. .	
D. 289,799	5/1987	Flaherty	D26/9
D. 313,660	1/1991	Adams	D26/9
D. 320,864	10/1991	Boschetto	D26/9
D. 324,990	3/1992	Gary	D8/354
D. 325,866	5/1992	Gary	D8/354
1,842,904	1/1932	Greenan	362/392
4,392,191	7/1983	White, Sr.	362/392
4,468,721	8/1984	Vandrilla	362/392

1 Claim, 3 Drawing Sheets



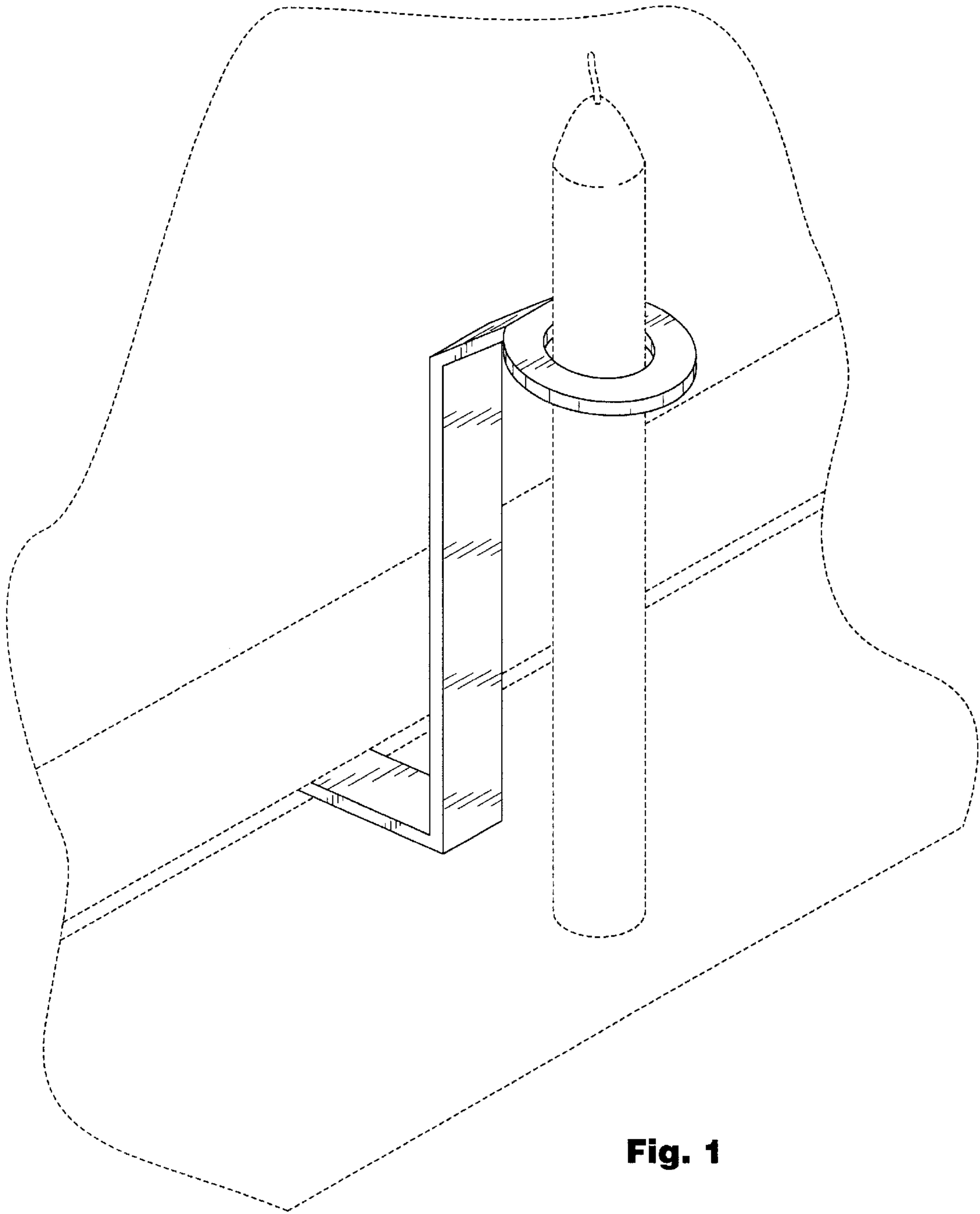


Fig. 1

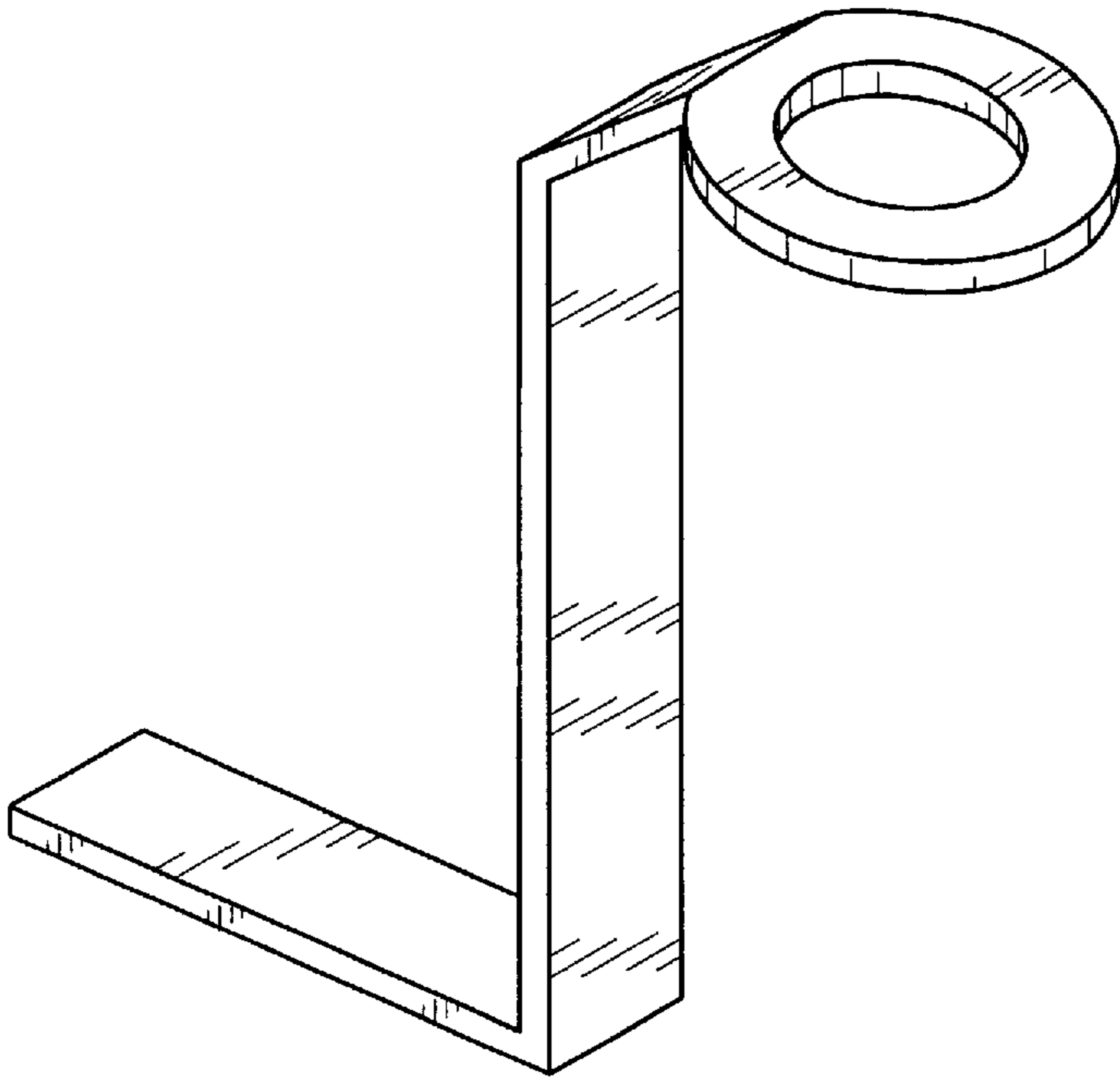


Fig. 2

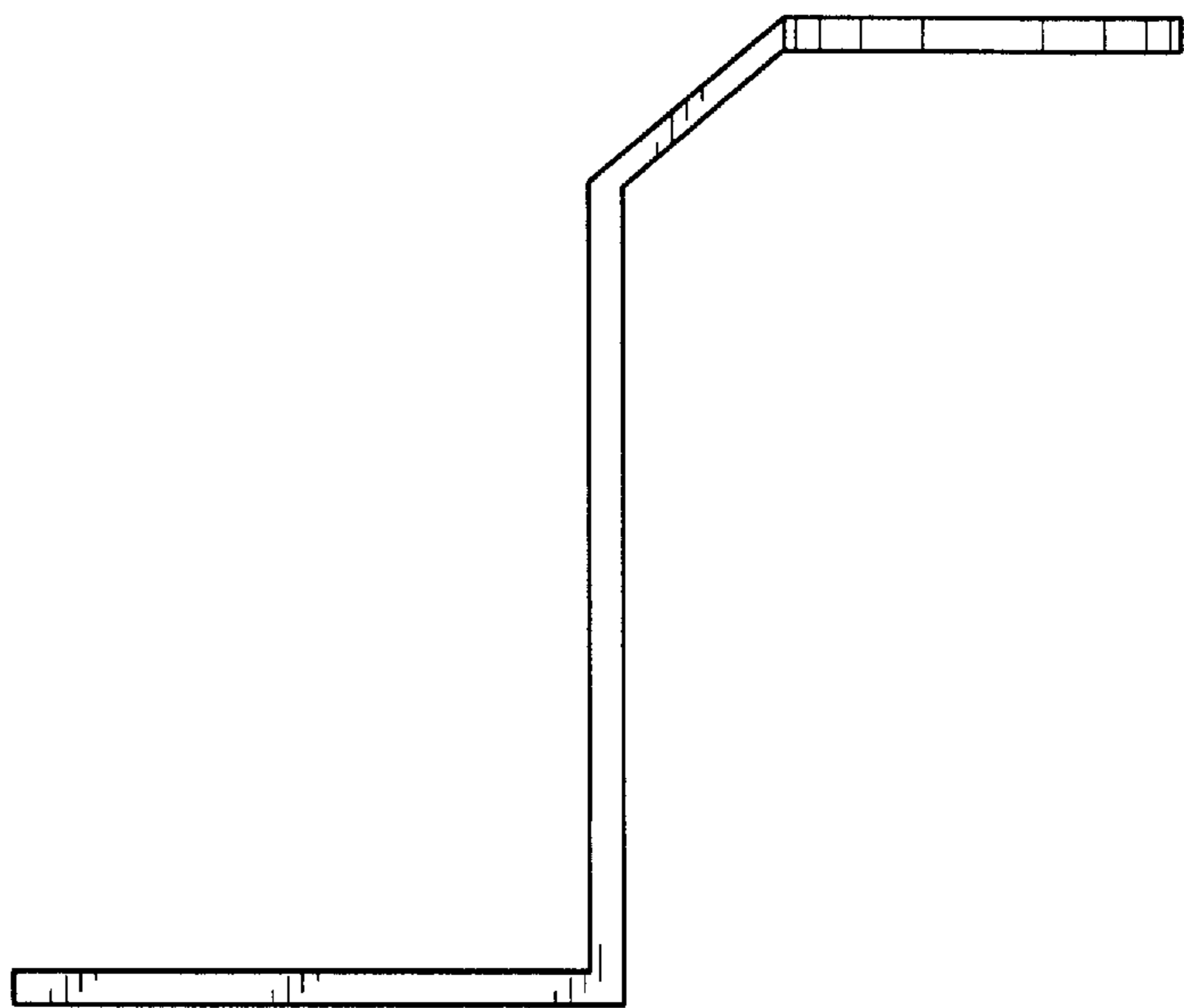


Fig. 3

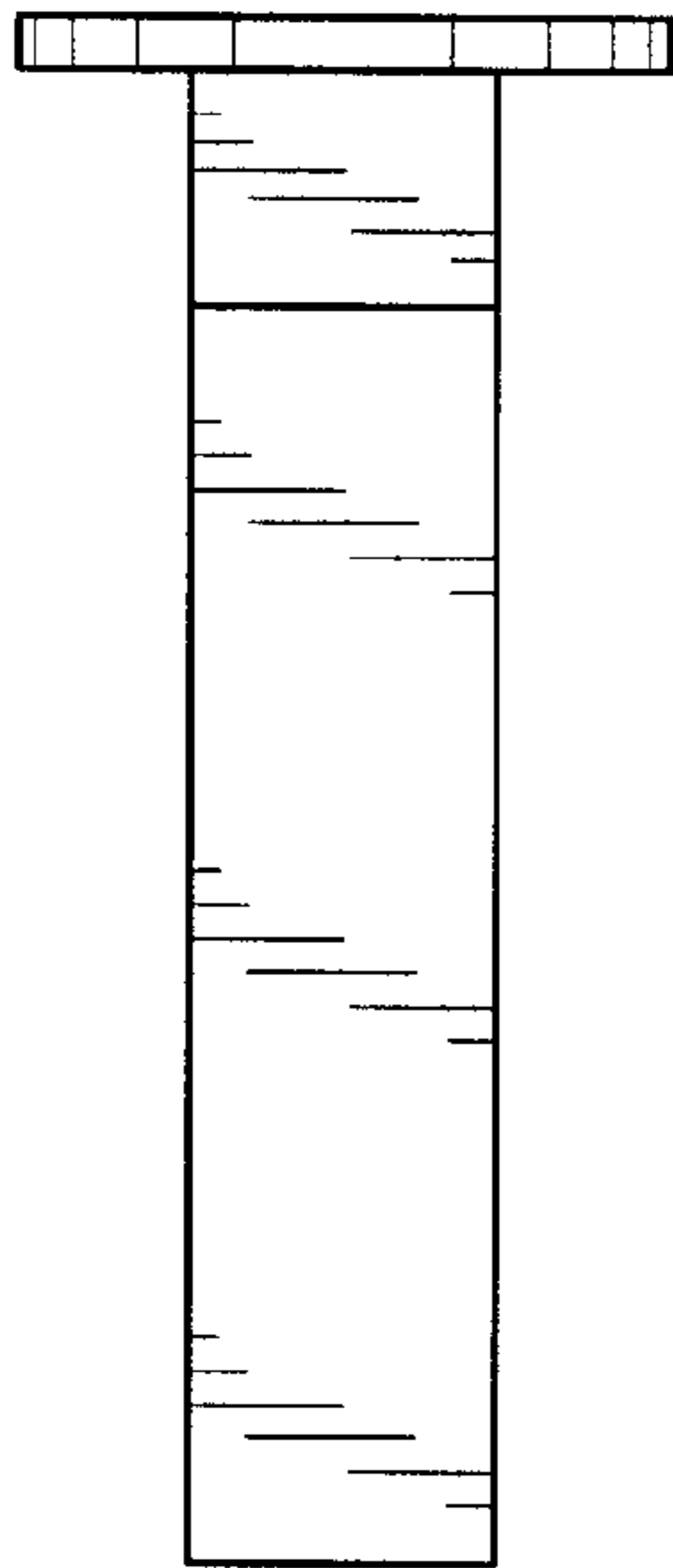


Fig. 4

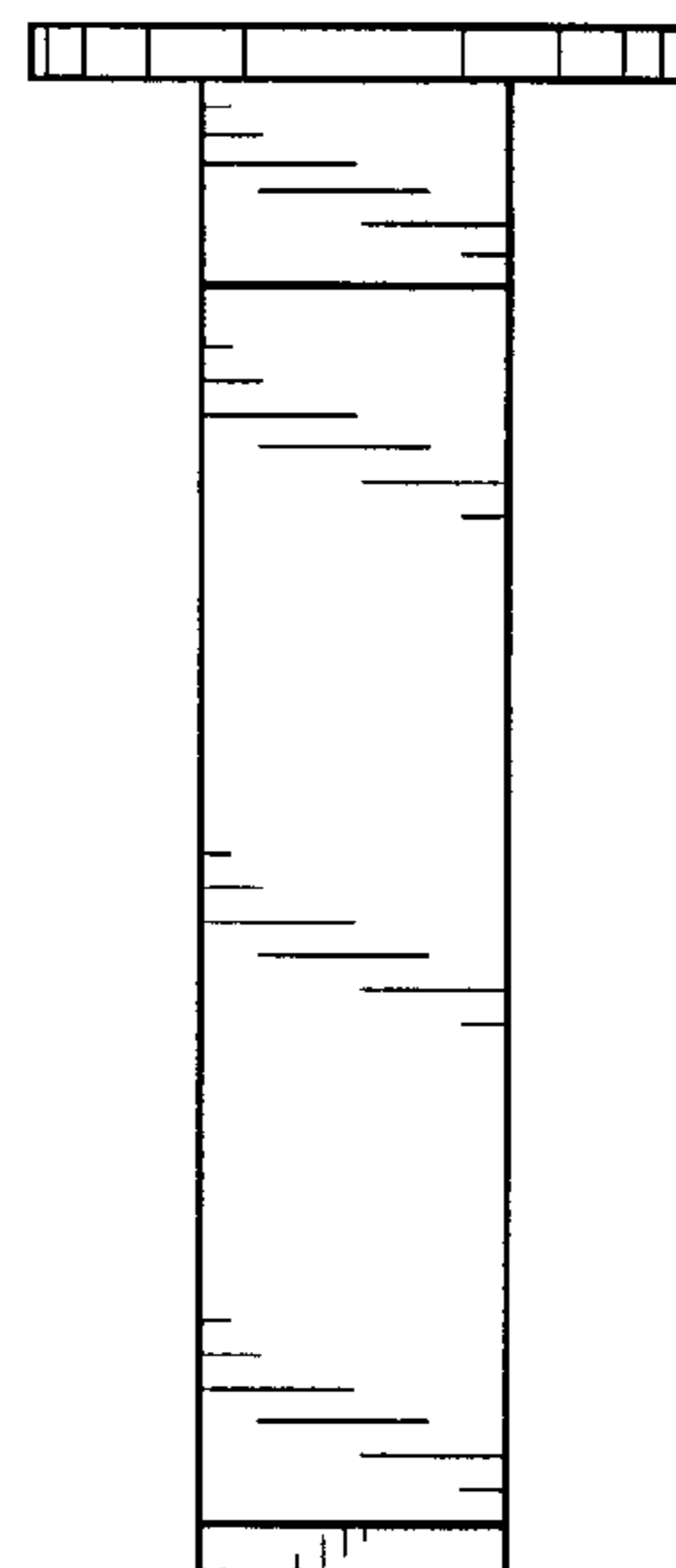


Fig. 5

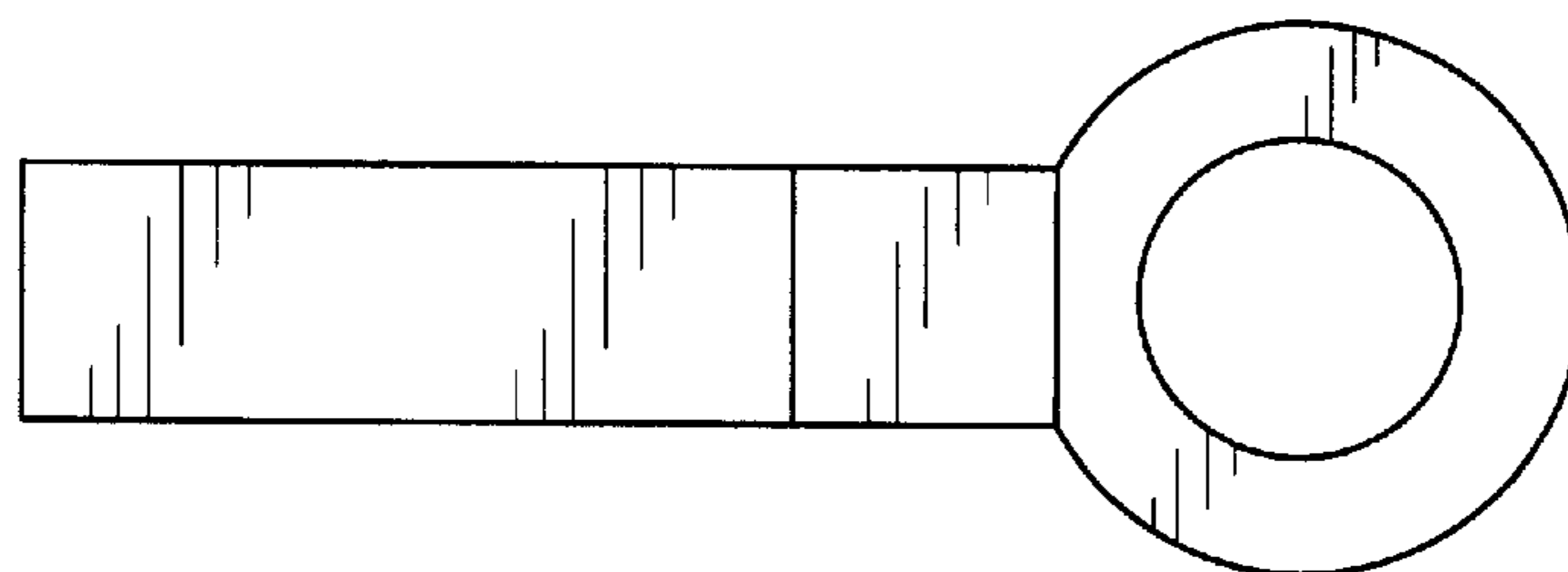


Fig. 6

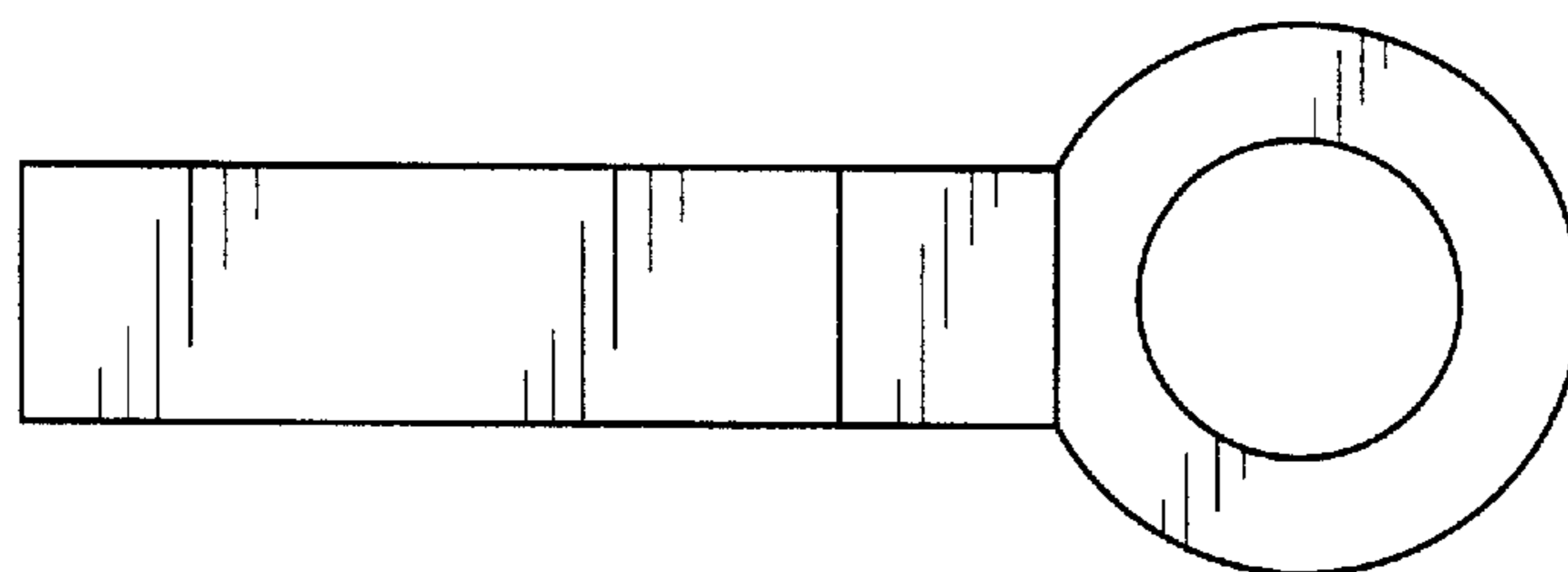


Fig. 7