



US00D403433S

United States Patent [19]
Lindén

[11] **Patent Number: Des. 403,433**
[45] **Date of Patent: **Dec. 29, 1998**

[54] **STAND WITH MAGNETIC STRIP**

[76] Inventor: **Harald Lindén**, Teatergatan 4, S-582
18 Linköping, Sweden

[**] Term: **14 Years**

[21] Appl. No.: **64,371**

[22] Filed: **Dec. 30, 1996**

[30] **Foreign Application Priority Data**

Jul. 5, 1996 [SE] Sweden 961514

[51] **LOC (6) Cl.** **24-01**

[52] **U.S. Cl.** **D24/227**

[58] **Field of Search** D24/176, 231,
D24/183, 184, 227-229; 433/25, 49, 77;
206/369, 368, 63.5, 818, 379; 243/371;
211/DIG. 1, 69

[56] **References Cited**

U.S. PATENT DOCUMENTS

D. 254,029 1/1980 Barbagallo D24/183
935,419 9/1909 Smith 206/369

1,973,222 9/1934 Moore 206/396
2,457,421 12/1948 Warren 211/DIG. 1
2,474,036 6/1949 Curley 211/DIG. 1
5,368,161 11/1994 Plais 433/77

Primary Examiner—Louis S. Zarfes
Assistant Examiner—Gregory Andoll
Attorney, Agent, or Firm—Ostrolenk, Faber, Gerb & Soffen,
LLP

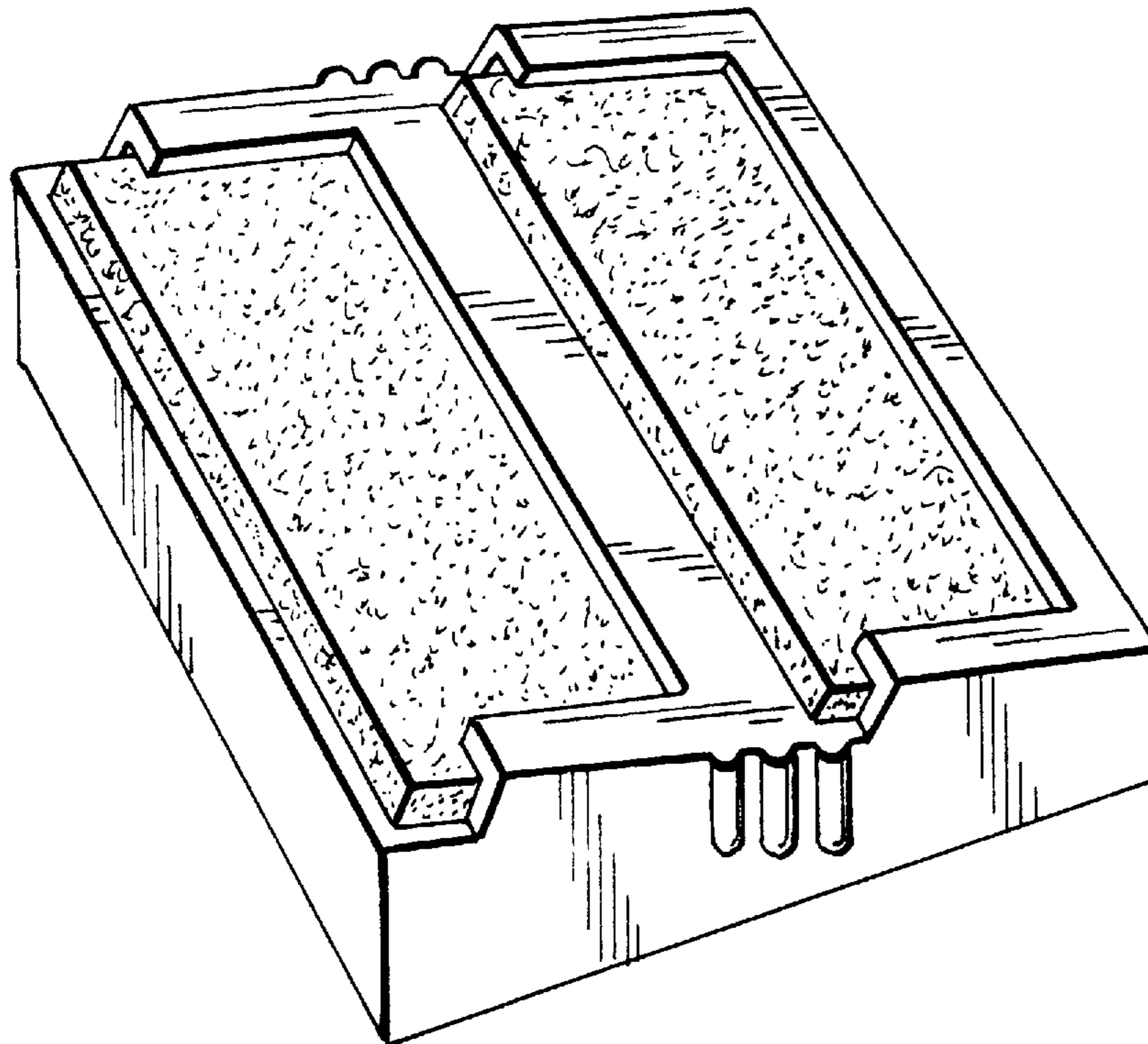
[57] **CLAIM**

The ornamental design for a stand with magnetic strip, as shown and described.

DESCRIPTION

FIG. 1 is a top, right side, front perspective view of a stand with magnetic strip showing my new design;
FIG. 2 is bottom, right side, rear perspective view thereof;
FIG. 3 is a right side view thereof, the left side being a mirror image;
FIG. 4 is top view thereof;
FIG. 5 is a bottom view thereof;
FIG. 6 is rear view thereof; and,
FIG. 7 is a bottom, left, front perspective view thereof.

1 Claim, 3 Drawing Sheets



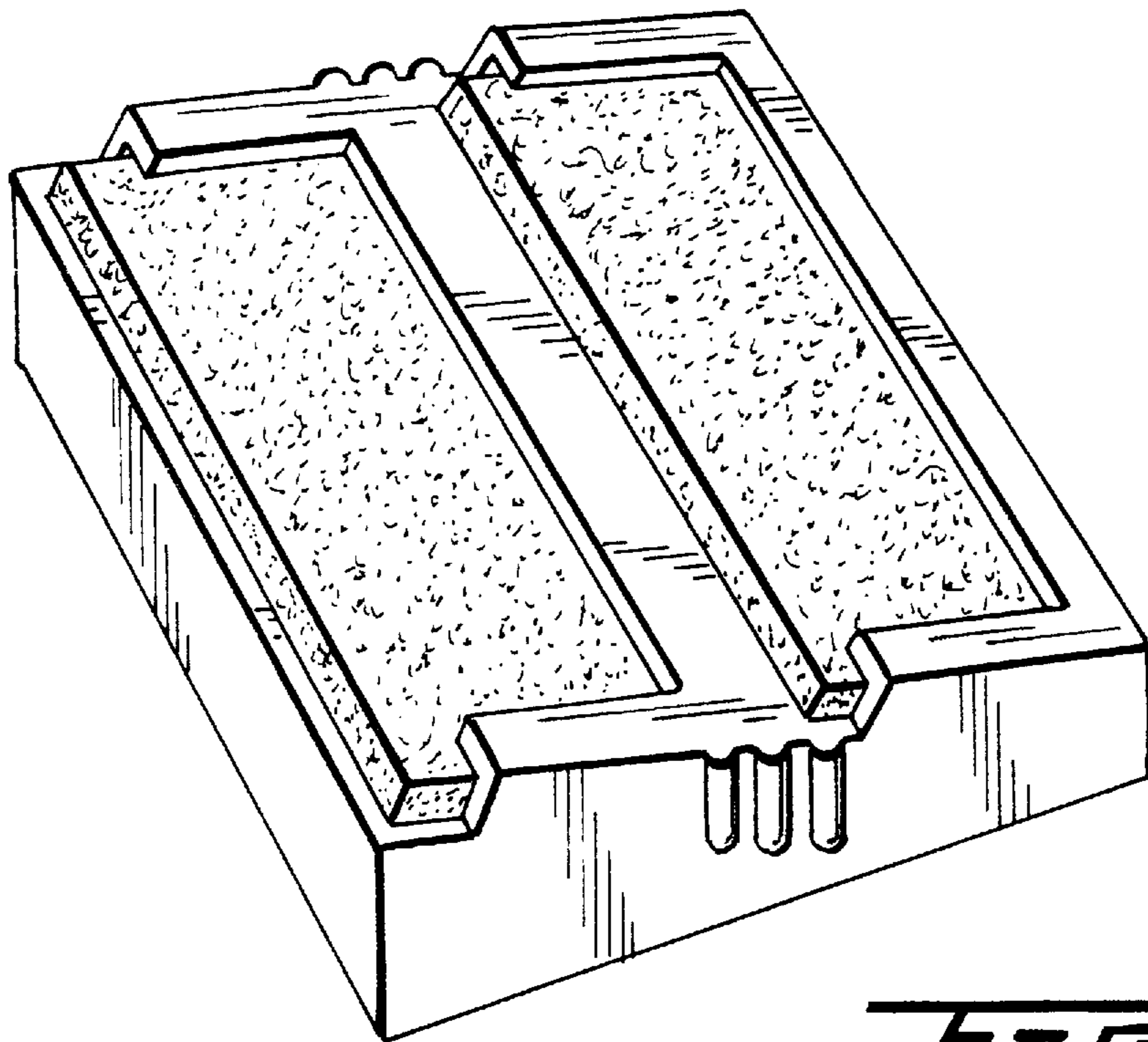


FIG. 1.

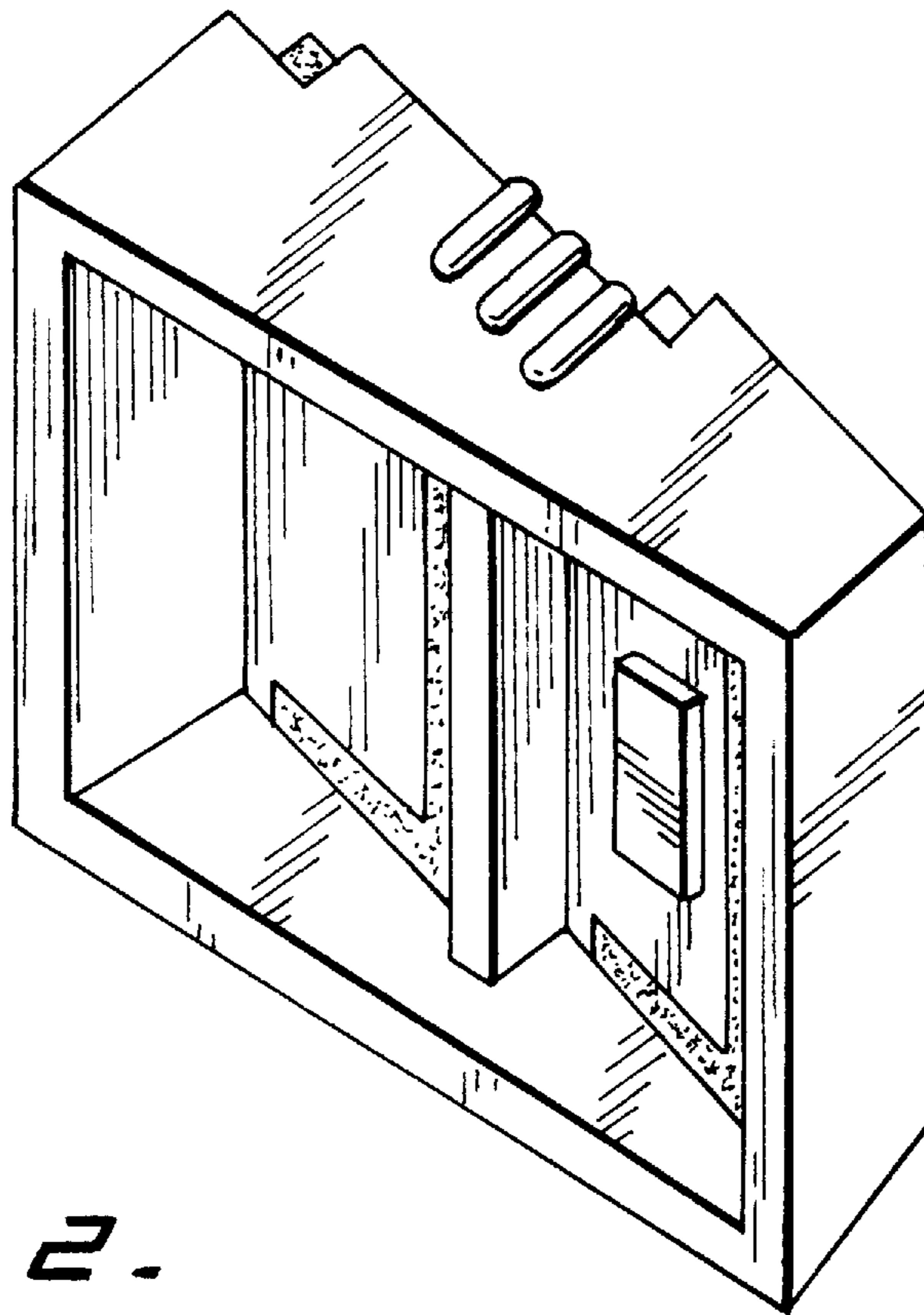


FIG. 2.

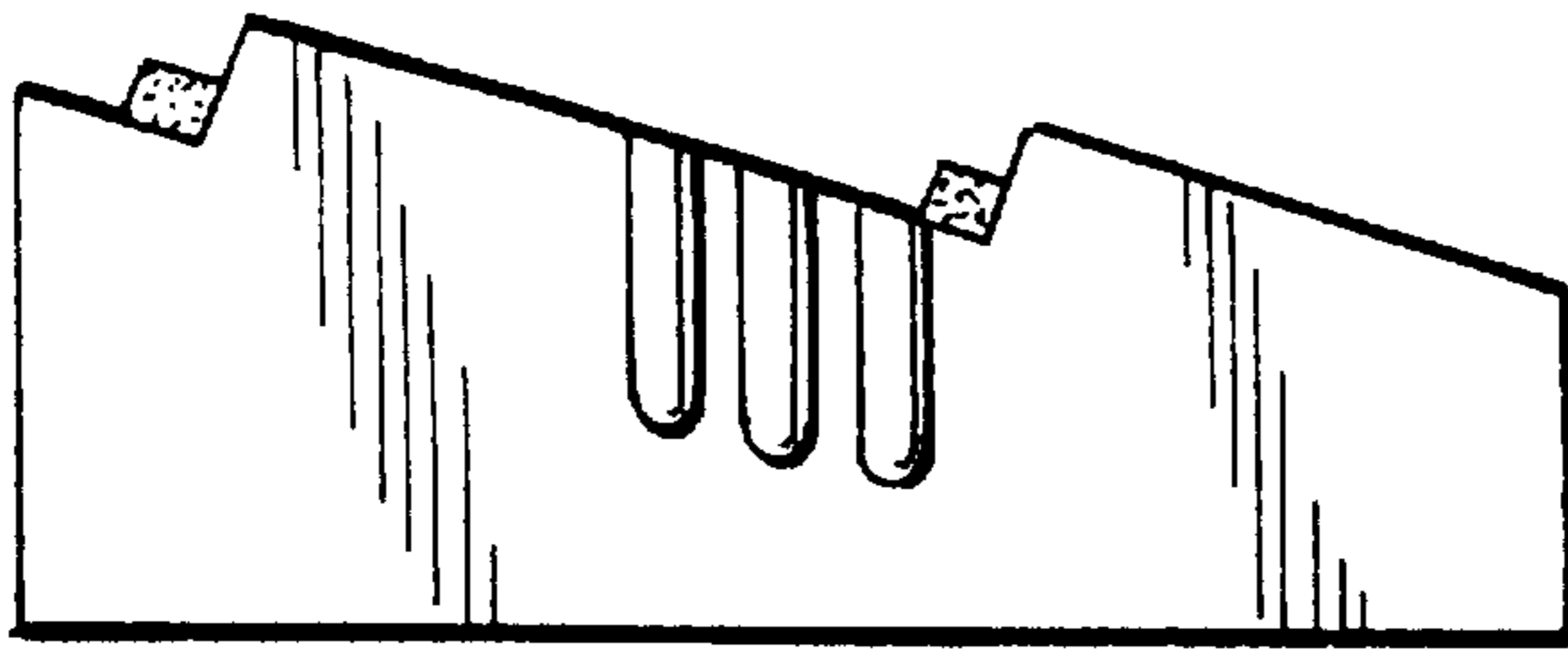


FIG. 3.

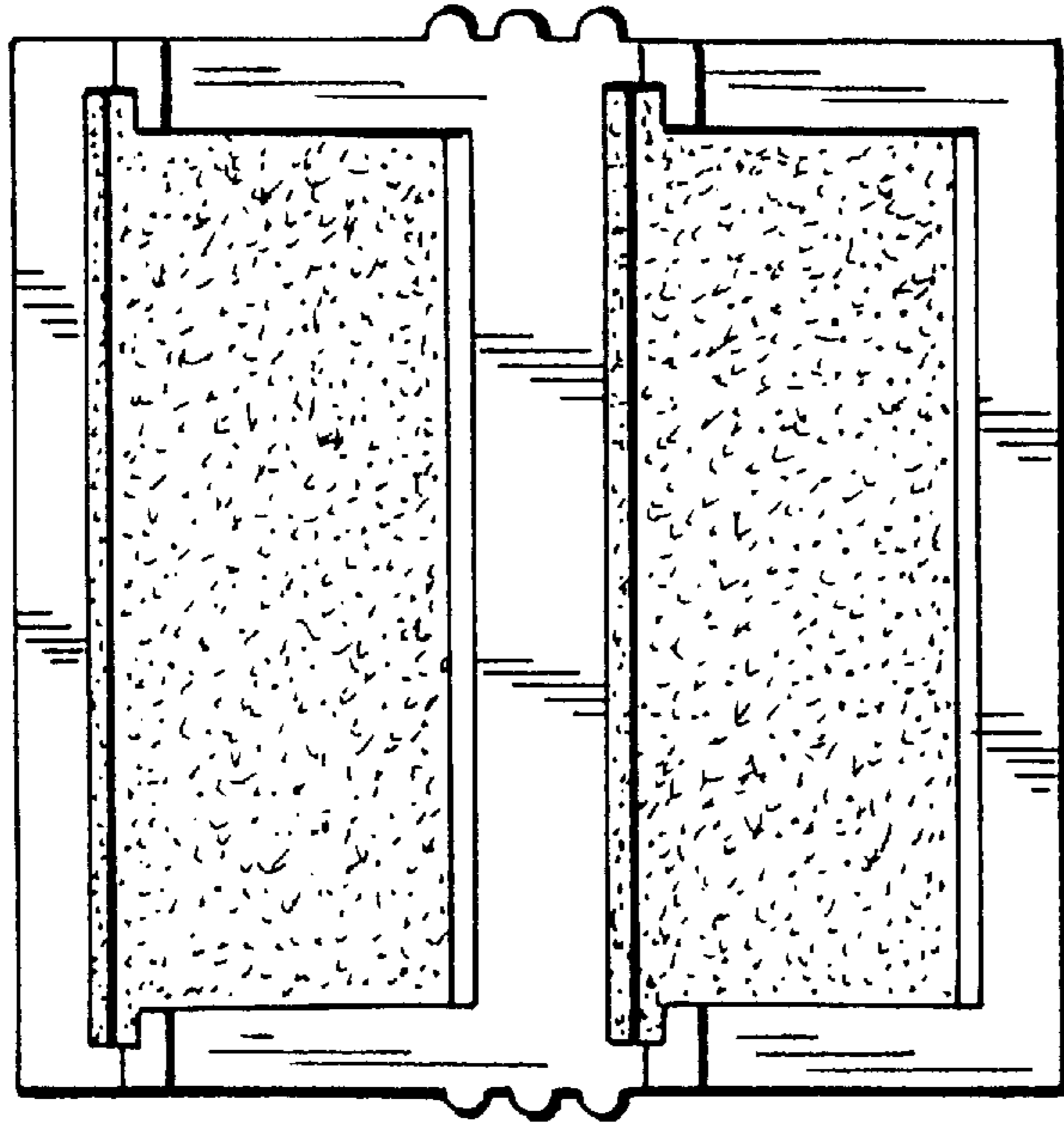


FIG. 4.

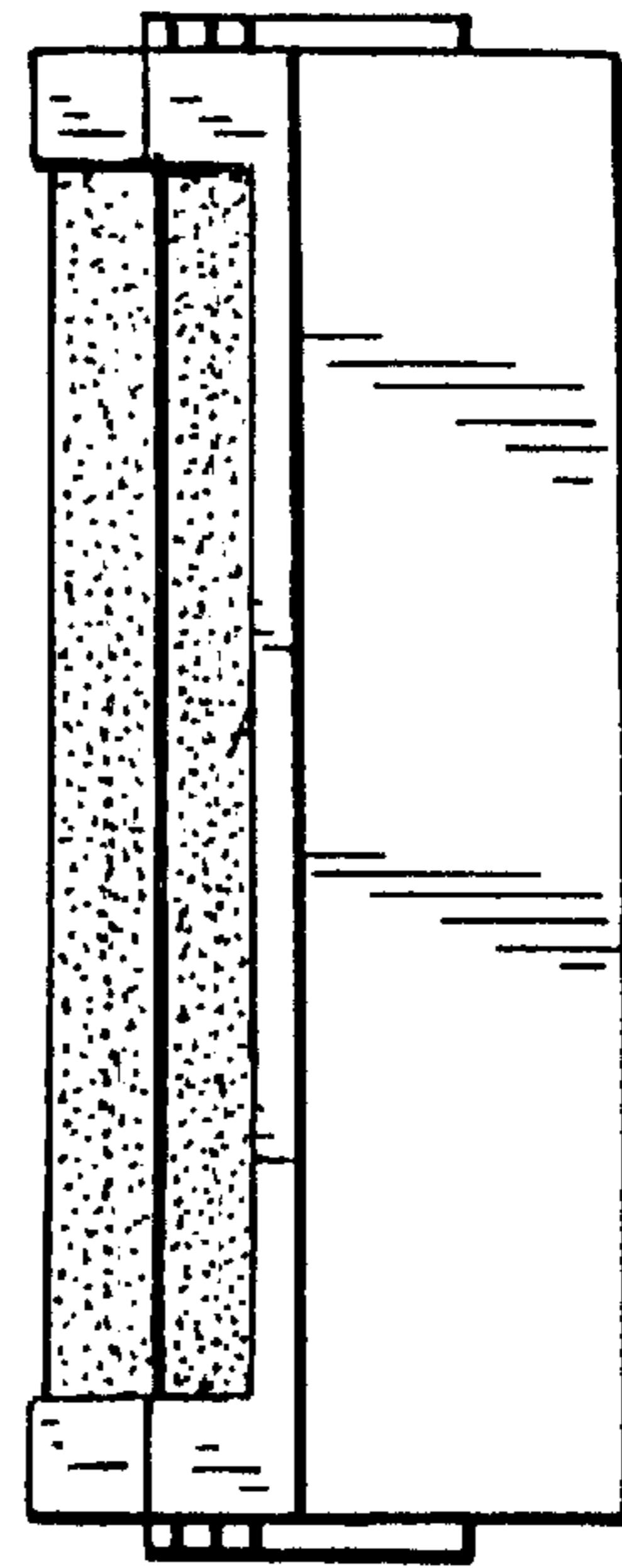


FIG. 6.

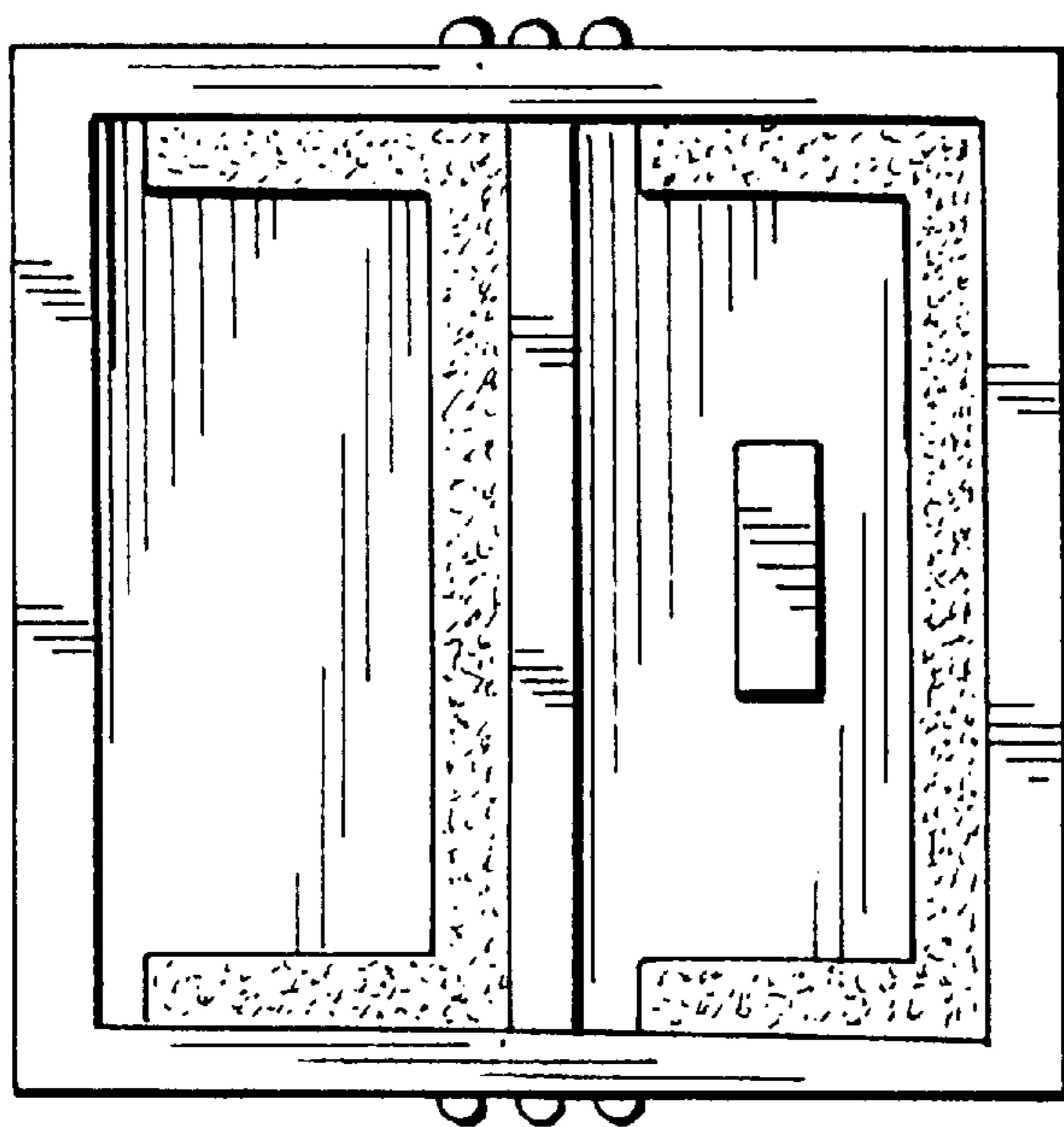


FIG. 5.

FIG. 7.

