



US00D403427S

# United States Patent [19] Pring

[11] **Patent Number: Des. 403,427**

[45] **Date of Patent: \*\*Dec. 29, 1998**

[54] **BABY BOTTLE HOLDER**

3,182,942 5/1965 Flanigan ..... 248/107

[76] Inventor: **Dara Pring**, 2 Ford Dr., North York,  
Ontario, Canada, M3N-2R3

*Primary Examiner*—Stella Reid

[\*\*] Term: **14 Years**

[57] **CLAIM**

The ornamental design for a baby bottle holder, as shown.

[21] Appl. No.: **82,446**

### DESCRIPTION

[22] Filed: **Jan. 22, 1998**

FIG. 1 is a front elevational view of the baby bottle holder of the present invention;

[51] **LOC (6) Cl.** ..... **24-04**

FIG. 2 is a back elevational view of the baby bottle holder of FIG. 1;

[52] **U.S. Cl.** ..... **D24/199**

FIG. 3 is a left side elevational view of the baby bottle holder of FIG. 1;

[58] **Field of Search** ..... D24/199; 248/102,  
248/103, 104, 105, 106, 107

FIG. 4 is a right side elevational view of the baby bottle holder of FIG. 1;

### [56] **References Cited**

#### U.S. PATENT DOCUMENTS

D. 313,472	1/1991	Pierce	.....	D24/199
760,389	5/1904	Eba	.....	248/106
2,638,296	5/1953	Battle	.....	248/105
2,639,111	5/1953	Wells	.....	248/105

FIG. 5 is a top plan view of the baby bottle holder of FIG. 1; and,

FIG. 6 is a bottom plan view of the baby bottle holder of FIG. 1.

**1 Claim, 4 Drawing Sheets**

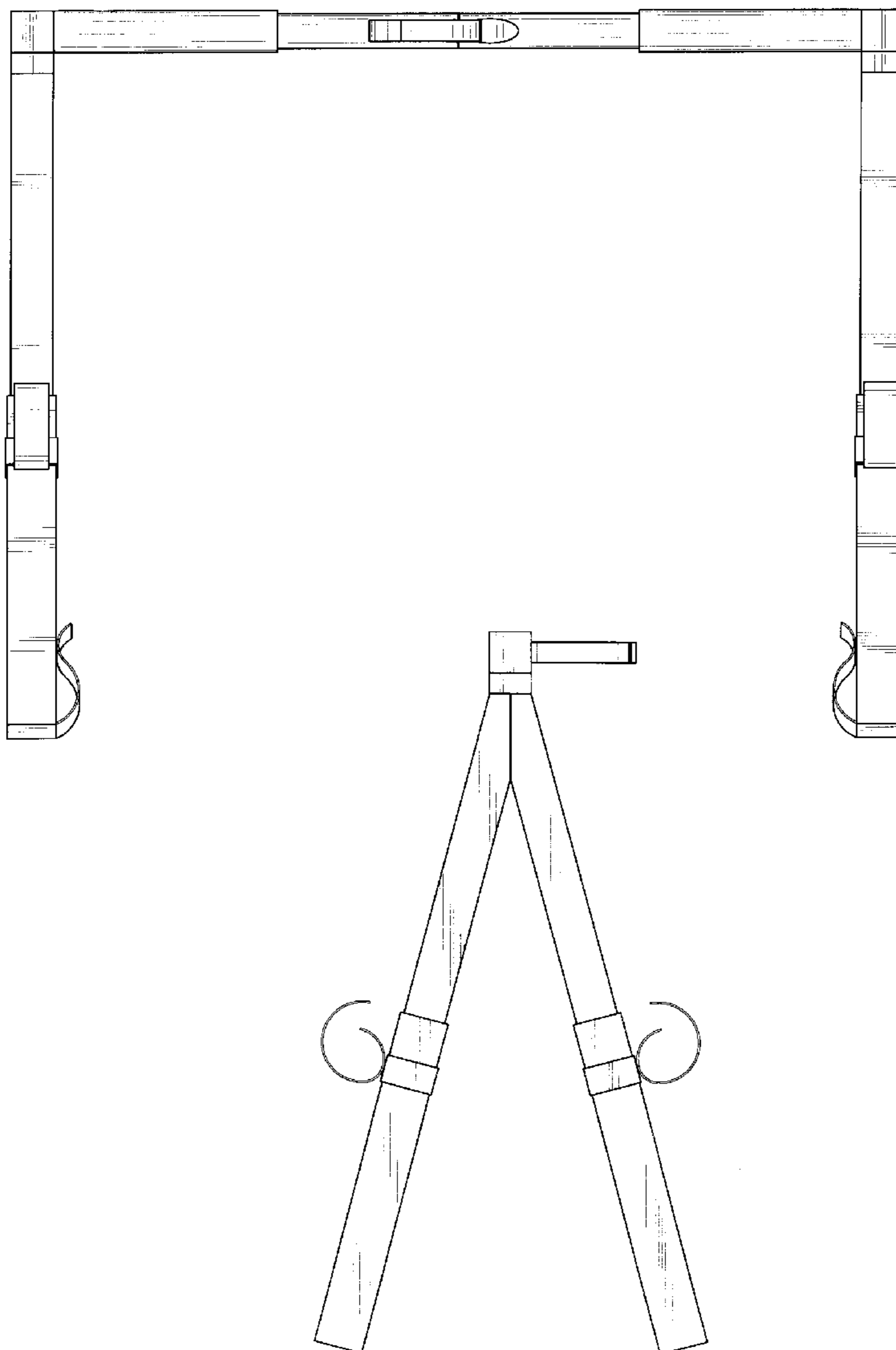


FIG. 1

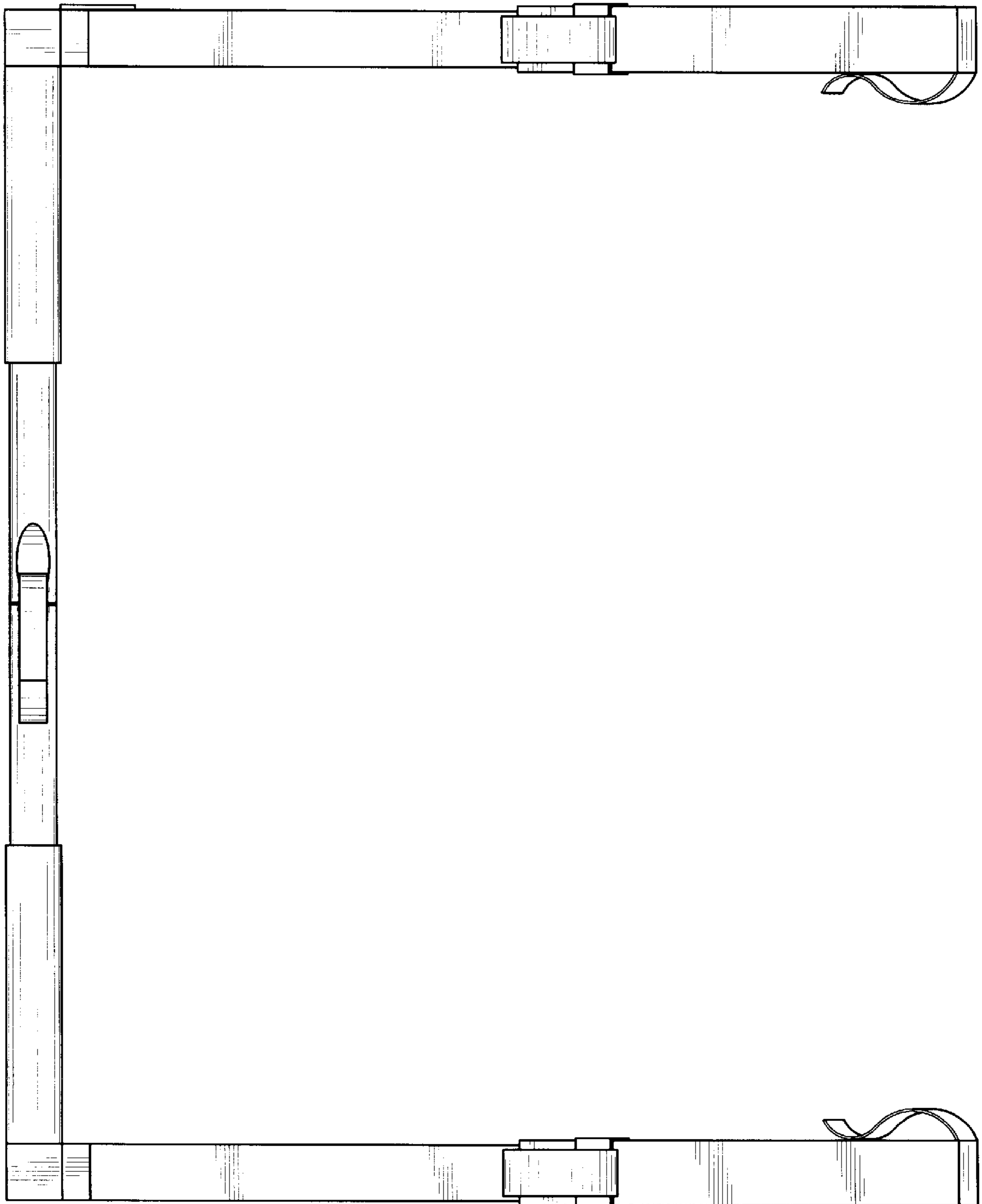


FIG. 2

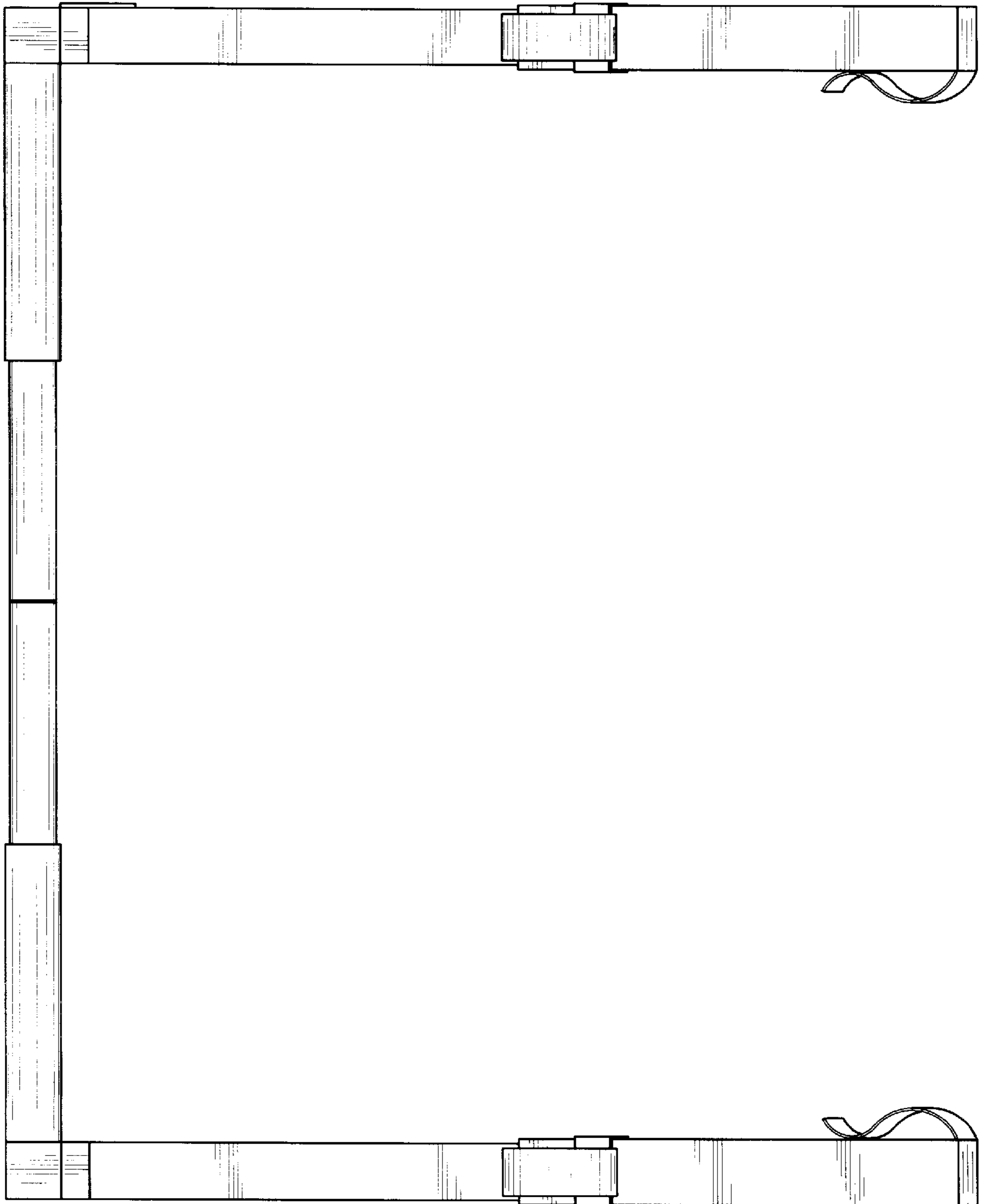


FIG. 3

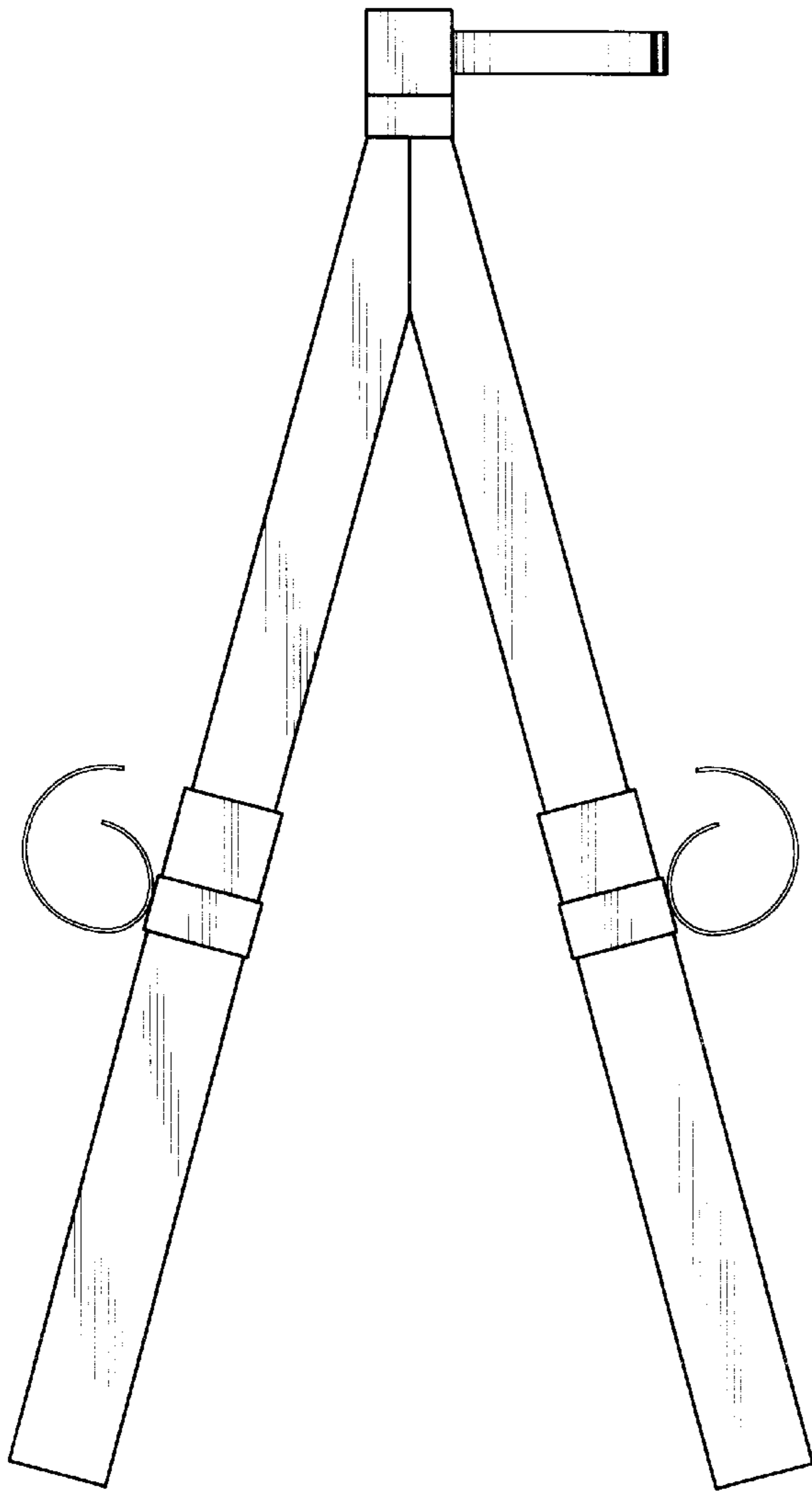
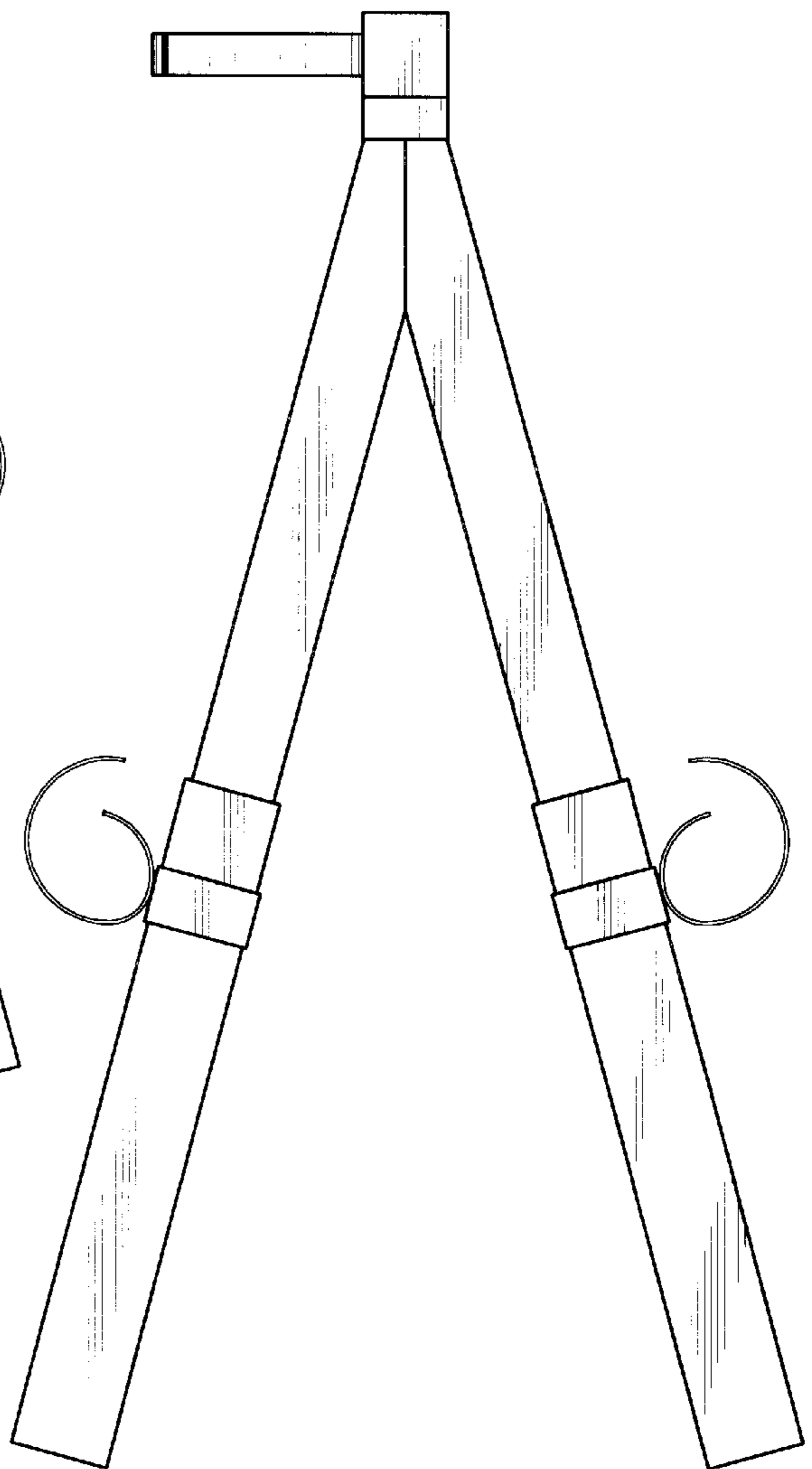


FIG. 4



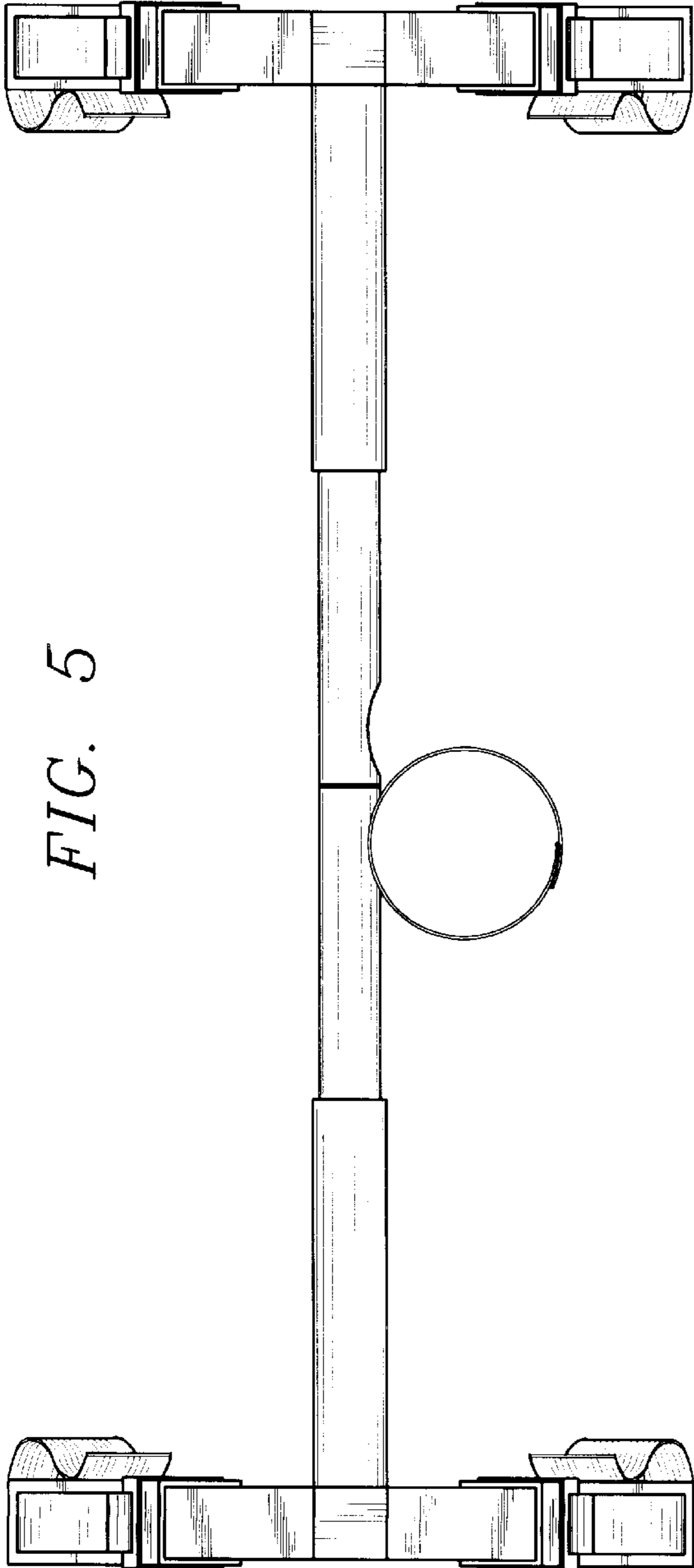


FIG. 5

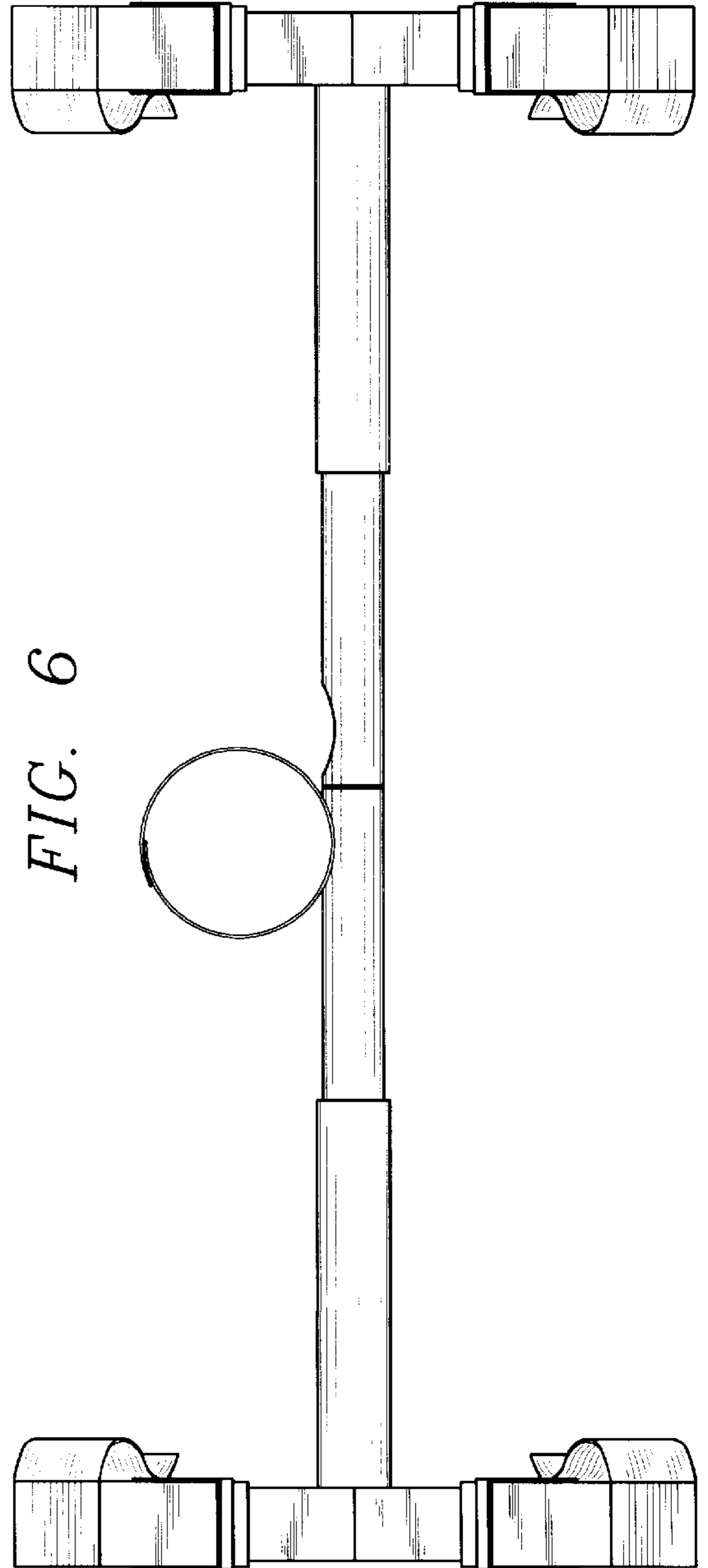


FIG. 6