



US00D403416S

United States Patent [19]

Shelton et al.

[11] Patent Number: **Des. 403,416**

[45] Date of Patent: ****Dec. 29, 1998**

[54] **AIR FILTER WITH TOP FILTERING AREA AND TAPERED SIDEWALL FILTERING AREA**

4,605,426 8/1986 Thornburgh 55/498
4,714,486 12/1987 Silverthorn 55/521

[75] Inventors: **Nathan E. Shelton**, Riverside, Calif.;
Duncan Bickerton, Warrington, England

Primary Examiner—Lisa Lichtenstein
Attorney, Agent, or Firm—John E. Wagner

[73] Assignee: **K & N Engineering, Inc.**, Riverside, Calif.

[57] **CLAIM**

The ornamental design for an air filter with top filtering area and tapered sidewall filtering area, as shown and described.

[**] Term: **14 Years**

DESCRIPTION

[21] Appl. No.: **79,285**

FIG. 1 is a side elevational view of an air filter with top filtering area and tapered sidewall filtering area showing our new design, the other sides being identical to that shown;

[22] Filed: **Nov. 12, 1997**

FIG. 2 is a top plan view;

[51] **LOC (6) Cl.** **23-04**

FIG. 3 is a bottom perspective view;

[52] **U.S. Cl.** **D23/365**

FIG. 4 is a fragmentary sectional view taken along line 4—4 of FIG. 2; and,

[58] **Field of Search** D23/365, 355;
55/498, 510, 521; 210/493.1, 493.2, 493.5

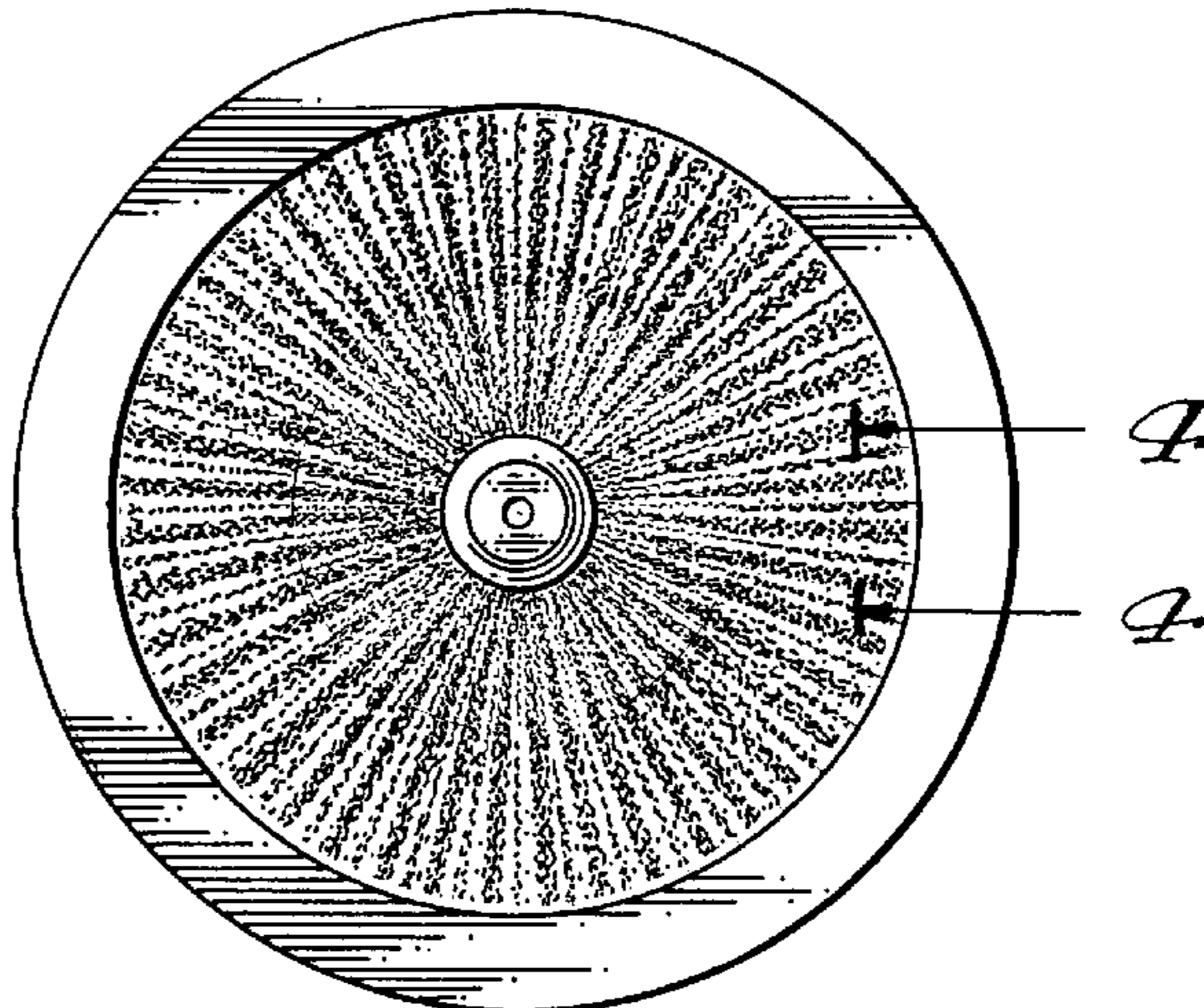
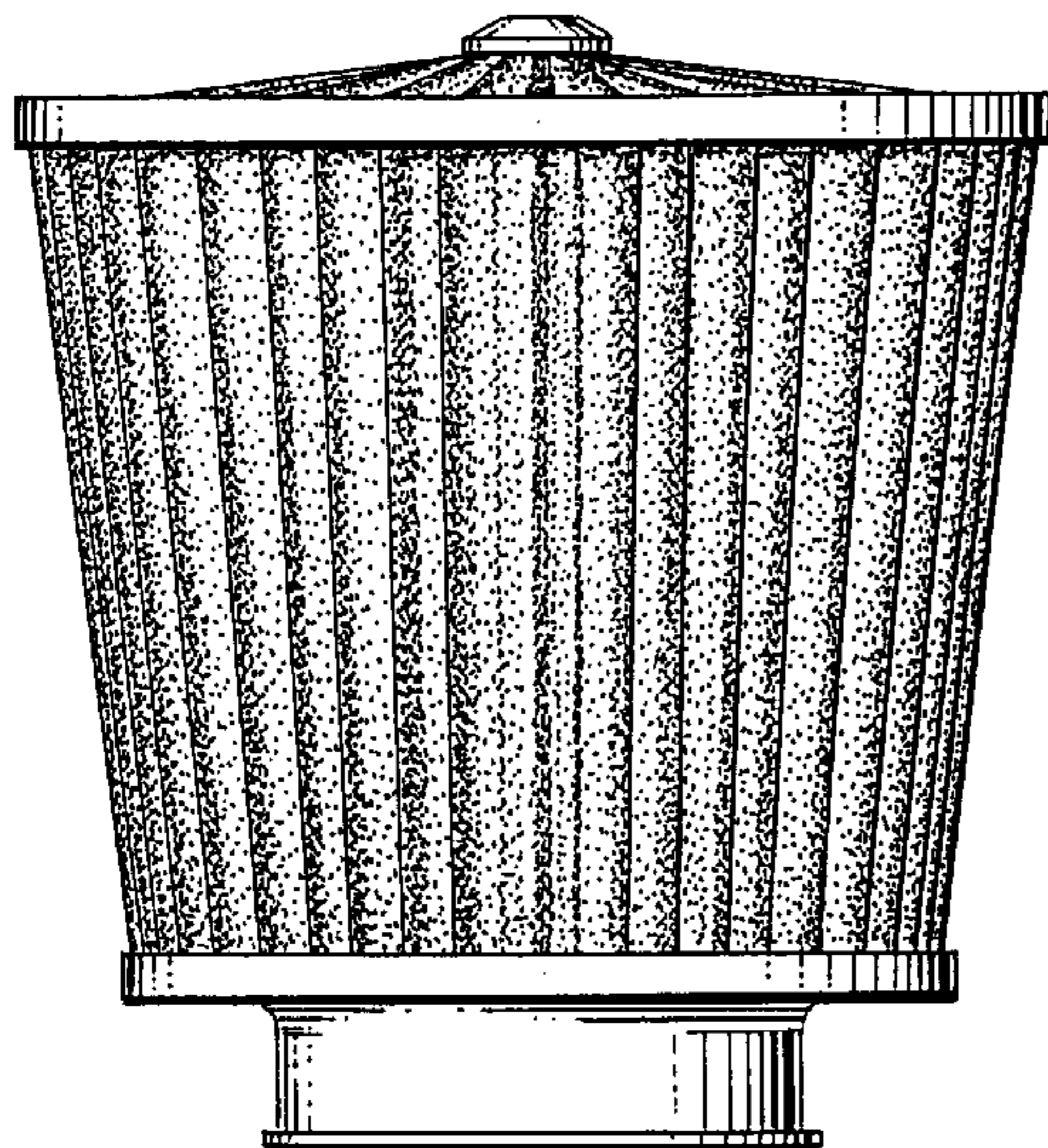
FIG. 5 is an enlarged fragmentary perspective view showing details of the pleats.

[56] **References Cited**

U.S. PATENT DOCUMENTS

3,448,862 6/1969 Fudlaty 210/493.1

1 Claim, 2 Drawing Sheets



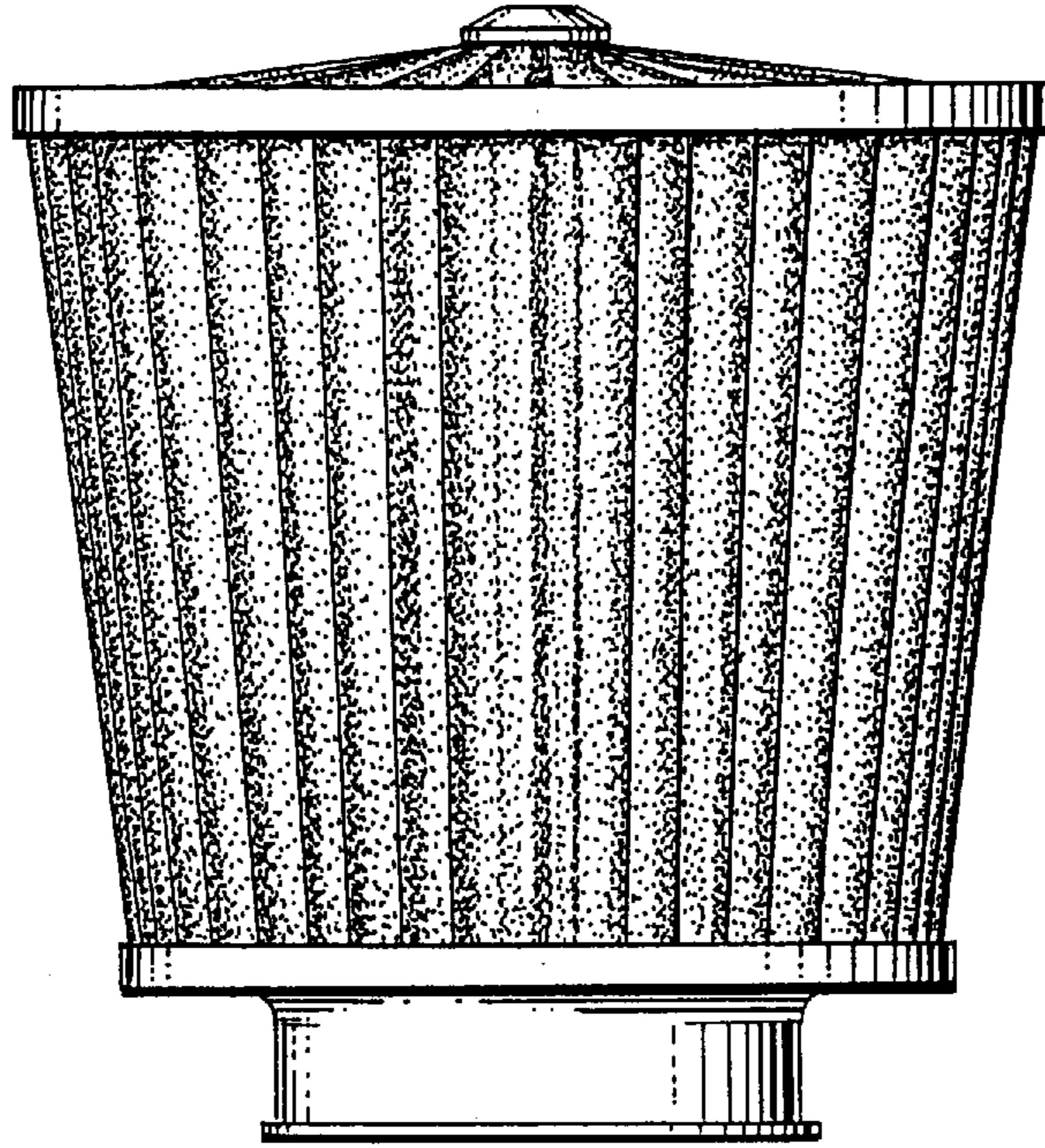


FIG. 1

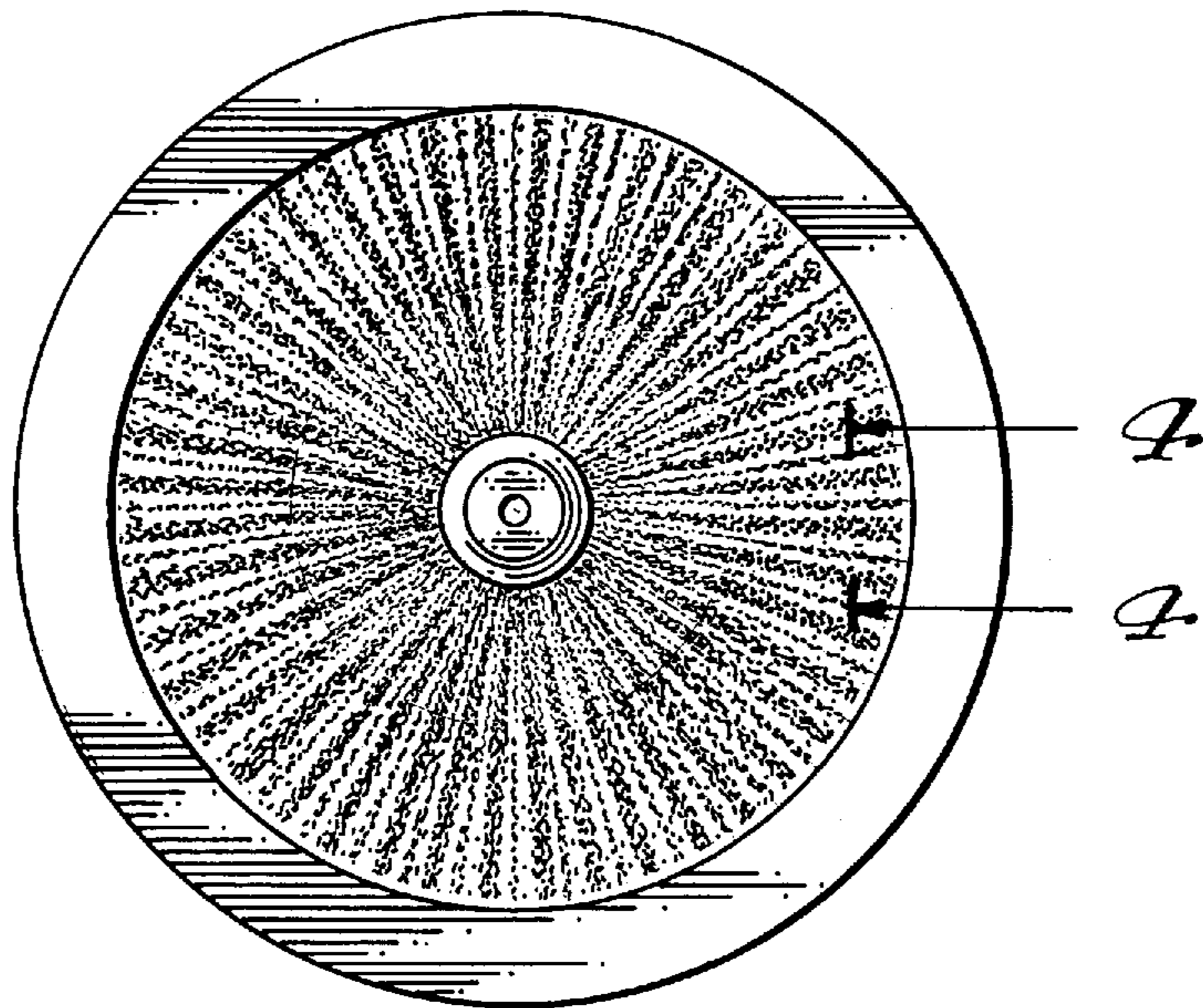


FIG. 2

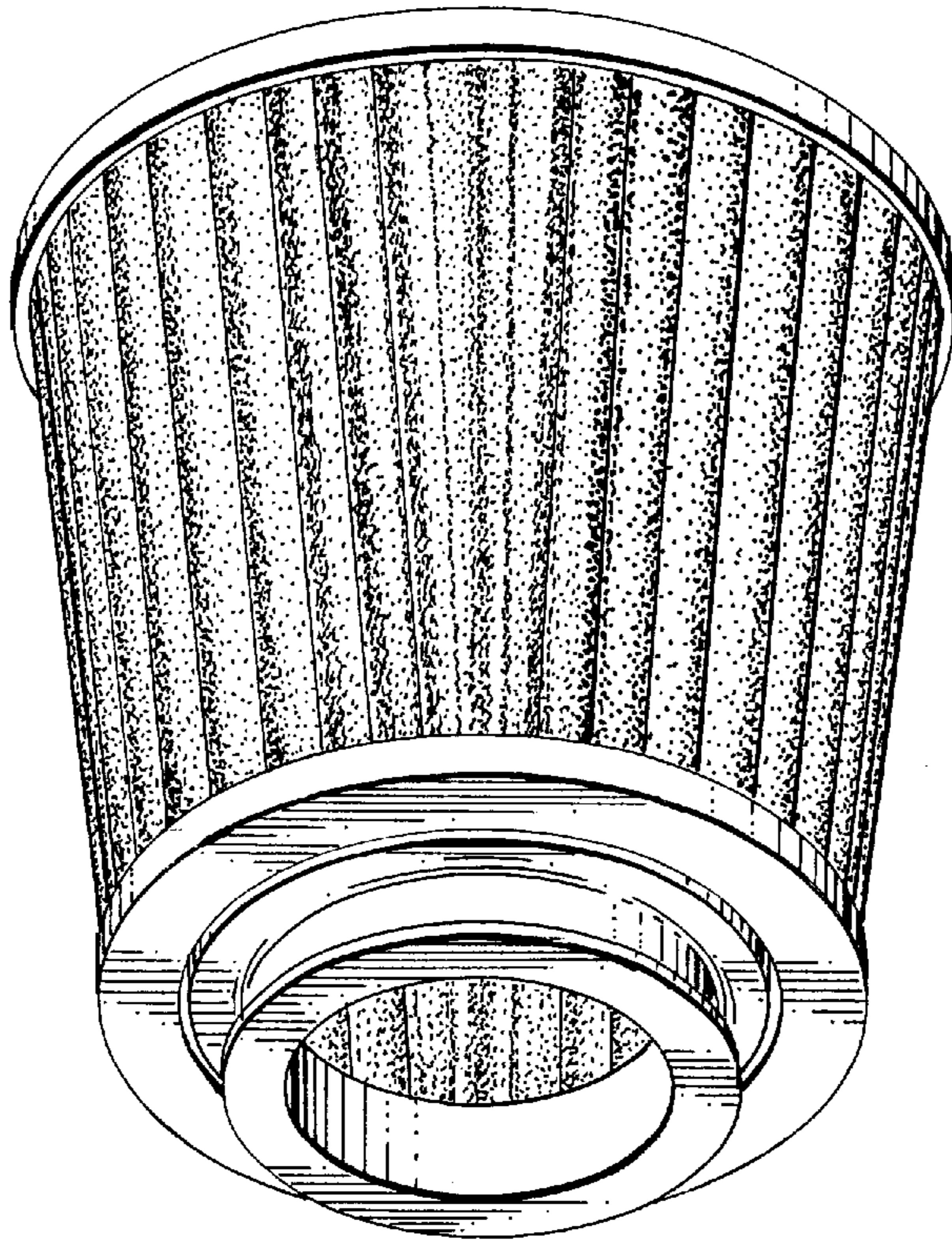


FIG. 3

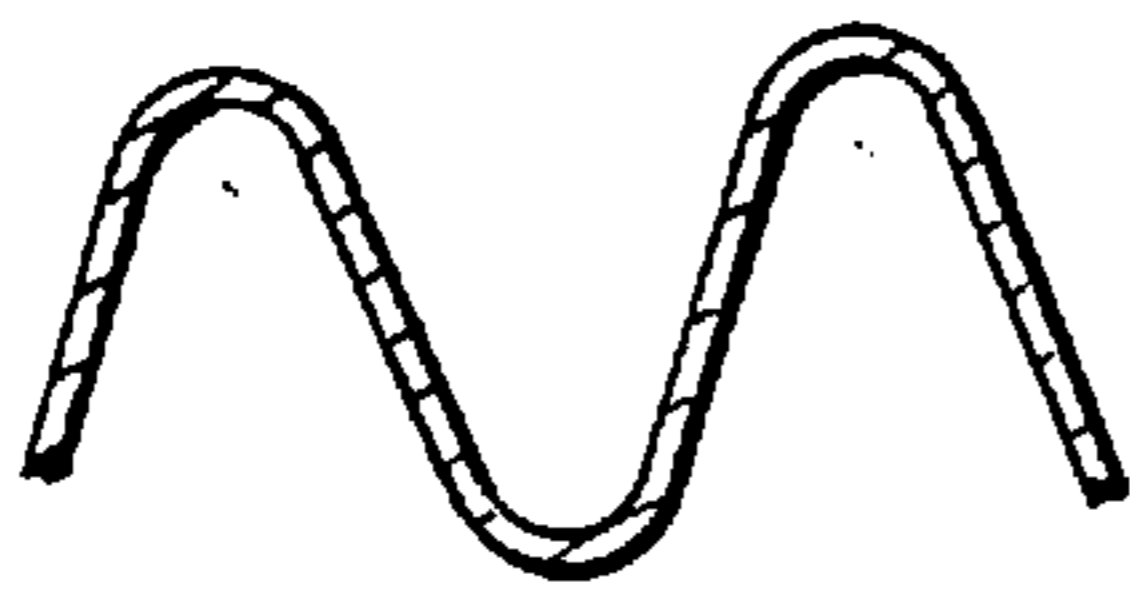


FIG. 4

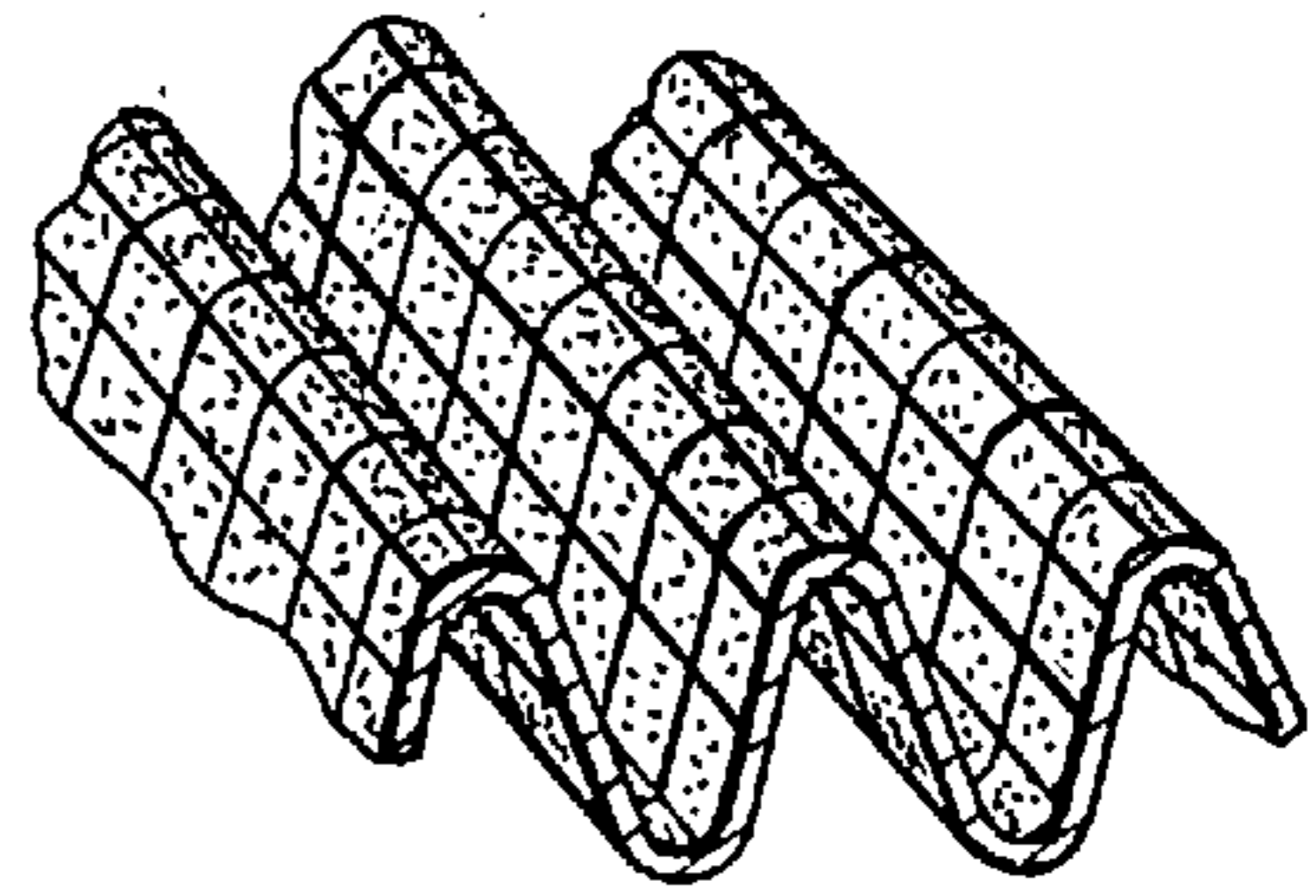


FIG. 5