



US00D403412S

United States Patent [19]

McMahon et al.

[11] **Patent Number: Des. 403,412**

[45] **Date of Patent: **Dec. 29, 1998**

[54] **PIPE AND DUCT FORMING MEMBER**

[76] Inventors: **Michael John McMahon**, 24 Garden Avenue Uunderi; **Gregory Allan Newsome**, Reserve Creek Road, Reserve Creek, both of Via Murwillumbah, New South Wales 2484, Australia

[**] Term: **14 Years**

[21] Appl. No.: **61,495**

[22] Filed: **Oct. 24, 1996**

[30] **Foreign Application Priority Data**

Apr. 27, 1996 [AU] Australia 1227/96

[51] **LOC (6) Cl.** **23-01**

[52] **U.S. Cl.** **D23/266**

[58] **Field of Search** D23/266, 393, D23/394; D25/119, 121, 164; 285/373, 419; 138/162, 128, 155, 156, 157, 166, 177, DIG. 11

[56] **References Cited**

U.S. PATENT DOCUMENTS

D. 254,802 4/1980 Hayes D23/262
742,453 10/1903 Lake 138/157
1,234,609 7/1917 Bernard 138/157 X
1,900,978 3/1933 De La Mare 138/151 X

2,013,242 9/1935 Johns 138/128 X
2,867,143 1/1959 Appleton D23/262 X
4,314,775 2/1982 Johnson 405/155
4,460,540 7/1984 Funk et al. 138/149 X
4,967,800 11/1990 Heilmayr et al. 138/162
5,007,666 4/1991 Kyfes 285/373
5,215,126 6/1993 Clark 138/149

FOREIGN PATENT DOCUMENTS

AU-B-
83848/91 5/1994 Australia .
P/00/001 8/1994 Australia .
403 4/1853 United Kingdom 138/157

Primary Examiner—Ted Shooman
Assistant Examiner—C. Tuttle
Attorney, Agent, or Firm—Gerald R. Boss; Roger S. Williams; Troutman Sanders LLP

[57] **CLAIM**

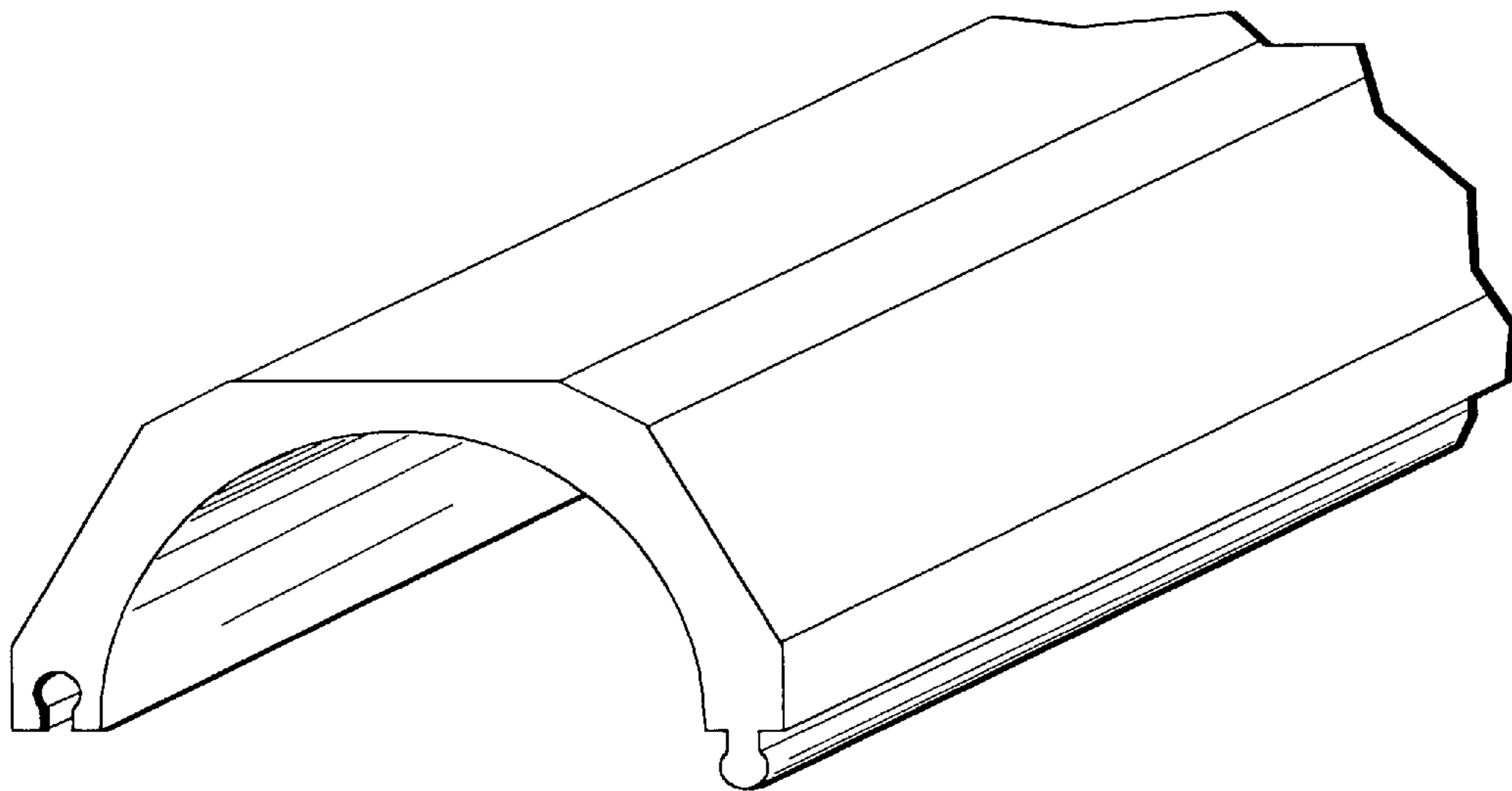
The ornamental design for pipe and duct forming member, as shown and described.

DESCRIPTION

FIG. 1 is a perspective view of the pipe and duct forming member; and,
FIG. 2 is a cross sectional view taken along line 2—2 of FIG. 1.

The pipe and duct forming member is shown partially broken away in FIG. 1 to indicate indeterminate length.

1 Claim, 1 Drawing Sheet



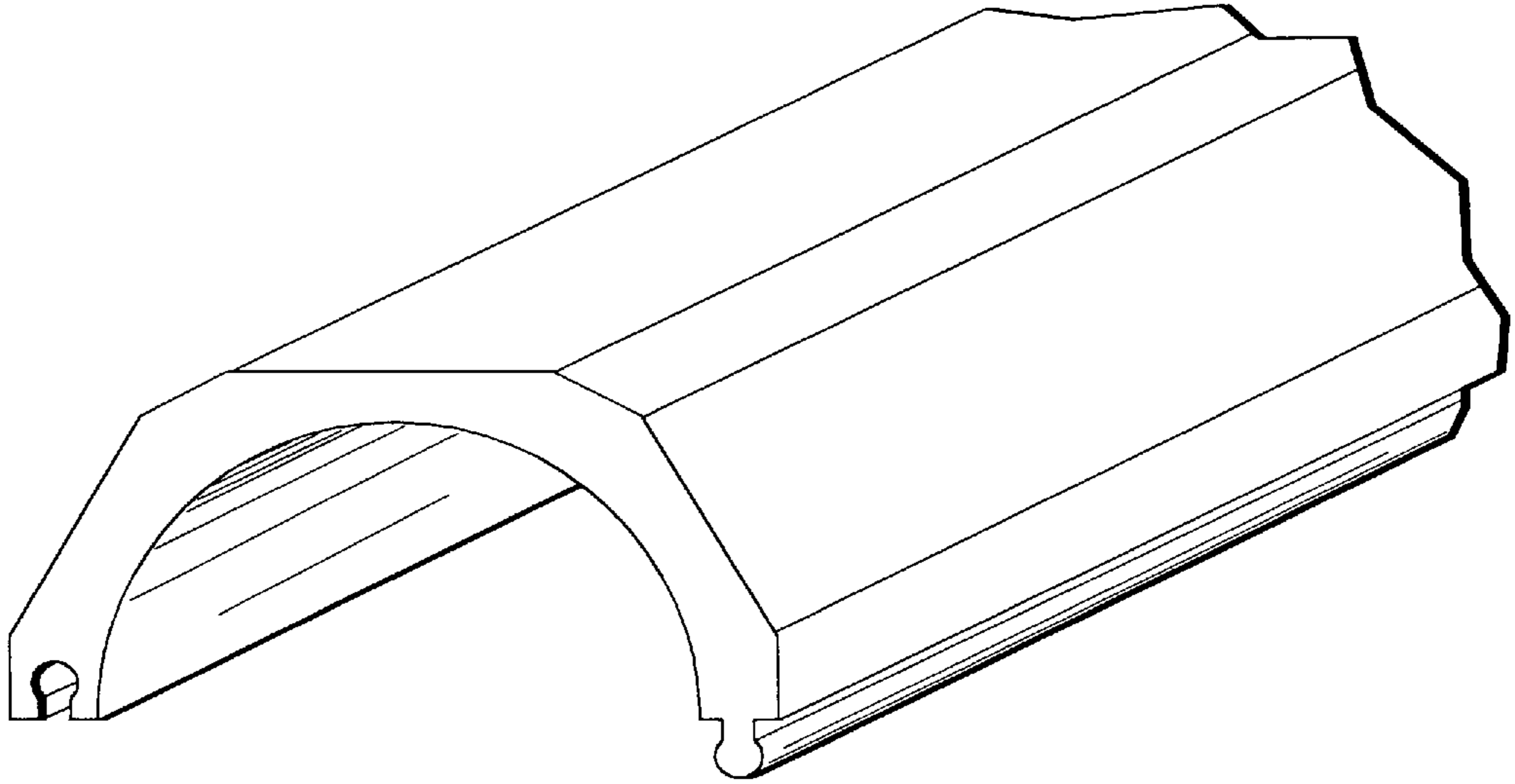


FIG. 1

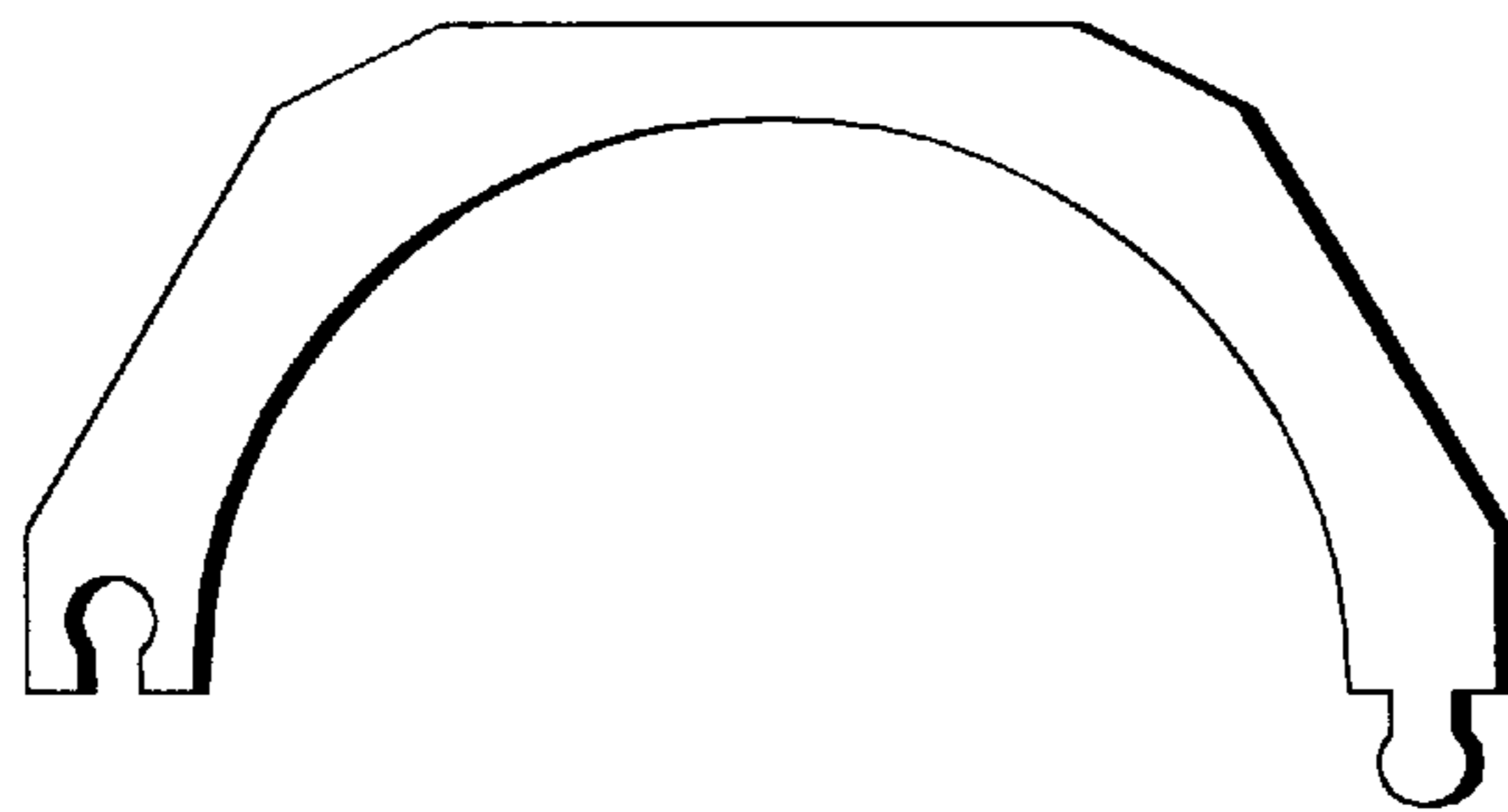


FIG. 2