



US00D403409S

United States Patent [19]

Dean et al.

[11] **Patent Number: Des. 403,409**

[45] **Date of Patent: **Dec. 29, 1998**

[54] **SEISMICALLY TRIGGERED VALVE**

5,454,393 10/1995 Crain 137/38
5,595,207 1/1997 Jiles 137/38

[76] Inventors: **Dale Dean**, 900 S. Victory Blvd.,
Burbank, Calif. 91502; **Ralph R.
Swenson**, P.O. Box 1249, Coulterville,
Calif. 95311

Primary Examiner—Alan P. Douglas
Assistant Examiner—Robin V. Taylor
Attorney, Agent, or Firm—James B. Middleton

[**] Term: **14 Years**

[57] CLAIM

[21] Appl. No.: **78,059**

The ornamental design for a seismically triggered valve, as shown and described.

[22] Filed: **Oct. 17, 1997**

DESCRIPTION

[51] **LOC (6) Cl.** **23-01**

[52] **U.S. Cl.** **D23/233**

[58] **Field of Search** D23/233, 235,
D23/245, 247, 248; 137/38, 188, 315.08

FIG. 1 is perspective view of a seismically triggered valve embodying our new design, and showing the front, left end and top thereof;

FIG. 2 is a right end elevational view thereof;

FIG. 3 is a left end elevational view thereof;

FIG. 4 is a rear elevational view thereof; and,

FIG. 5 is a bottom plan view thereof.

[56] References Cited

U.S. PATENT DOCUMENTS

D. 312,121 11/1990 Wozniak et al. D23/248
D. 345,006 3/1994 Gallagher et al. D23/245

1 Claim, 2 Drawing Sheets

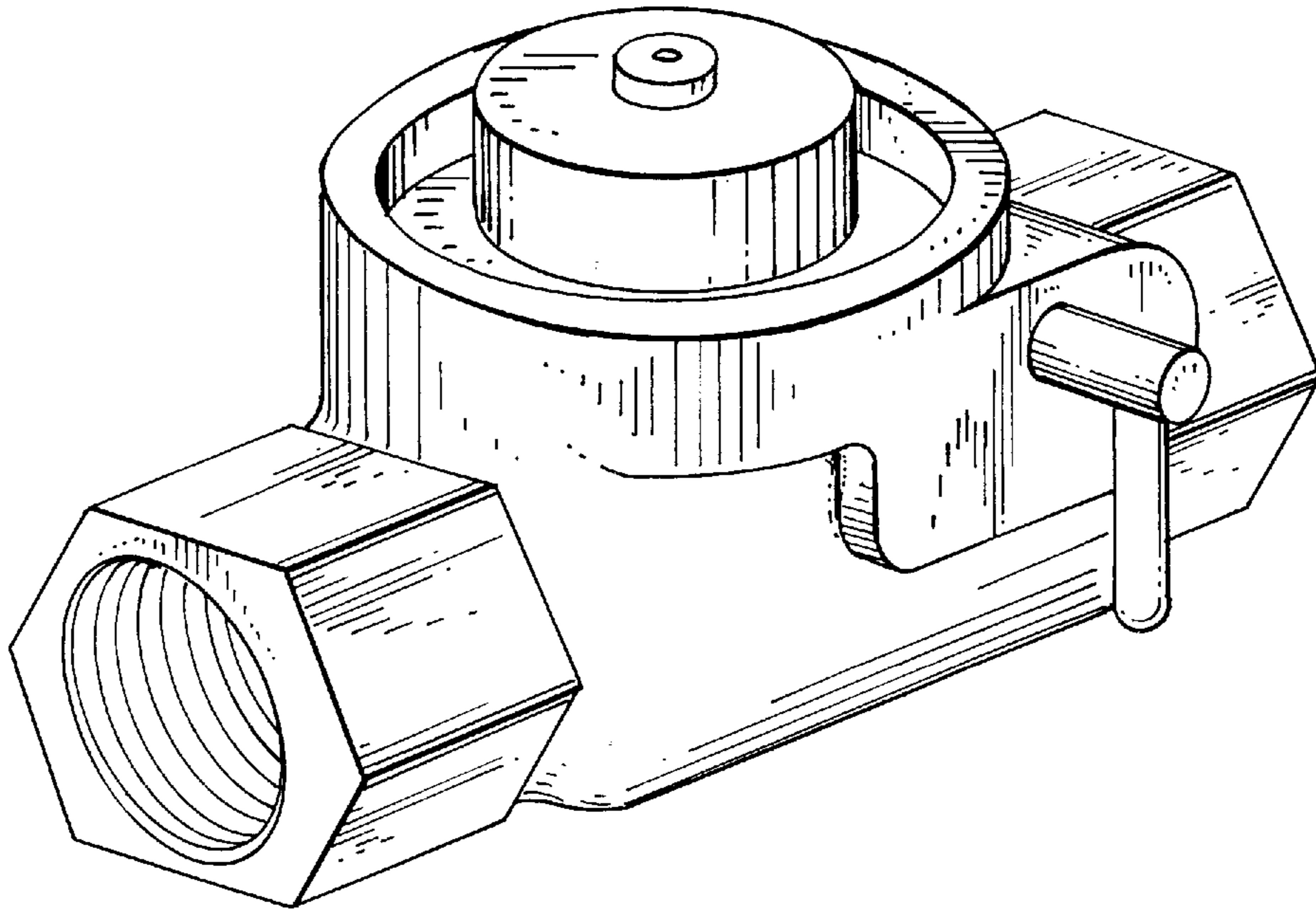


Fig. 1

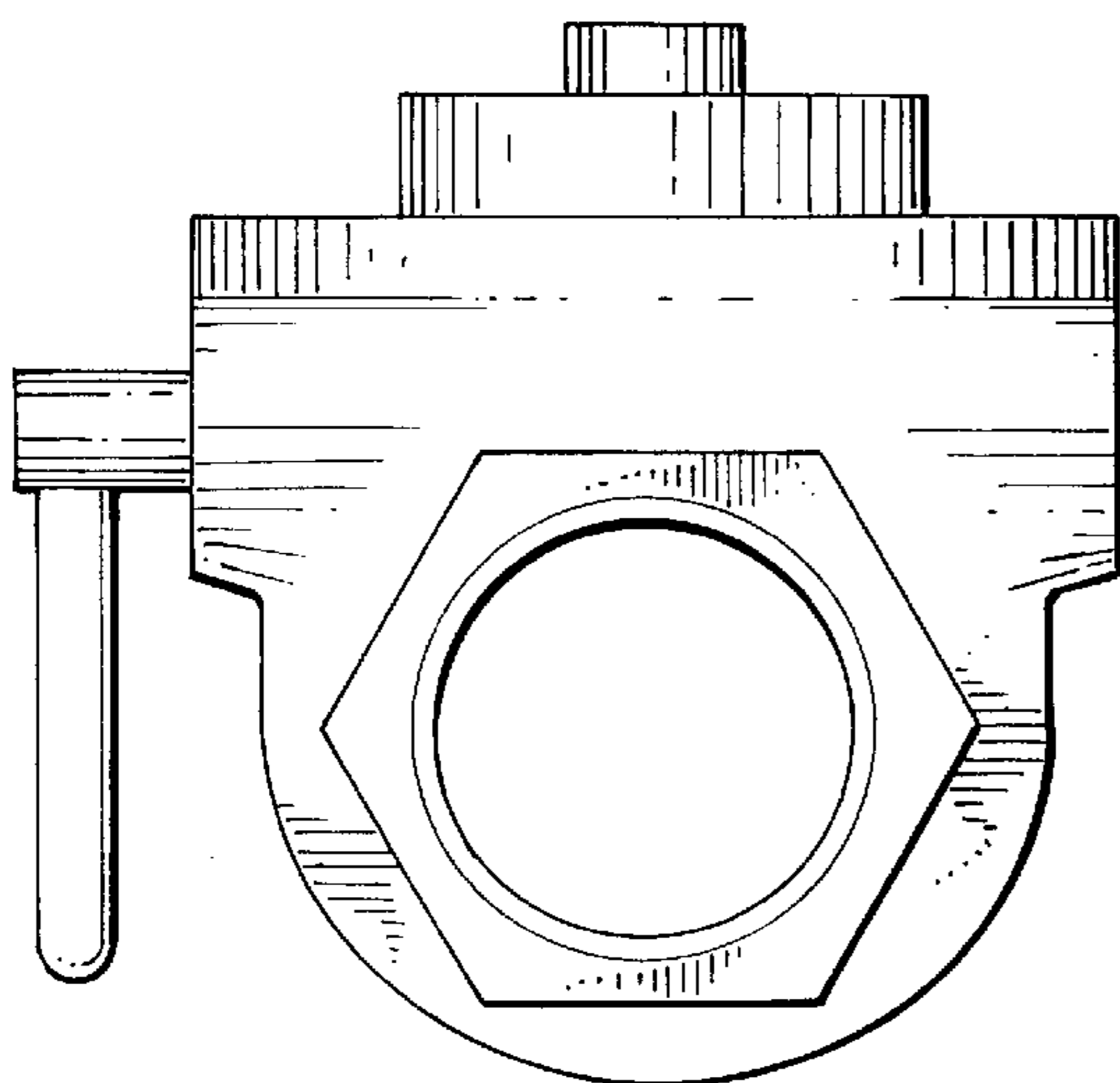
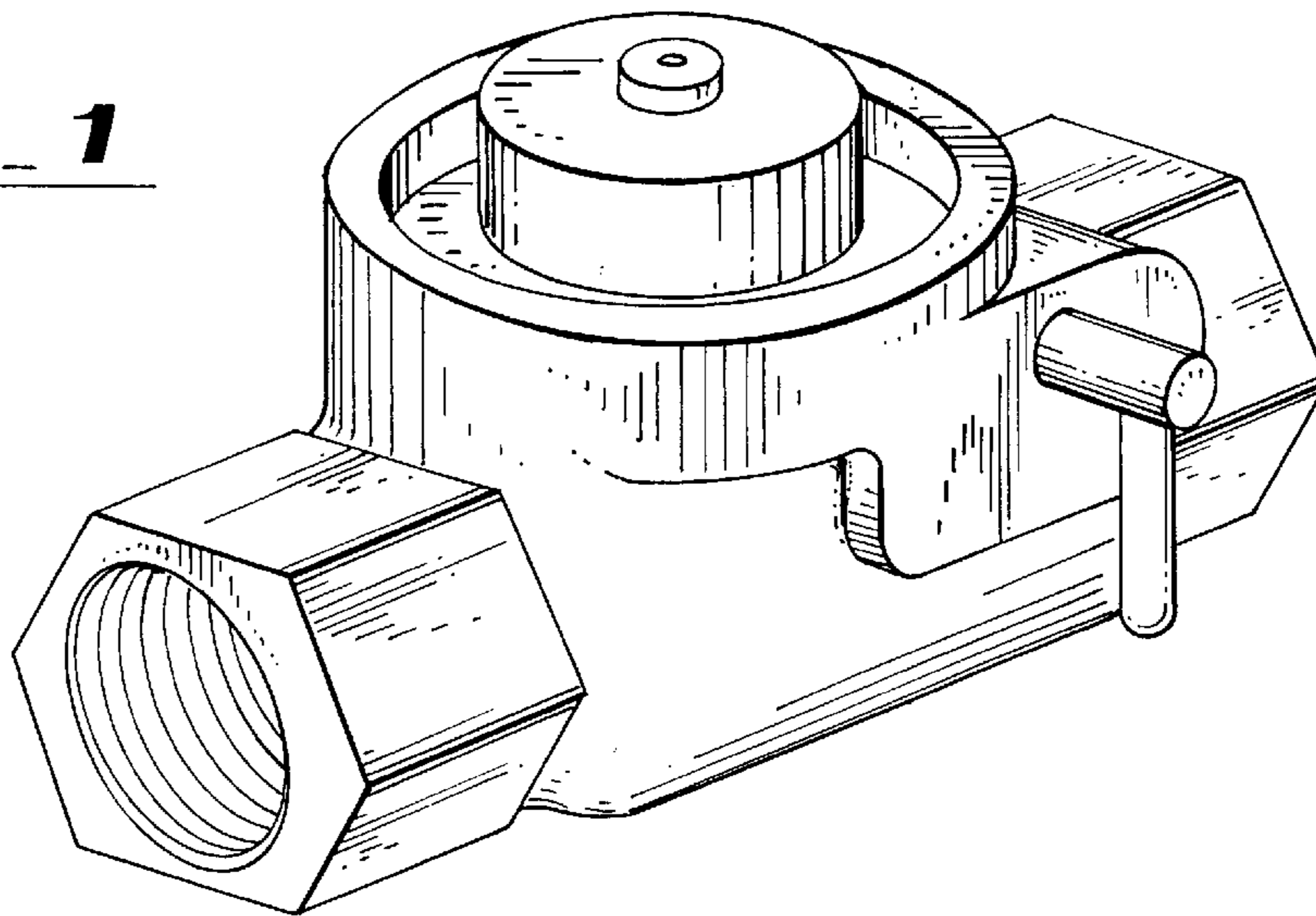


Fig. 2

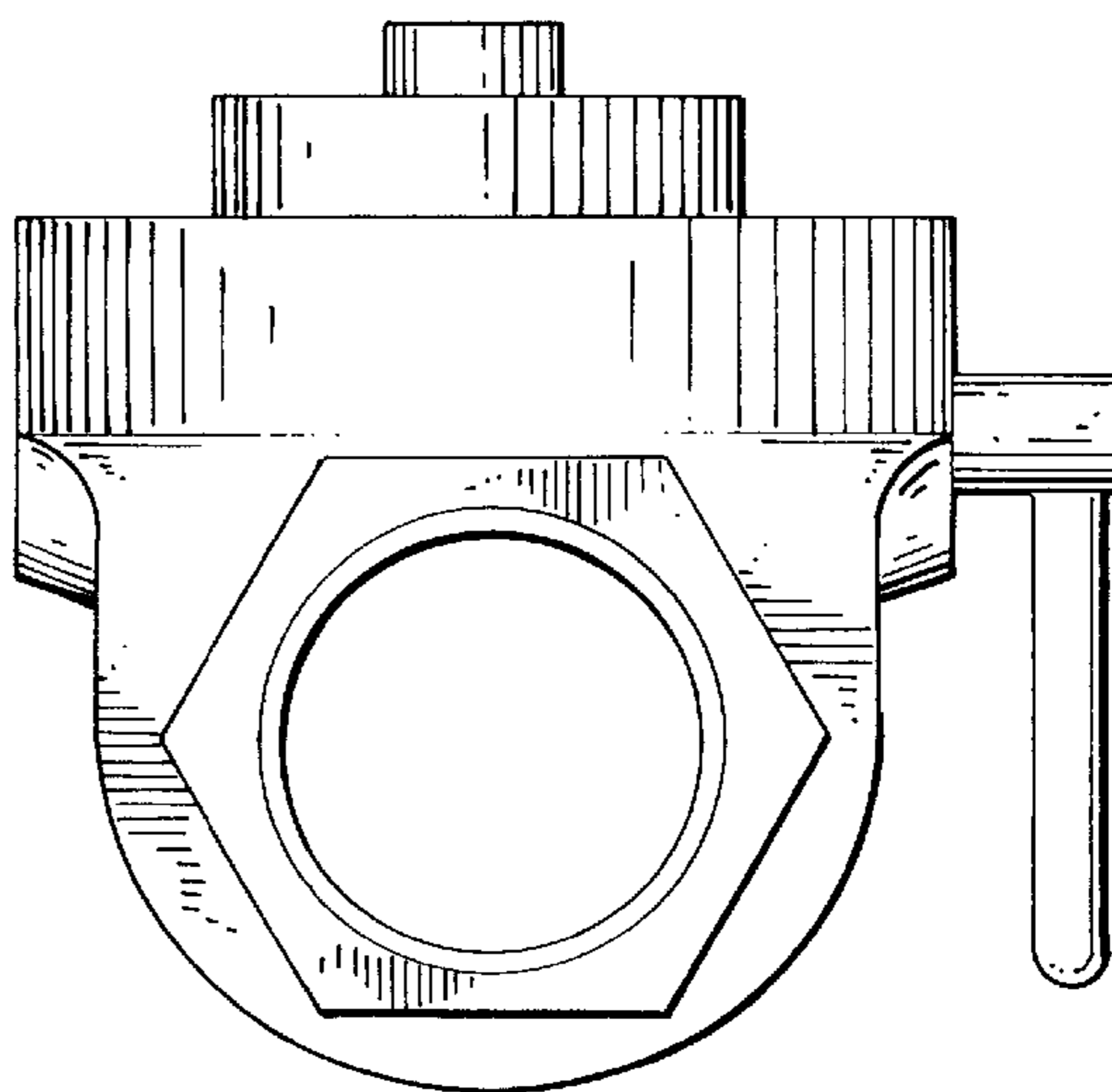


Fig. 3

Fig. 4

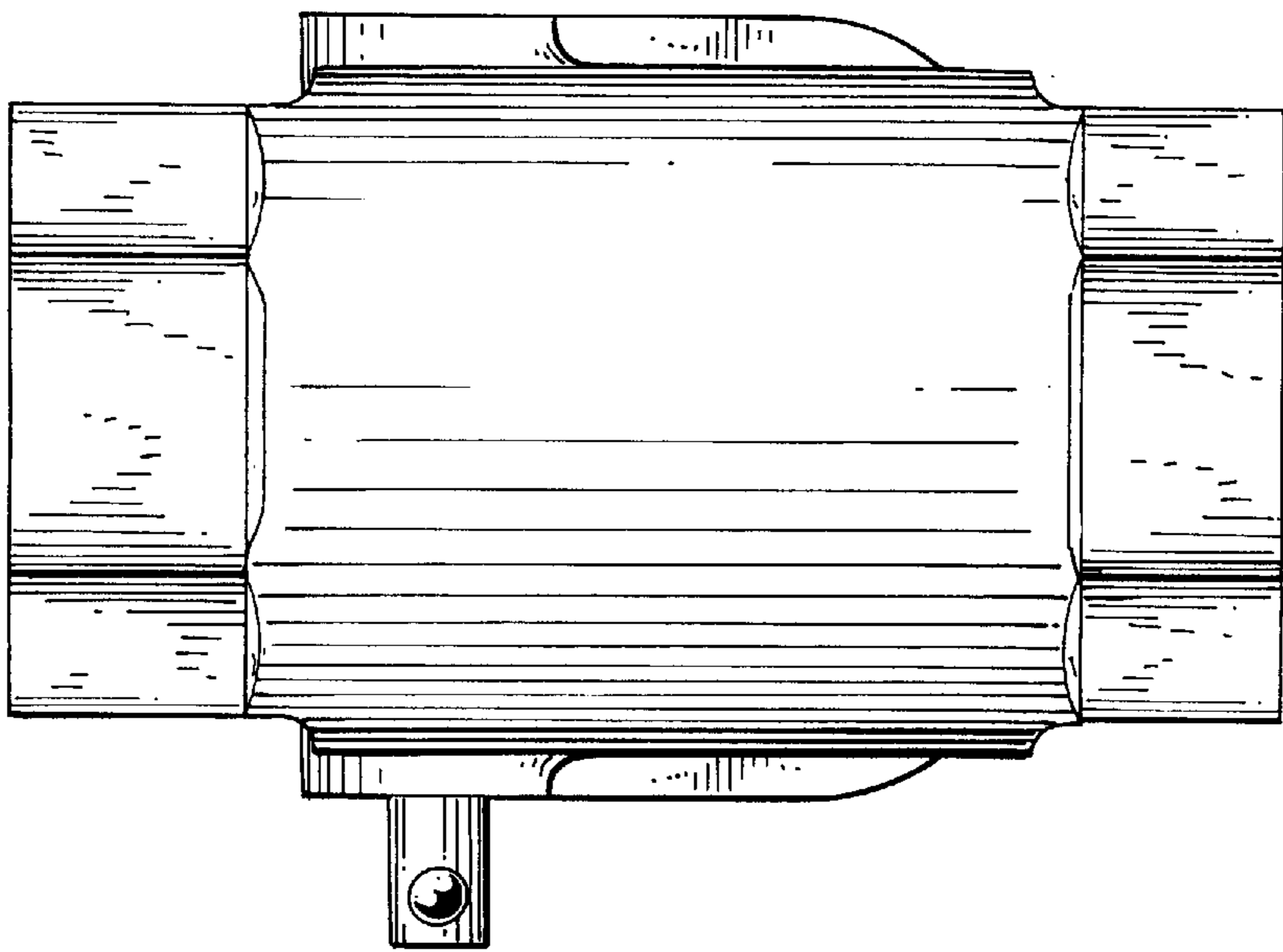
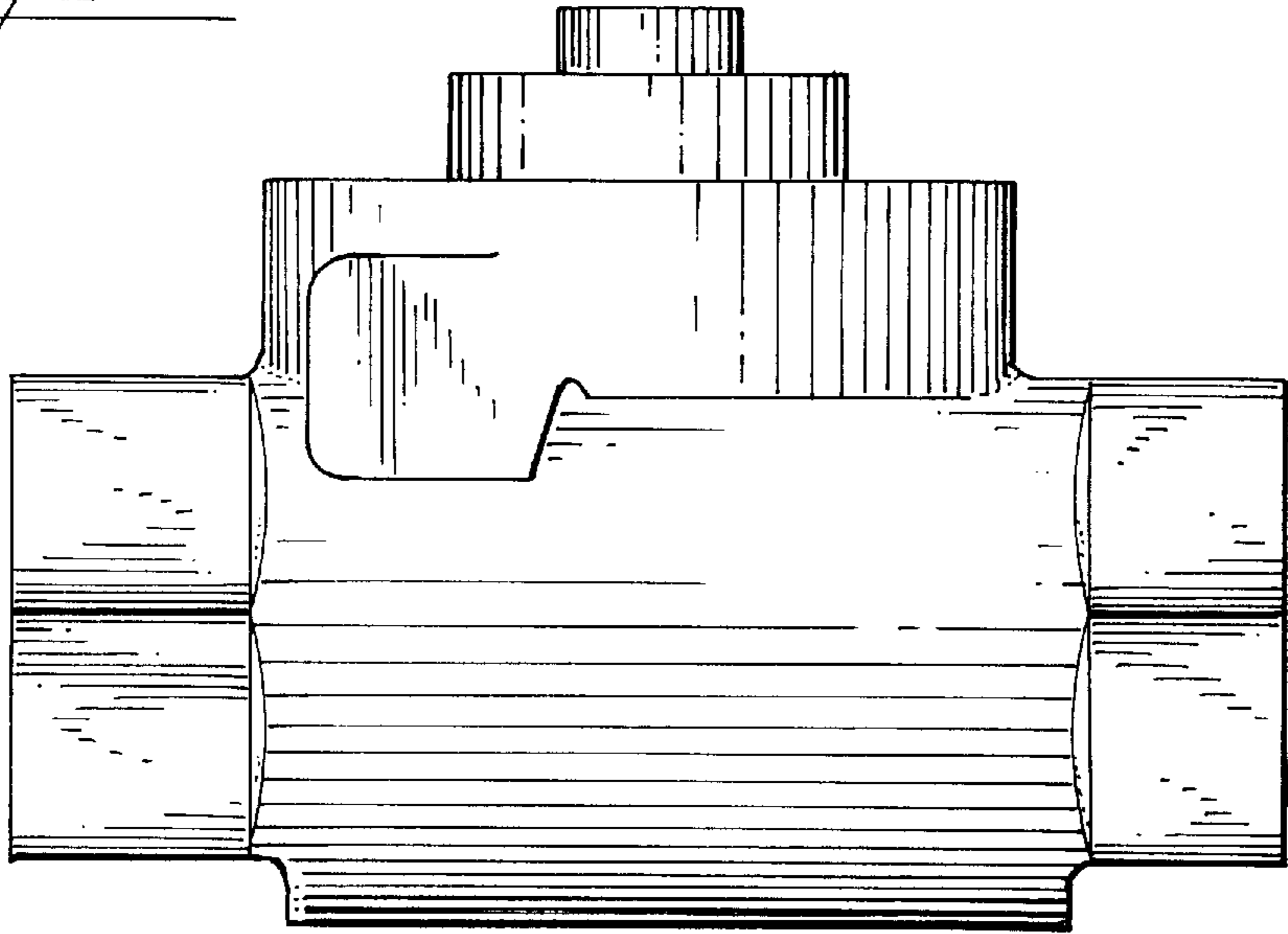


Fig. 5