



US00D403405S

United States Patent [19] Terwilliger

[11] **Patent Number: Des. 403,405**

[45] **Date of Patent: **Dec. 29, 1998**

[54] **BIOPSY NEEDLE SET**

[75] Inventor: **Richard A. Terwilliger**, Estes Park, Colo.

[73] Assignee: **Medical Device Technologies, Inc.**, Gainesville, Fla.

[**] Term: **14 Years**

[21] Appl. No.: **56,120**

[22] Filed: **Jun. 24, 1996**

[51] **LOC (6) Cl. 24-02**

[52] **U.S. Cl. D24/130**

[58] **Field of Search** D24/112, 130, D24/146, 147, 114, 128; 128/751, 753, 754, 755; 248/121, 127; 604/165, 164, 158, 170, 263, 264, 265, 168, 167, 282, 192, 110, 197-198, 177

[56] **References Cited**

U.S. PATENT DOCUMENTS

D. 214,112 5/1969 Langdon D24/130

D. 320,456 10/1991 Grossman D24/130
D. 333,003 2/1993 Chettleburg D24/146
D. 347,688 6/1994 Adams D24/130
D. 369,858 5/1996 Baker et al. D24/112
5,356,385 10/1994 Latini 604/110
5,498,241 3/1996 Fabozzi 604/177

Primary Examiner—Pamela Burgess
Attorney, Agent, or Firm—Fliesler, Dubb, Meyer & Lovejoy

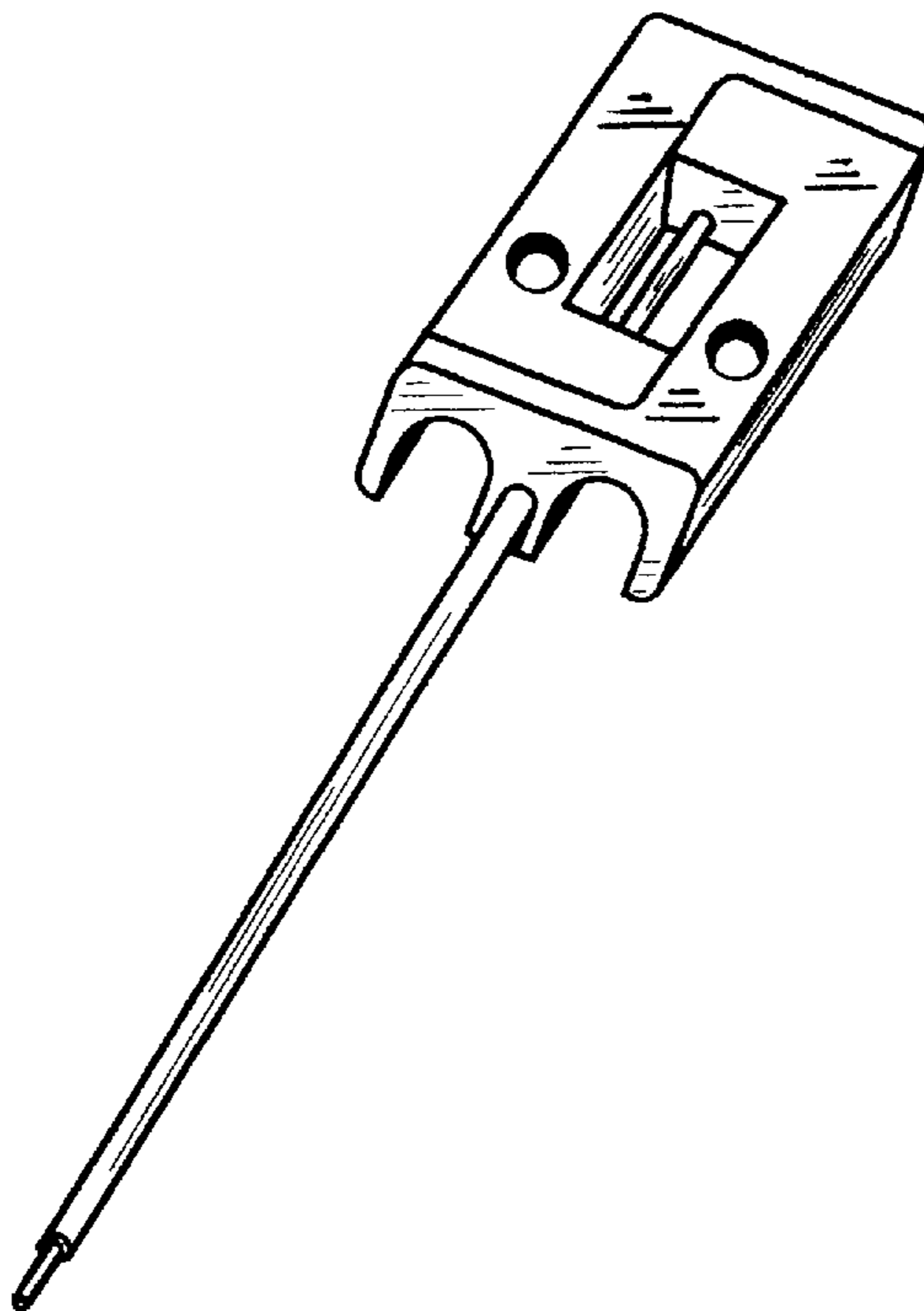
[57] **CLAIM**

The ornamental design for a biopsy needle set, as shown and described.

DESCRIPTION

FIG. 1 is a top perspective view of a biopsy needle set showing my new design;
FIG. 2 is a bottom perspective view thereof;
FIG. 3 is a top plan view thereof;
FIG. 4 is a left side elevational view thereof;
FIG. 5 is a right side elevational view thereof;
FIG. 6 is a bottom plan view thereof;
FIG. 7 is a right end view thereof; and,
FIG. 8 is a left end view thereof.

1 Claim, 3 Drawing Sheets



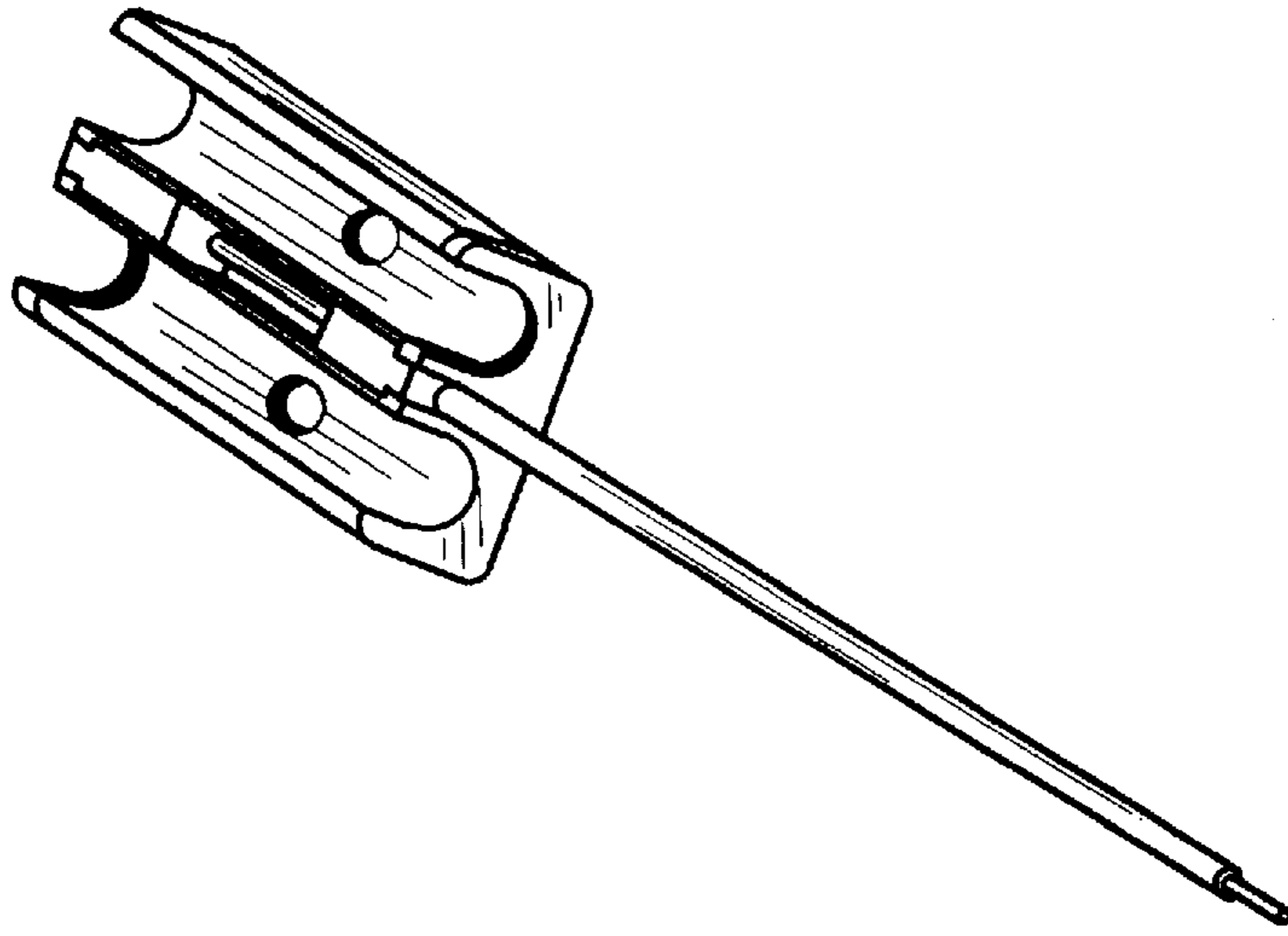


Fig. 2

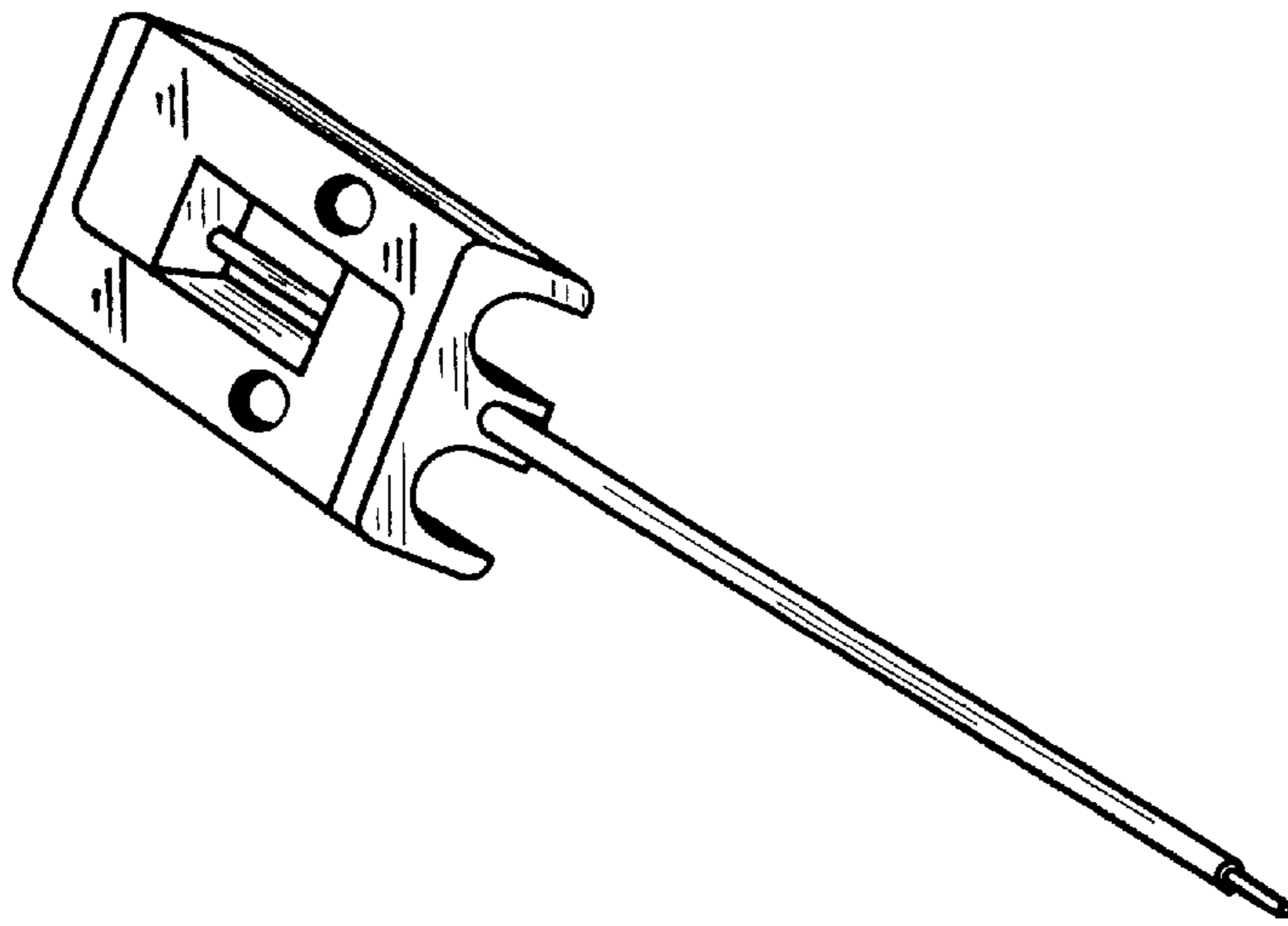


Fig. 1

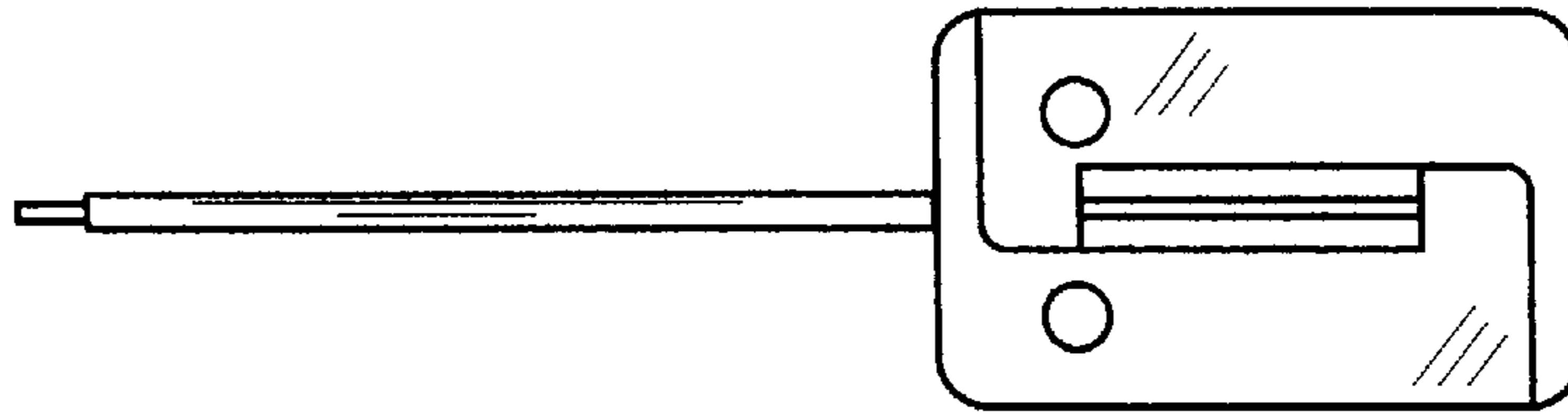


Fig. 3

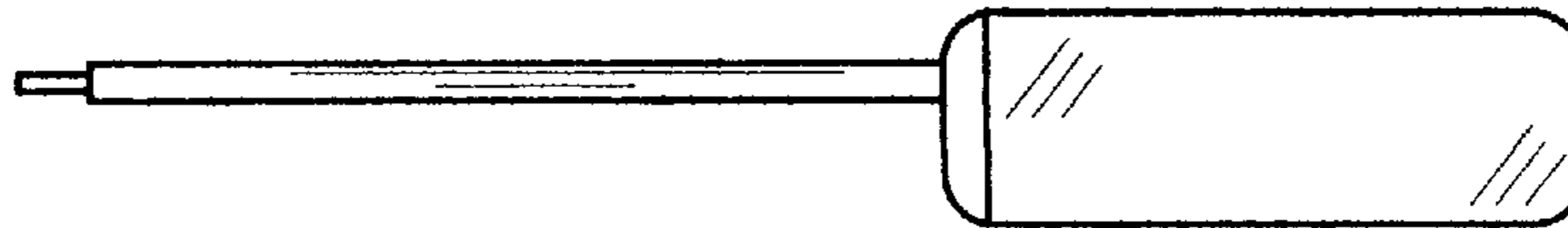


Fig. 4

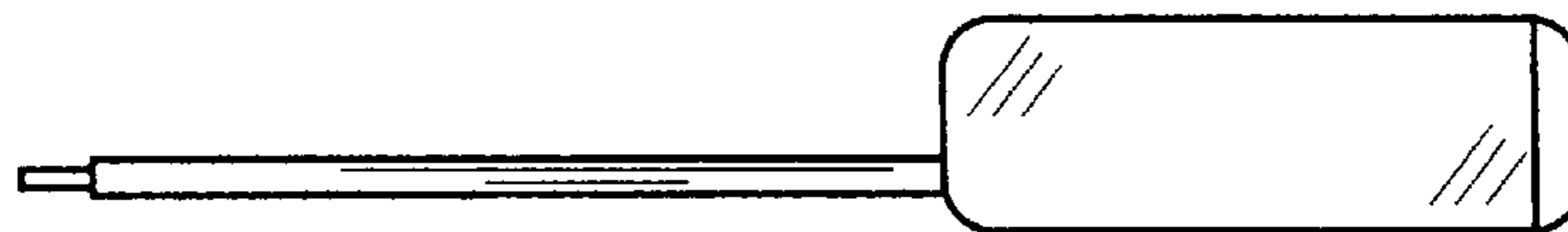


Fig. 5

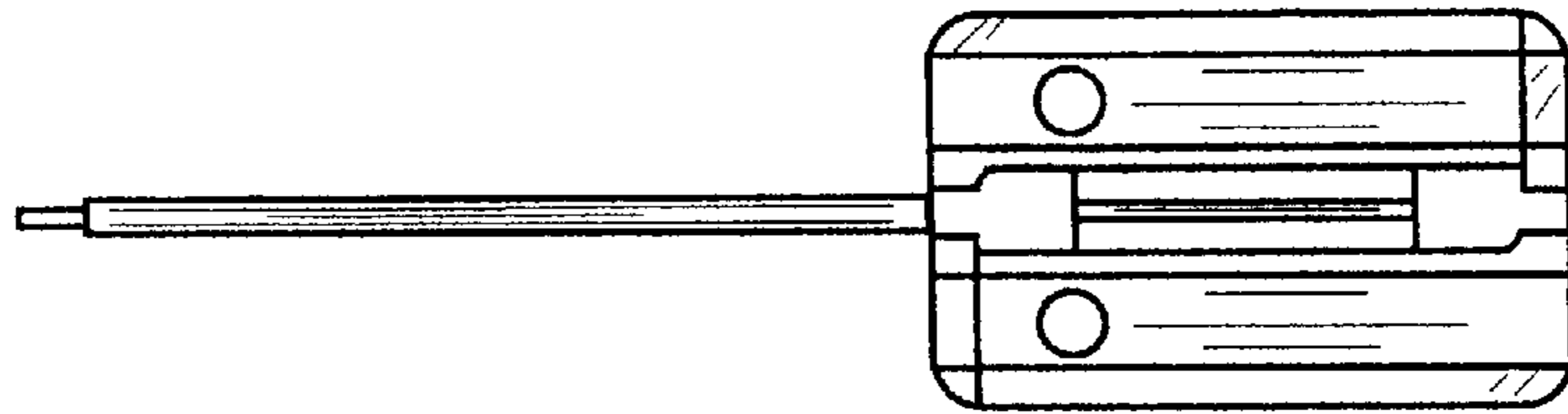


Fig. 6



Fig. 7



Fig. 8