



US00D403399S

United States Patent [19]
Montgomery et al.

[11] **Patent Number: Des. 403,399**

[45] **Date of Patent: **Dec. 29, 1998**

[54] **EYE DROP GUIDANCE DEVICE**

[76] Inventors: **Noel P. Montgomery; Joseph G. George**, both of 4009 Kent Ave., Metairie, La. 70006

[**] Term: **14 Years**

[21] Appl. No.: **64,694**

[22] Filed: **Jan. 9, 1997**

[51] **LOC (6) Cl. 24-02**

[52] **U.S. Cl. D24/120**

[58] **Field of Search** D24/120, 121, D24/119, 115, 110, 113; 604/294, 295, 296, 300, 301, 289, 297, 298, 302; D7/509, 536, 533, 507; D9/338, 447; D14/187, 188, 189, 191; 222/711; 128/845, 883-884

[56] **References Cited**

U.S. PATENT DOCUMENTS

- D. 153,847 5/1949 Bonilla D24/120
- D. 189,398 12/1960 Lewis .
- D. 223,704 5/1972 Cheladze .
- D. 283,772 5/1986 Vail D7/509
- D. 338,464 8/1993 Darby D14/187

- D. 370,257 5/1996 Christopher D24/120
- D. 371,937 7/1996 Peugeot et al. D7/536
- 2,767,711 10/1956 Ernst .
- 3,016,898 1/1962 Erwing .
- 4,125,218 11/1978 DeBoer .
- 4,733,802 3/1988 Sheldon 604/302
- 5,217,141 6/1993 Ross .
- 5,382,243 1/1995 Mulholland 604/301

Primary Examiner—Susan J. Lucas
Assistant Examiner—Cynthia F. Ramirez
Attorney, Agent, or Firm—Keaty & Keaty

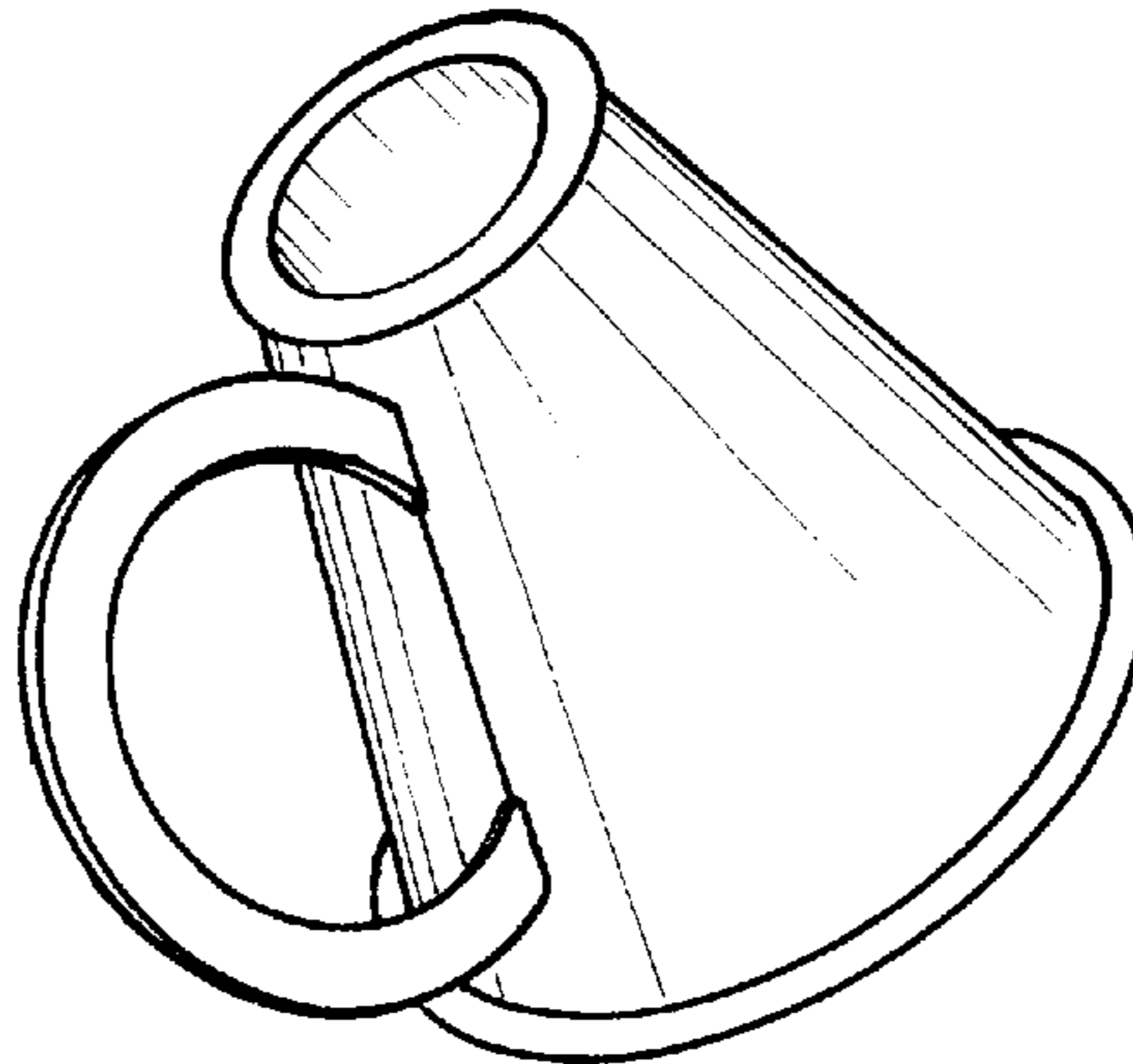
[57] **CLAIM**

The ornamental design for an eye drop guidance device, as shown and described.

DESCRIPTION

FIG. 1 is a front view of my new ornamental design for an eye drop guidance device;
FIG. 2 is a side view thereof. The opposite side is a mirror image of FIG. 2;
FIG. 3 is a rear view thereof;
FIG. 4 is a top view thereof;
FIG. 5 is a bottom view thereof; and,
FIG. 6 is a perspective view thereof.

1 Claim, 1 Drawing Sheet



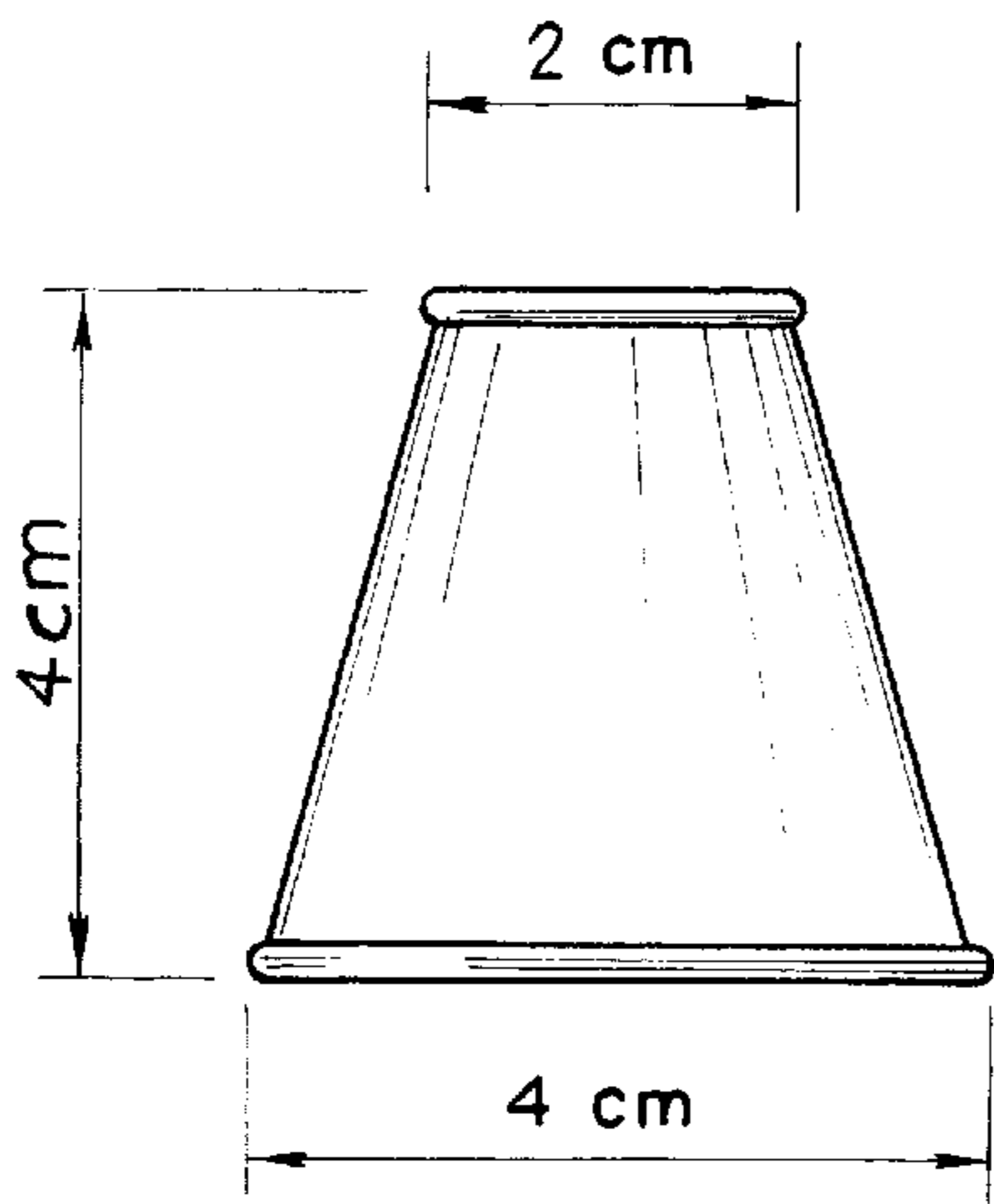


FIG. 1

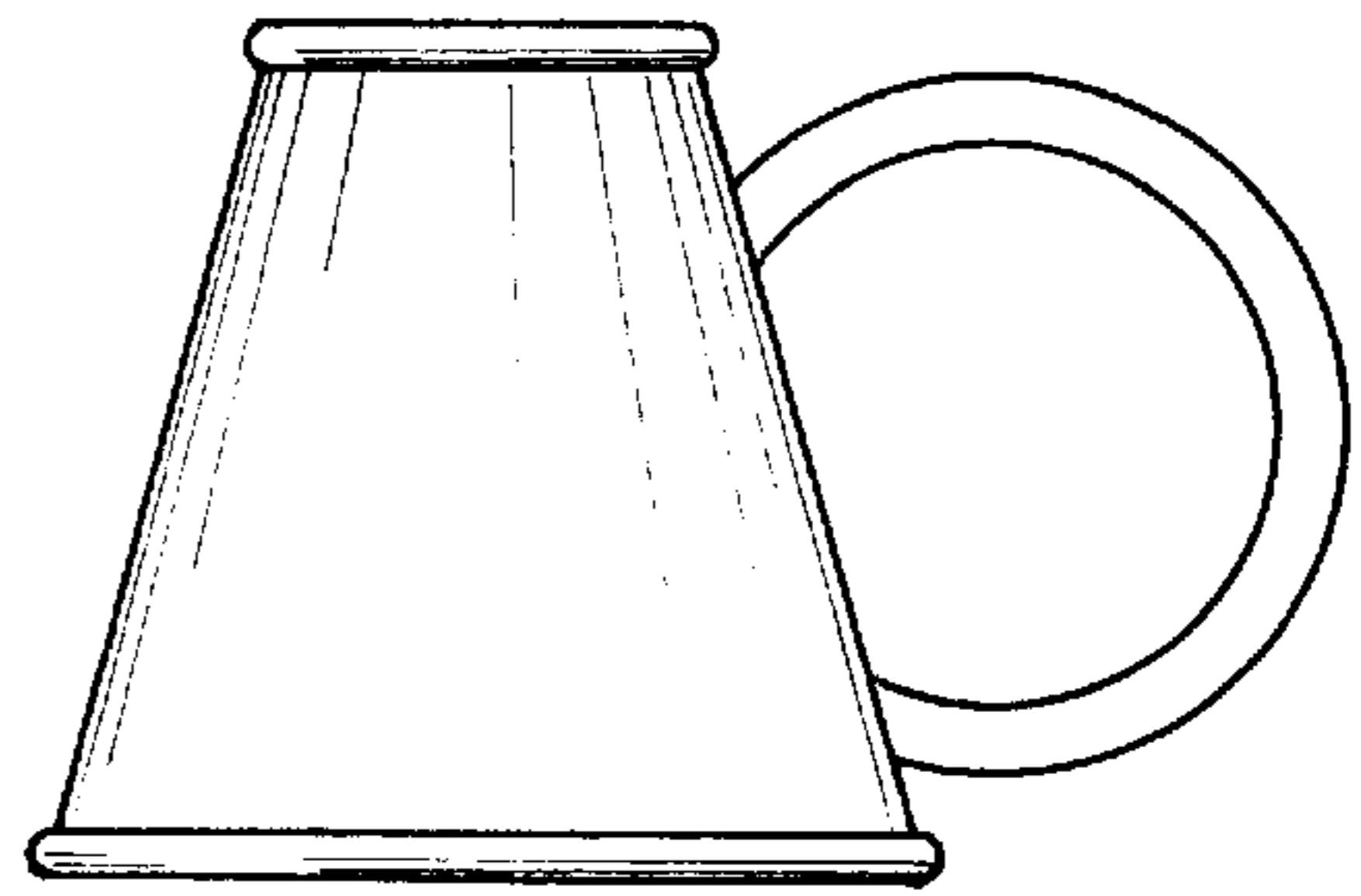


FIG. 2

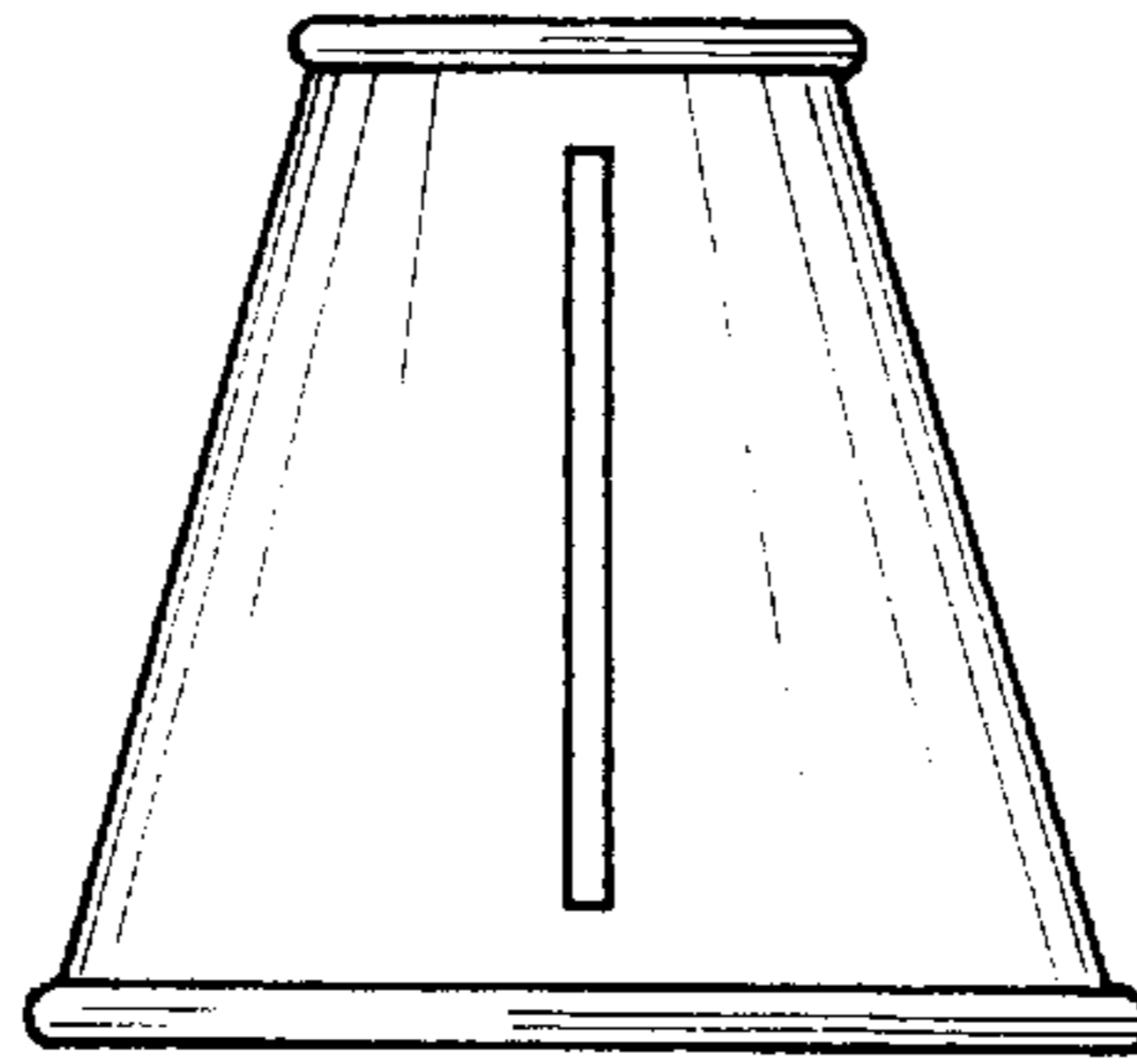


FIG. 3

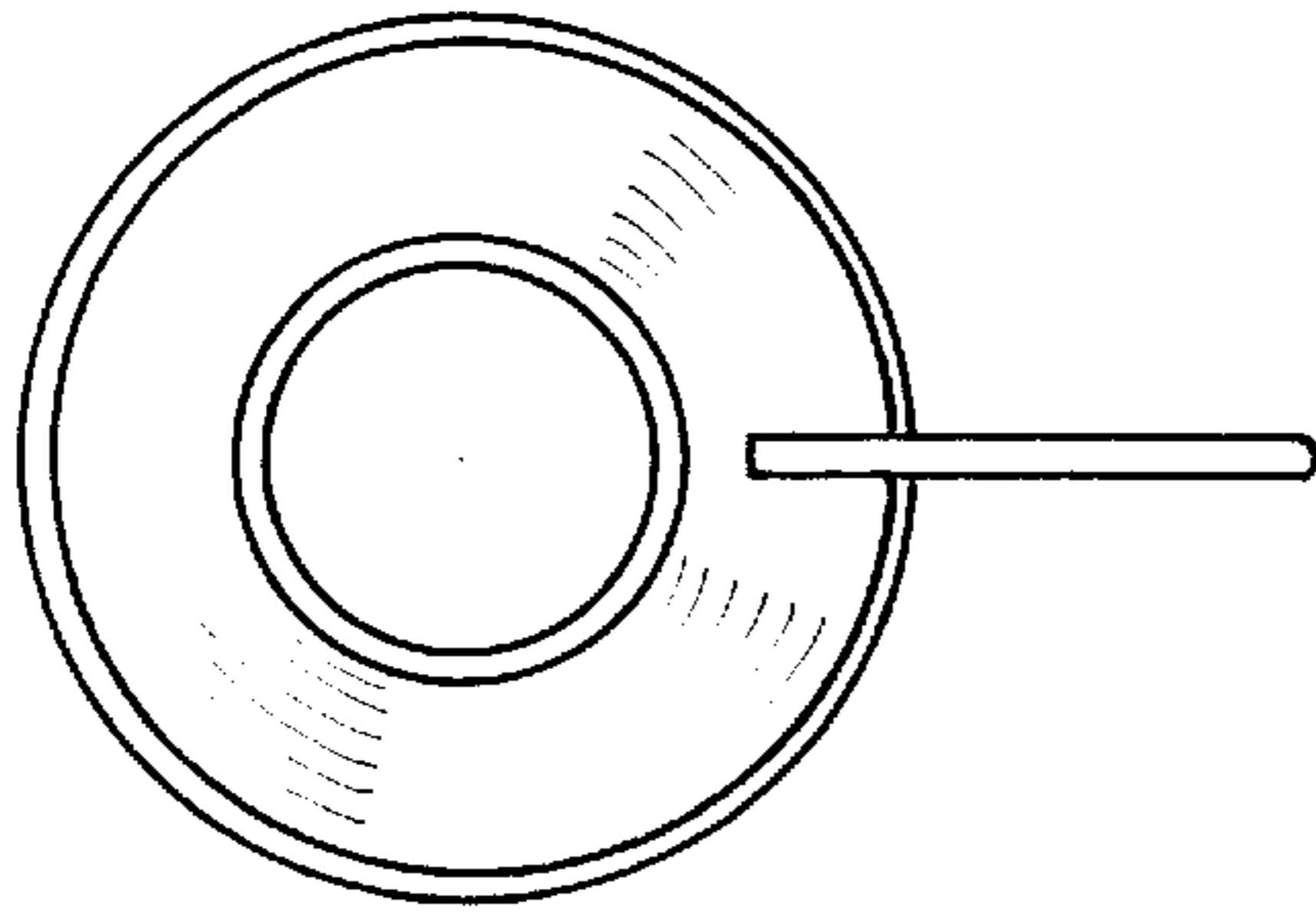


FIG. 4

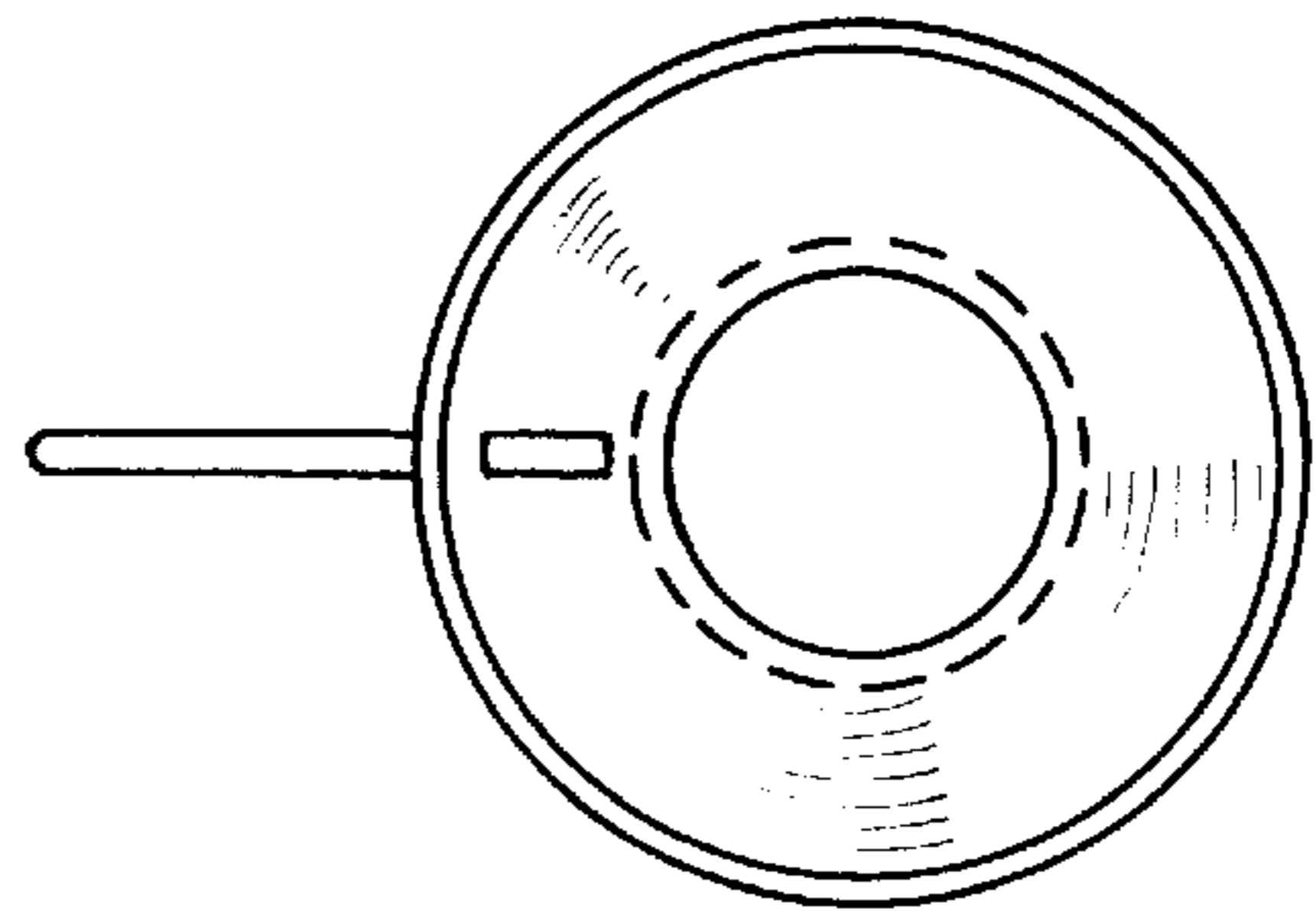


FIG. 5

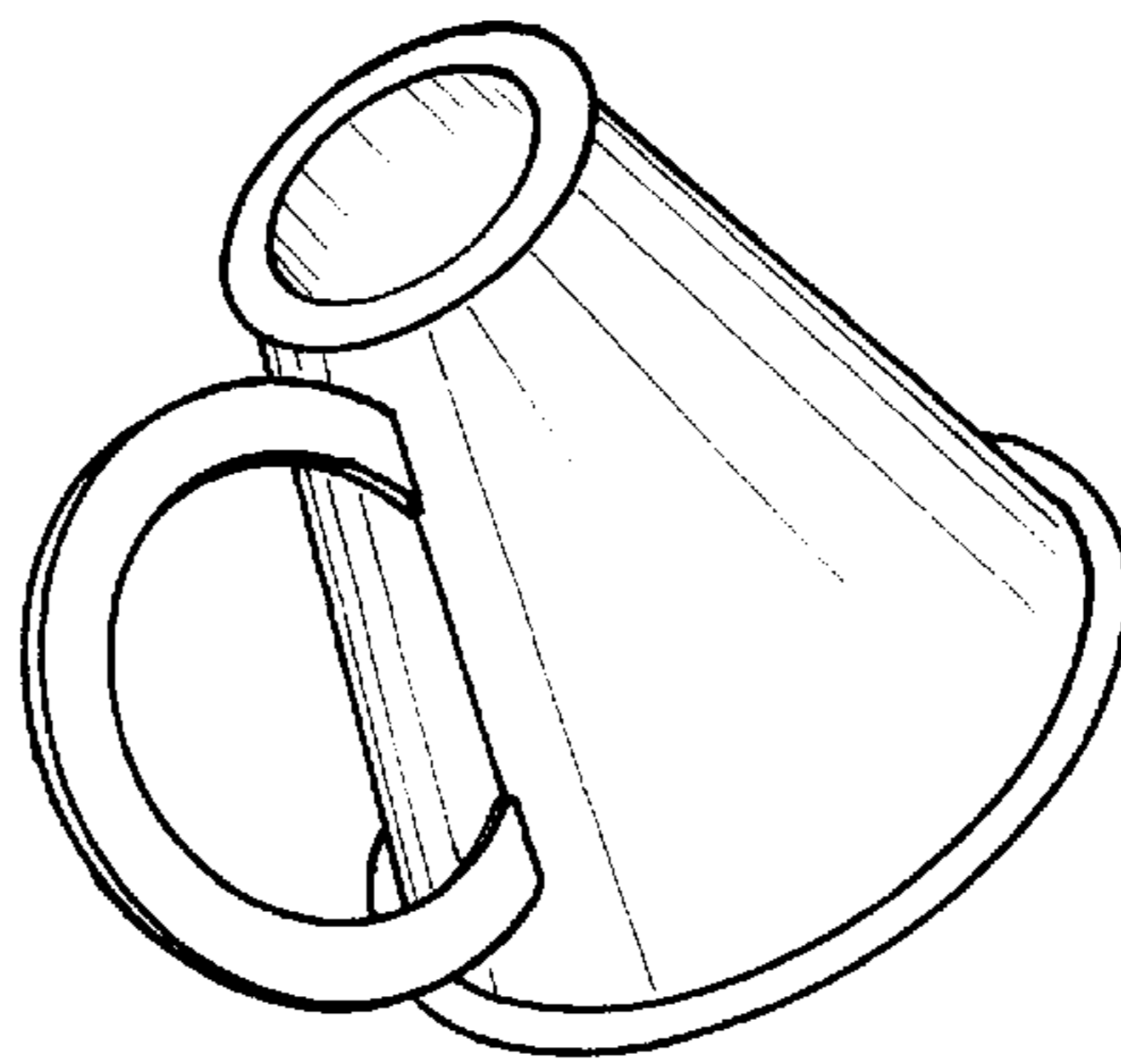


FIG. 6