



US00D403398S

United States Patent [19]

[11] **Patent Number: Des. 403,398**

Guala et al.

[45] **Date of Patent: **Dec. 29, 1998**

[54] **PIERCING CANNULA BODY FOR MEDICAL INFUSION OR TRANSFUSION LINES**

Primary Examiner—Susan J. Lucas
Assistant Examiner—Cynthia F. Ramirez
Attorney, Agent, or Firm—Sughrue, Mion, Zinn, Macpeak & Seas, PLLC

[75] Inventors: **Gianni Guala; Ernesto Guala**, both of Turin, Italy

[73] Assignee: **Industrie Borla S.p.A.**, Turin, Italy

[**] Term: **14 Years**

[57] CLAIM

The ornamental design for a piercing cannula body for medical infusion or transfusion lines, as shown and described.

[21] Appl. No.: **76,199**

DESCRIPTION

[22] Filed: **Sep. 8, 1997**

FIG. 1 is a perspective view from above of a piercing cannula body for medical infusion or transfusion lines and shows our design;

[30] Foreign Application Priority Data

Mar. 10, 1997 [IT] Italy T09700058

FIG. 2 is a perspective view from below of the piercing cannula body for medical infusion or transfusion lines;

[51] **LOC (6) Cl.** **24-02**

FIG. 3 is a rear elevation view of the piercing cannula body for medical infusion or transfusion lines;

[52] **U.S. Cl.** **D24/112**

[58] **Field of Search** D24/108, 112, D24/130, 146, 147; 128/DIG. 12, DIG. 13; 604/251, 264, 256, 168, 192

FIG. 4 is a left side view of the piercing cannula body for medical infusion or transfusion lines;

FIG. 5 is a plan view from above of the piercing cannula body for medical infusion or transfusion lines;

[56] References Cited

U.S. PATENT DOCUMENTS

- D. 257,886 1/1981 Kersten .
- D. 267,270 12/1982 Mittleman .
- D. 268,698 4/1983 Knute .
- D. 272,850 2/1984 Kulle .
- D. 378,130 2/1997 Schmidt D24/112 X

FIG. 6 is a front elevation view of the piercing cannula body for medical infusion or transfusion lines;

FIG. 7 is a right side view of the piercing cannula body for medical infusion or transfusion lines; and,

FIG. 8 is a plan view from below of the piercing cannula body for medical infusion or transfusion lines.

1 Claim, 3 Drawing Sheets

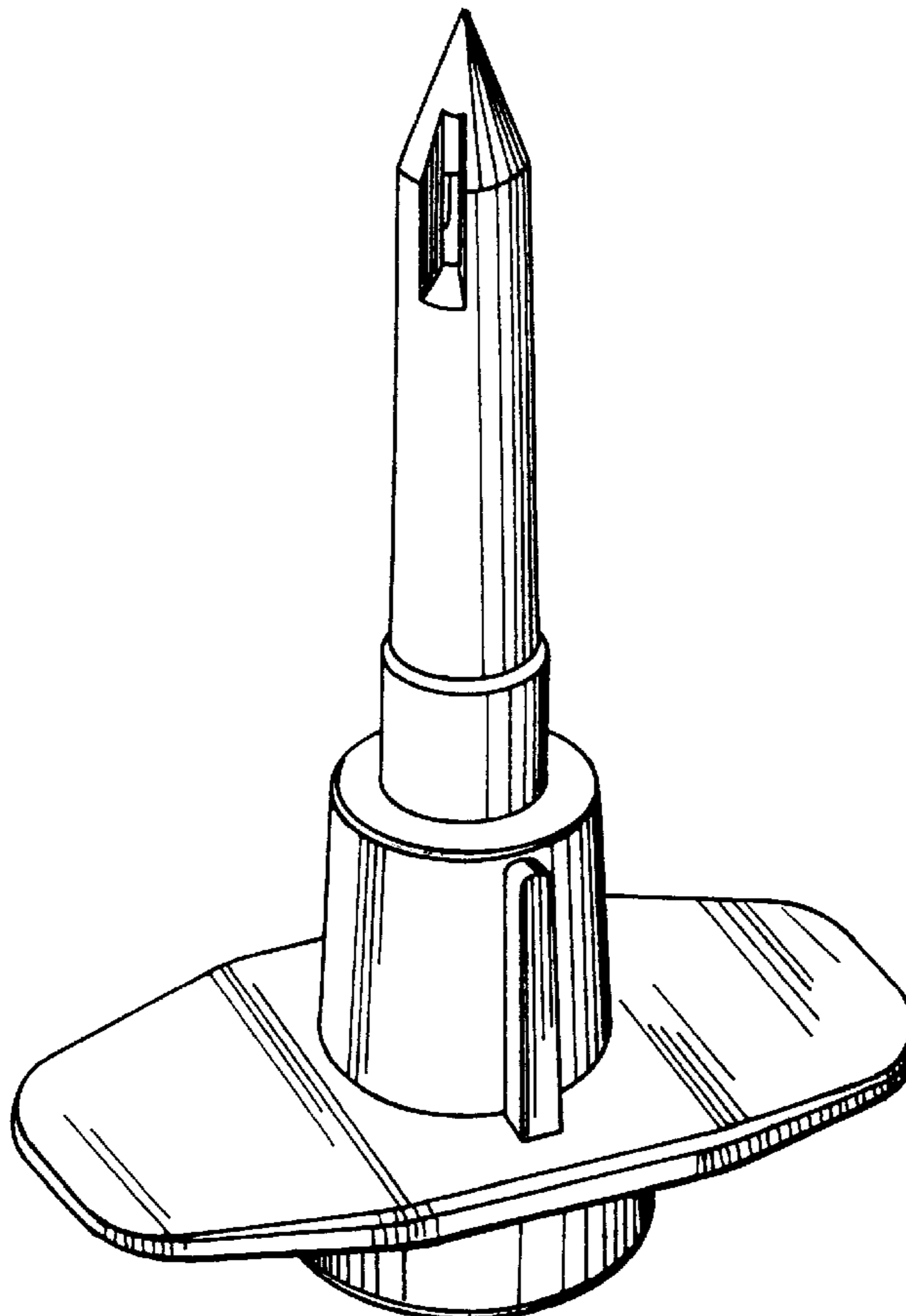


Fig. 1

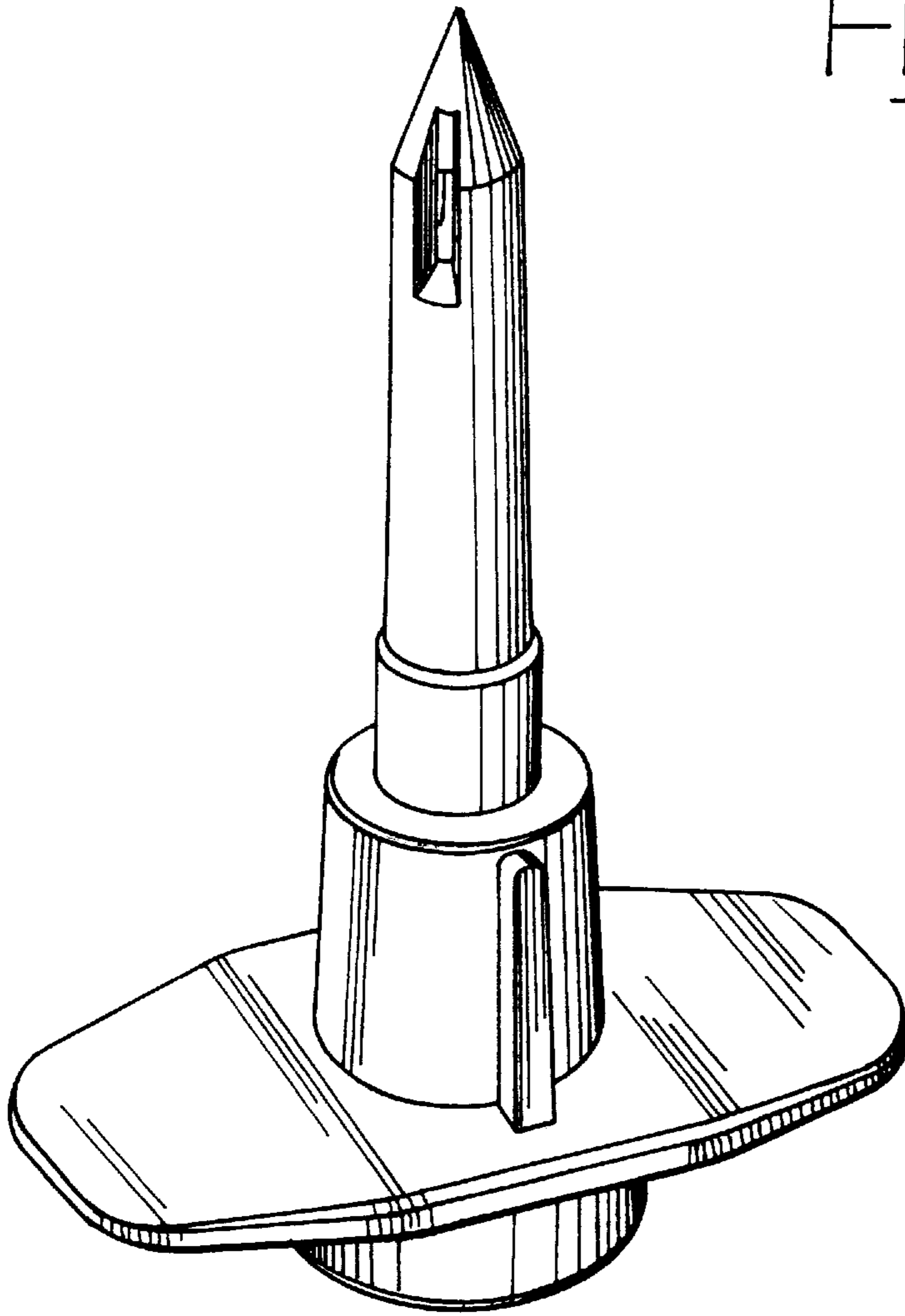


Fig. 2

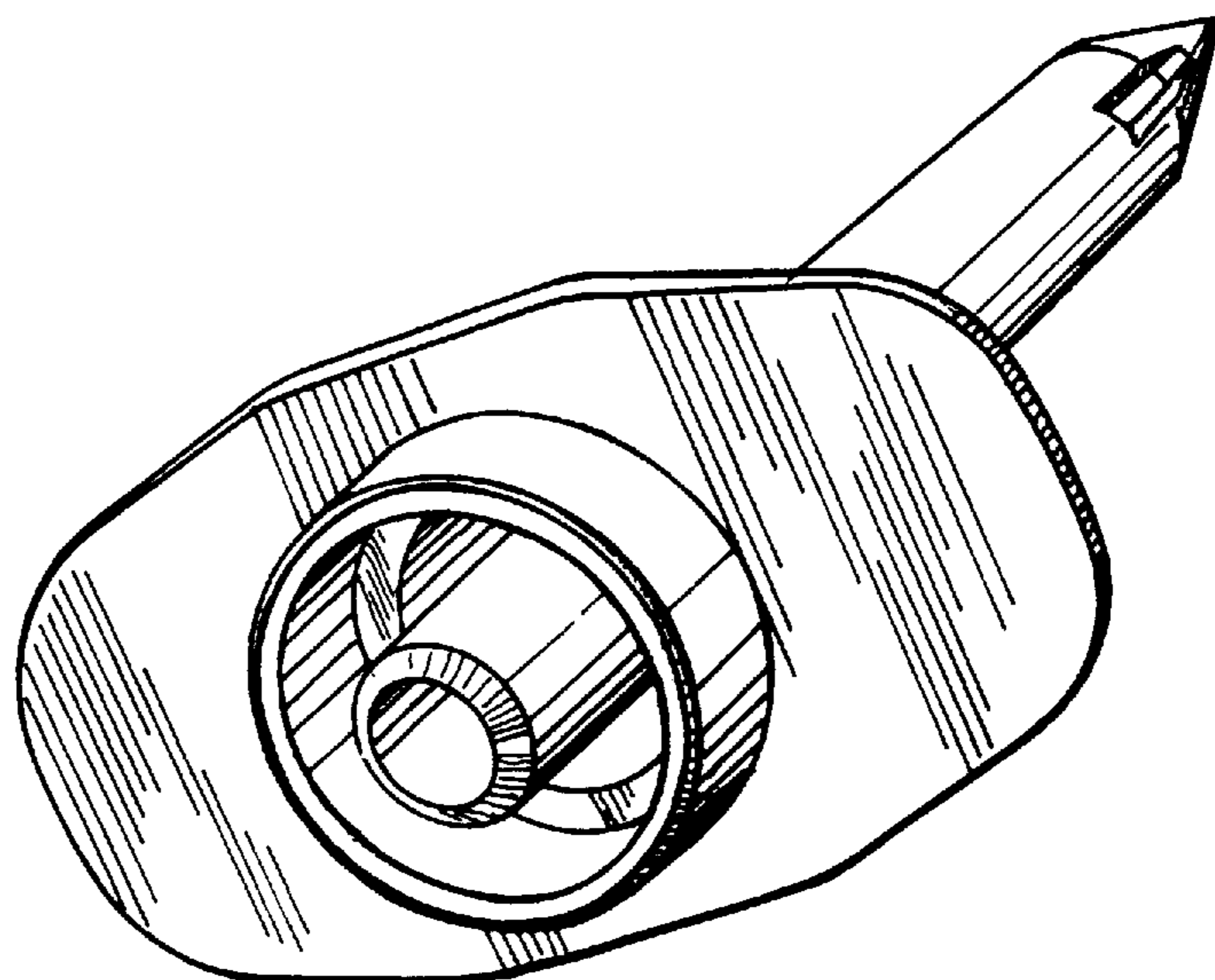


Fig. 3

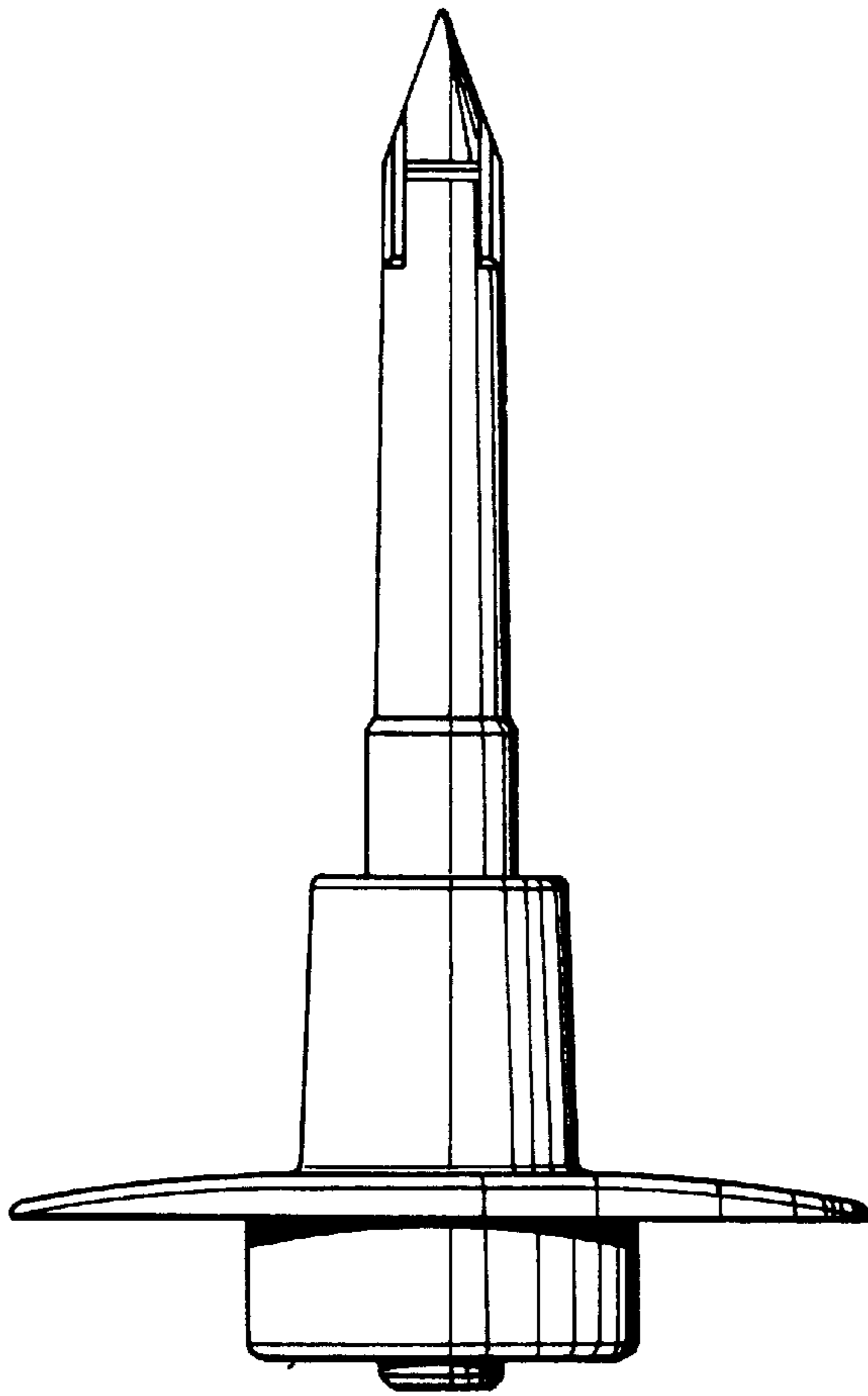


Fig. 4

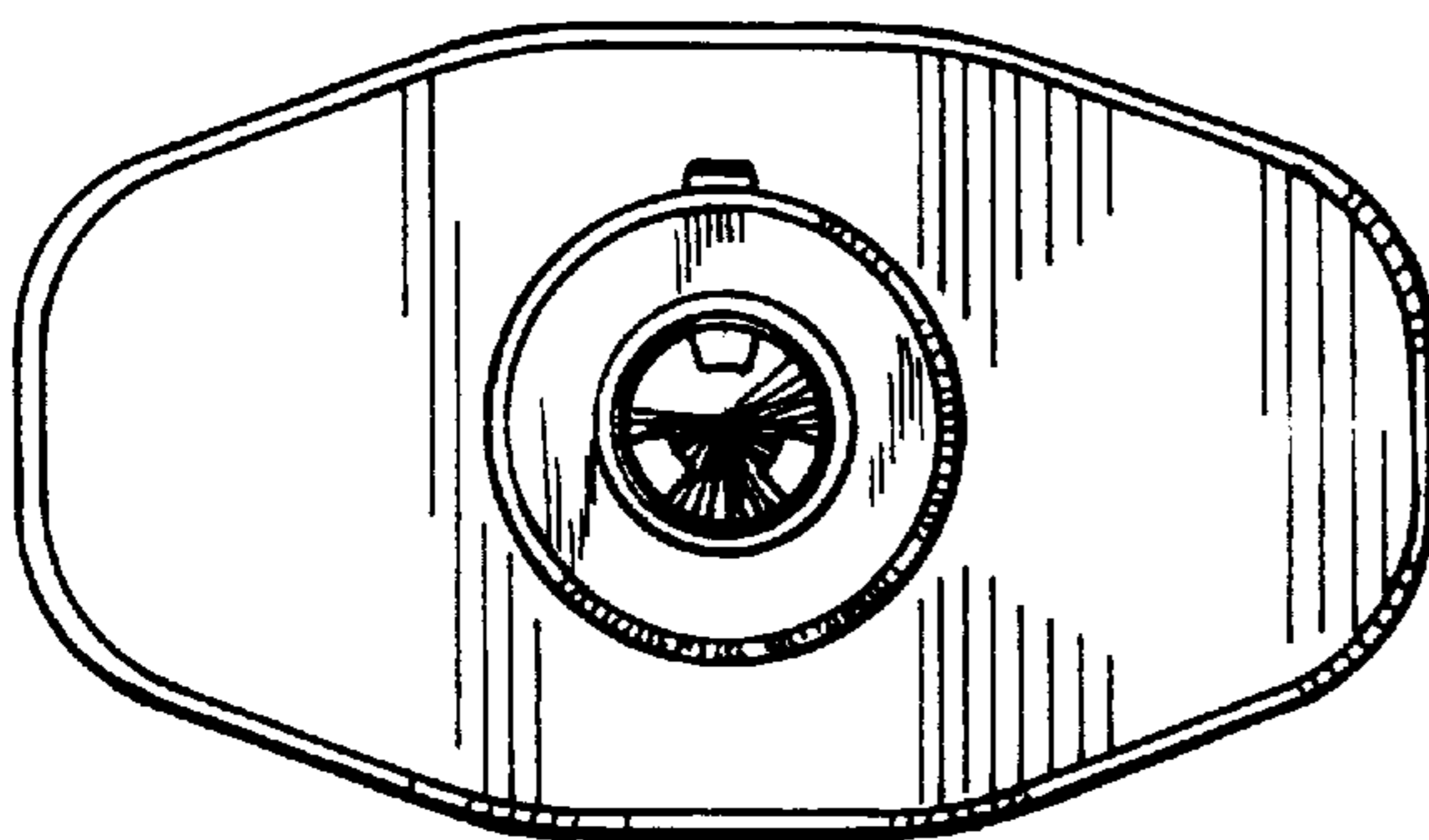
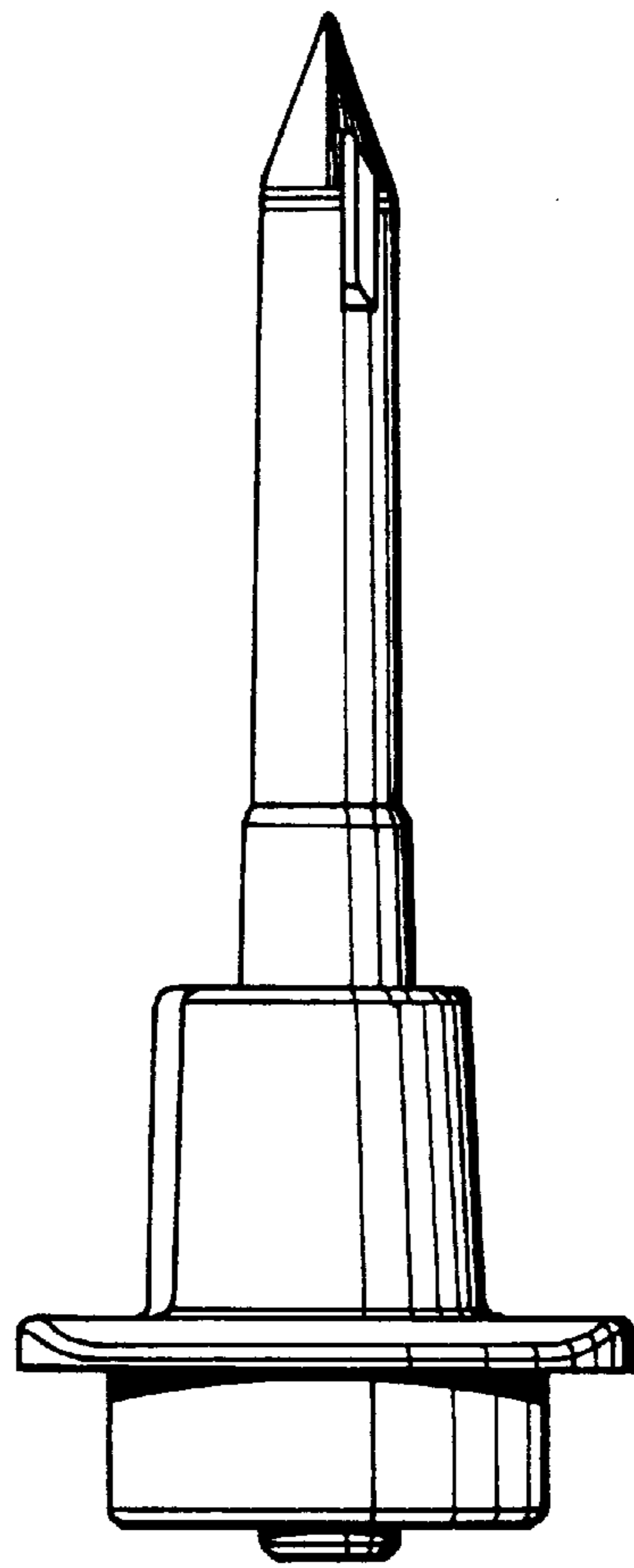


Fig. 5

Fig. 6

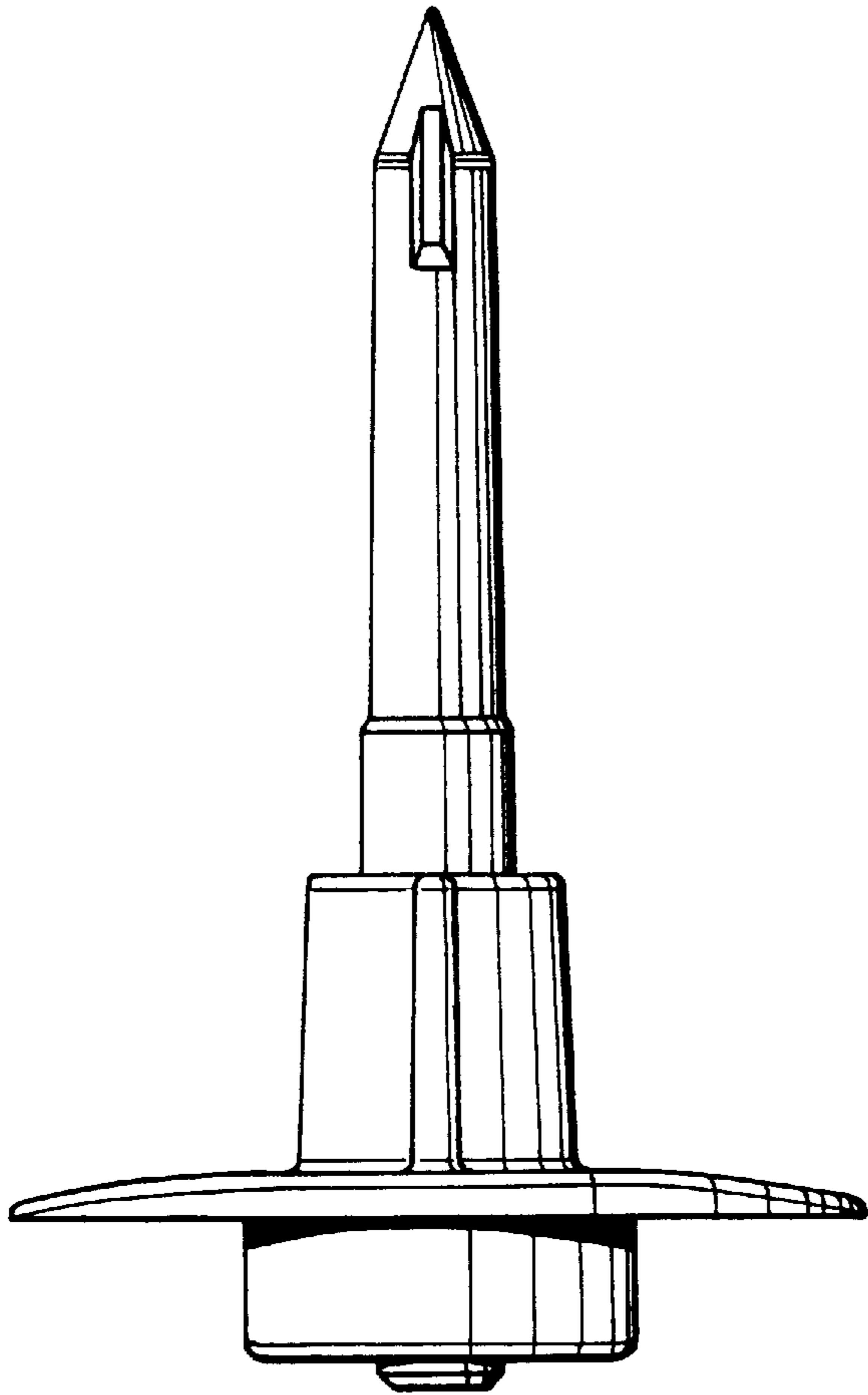


Fig. 7

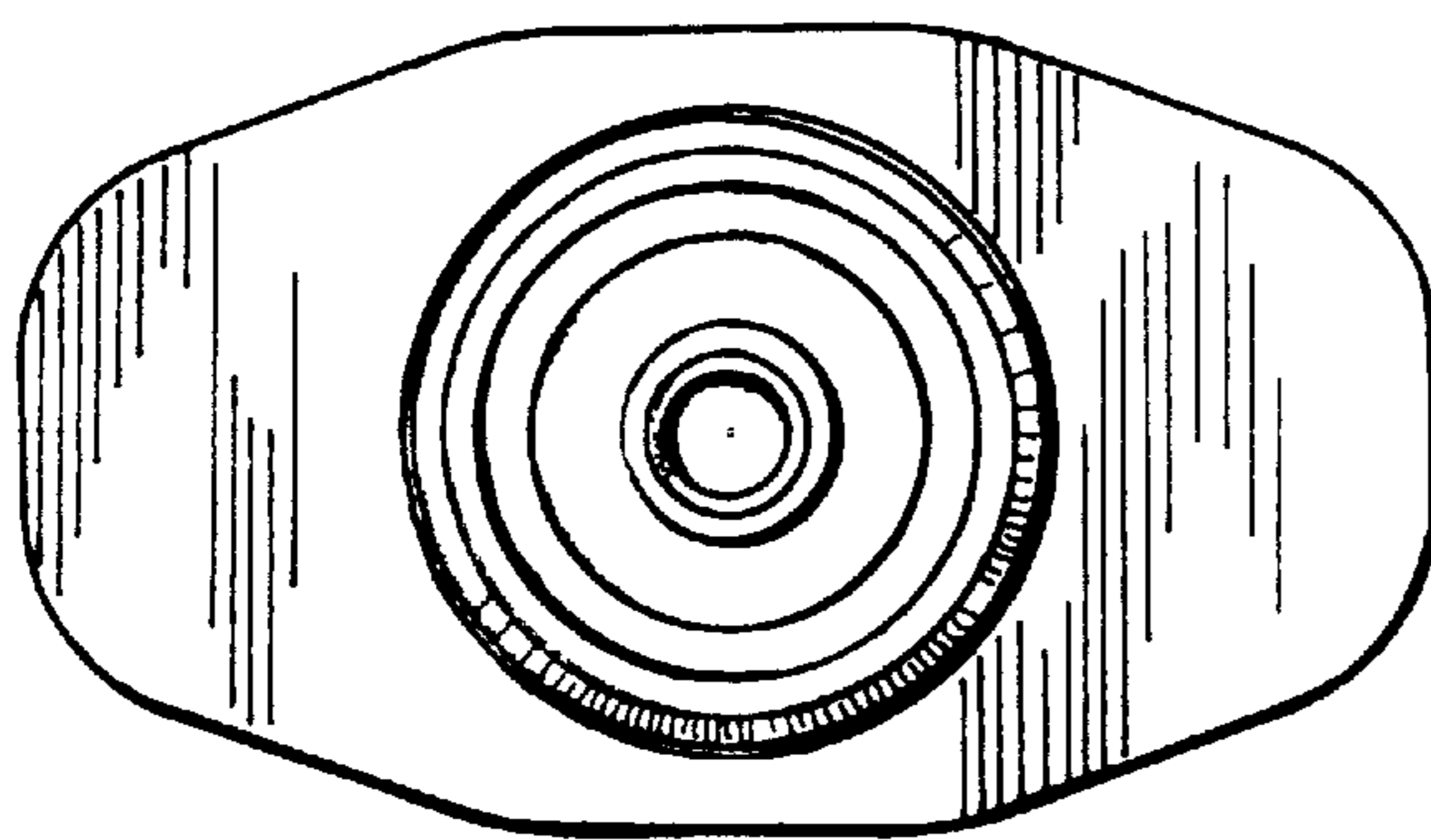
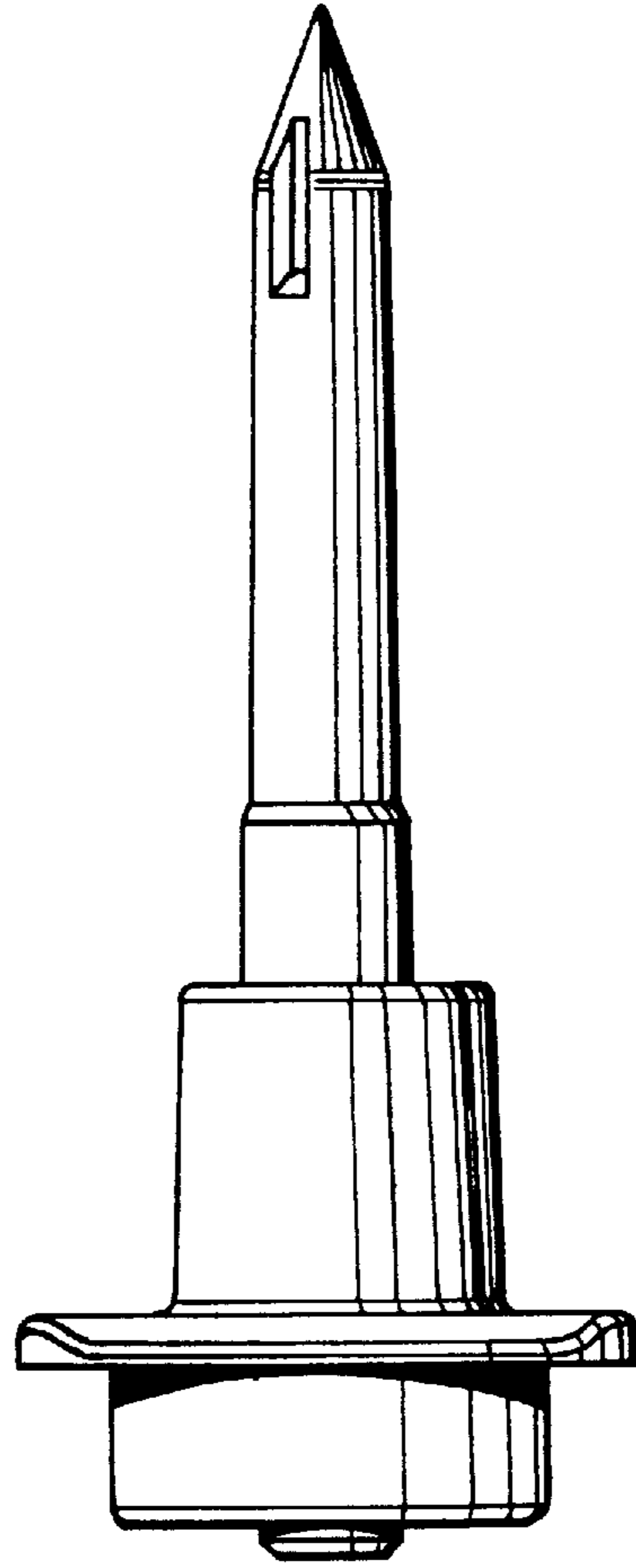


Fig. 8