



US00D403395S

United States Patent [19]

Yoshikawa et al.

[11] **Patent Number: Des. 403,395**

[45] **Date of Patent: **Dec. 29, 1998**

[54] **FISHING REEL BODY**

[75] Inventors: **Toshiaki Yoshikawa**, Musashino;
Shinji Murakami; **Muneaki Tsukihiji**,
both of Higashikurume, all of Japan

[73] Assignee: **Daiwa Seiko, Inc.**, Tokyo, Japan

[**] Term: **14 Years**

[21] Appl. No.: **76,842**

[22] Filed: **Sep. 23, 1997**

[30] **Foreign Application Priority Data**

Mar. 25, 1997 [JP] Japan 9-8399

[51] **LOC (6) Cl.** **22-05**

[52] **U.S. Cl.** **D22/141**

[58] **Field of Search** D22/140, 141;
242/223, 224, 230-233, 246, 247, 248,
283

[56] **References Cited**

U.S. PATENT DOCUMENTS

D. 327,312 6/1992 Myojo D22/141
D. 336,677 6/1993 Shiozaki D22/141

D. 352,760 11/1994 Terada et al. D22/141
D. 352,761 11/1994 Sakurai D22/141
D. 352,763 11/1994 Myojo D22/141
3,743,207 7/1973 McMickle 242/233
5,540,397 7/1996 Yoshikawa 242/283

Primary Examiner—Doris V. Coles
Attorney, Agent, or Firm—Laff, Whitesel, Conte & Saret,
Ltd.

[57] **CLAIM**

The ornamental design for fishing reel body, as shown and described.

DESCRIPTION

FIG. 1 is a front elevational view of fishing reel body, showing our new design;
FIG. 2 is a rear elevational view thereof;
FIG. 3 is a top plan view thereof;
FIG. 4 is a bottom plan view thereof;
FIG. 5 is a left side elevational view thereof; and,
FIG. 6 is a right side elevational view thereof.
The broken line showing of the environment in FIGS. 1-6 is for illustrative purposes only and forms no part of the claimed design.

1 Claim, 3 Drawing Sheets

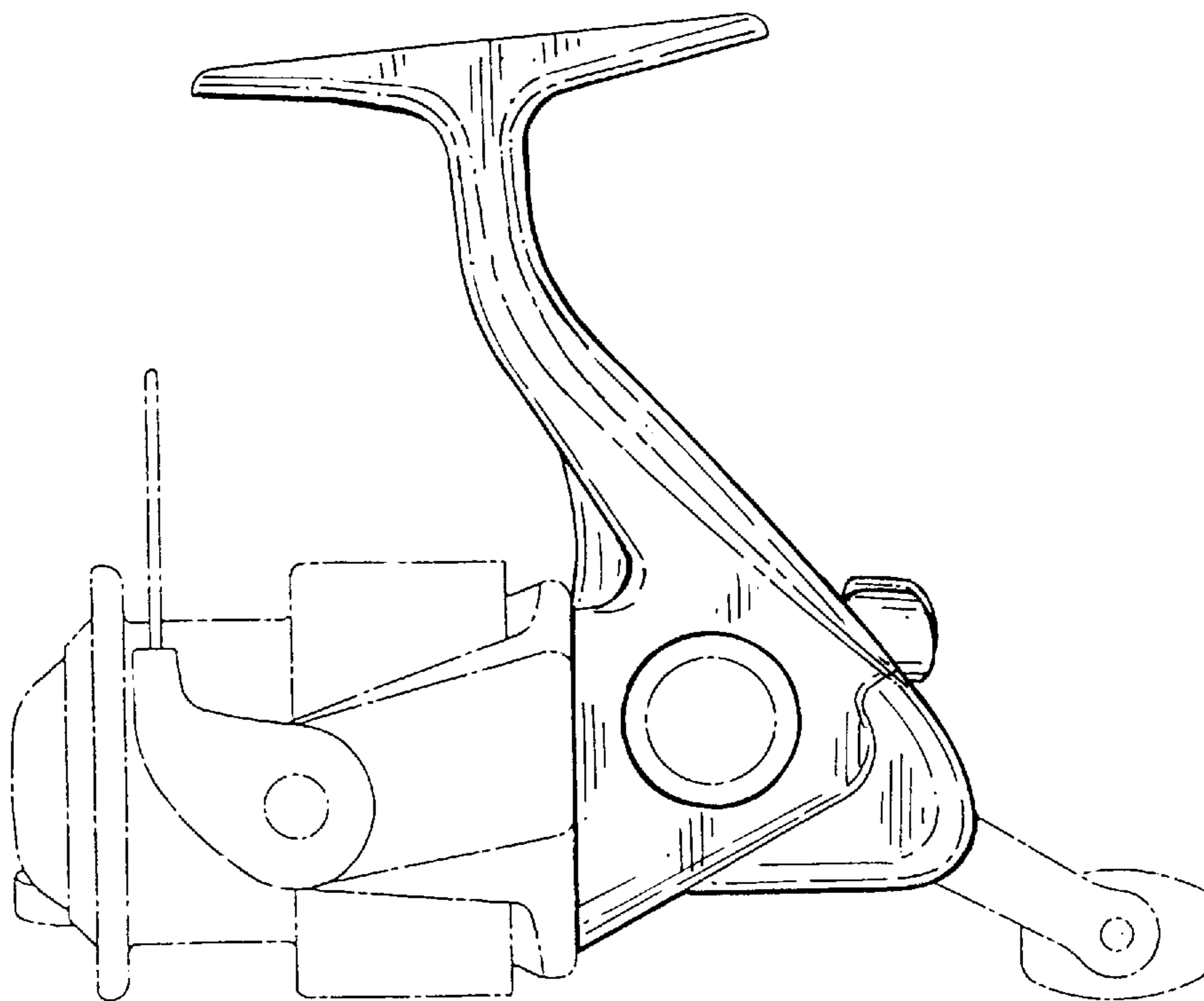


FIG. 1

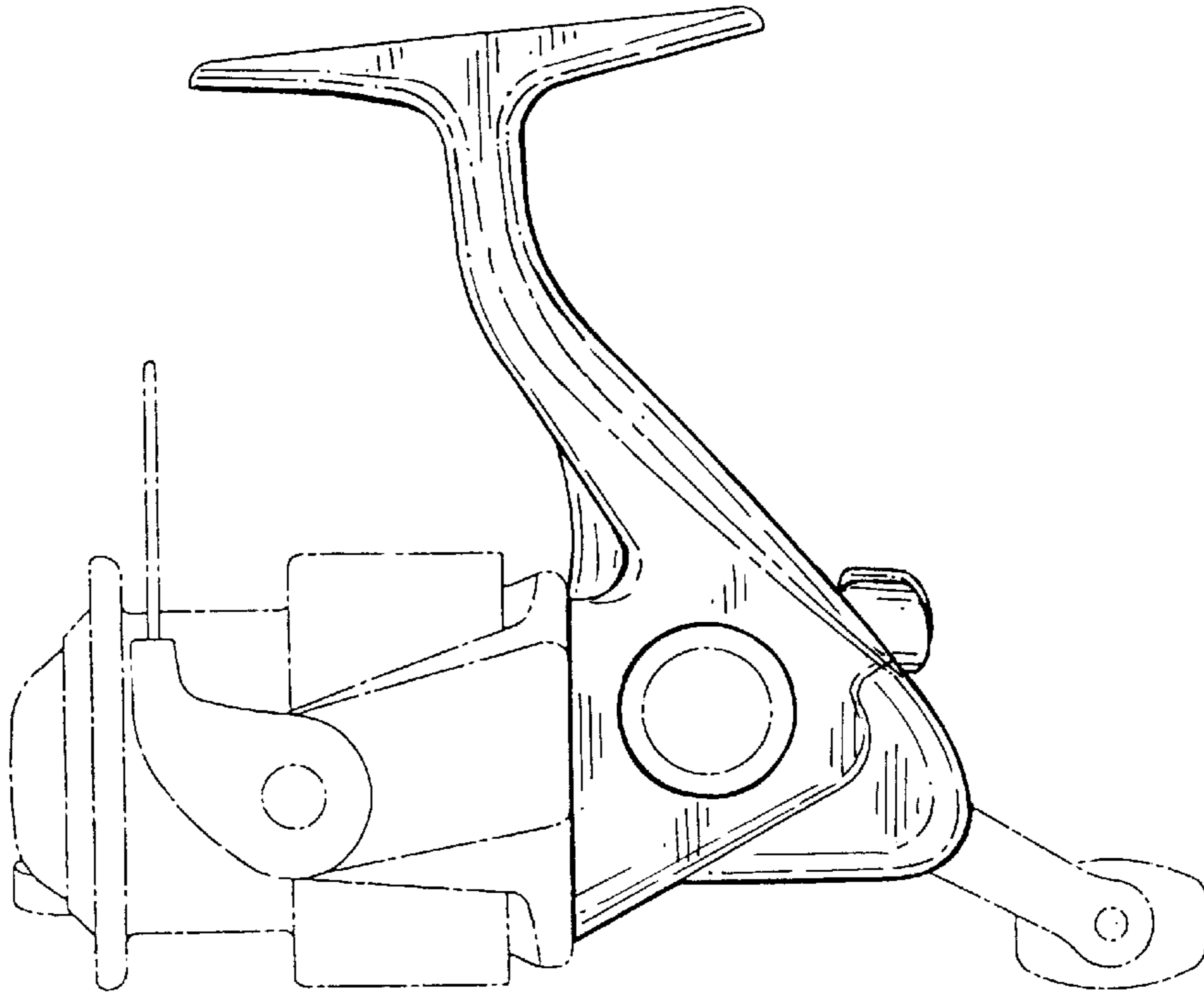


FIG. 2

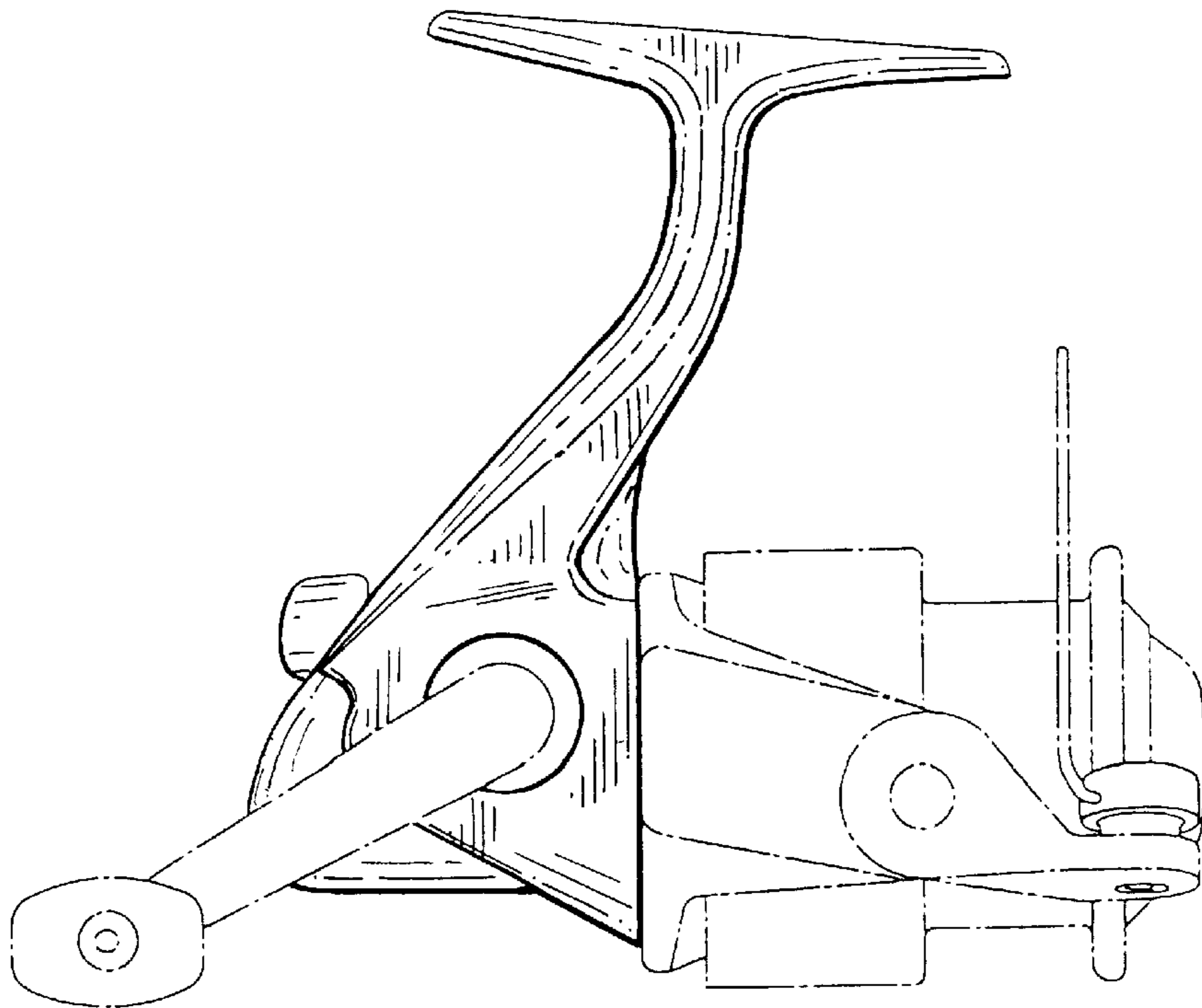


FIG. 3

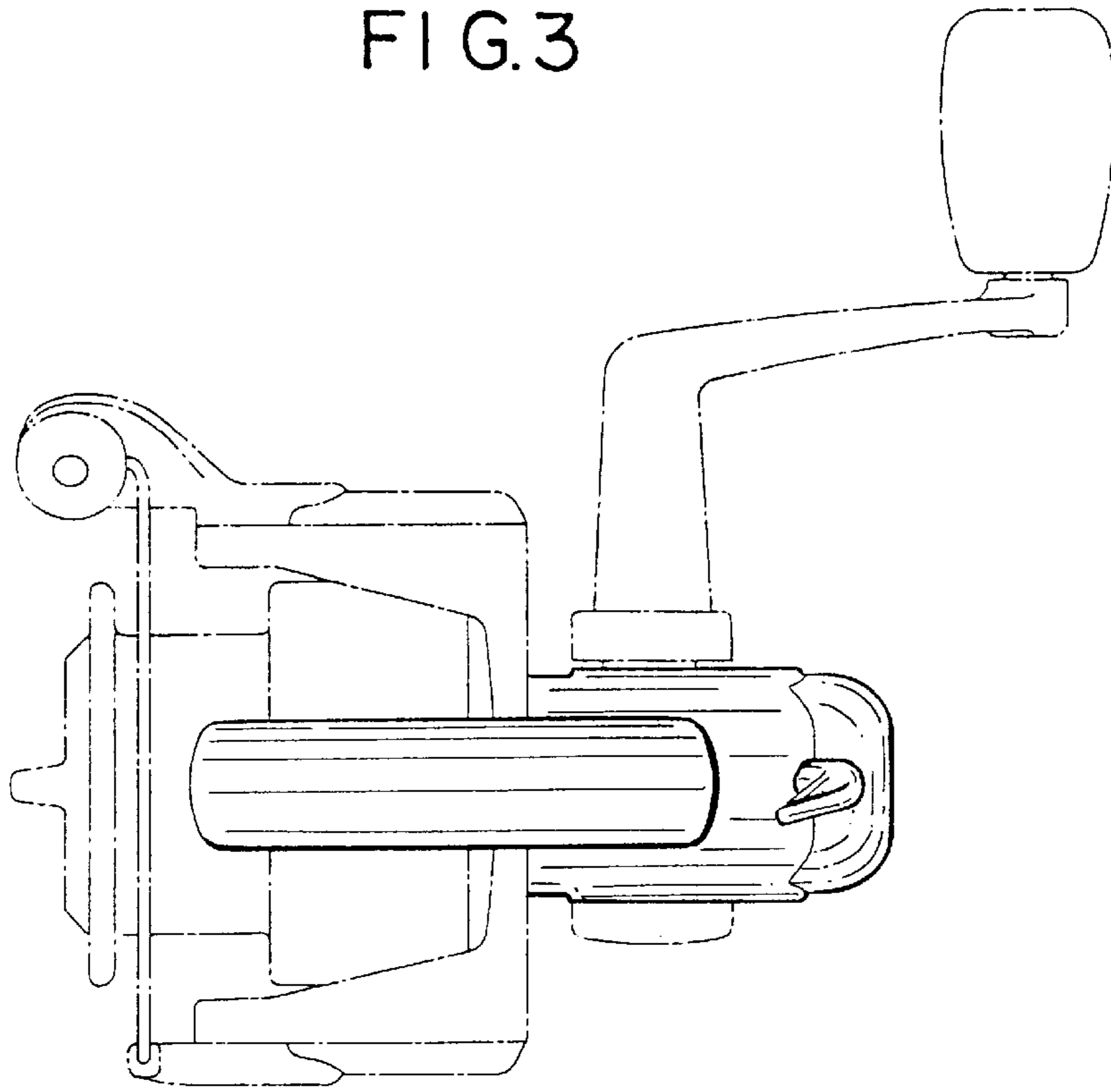


FIG. 4

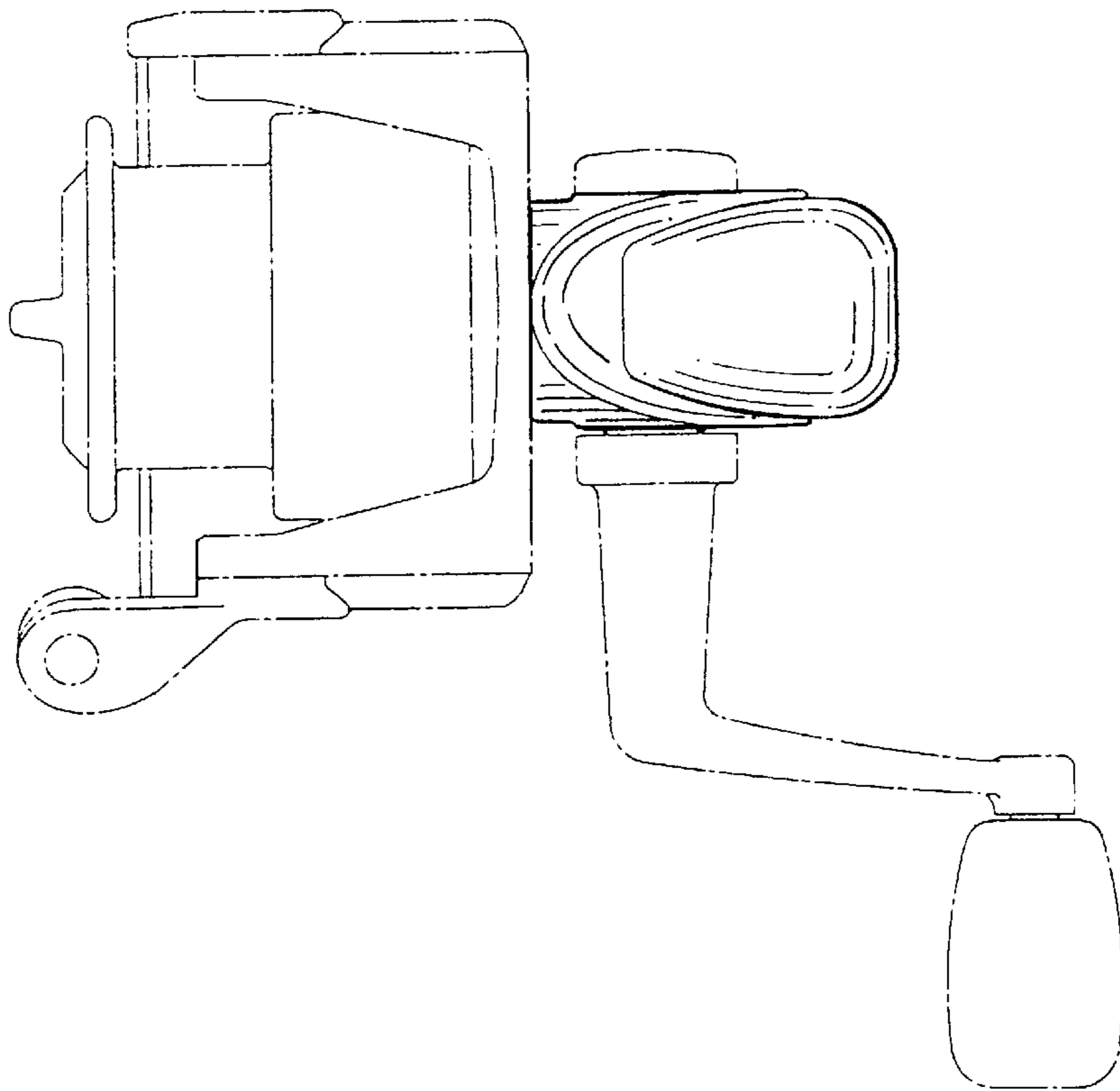


FIG. 5

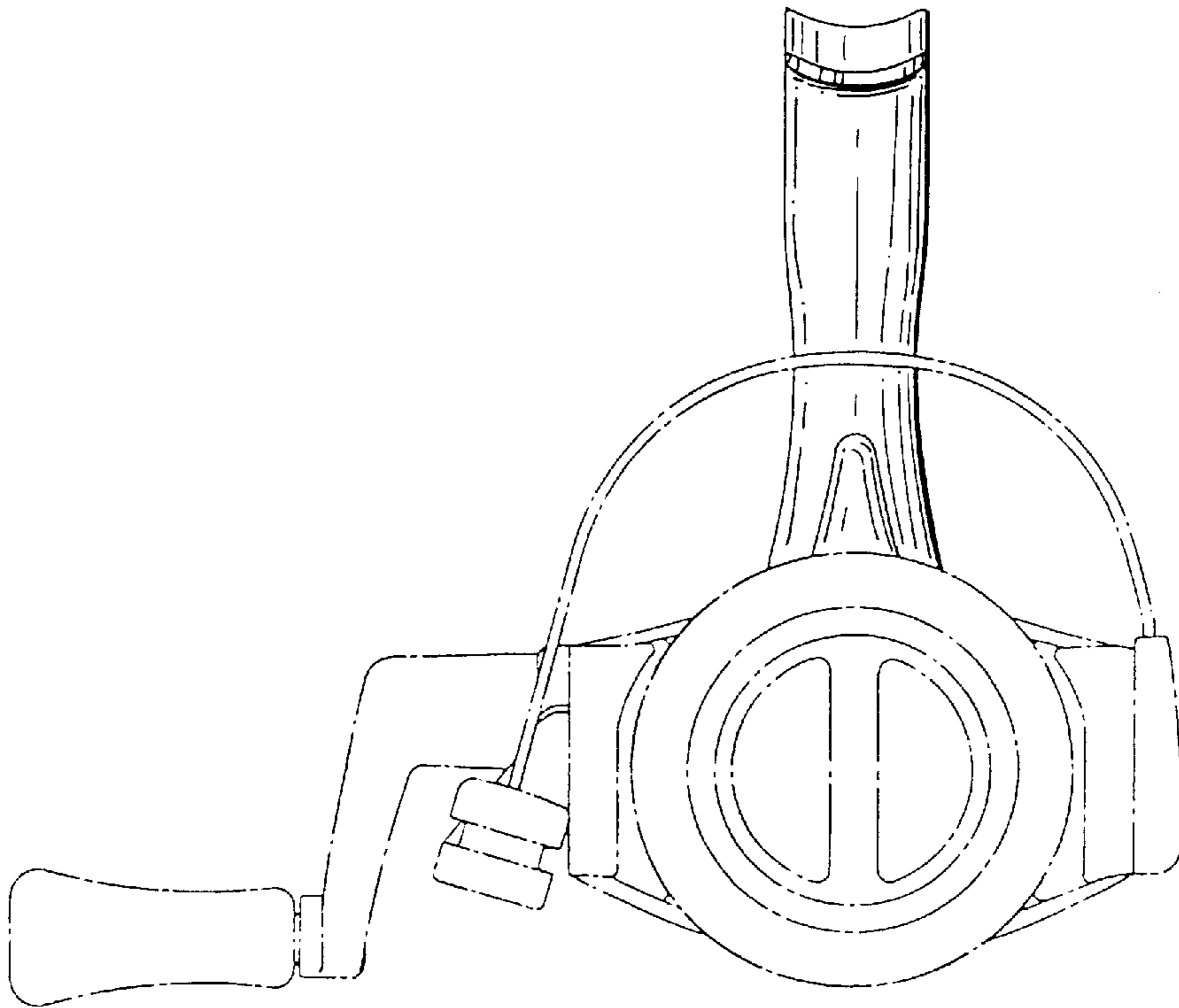


FIG. 6

