



US00D403393S

# United States Patent [19]

[11] **Patent Number: Des. 403,393**

**Weast**

[45] **Date of Patent: \*\*Dec. 29, 1998**

[54] **SCOPE RING**

[76] Inventor: **Gerald T. Weast**, 900 W. Gardenia, Madison Heights, Mich. 48072

[\*\*] Term: **14 Years**

[21] Appl. No.: **48,370**

[22] Filed: **Dec. 29, 1995**

[51] **LOC (6) Cl. .... 22-01**

[52] **U.S. Cl. .... D22/110; D22/108; D22/109**

[58] **Field of Search .... D3/100, 108, 109, D3/110, 199; 33/245, 247; 42/100**

AccuSport—Outdoor Sporting Products, pp. 135, 258, 411, 412, 415, 419, 420, 421, 422, 427, 435, 436–452, 472, 473, 487, 488, Winchester/Olin Corp. 1995.

*Facts about Telescope Sights*, pub. Jan. 1956, p. 75, Balfor Sight, top center of page.

*Primary Examiner*—Louis S. Zarfes

*Assistant Examiner*—Monica A. Weingart

*Attorney, Agent, or Firm*—Harness, Dickey & Pierce, P.L.C.

## [57] CLAIM

The ornamental designs for a scope ring, as shown and described.

## DESCRIPTION

### [56] References Cited

#### U.S. PATENT DOCUMENTS

D. 232,633	9/1974	Weast .	
D. 248,309	6/1978	Weast .	
D. 249,538	9/1978	Weast .	
D. 255,140	5/1980	Weast .	
D. 257,564	11/1980	Weast .	
D. 259,204	5/1981	Weast .	
D. 262,481	12/1981	Bechtel .....	D22/110
3,611,606	10/1971	Sefried et al. ....	33/245 X
3,835,565	9/1974	Weast .	
4,026,055	5/1977	Weast .	
4,429,468	2/1984	Jimenez et al. ....	33/245
4,509,282	4/1985	McMillon .....	33/245 X
4,941,277	7/1990	Lawlor .....	42/100

#### OTHER PUBLICATIONS

1994 Shooters Catalog, pp. 52, 56 and 57, by Blount, Sporting Equipment Division.

Tasco Sport Optics, pp. 18, 19, 24–36, 1994.

Set Your Sites On The Best, Kwik-Site Corporation. 12 pgs. acknowledged prior art.

BEC, Riflescopes 4 pgs. acknowledged prior art.

Burriss, It's Time For A Change, pp. 4, 5, 6, 10, 15, 16 and 17, Burriss Company, Inc. Apr. 1, 1995.

Custom Scope Mounts—See-Thru & Solid Scope Mounts, 3 sheets Custom Quality Products, Inc. acknowledged prior art.

FIG. 1 is a perspective view of the scope ring showing my new design;

FIG. 2 is a front elevational view of the scope ring of FIG. 1 with the rear elevational view being an identical mirror image of the view of FIG. 2;

FIG. 3 is a top elevational view of the scope ring of FIG. 1; FIG. 4 is a right side elevational view of the scope ring of FIG. 1;

FIG. 5 is a left side elevational view of the scope ring of FIG. 1;

FIG. 6 is a bottom elevational view of the scope ring of FIG. 1;

FIG. 7 is a perspective view of a second embodiment with the top elevational view being that shown in FIG. 3;

FIG. 8 is a front elevational view of the scope ring of FIG. 7 with the rear elevational view being an identical mirror image of the view of FIG. 8;

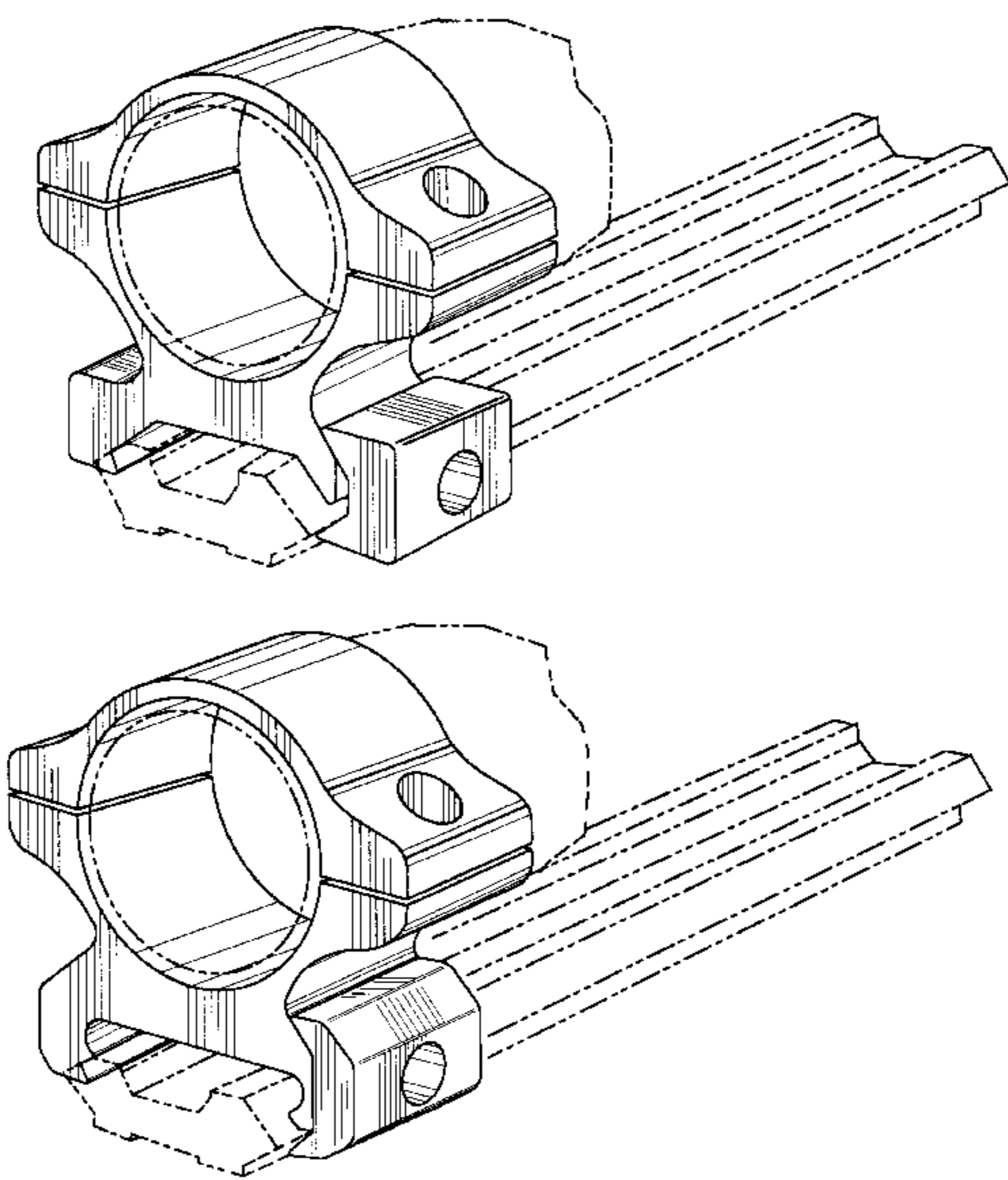
FIG. 9 is a right side elevational view of the scope ring of FIG. 7;

FIG. 10 is a left side elevational view of the scope ring of FIG. 7; and,

FIG. 11 is a bottom elevational view of the scope ring of FIG. 7.

The broken line showing of a mounting base and sighting scope in FIGS. 1 and 7 is for illustrative purposes only and forms no part of the claimed design.

**1 Claim, 4 Drawing Sheets**



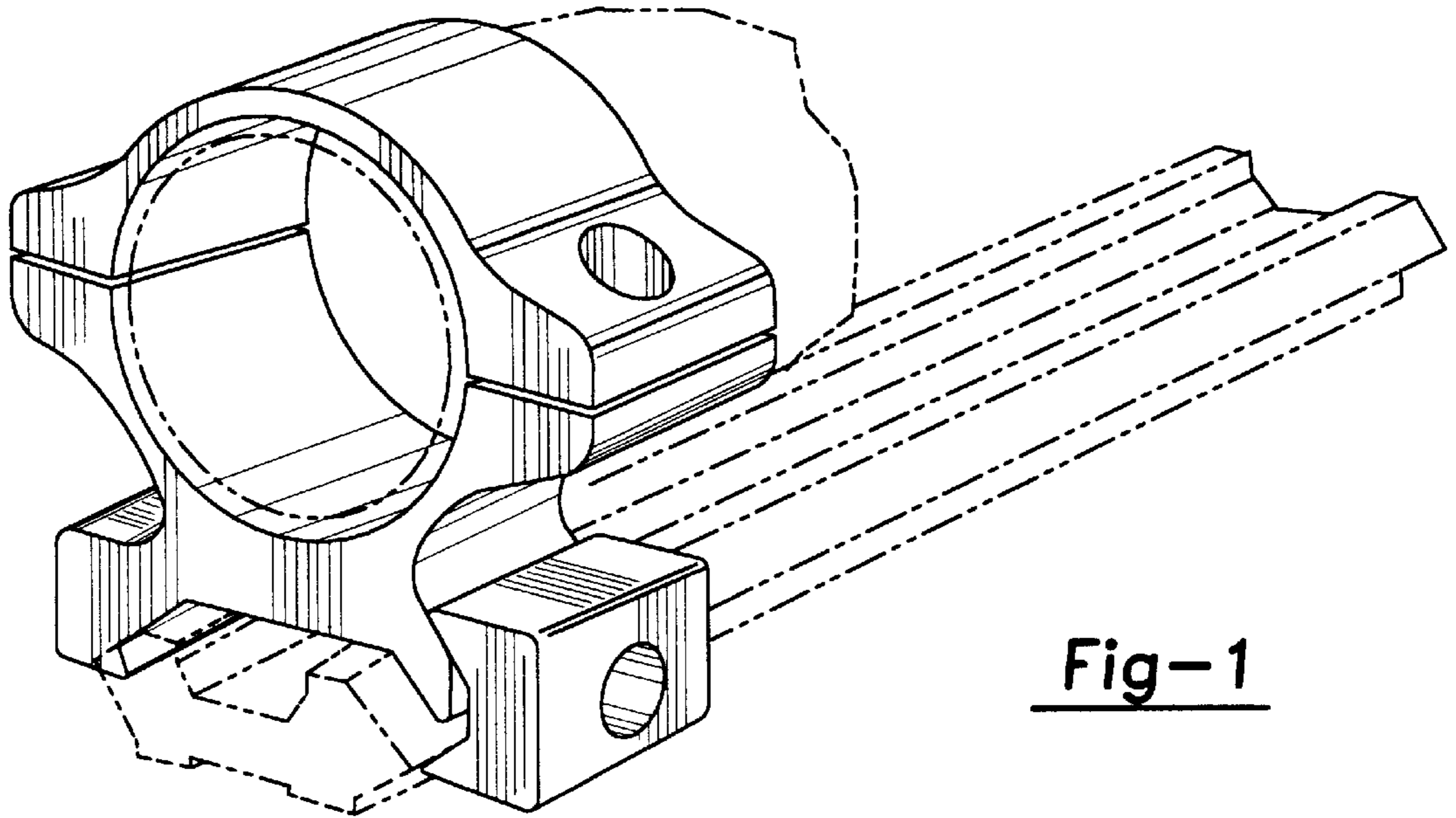


Fig-1

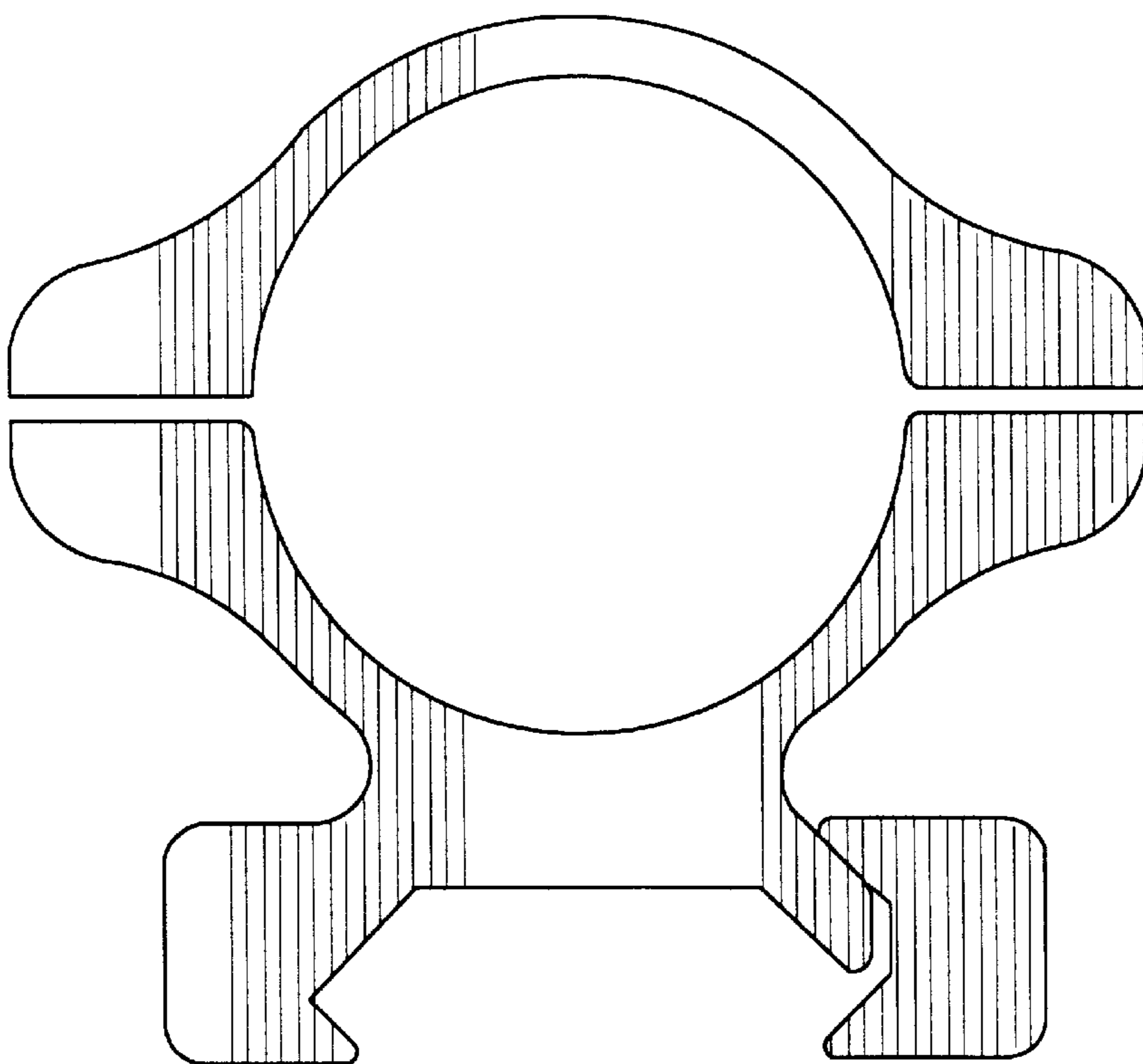


Fig-2

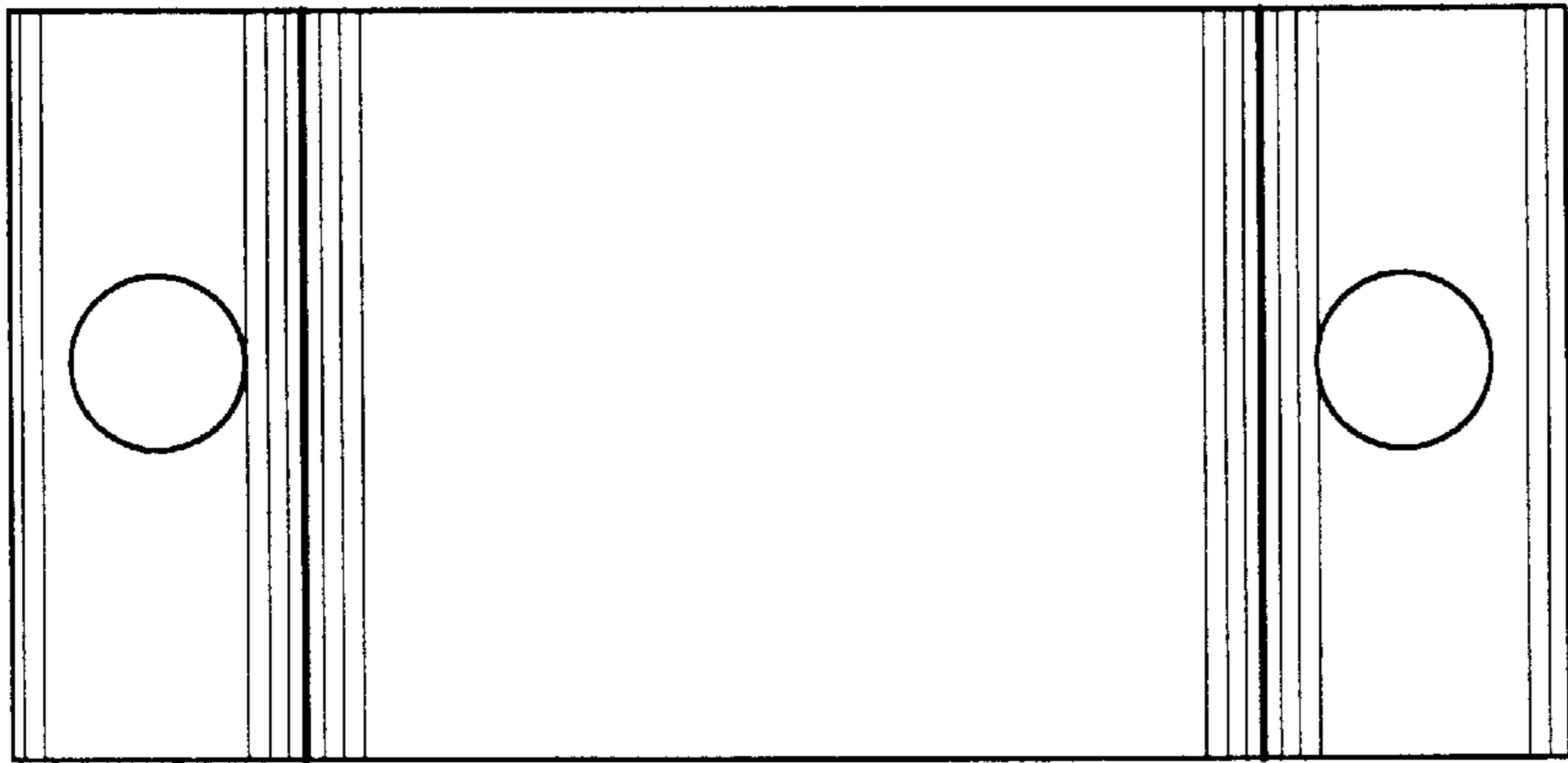


Fig-3

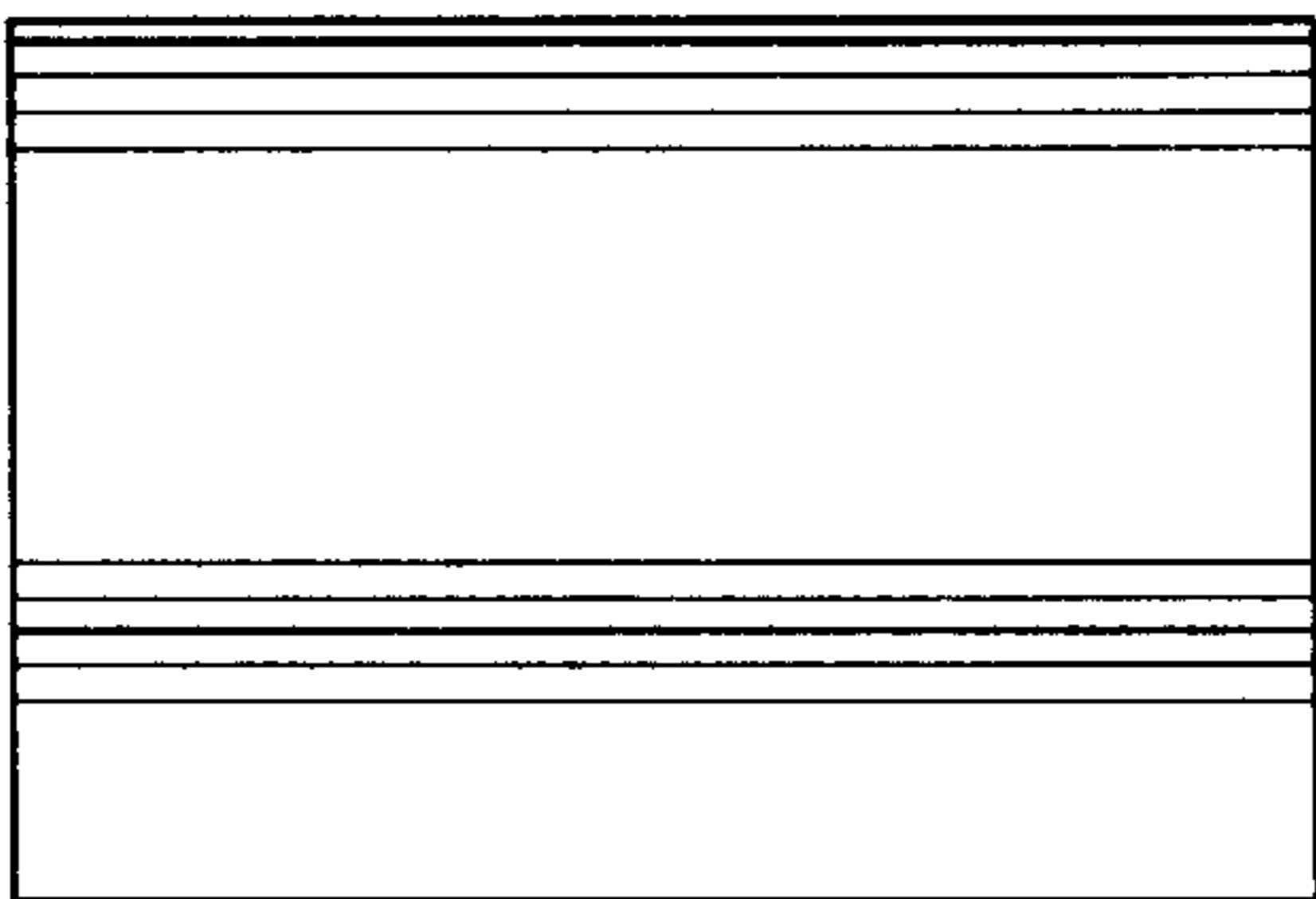


Fig-5

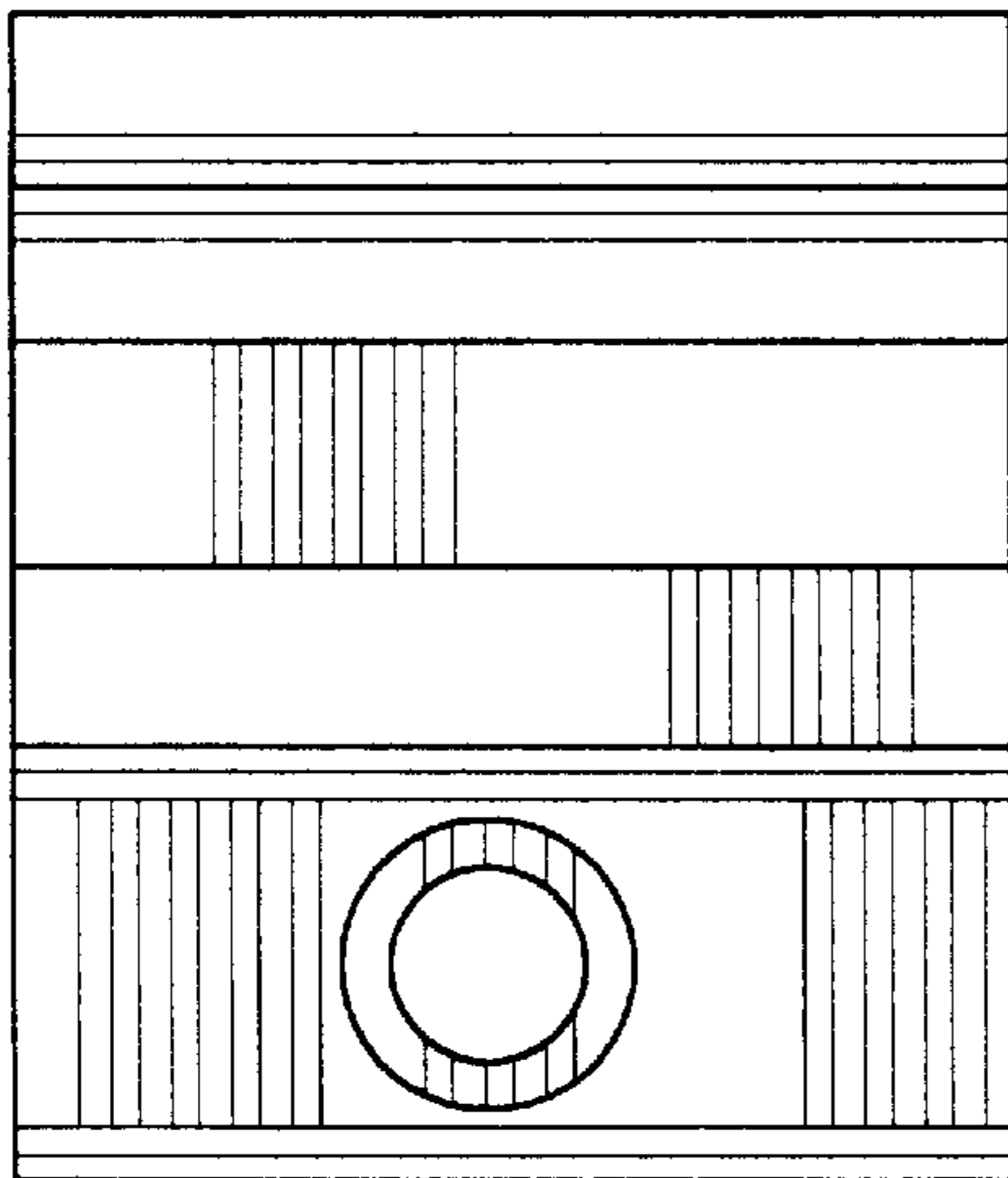
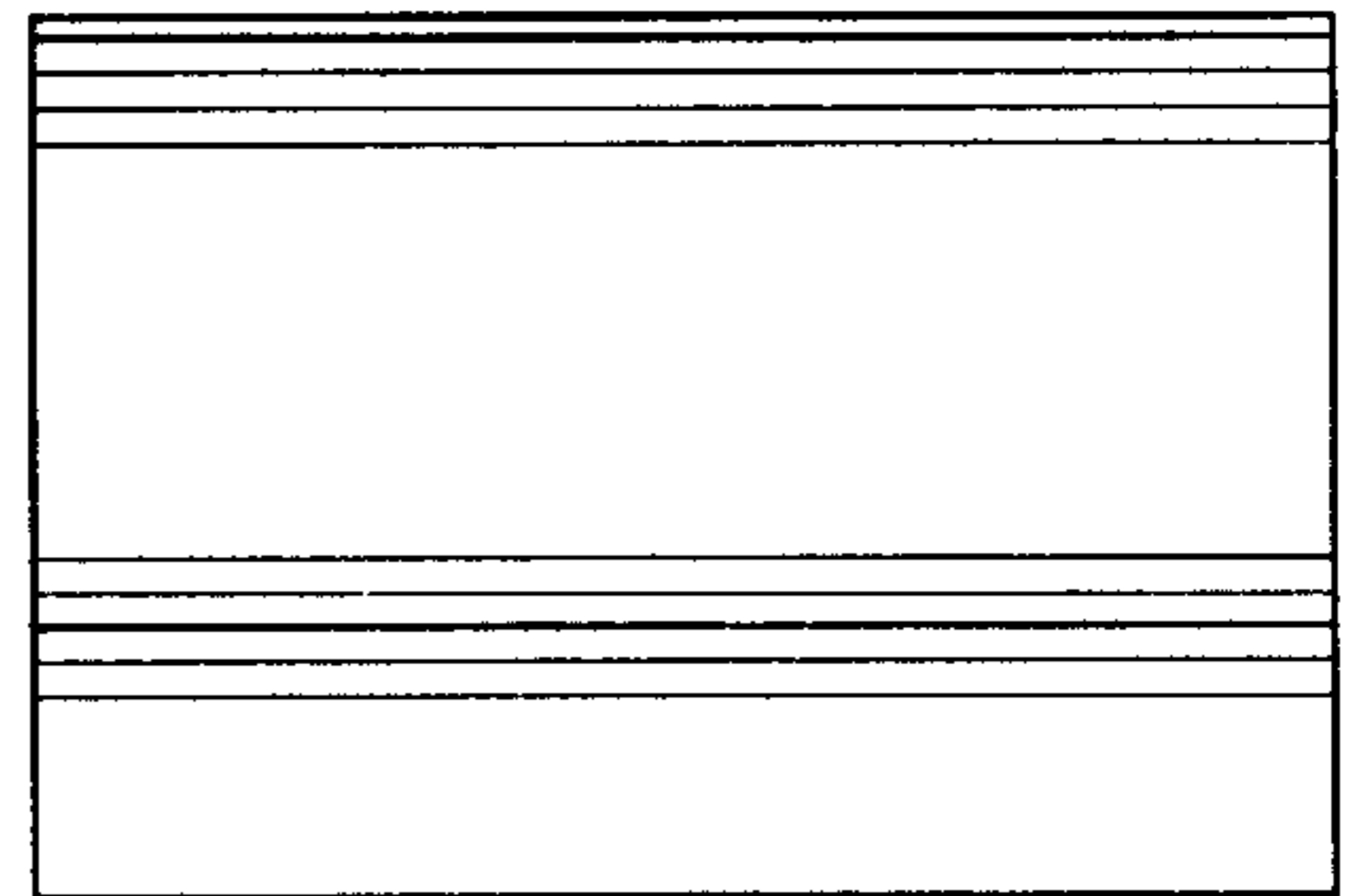


Fig-4

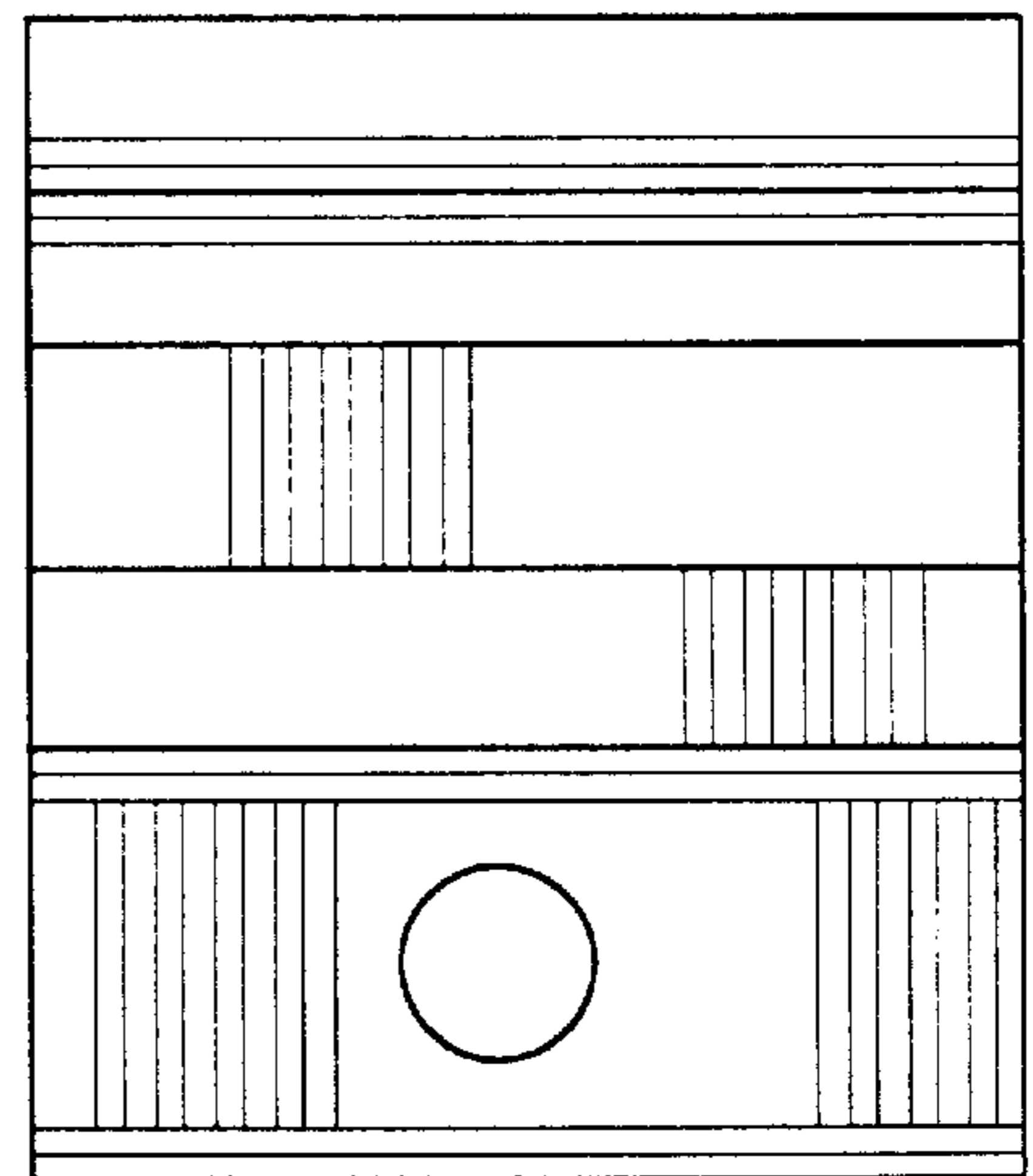
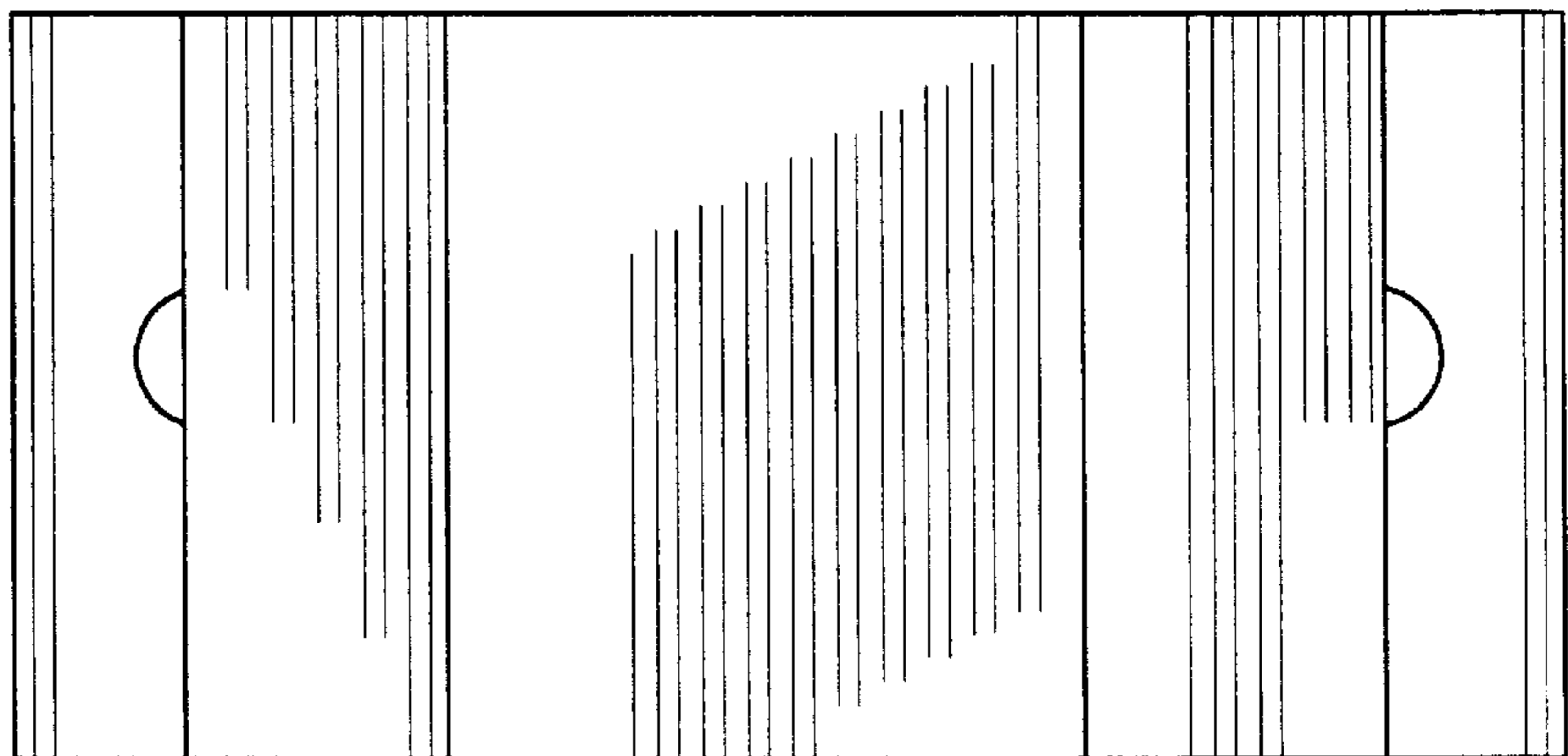
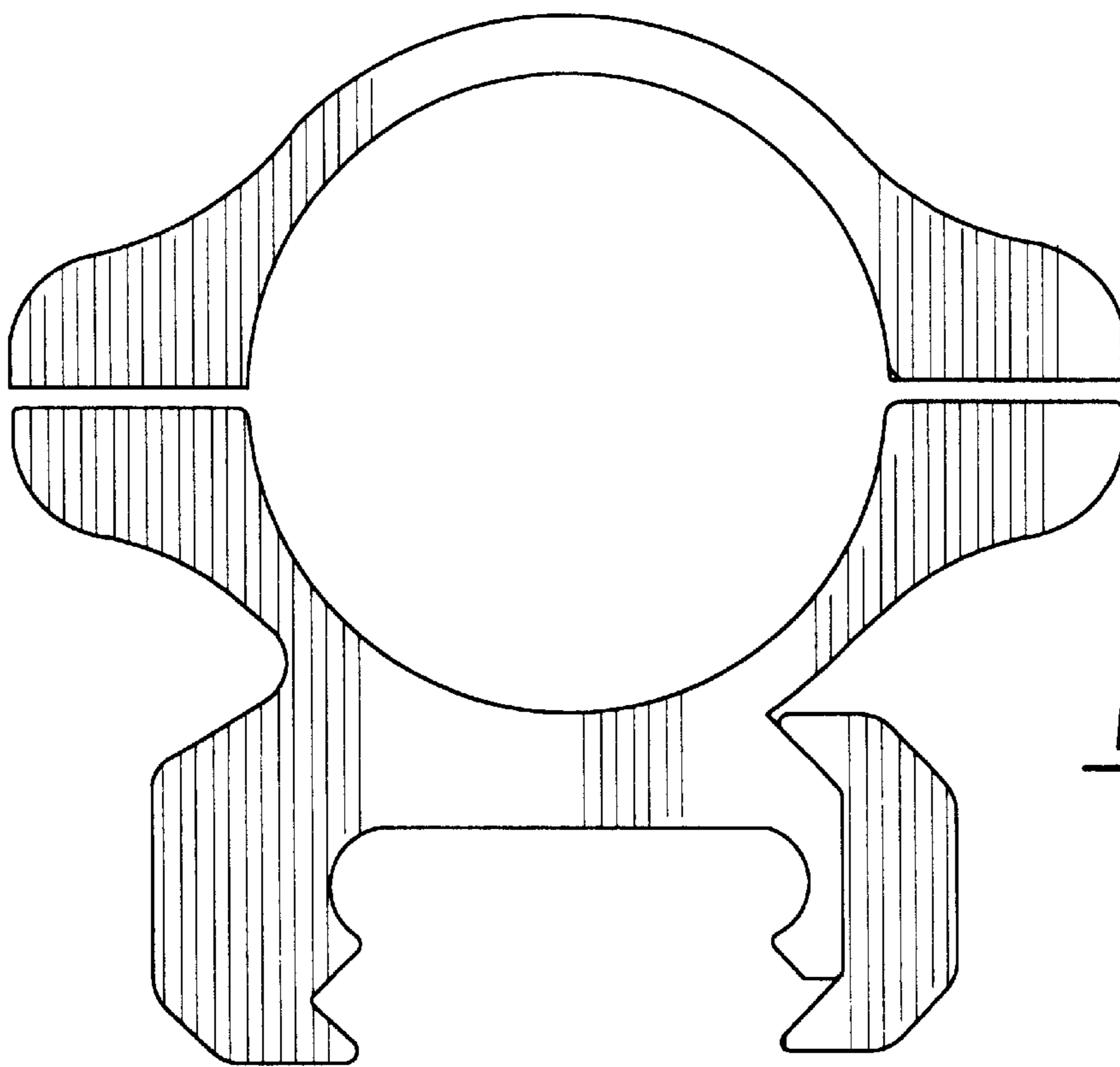
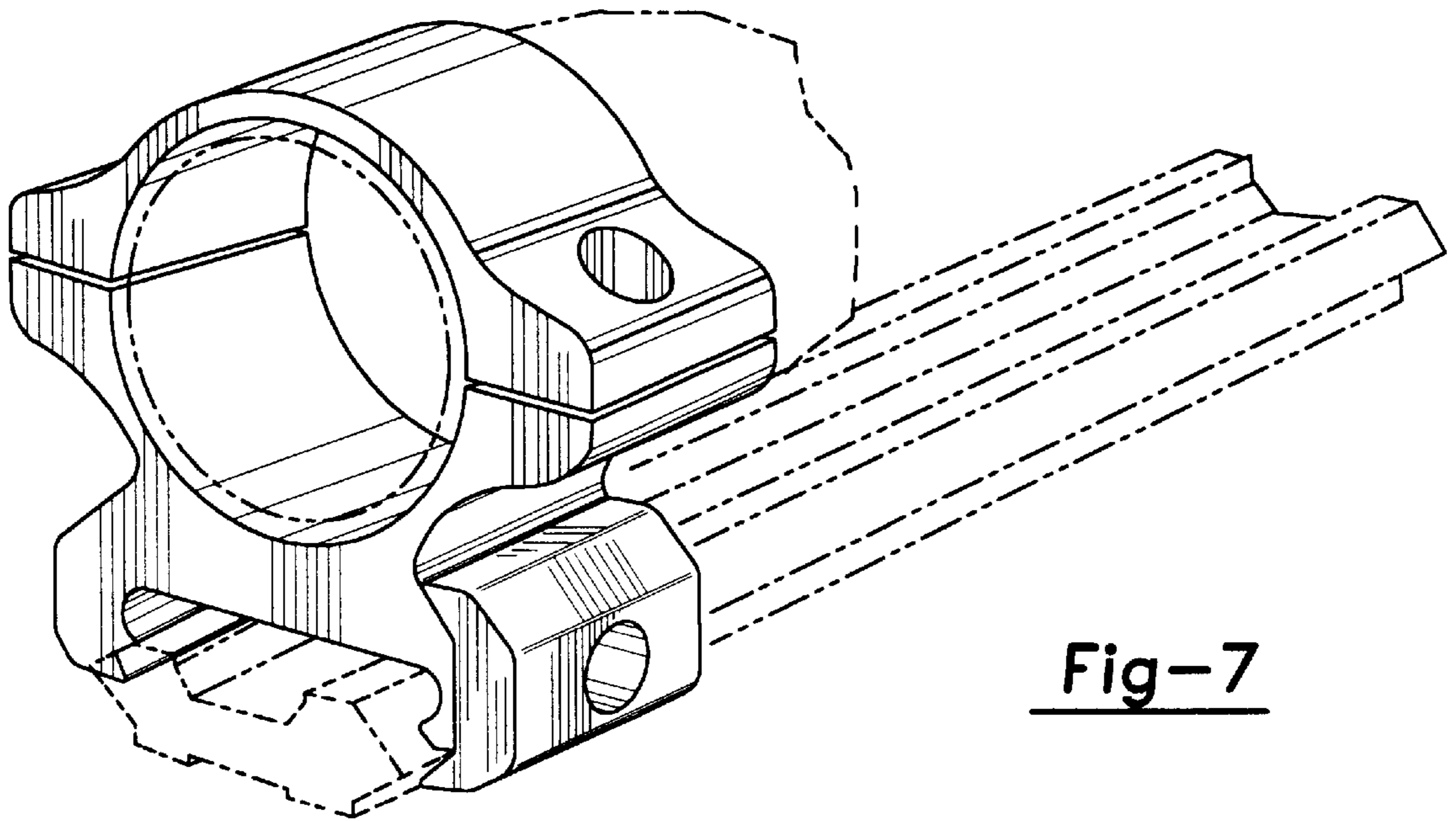


Fig-6





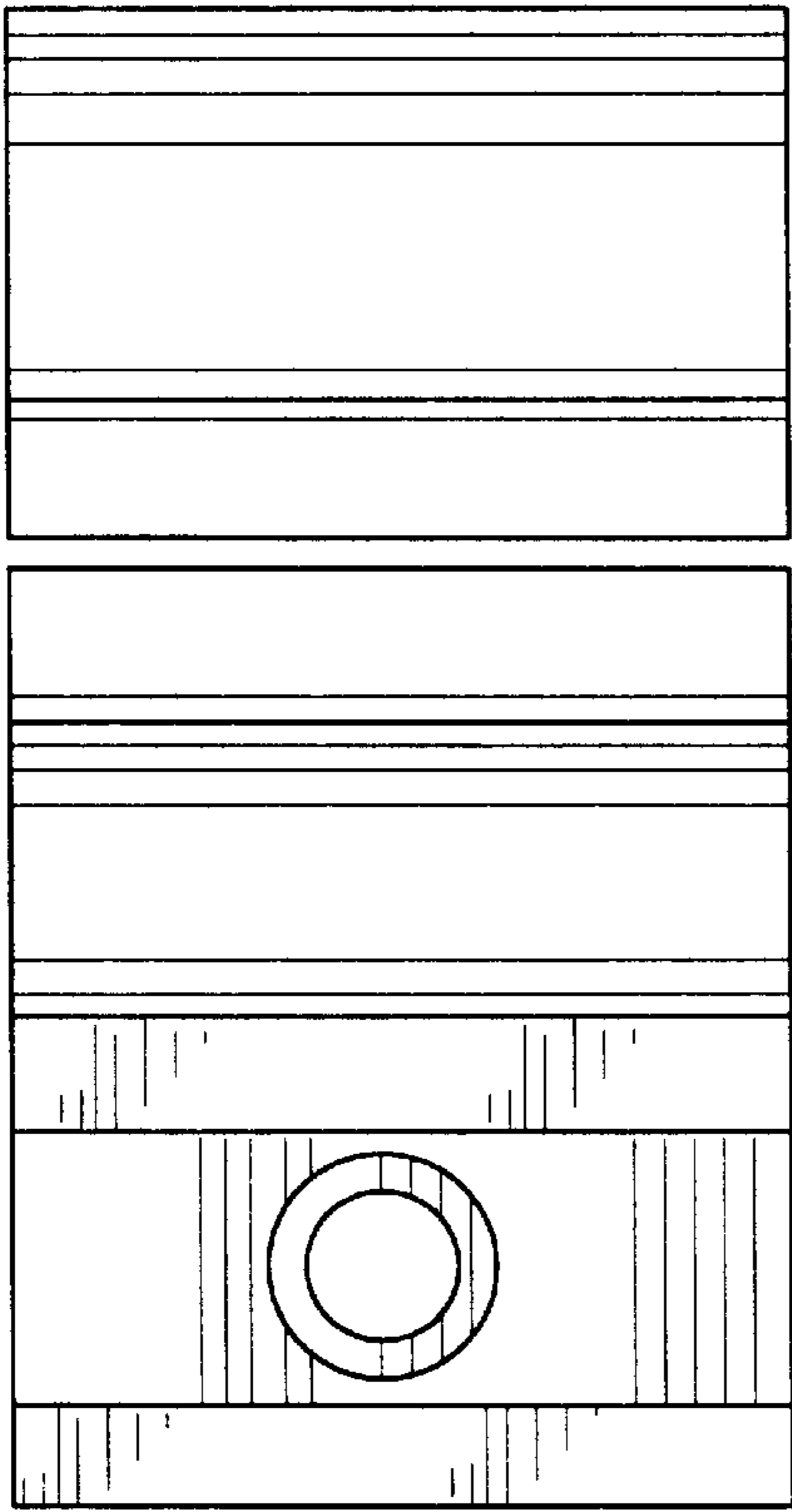


Fig-9

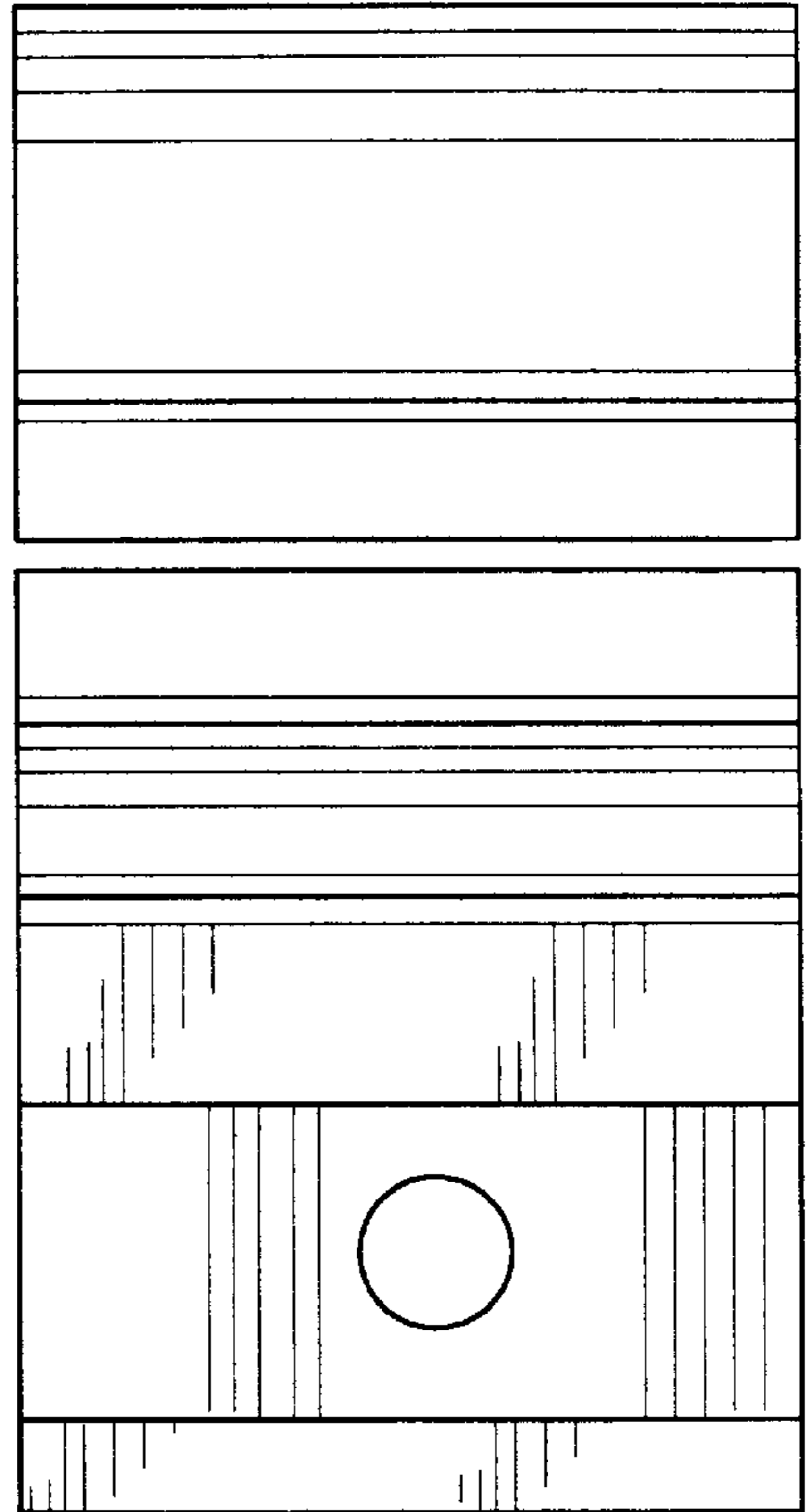


Fig-10

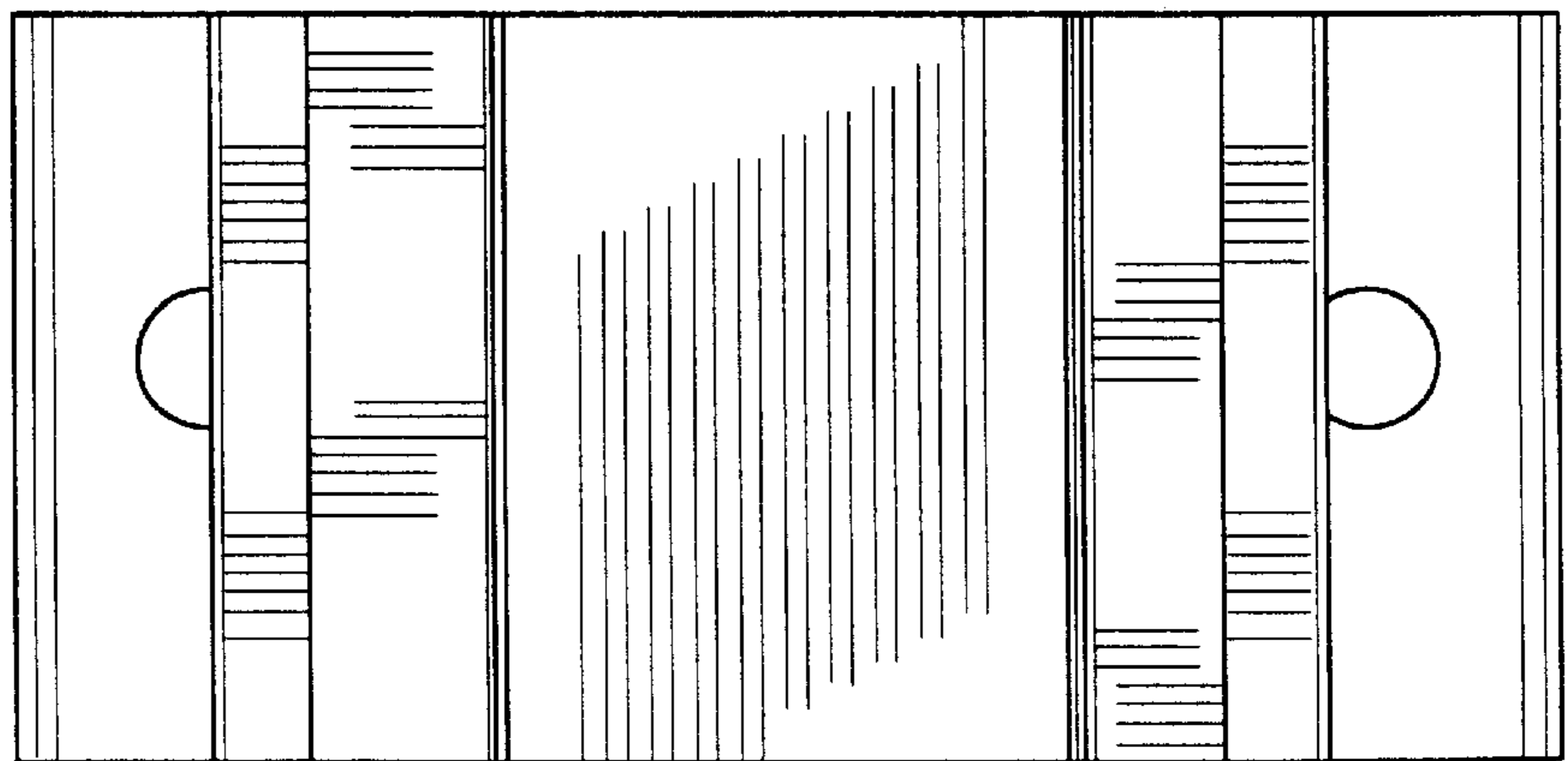


Fig-11