



US00D403392S

United States Patent [19]

[11] Patent Number: Des. 403,392

Briggs et al.

[45] Date of Patent: **Dec. 29, 1998

[54] SAW MILL PLAY STRUCTURE

[75] Inventors: **Rick A. Briggs**, Springfield, Ill.; **Mark Weston**; **Denise Weston**, both of North Attleboro, Mass.; **Brendon Cuddihee**, Eureka, Mo.

[73] Assignee: **SCS Interactive, Inc.**, Springfield, Ill.

[**] Term: **14 Years**

[21] Appl. No.: **79,378**

[22] Filed: **Nov. 14, 1997**

[51] **LOC (6) Cl.** **21-03**

[52] **U.S. Cl.** **D21/814**

[58] **Field of Search** D21/811, 822, D21/826, 823, 814, 818; D15/133; 241/82.4; 482/35, 36

[56] References Cited

U.S. PATENT DOCUMENTS

D. 241,664	9/1976	Ewers .	
D. 245,435	8/1977	Gnehm	D21/826
D. 330,579	10/1992	Briggs .	
D. 340,273	10/1993	Ezell .	
2,977,118	3/1961	Farks .	
3,633,560	1/1972	DeFreitas .	
3,866,916	2/1975	Clarke .	
4,014,540	3/1977	Caulkins .	
4,057,244	11/1977	Gaspar .	
4,159,113	6/1979	Callecod .	
4,262,900	4/1981	Vinson .	
5,176,060	1/1993	Thornton	241/82.4
5,194,048	3/1993	Briggs .	
5,378,197	1/1995	Briggs .	
5,417,435	5/1995	Peretz .	
5,435,570	7/1995	Labrasseur .	

OTHER PUBLICATIONS

Advertisement for *Mexico Forge*, 3800 Series. Drawing of Model 3813-311.

Advertisement for Yards of Fun Inc., containing a photo and drawings of various swing sets, appearing in *Playthings*, Sep. 1987, p. 61.

Advertisement for Sandman Playground Equipment™, containing a photograph of "The Christiana" playhouse.

Advertisement for Gym-Dandy®, date stamped Mar. 24, 1984.

Braunfelsbilt Products brochure, by New Braunfels General Store International, New Braunfels, Texas.

SCS Interactive Family Adventures Brochure, (Discovery Treehouse) by SCS Company of Tillamook, Oregon.

SCSCO Company Models 107-333 (Apr. 30, 1993) Model (Nov. 15, 1994), products brochures.

SoftPlay "Our Innovations Are in Play Around the World." (1994).

Specialty Products, Inc. Catalog (Nov. 1994).

Pentes Playbill Showtime 1995.

Pentes Playbill Autumn 1995.

Pentes Playbill Show Edition 1996.

Pentes Playbill Spring 1997.

Pentes Play Sampler Catalog (1995).

Creative Waterplay Components by SCS (Sep. 1989).

Splash Sep. 1989.

SCS Funhouse Brochure (Oct. 1997).

SCS Waterplay Arena Brochure (Oct. 1997).

SCS Pirate Fortress Brochure (May 1995).

SCS Family Caribbean Adventure (Feb. 1996).

Primary Examiner—Philip S. Hyder

Assistant Examiner—Mitchell I. Siegel

Attorney, Agent, or Firm—Knobbe, Martens, Olson & Bear, LLP

[57] CLAIM

The ornamental design for a saw mill play structure, as shown and described.

DESCRIPTION

FIG. 1 is a front elevational view of the saw mill play structure in accordance with the present invention;

FIG. 2 is an enlarged front elevational view of the log and simulated saw mill blade of FIG. 1, the undisclosed opposite side being substantially similar;

FIG. 3 is a left side view of FIG. 2;

FIG. 4 is a right side view of FIG. 2;

FIG. 5 is a top plan view of FIG. 2;

FIG. 6 is a bottom plan view of FIG. 2;

FIG. 7 is an enlarged front elevational view of the windmill and pulley operated pants lift as disclosed in FIG. 1;

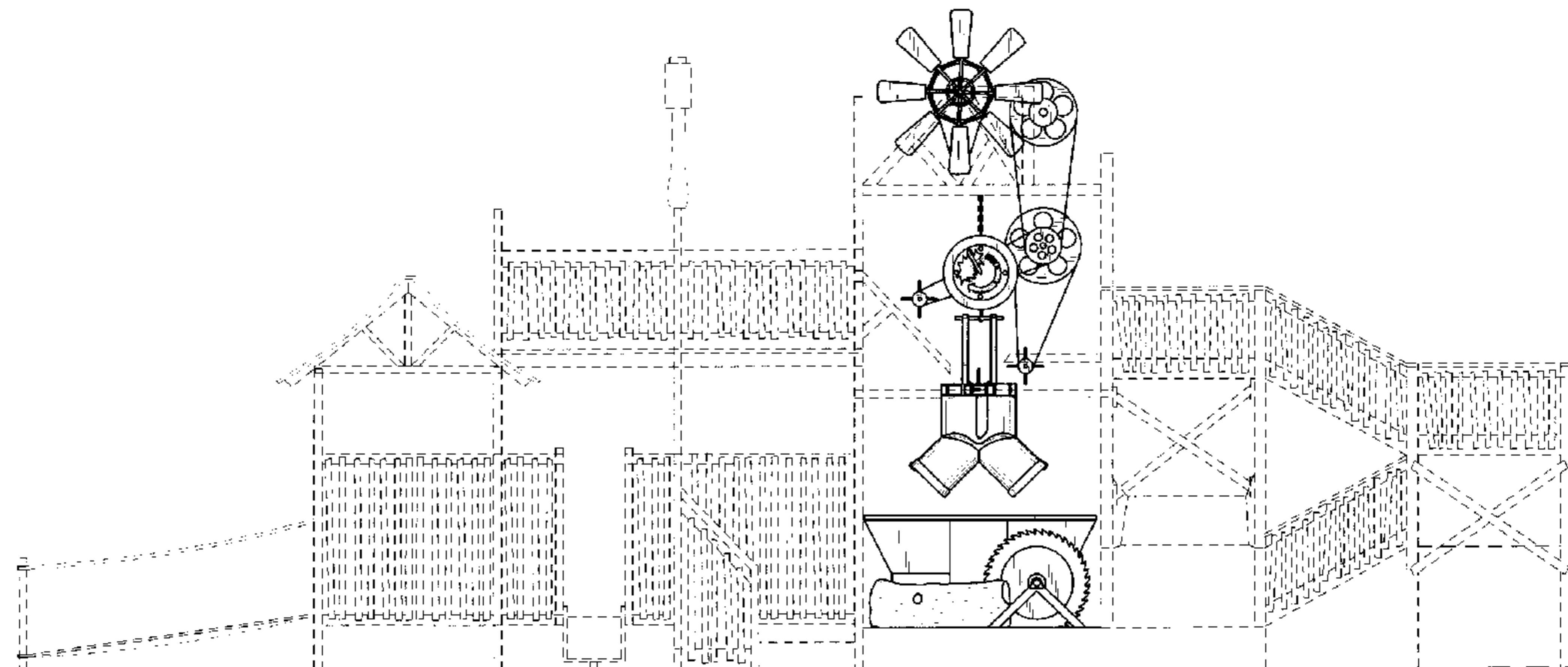


FIG. 8 is a rear elevational view of FIG. 7;
FIG. 9 is a right side view of FIG. 7;
FIG. 10 is a left side view of FIG. 7;
FIG. 11 is a top plan view of FIG. 7; and,
FIG. 12 is a bottom plan view of FIG. 7.

The broken line showing of a play structure in FIGS. 1 and 7-10 is for illustrative purposes only and forms no part of the claimed design.

1 Claim, 5 Drawing Sheets

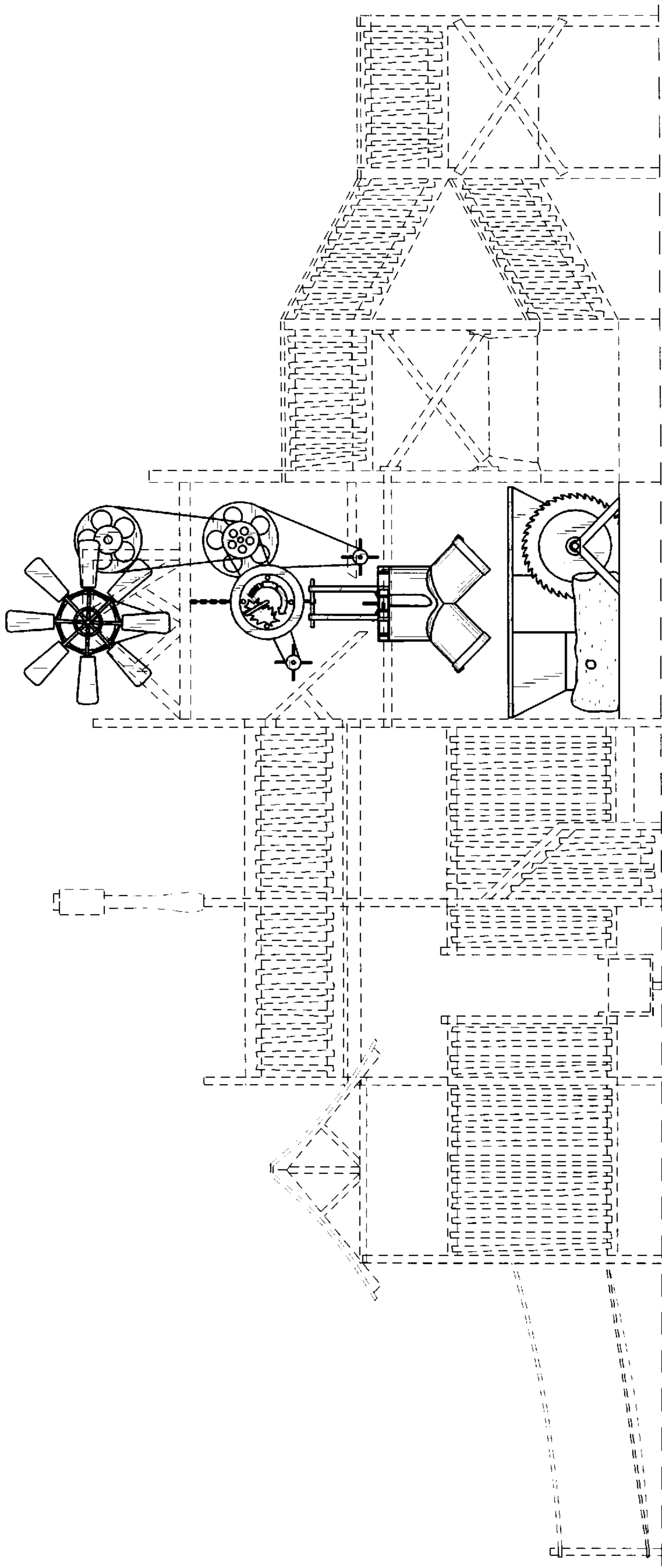


FIG. 1

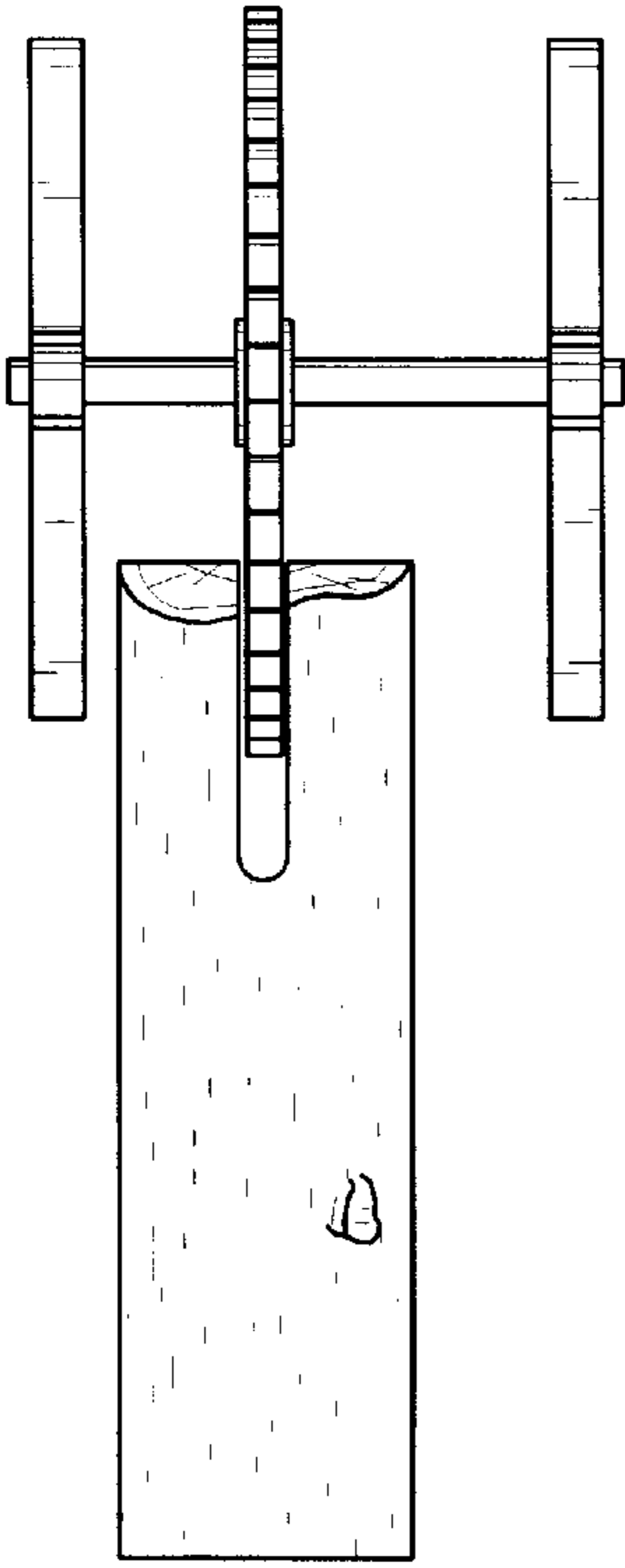


FIG. 5

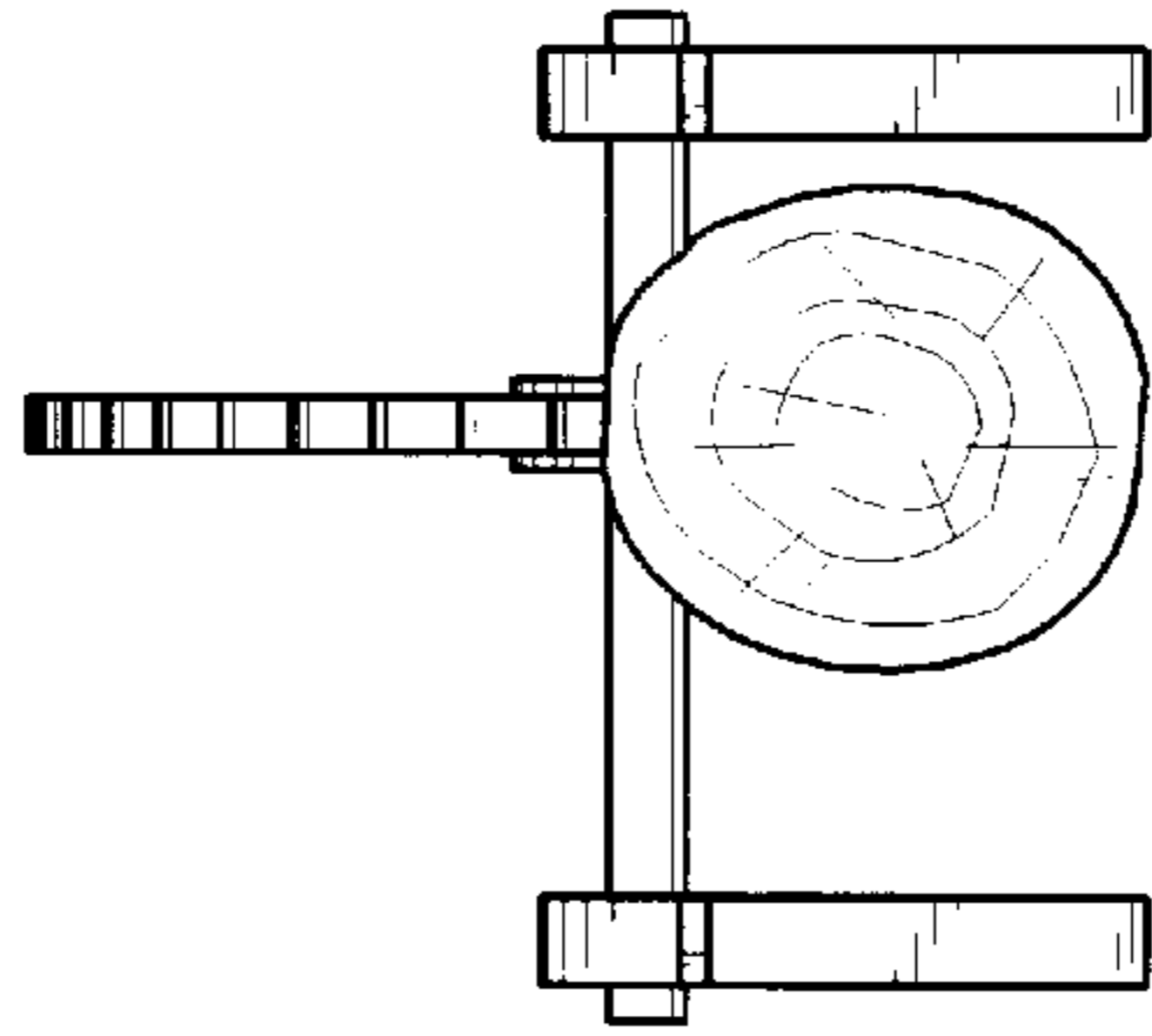


FIG. 3

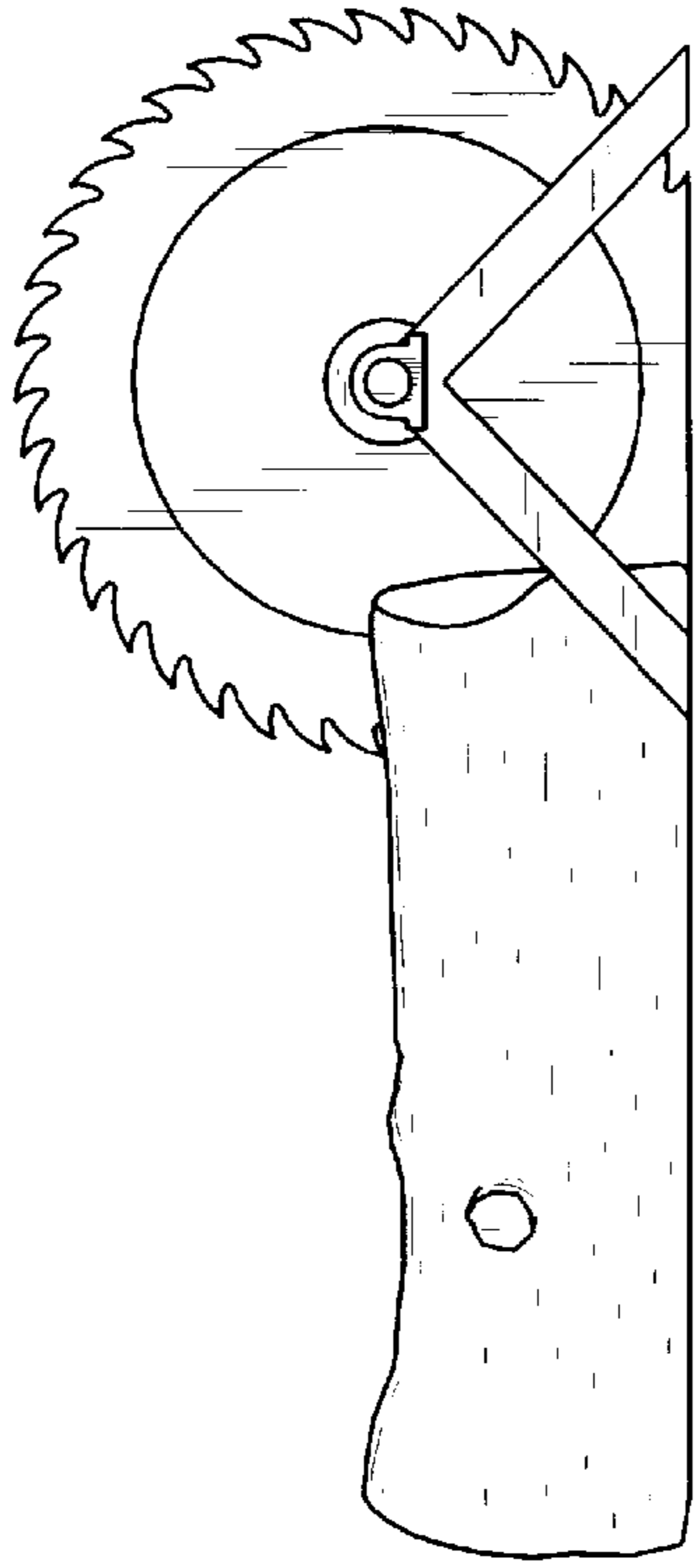


FIG. 2

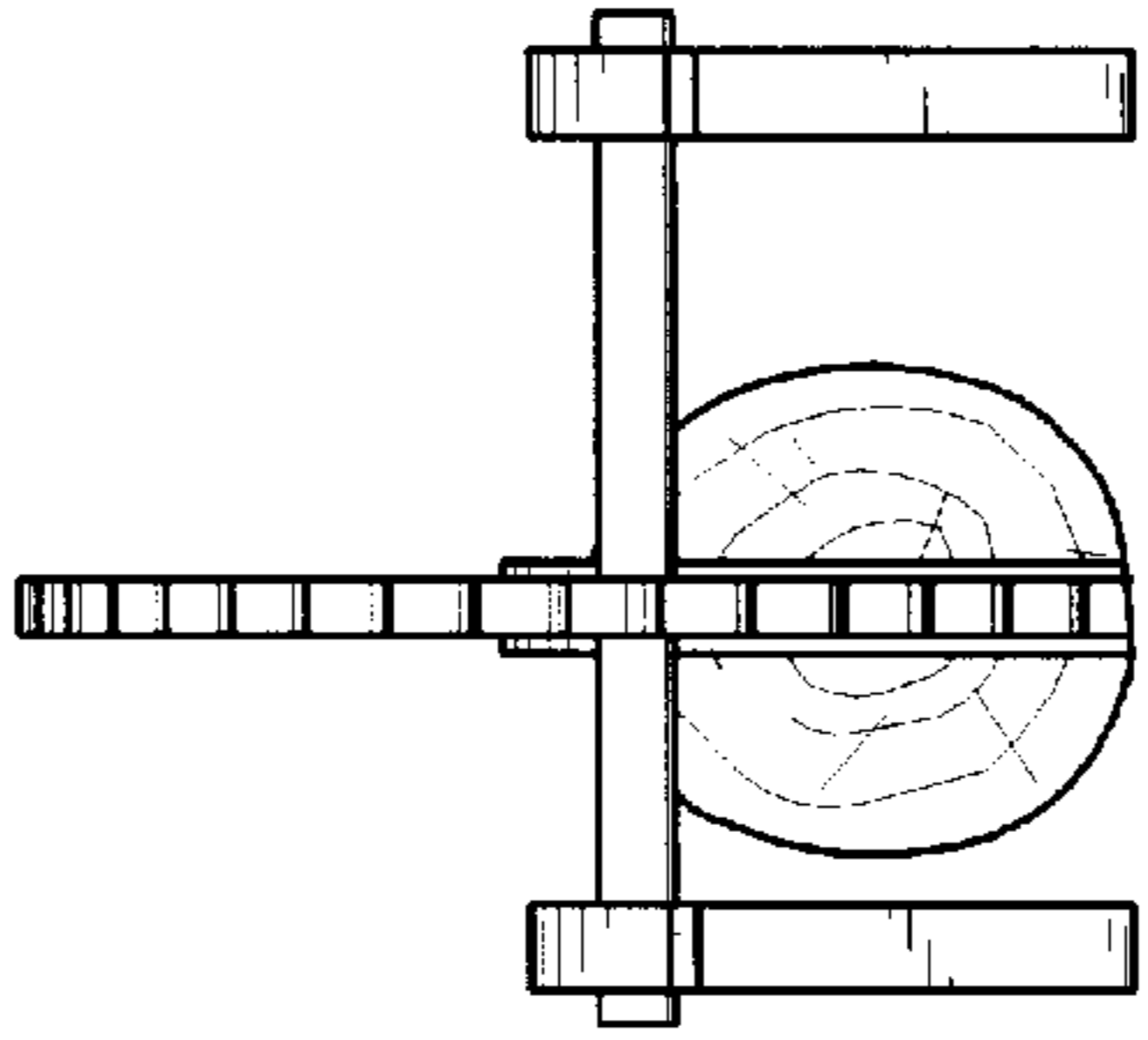


FIG. 4

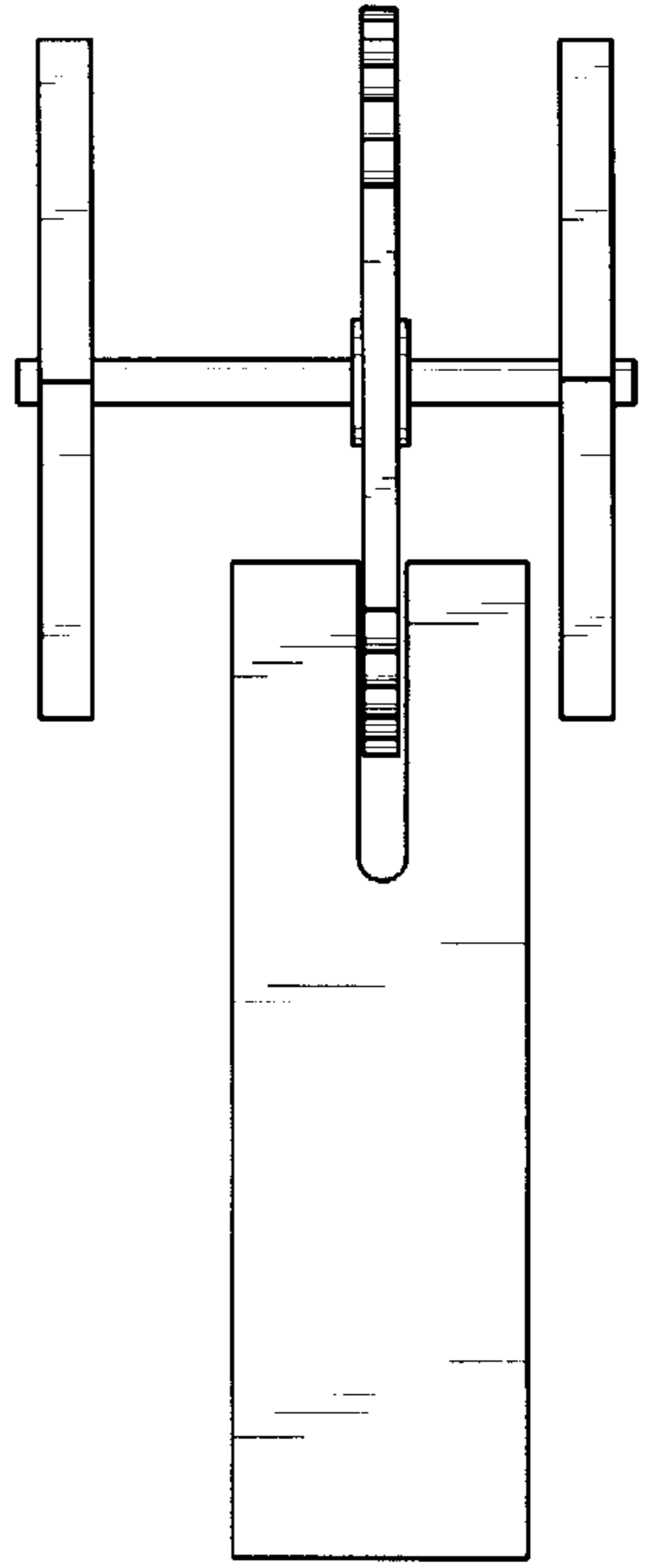


FIG. 6

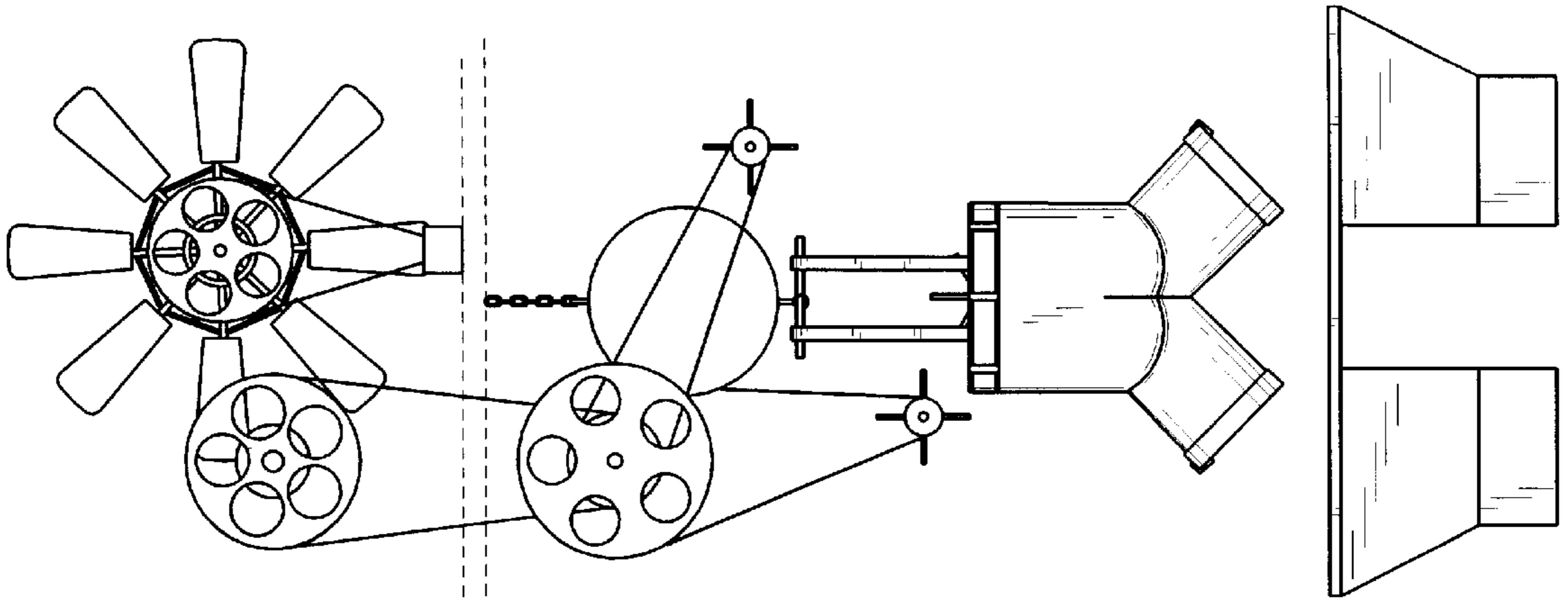


FIG. 8

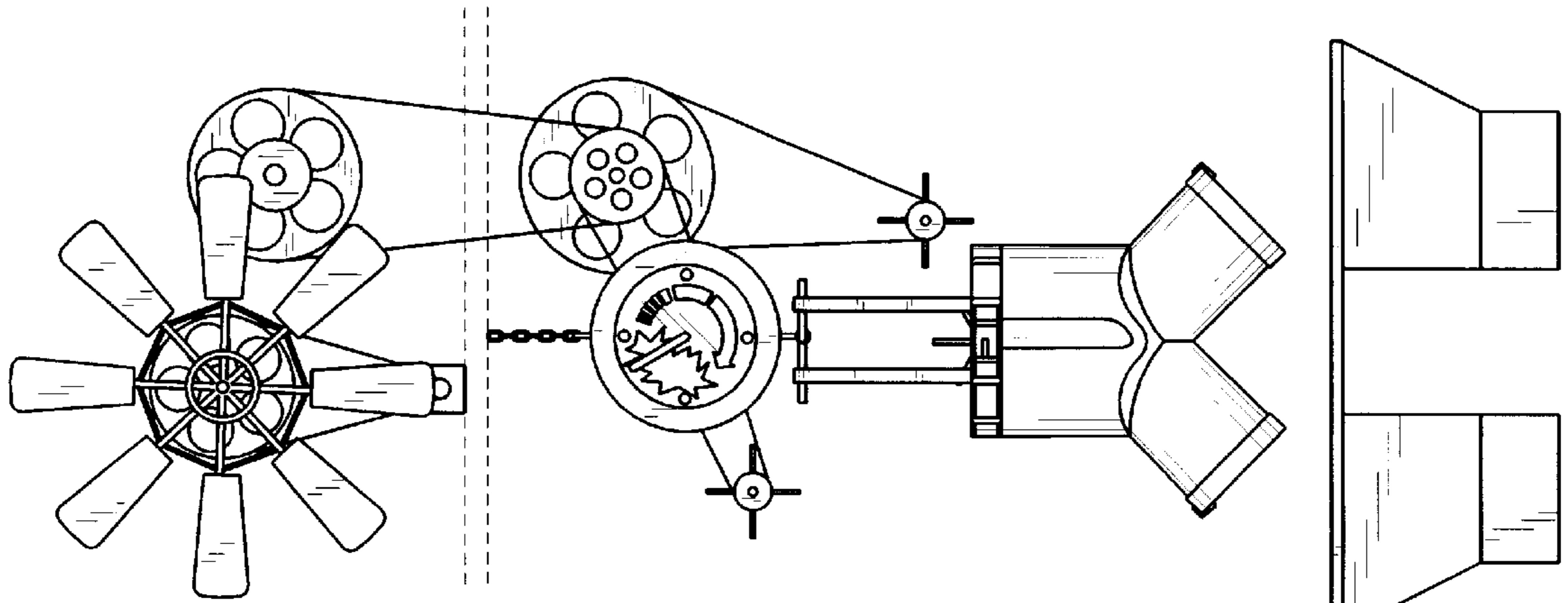


FIG. 7

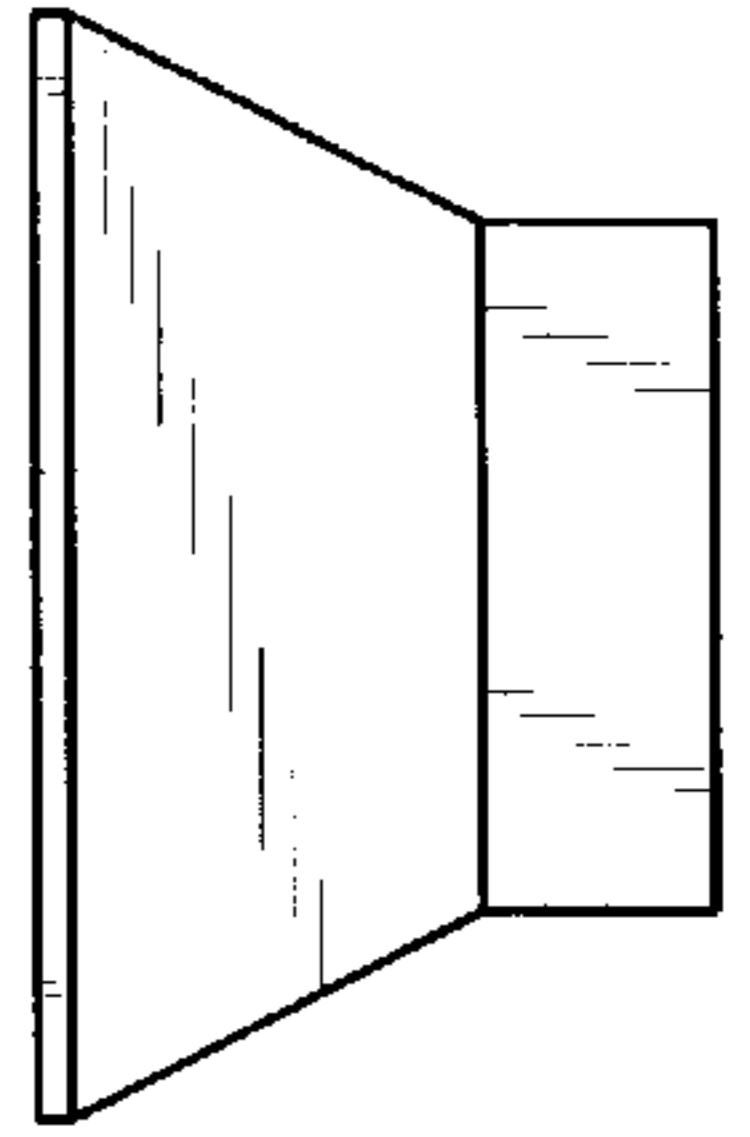
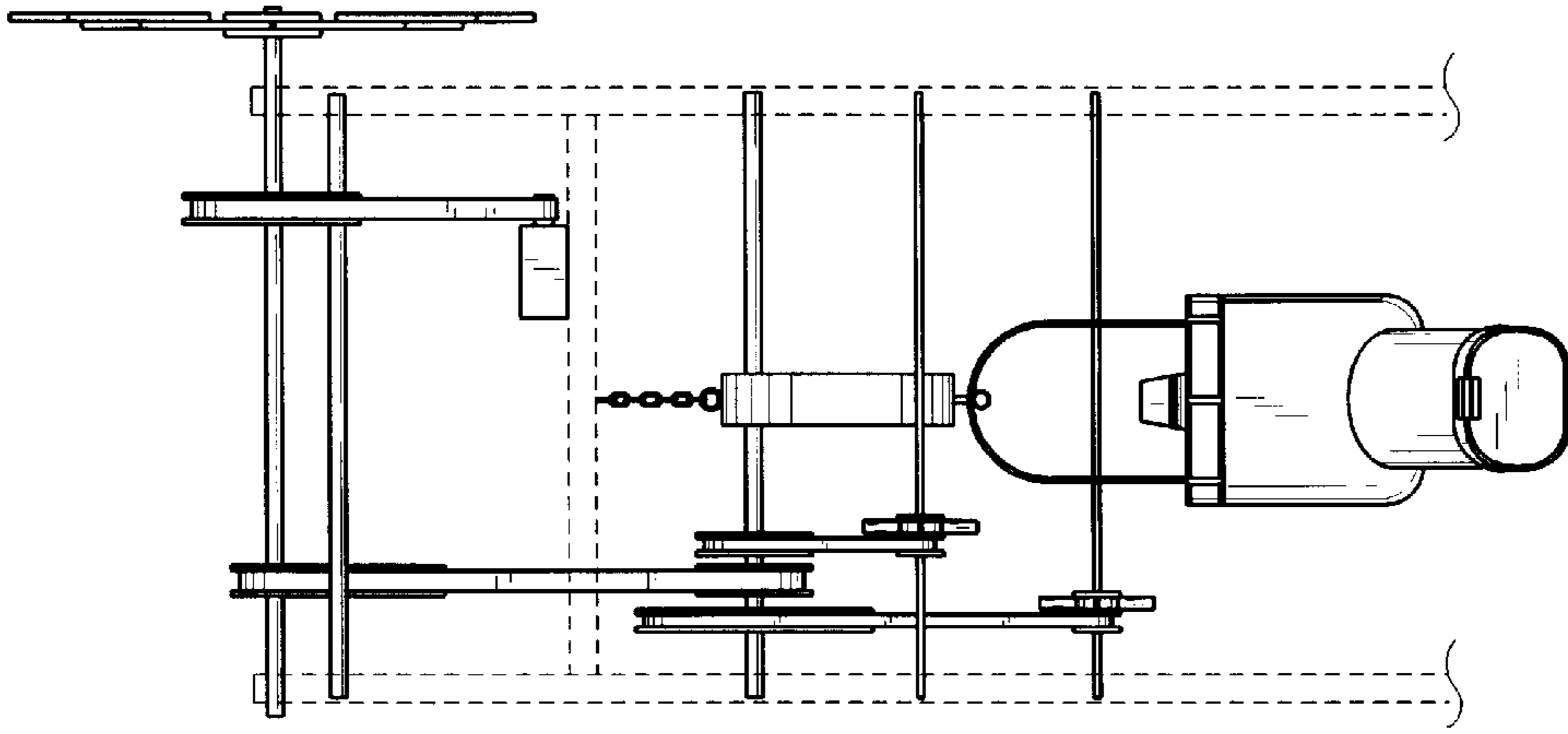


FIG. 10

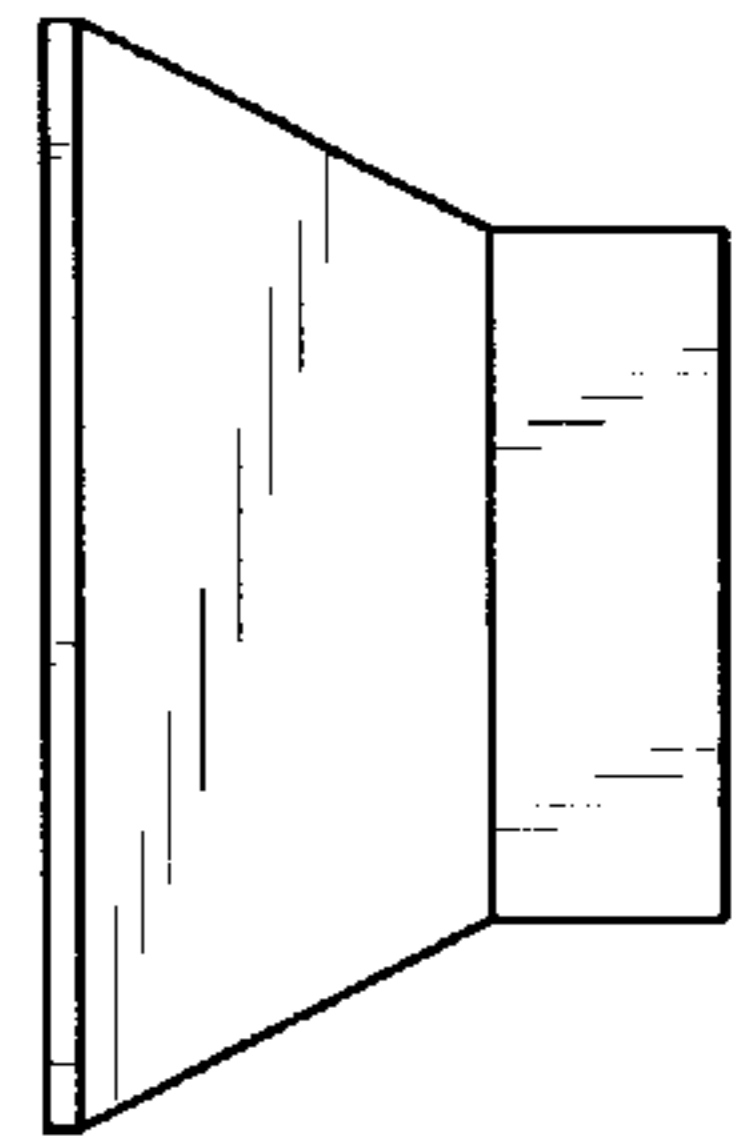
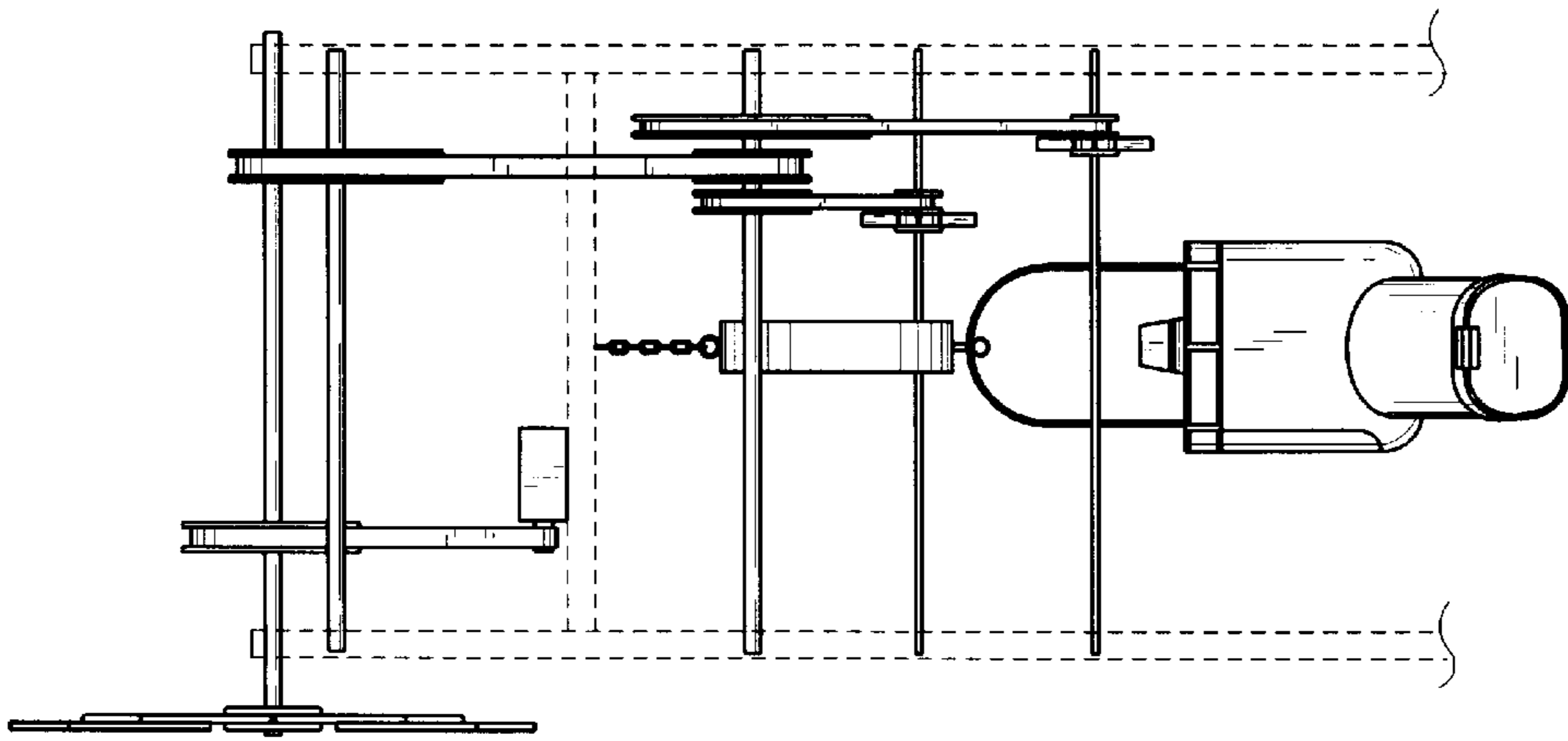


FIG. 9

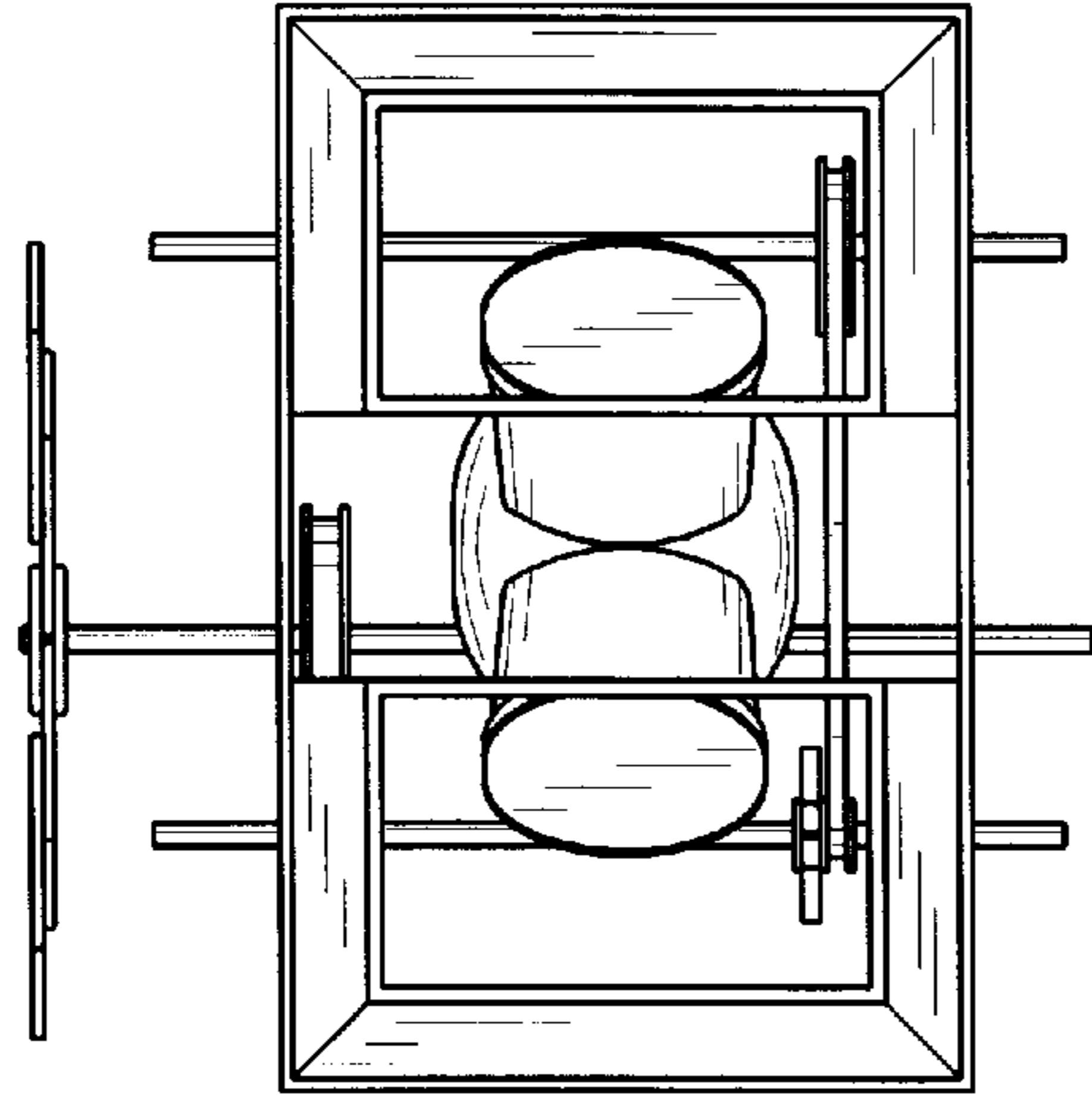


FIG. 12

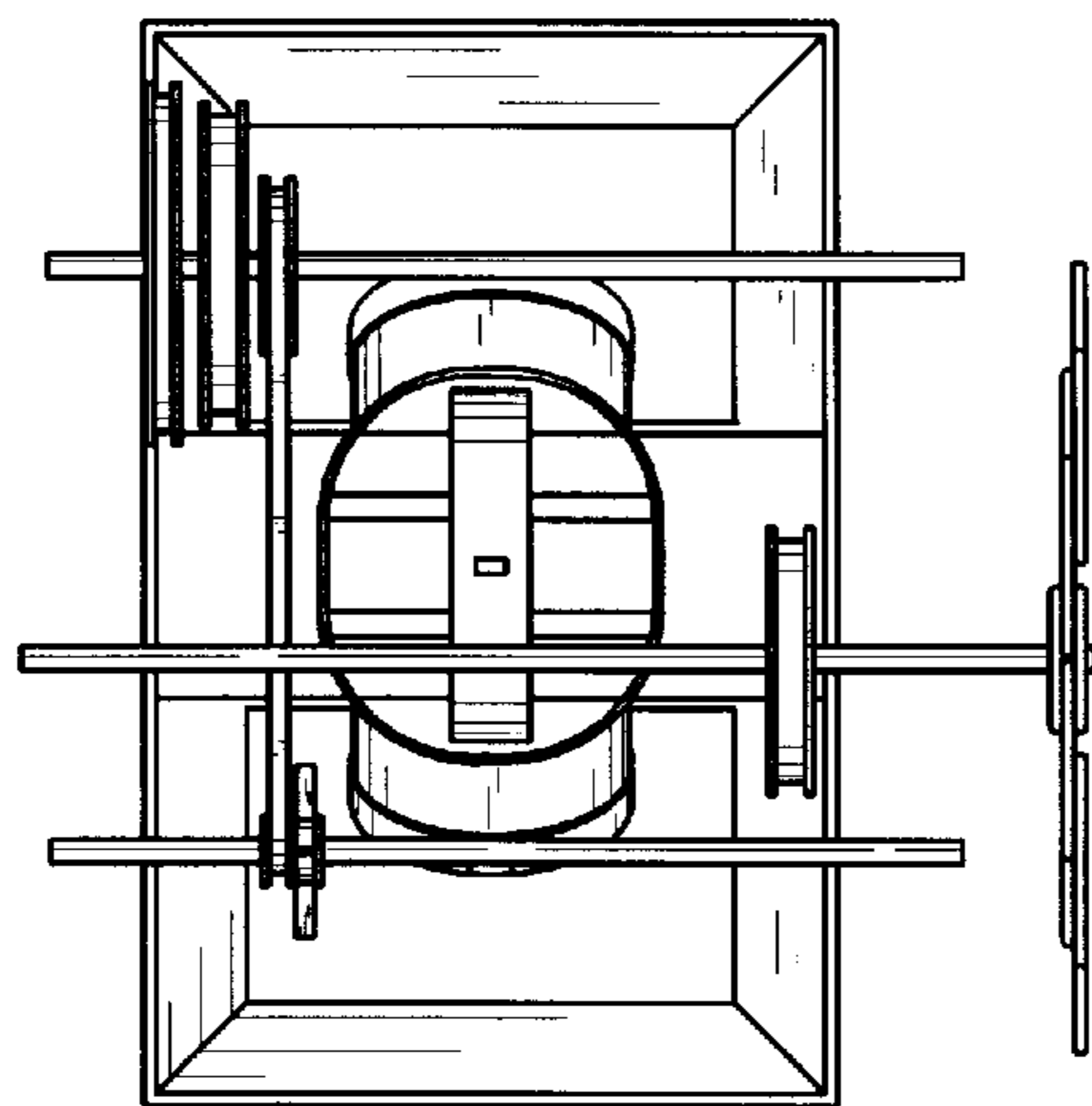


FIG. 11