



US00D403387S

United States Patent [19]
Bloomer

[11] **Patent Number: Des. 403,387**

[45] **Date of Patent: **Dec. 29, 1998**

[54] **TRANSPARENT GOLF PUTTER HEAD**

[76] Inventor: **William Bloomer**, 42110 8th St. East,
Lancaster, Calif. 93535

[**] Term: **14 Years**

[21] Appl. No.: **85,399**

[22] Filed: **Mar. 23, 1998**

[51] **LOC (6) Cl.** **21-02**

[52] **U.S. Cl.** **D21/736**

[58] **Field of Search** D21/736-746;
473/250-256, 340, 341

[56] **References Cited**

U.S. PATENT DOCUMENTS

D. 300,839	4/1989	Dupont	D21/738
D. 317,193	5/1991	Florian	D21/735
D. 325,414	4/1992	Woolsey	D21/737
D. 367,691	3/1996	Lee et al.	D21/742
4,222,566	9/1980	Berry	473/250

Primary Examiner—Ted Shooman
Assistant Examiner—Mitchell I. Siegel
Attorney, Agent, or Firm—Roger A. Marrs

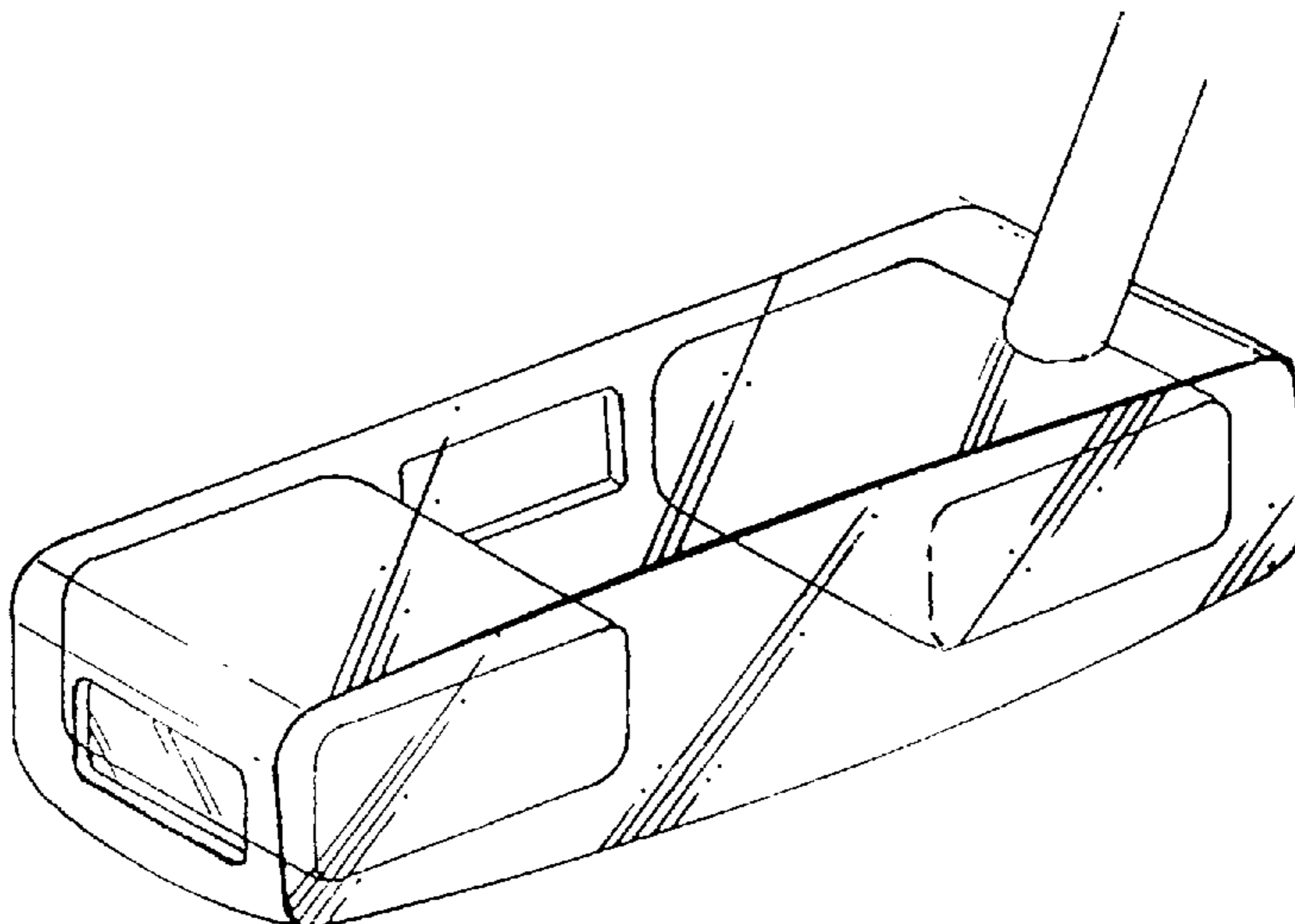
[57] **CLAIM**

The ornamental design for transparent golf putter head, as shown and described.

DESCRIPTION

FIG. 1 is a front perspective view of a transparent golf putter head showing my new design;
FIG. 2 is a top plan view thereof;
FIG. 3 is a front elevational view thereof;
FIG. 4 is a side elevational view with the opposite side being a mirror image thereof;
FIG. 5 is a rear elevational view thereof; and,
FIG. 6 is a rear perspective view.
The bottom view is plain and unadorned and the broken line showing of a golf club shaft is for illustrative purposes only and does not form a part of the invention.

1 Claim, 1 Drawing Sheet



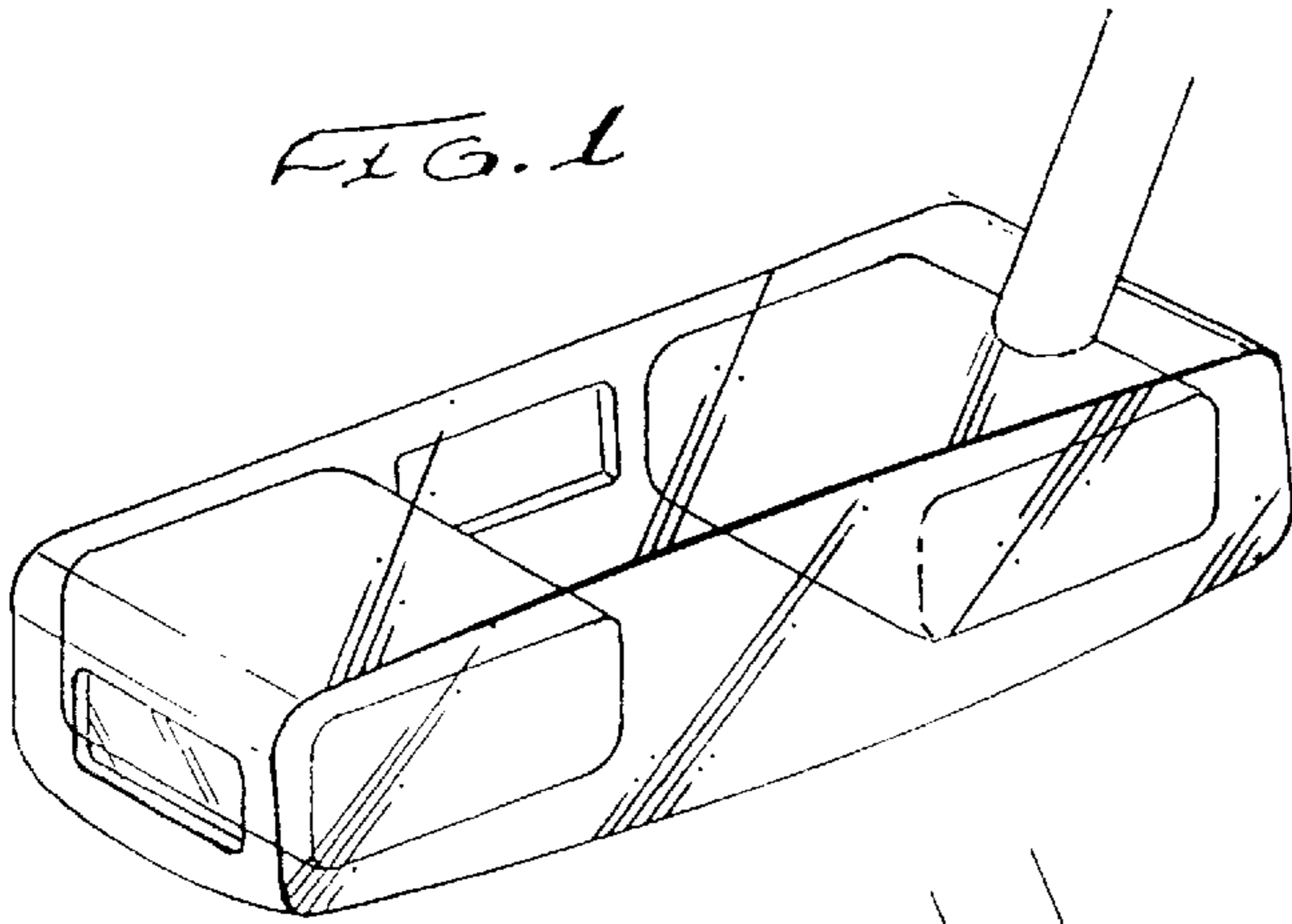


FIG. 1

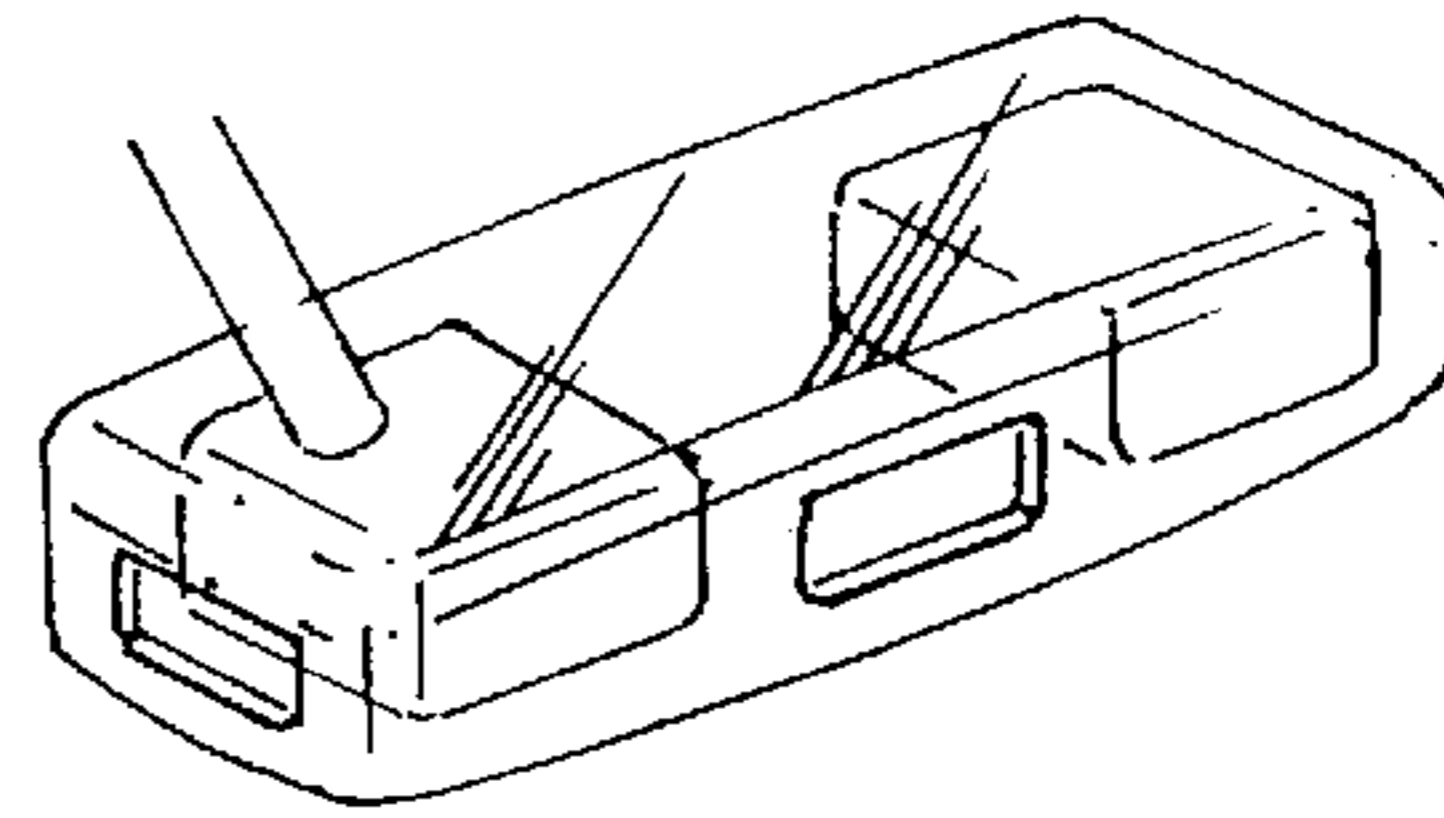


FIG. 6

FIG. 5

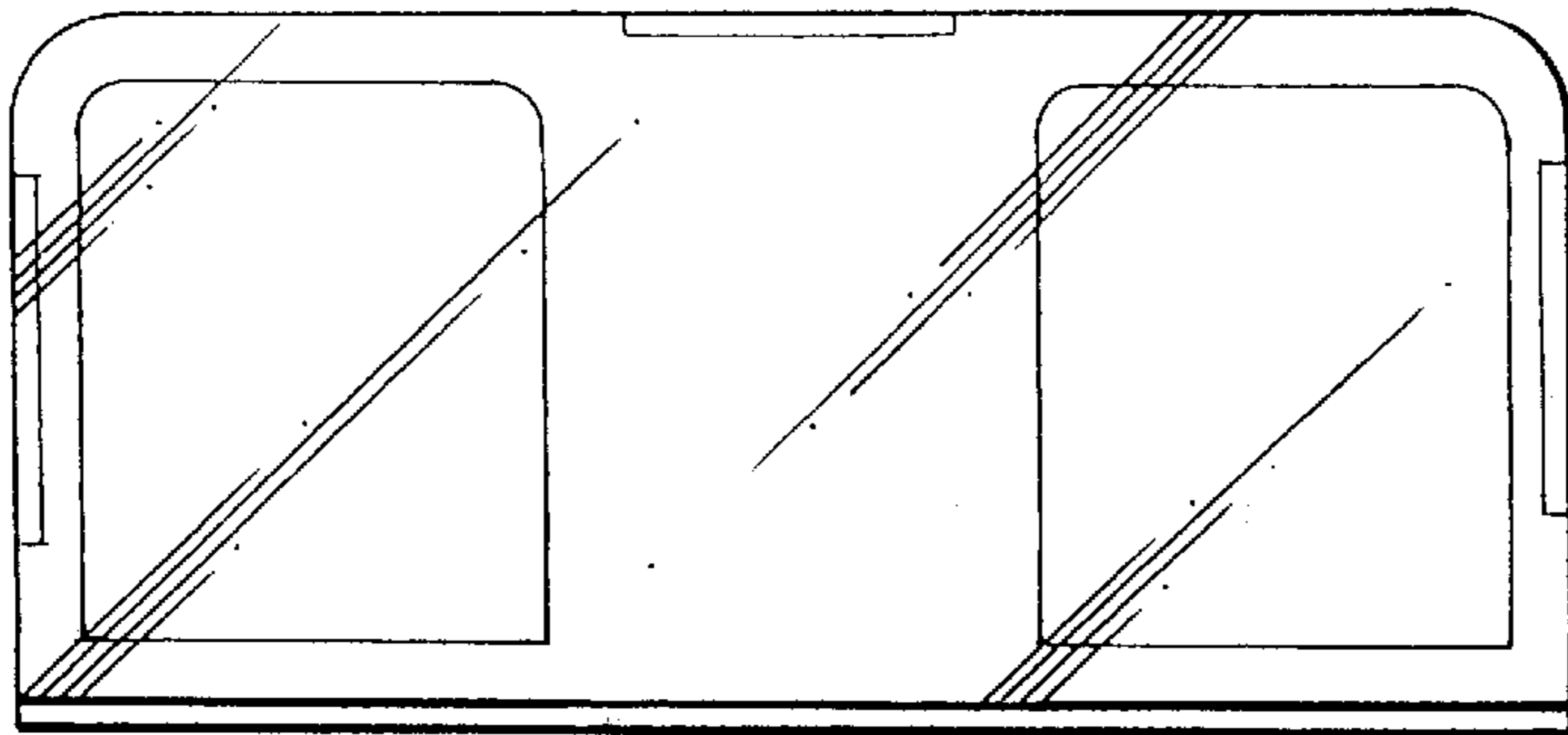
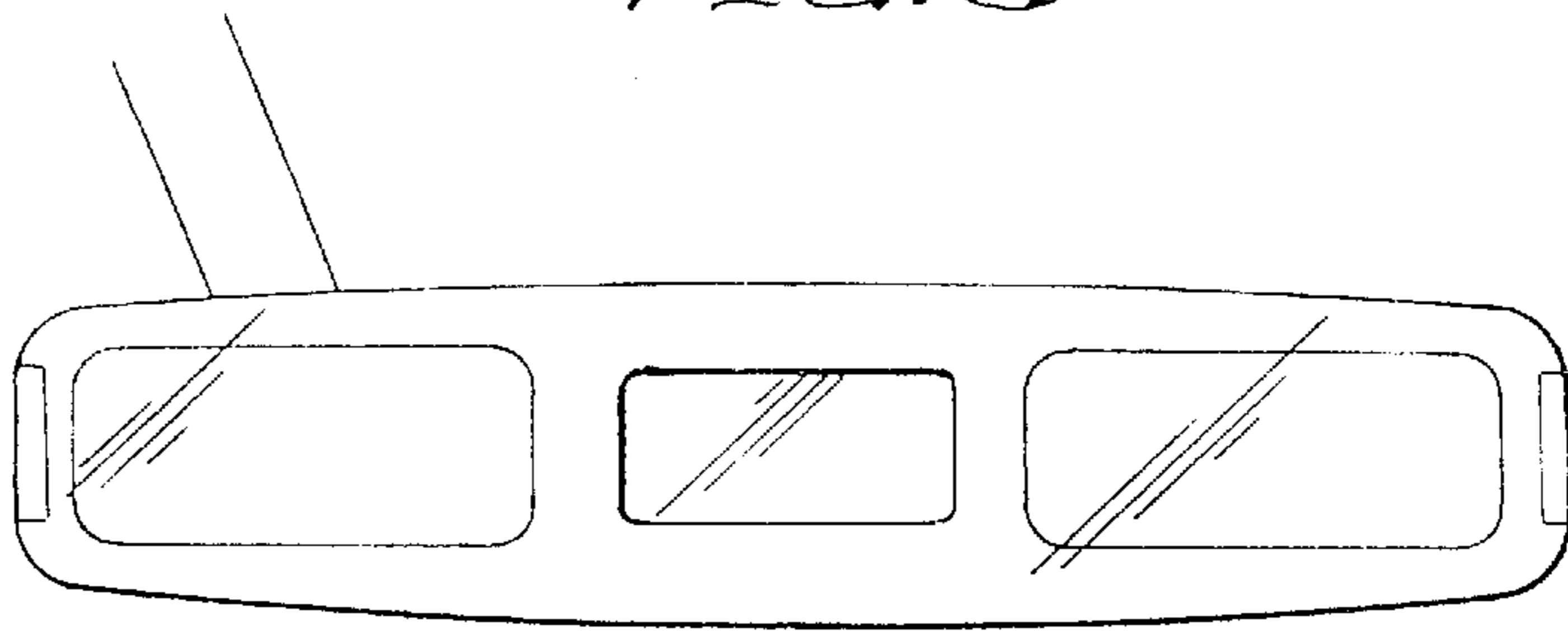


FIG. 2

FIG. 3

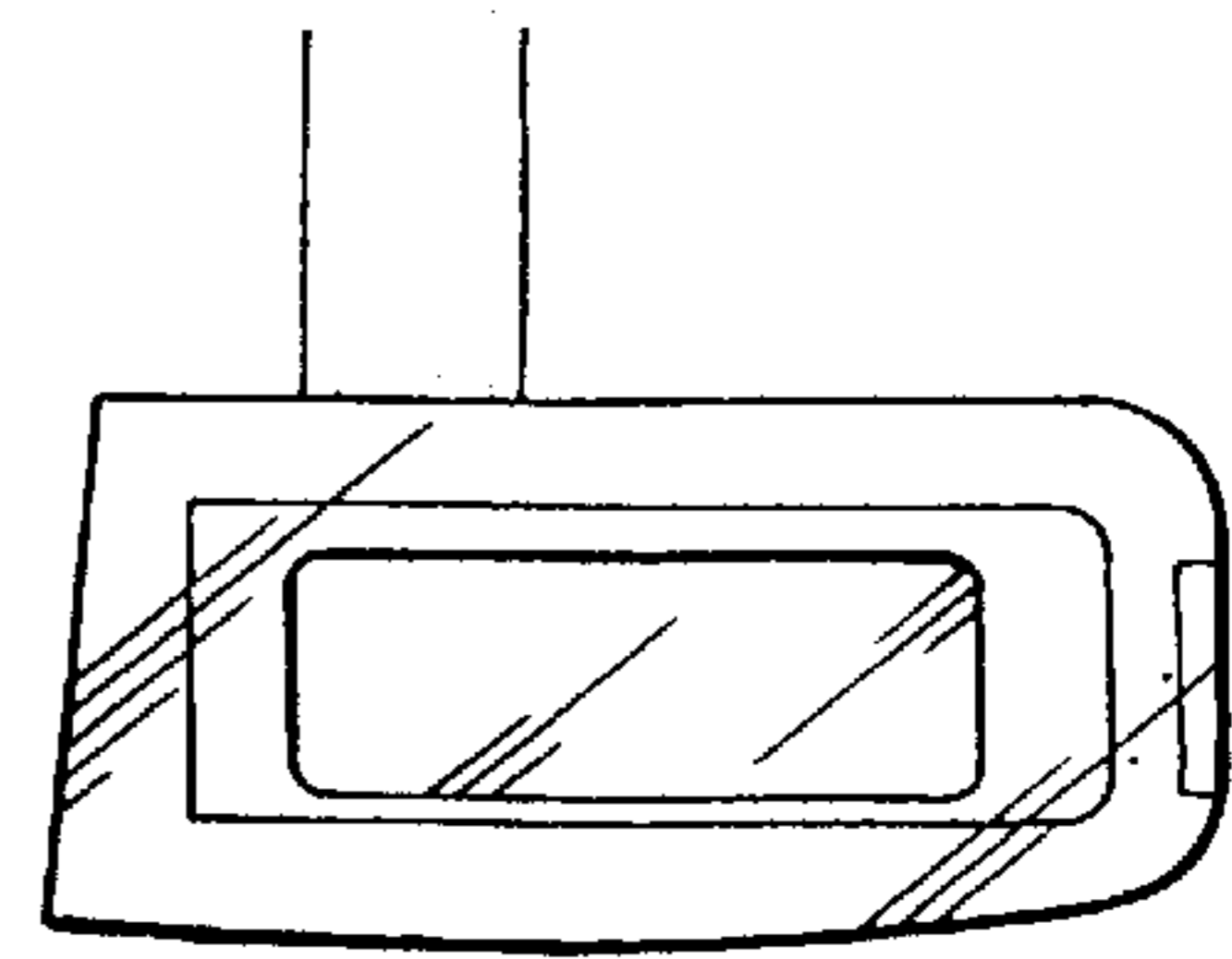
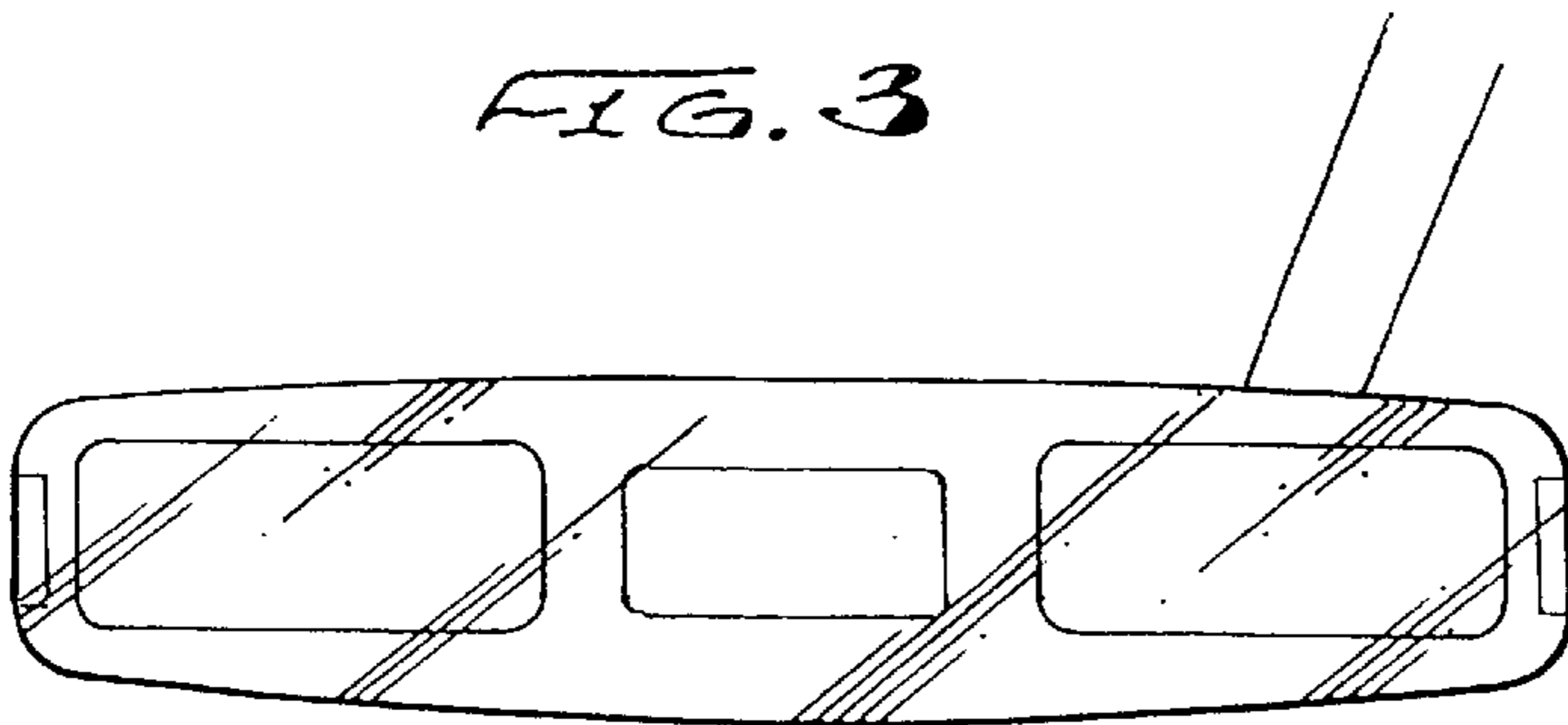


FIG. 4