



US00D403384S

United States Patent [19]
Clark et al.

[11] **Patent Number: Des. 403,384**
[45] **Date of Patent: **Dec. 29, 1998**

[54] **EXERCISE DEVICE**

[76] Inventors: **Ronald Clark**, 6161 CR 207,
Millersburg, Ohio 44654; **Frank Vranovich**, 3737 Limdbergh Way,
Weirton, W. Va. 26062

[**] Term: **14 Years**

[21] Appl. No.: **80,317**

[22] Filed: **Dec. 4, 1997**

[51] **LOC (6) Cl.** **21-02**

[52] **U.S. Cl.** **D21/684**

[58] **Field of Search** D21/191, 196,
D21/197, 198; 482/45, 120, 92, 93, 98,
99

[56] **References Cited**

U.S. PATENT DOCUMENTS

- D. 264,237 5/1982 McCaleb et al. D21/198
- D. 378,386 3/1997 Brubaker D21/191

- 3,982,755 9/1976 Sarich 482/93
- 4,438,920 3/1984 Veillette 482/93
- 5,060,993 10/1991 Cedro 482/93
- 5,312,309 5/1994 Fox 482/120
- 5,380,261 1/1995 Mora 482/93

Primary Examiner—Philip S. Hyder
Attorney, Agent, or Firm—Bruce A. Tassan, Esq.

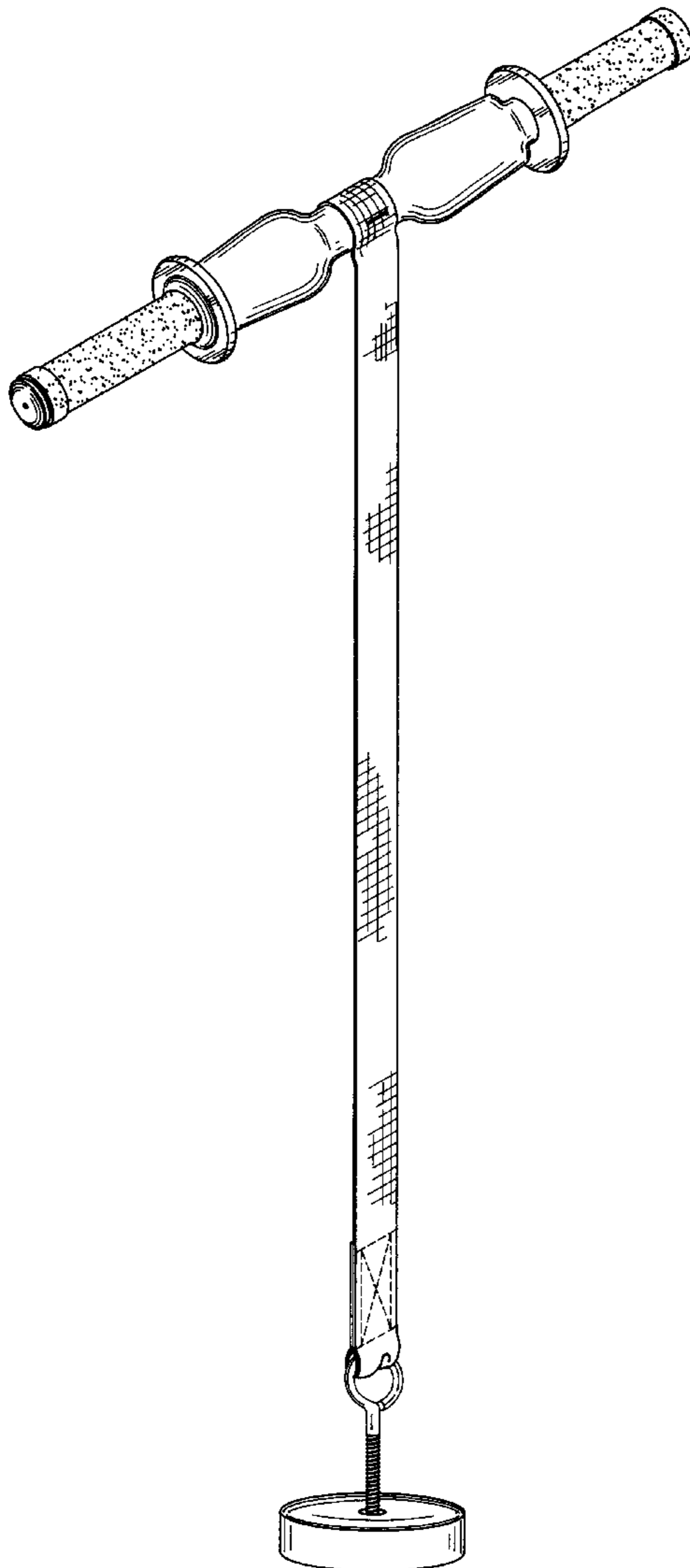
[57] **CLAIM**

The ornamental design for an exercise device, as shown and described.

DESCRIPTION

FIG. 1 is a perspective view of an exercise device showing our new design;
FIG. 2 is a front elevational view thereof;
FIG. 3 is a back elevational view thereof;
FIG. 4 is a left side view thereof;
FIG. 5 is a right side view thereof;
FIG. 6 is a top plan view thereof; and,
FIG. 7 is a bottom plan view thereof.

1 Claim, 5 Drawing Sheets



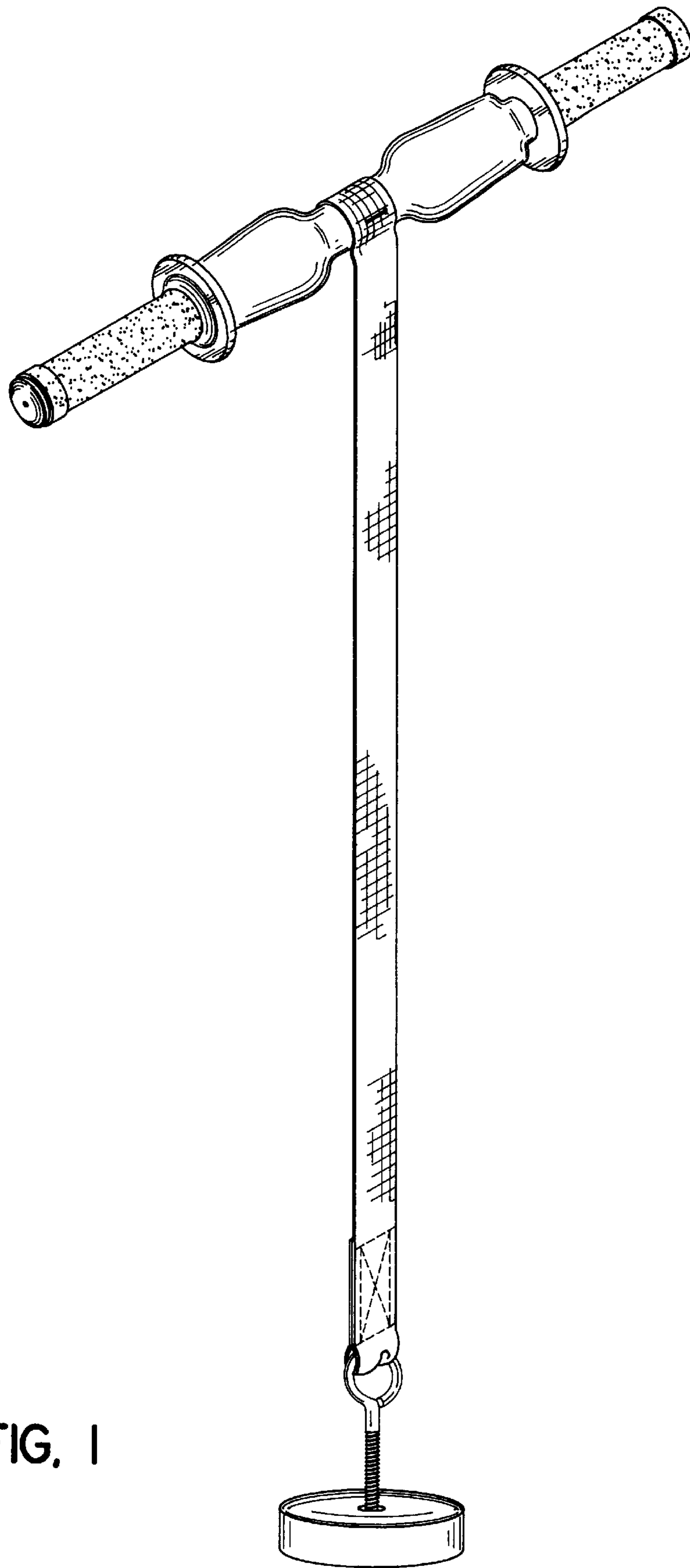


FIG. 1

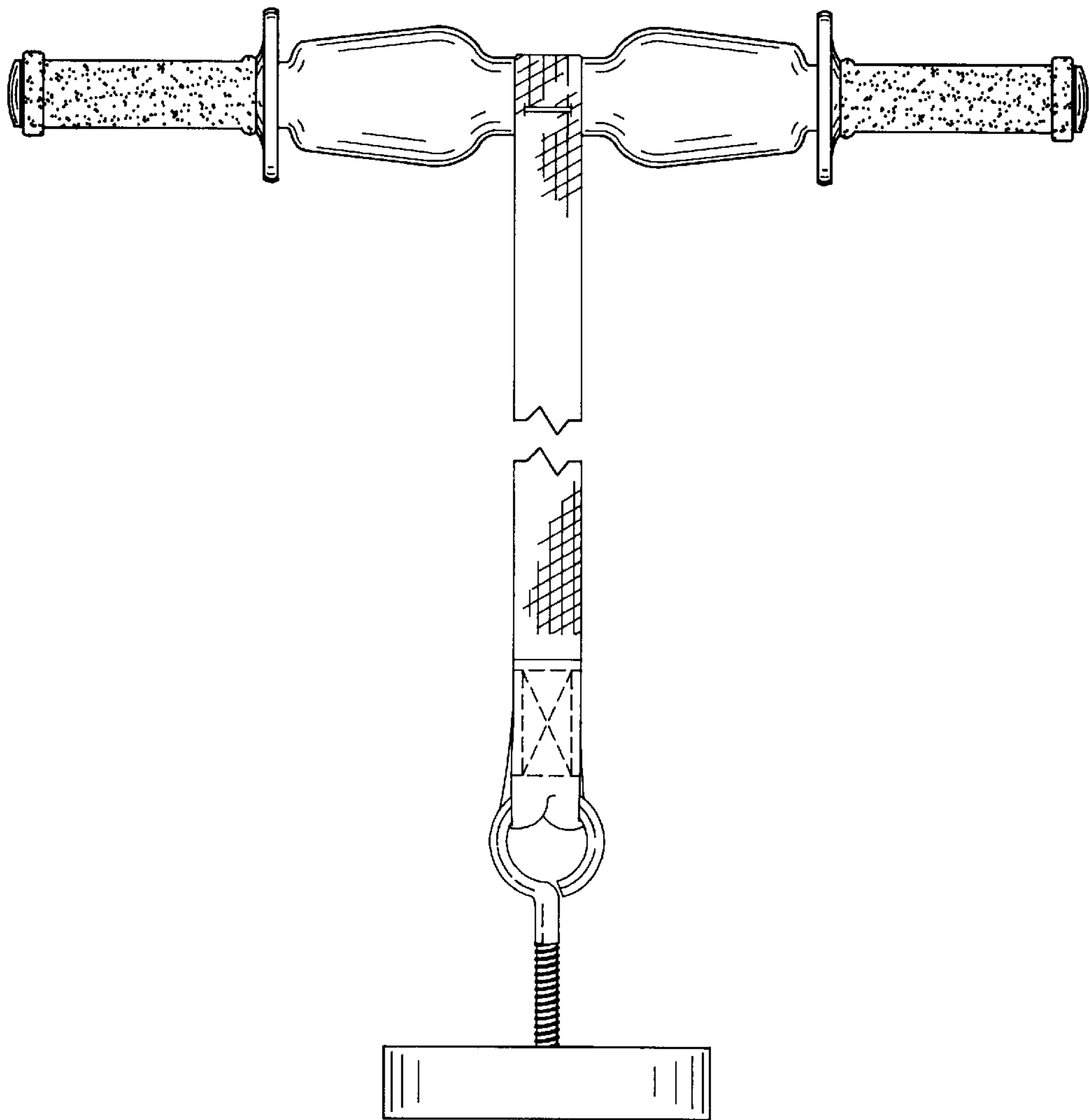


FIG. 2

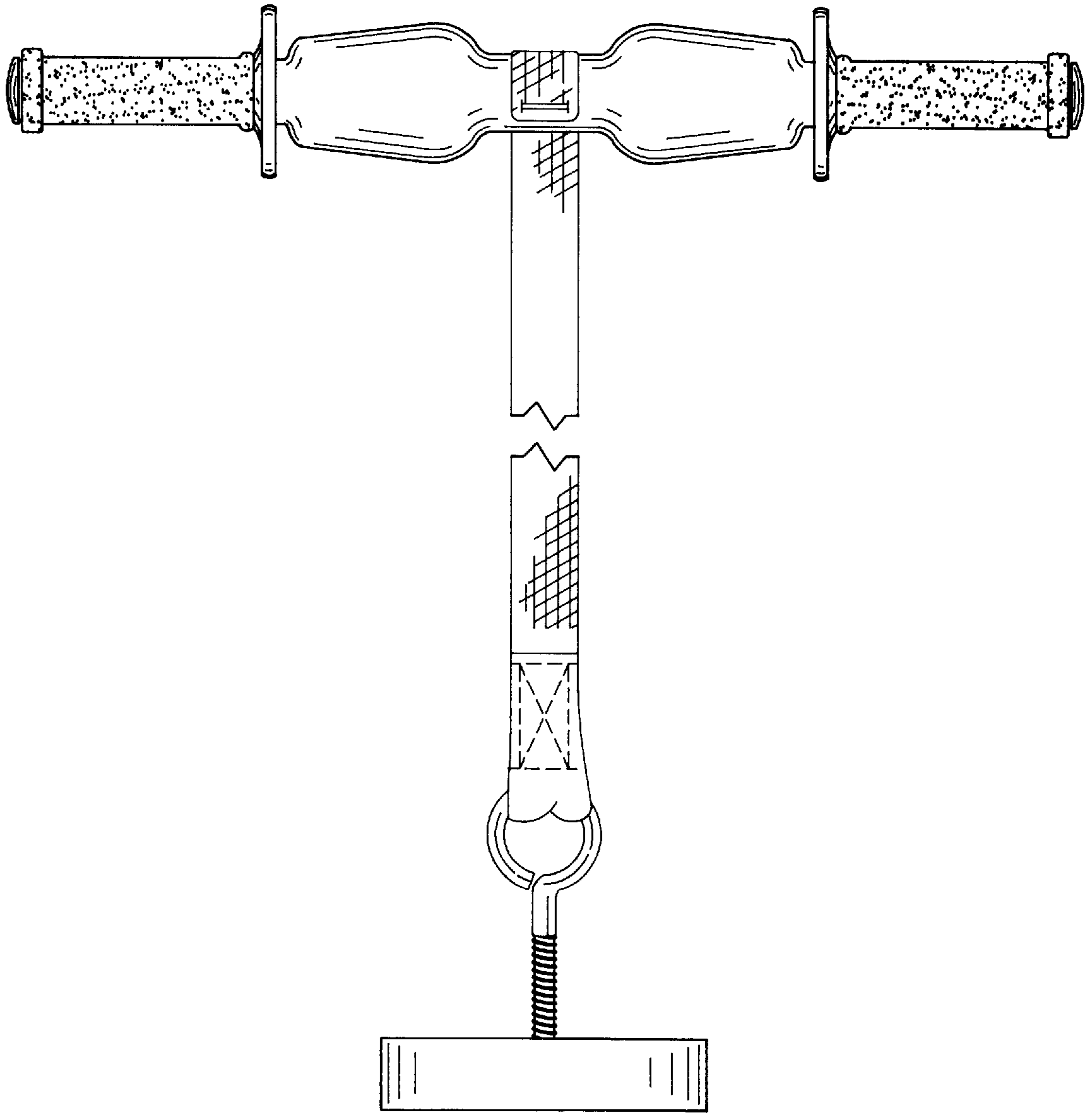


FIG. 3

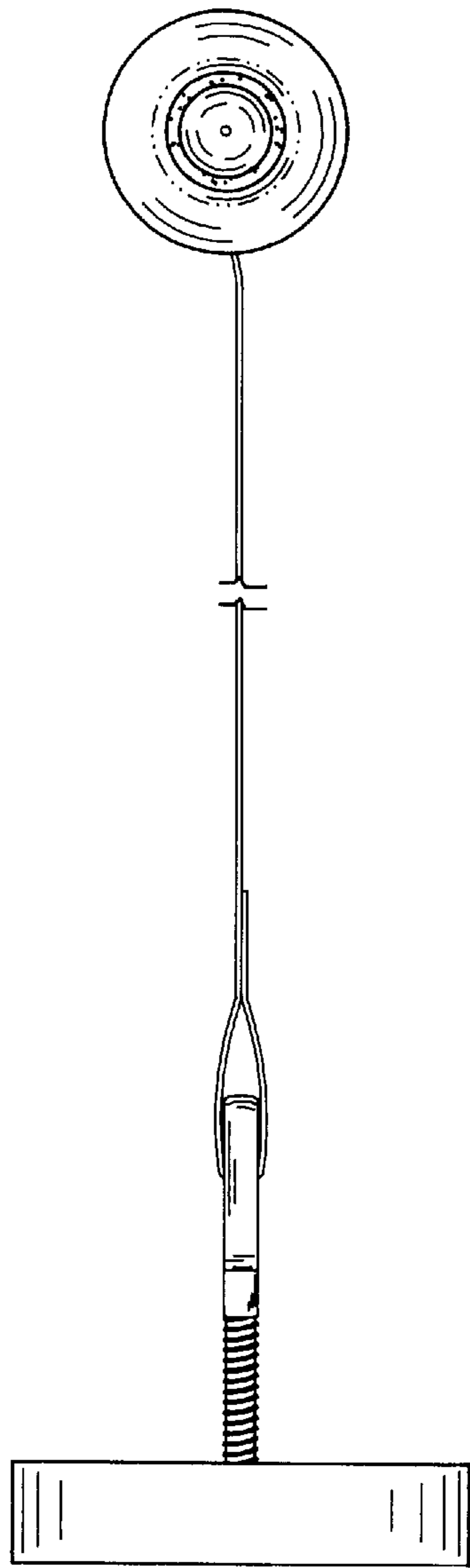


FIG.4

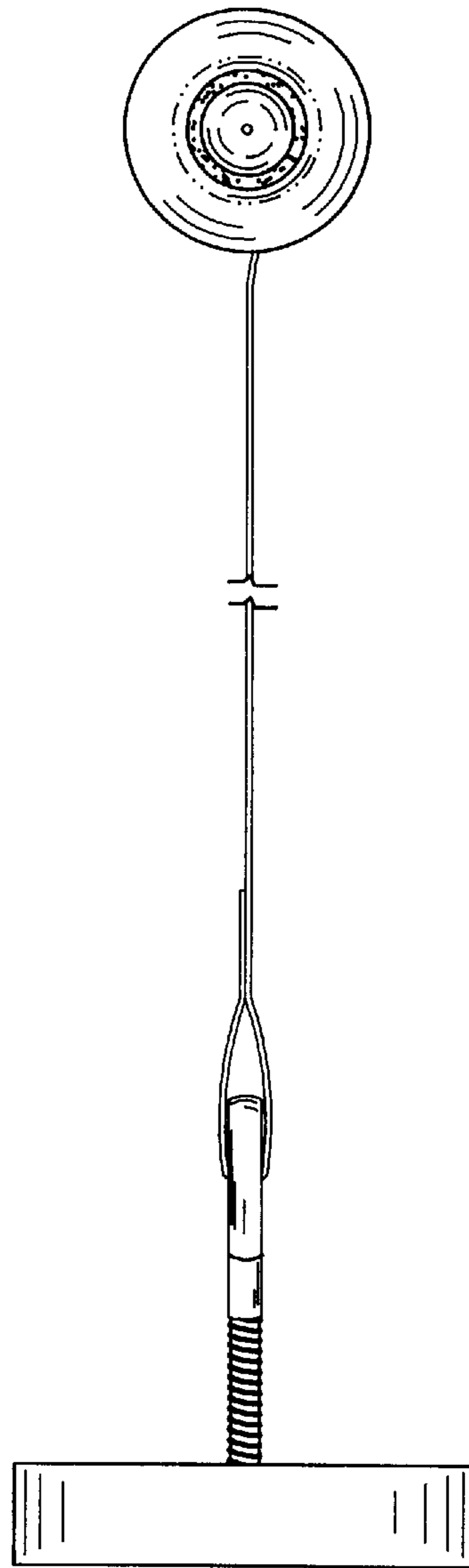


FIG.5

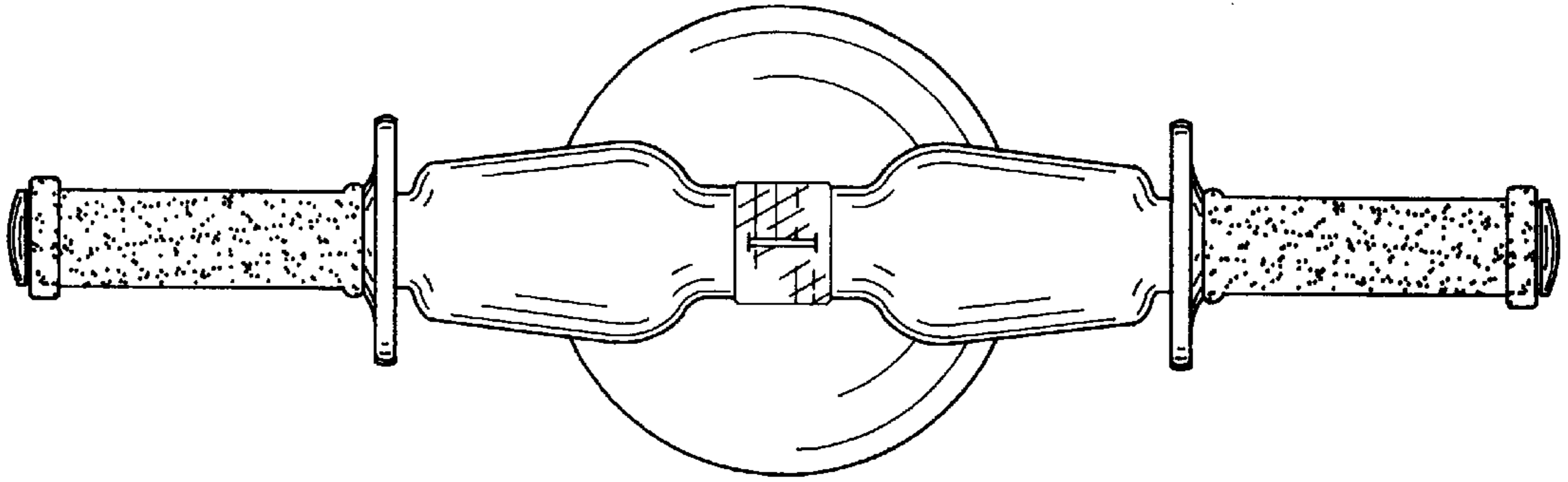


FIG. 6

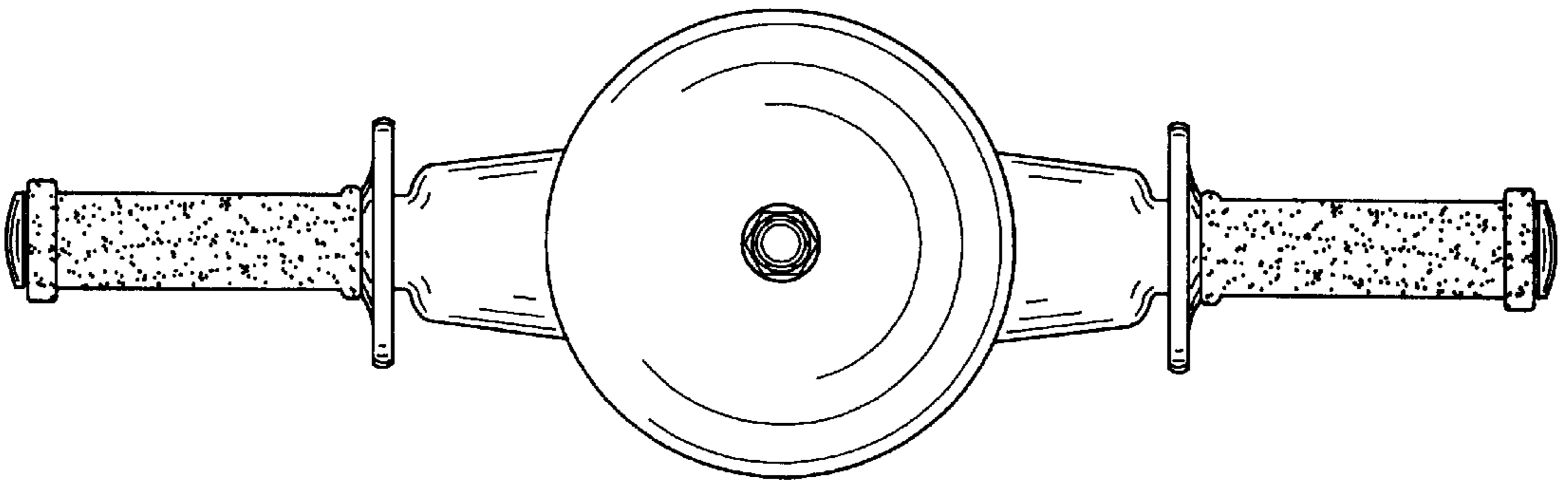


FIG. 7