



US00D403383S

United States Patent [19] Gutierrez

[11] **Patent Number: Des. 403,383**

[45] **Date of Patent: **Dec. 29, 1998**

[54] **EXERCISE APPARATUS**

[76] Inventor: **Abe Gutierrez**, 2607 Monroe Ave., San Diego, Calif. 92116

[**] Term: **14 Years**

[21] Appl. No.: **79,829**

[22] Filed: **Nov. 19, 1997**

[51] **LOC (6) Cl. 21-02**

[52] **U.S. Cl. D21/675**

[58] **Field of Search D21/191, 195;
482/91, 92, 93, 94, 95, 96**

[56] **References Cited**

U.S. PATENT DOCUMENTS

D. 288,224	2/1987	Rockwell	D21/195
D. 288,451	2/1987	Irvine et al.	D21/195
D. 296,709	7/1988	Gvoich et al.	D21/195
D. 360,003	7/1995	Henes	D21/195
D. 374,696	10/1996	Degelman	D21/195
4,765,610	8/1988	Sidwell	482/94

Primary Examiner—Philip S. Hyder

[57] **CLAIM**

The ornamental design for an exercise apparatus, as shown.

DESCRIPTION

FIG. 1 is a left side elevational view of the exercise apparatus of the present invention;
 FIG. 2 is a right side elevational view of the exercise apparatus of FIG. 1;
 FIG. 3 is a back elevational view of the exercise apparatus of FIG. 1;
 FIG. 4 is a front elevational view of the exercise apparatus of FIG. 1;
 FIG. 5 is a top plan view of the exercise apparatus of FIG. 1; and,
 FIG. 6 is a bottom plan view of the exercise apparatus of FIG. 1; and,
 FIG. 7 is a top, front, left side perspective view of the exercise apparatus of FIG. 1.

1 Claim, 5 Drawing Sheets

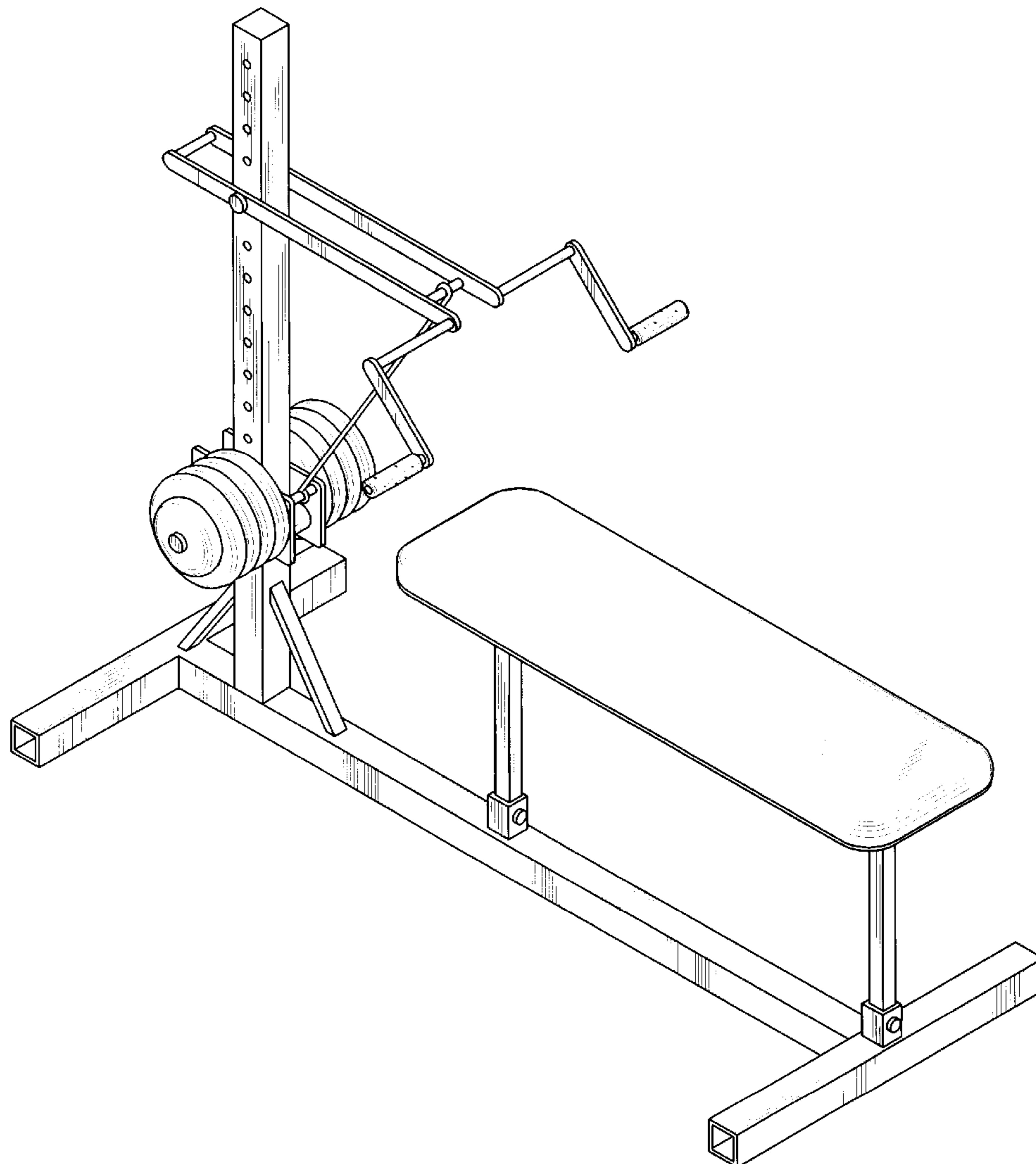
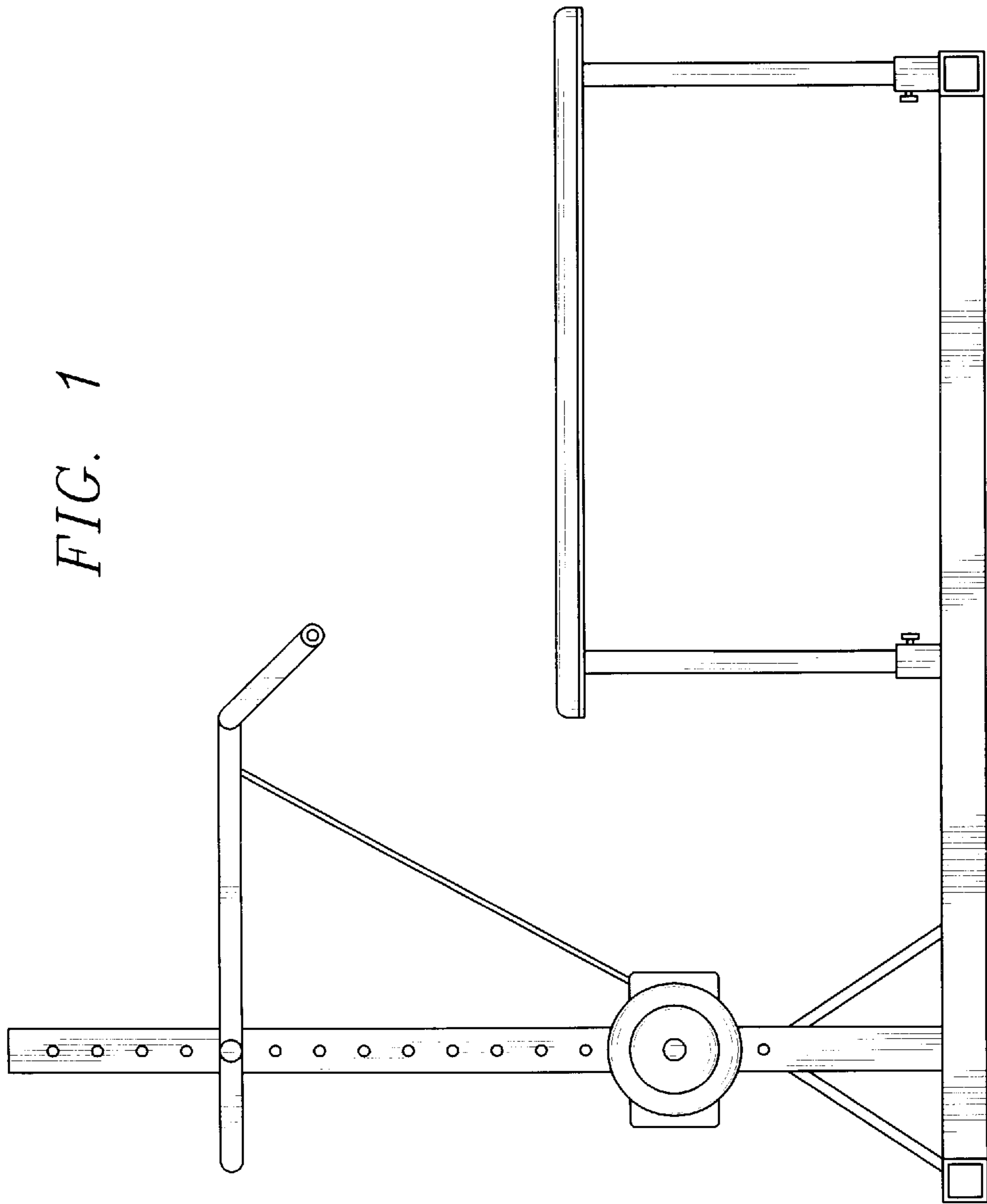


FIG. 1



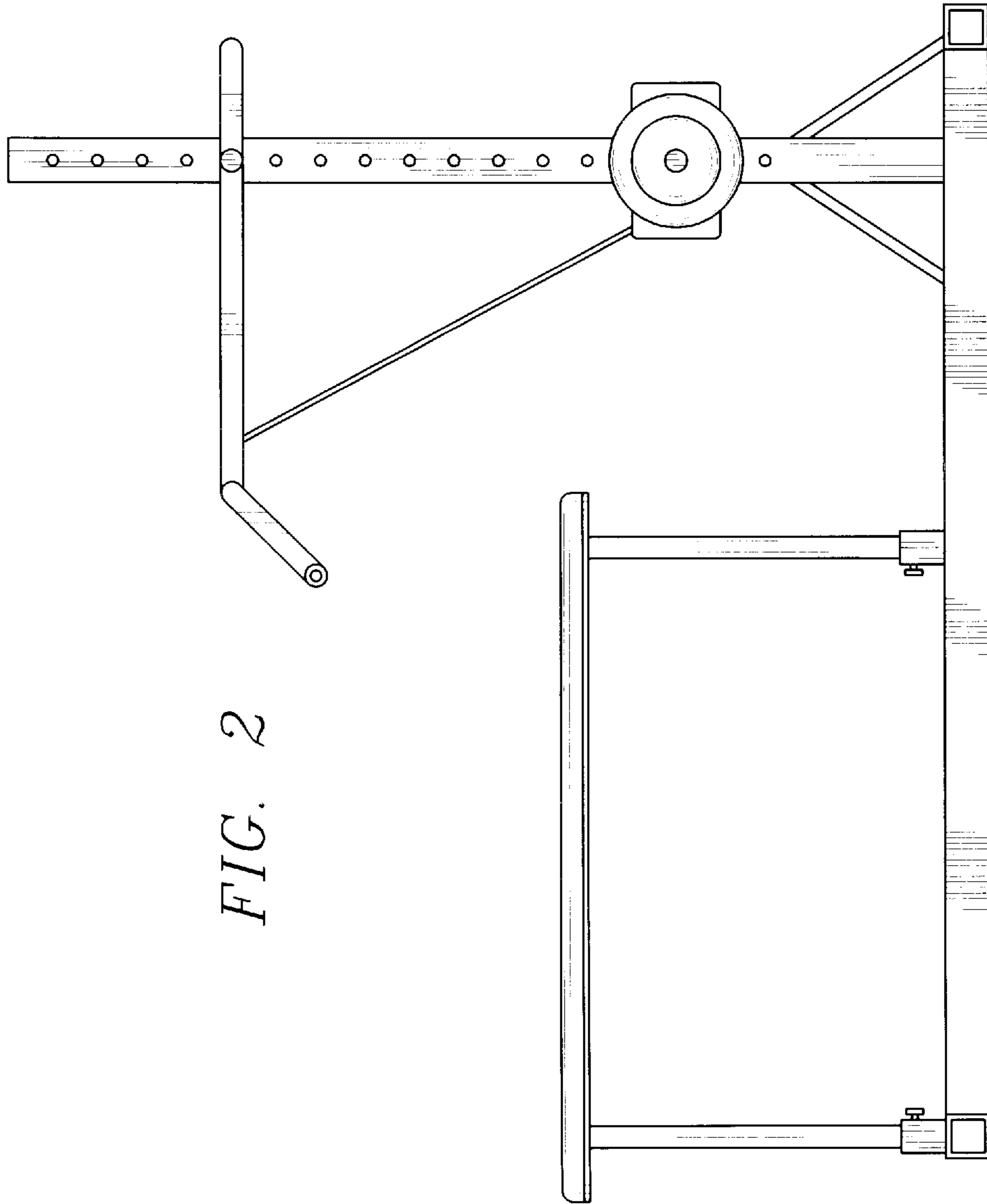


FIG. 2

FIG. 3

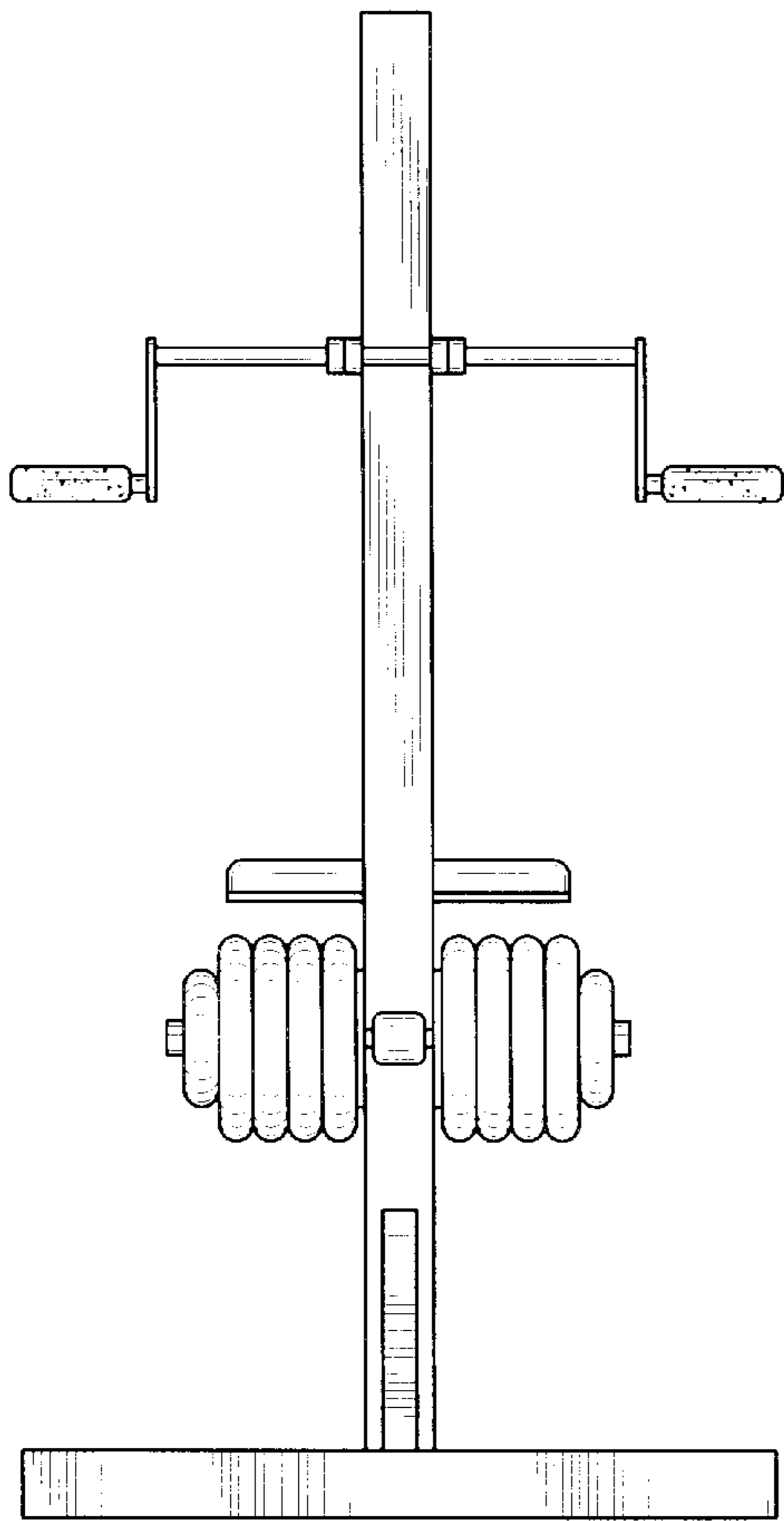


FIG. 4

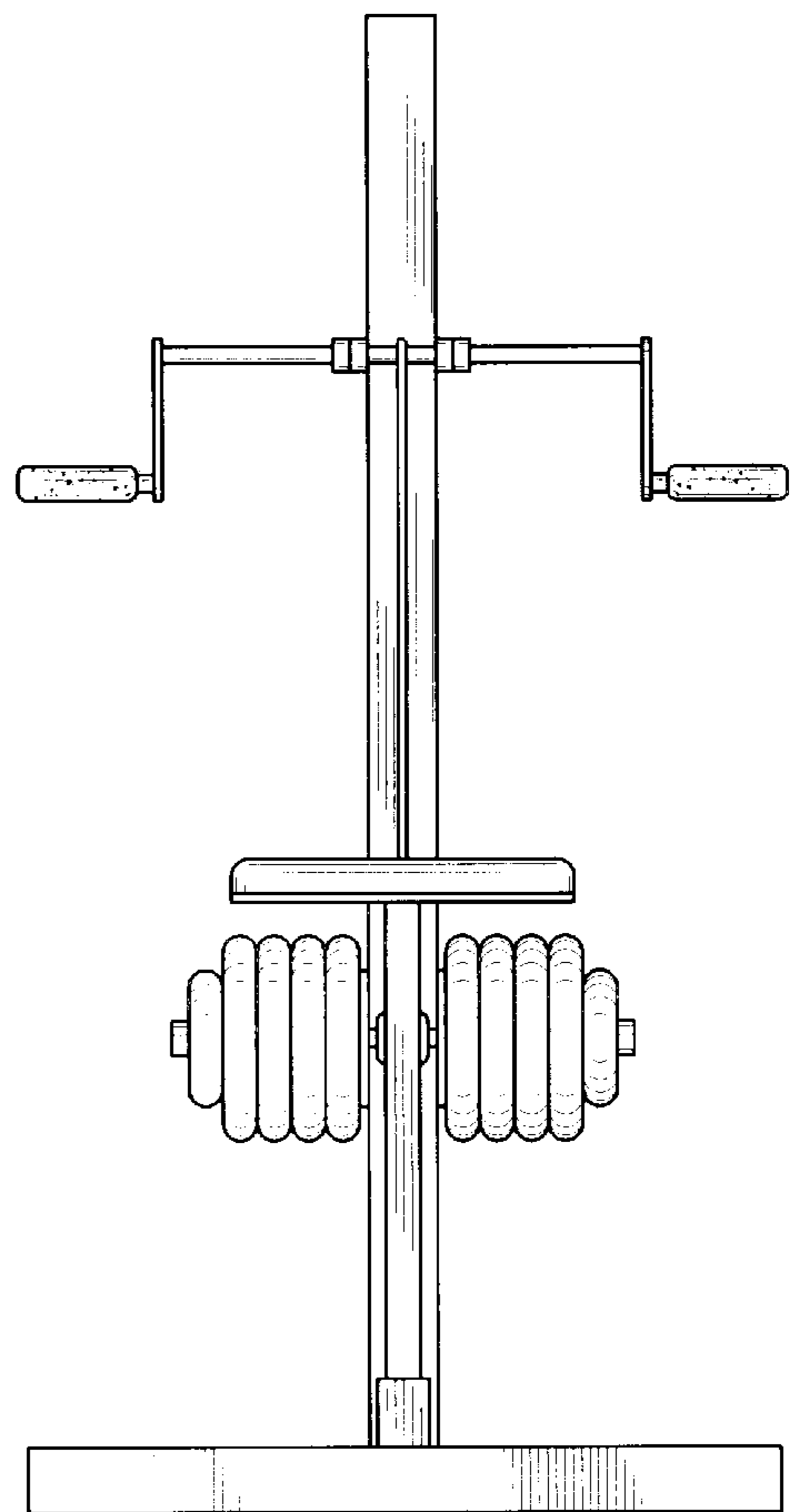


FIG. 5

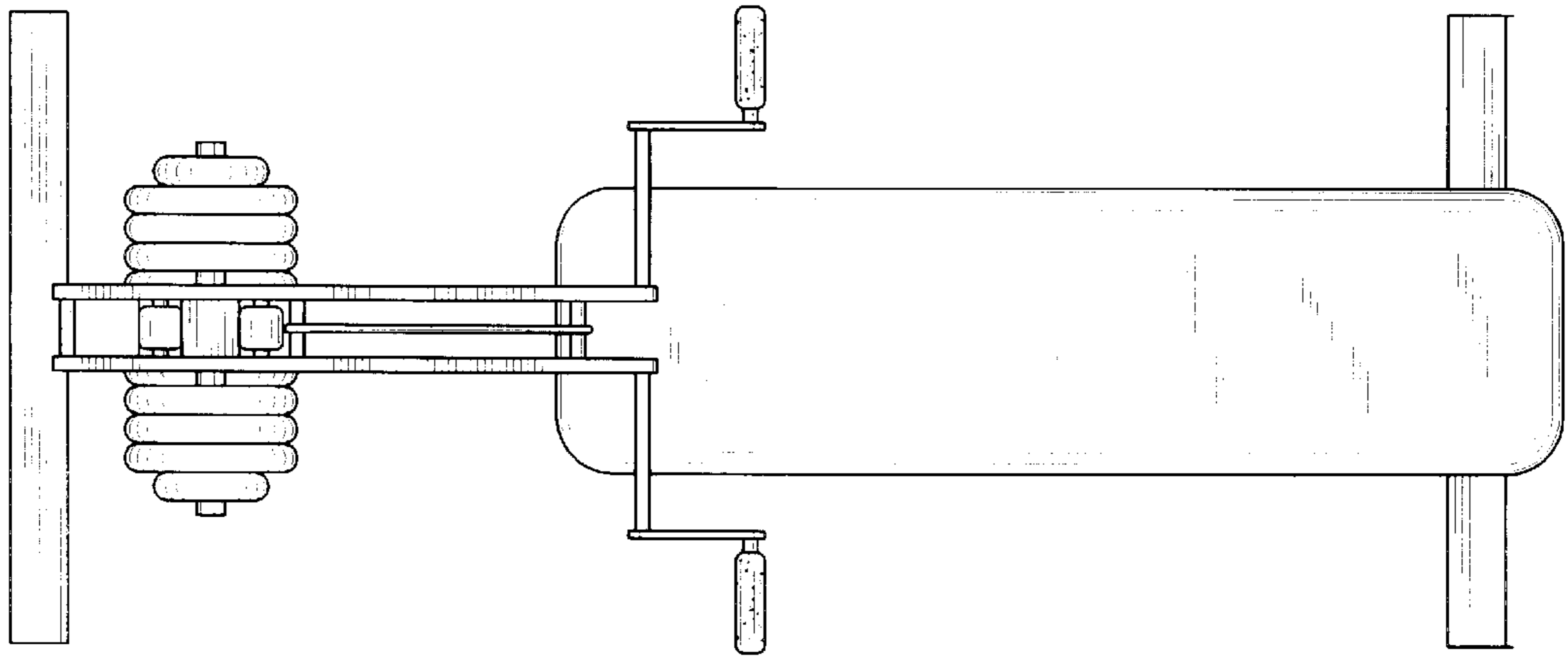
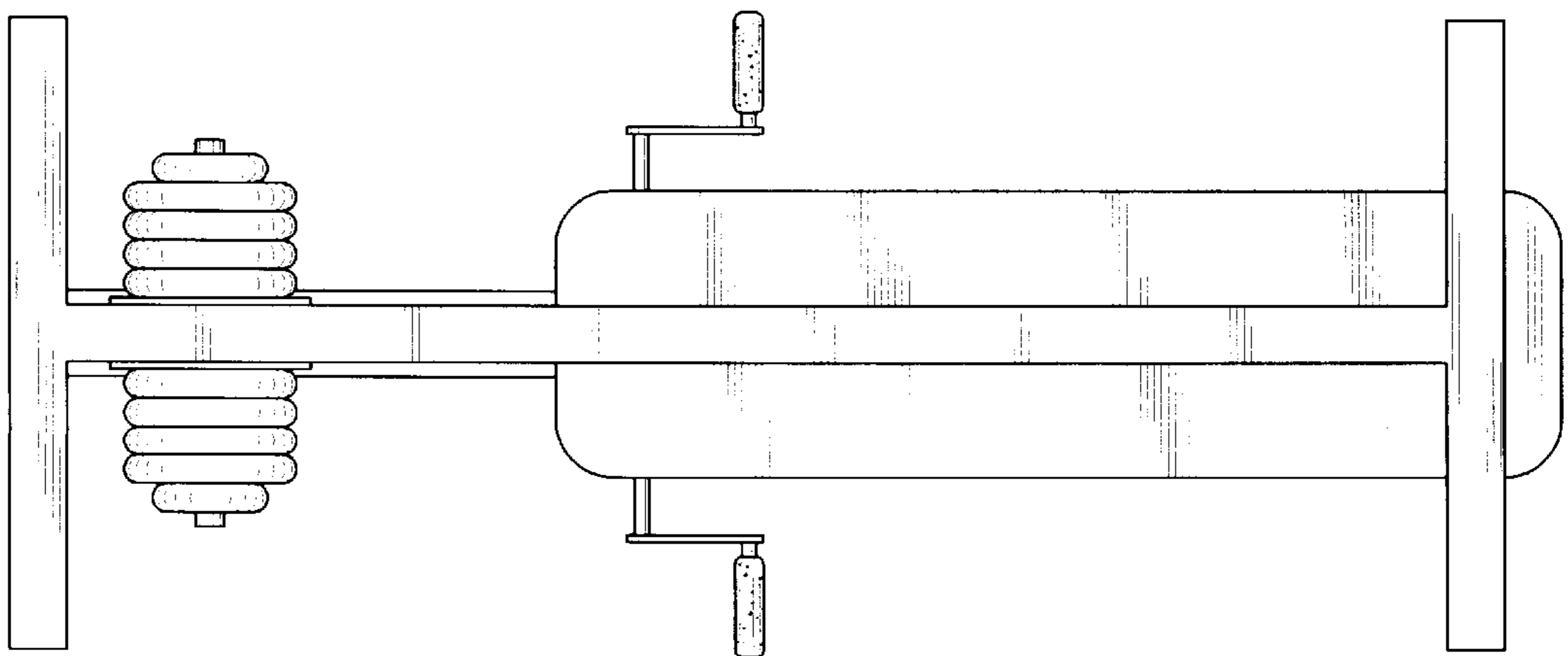


FIG. 6



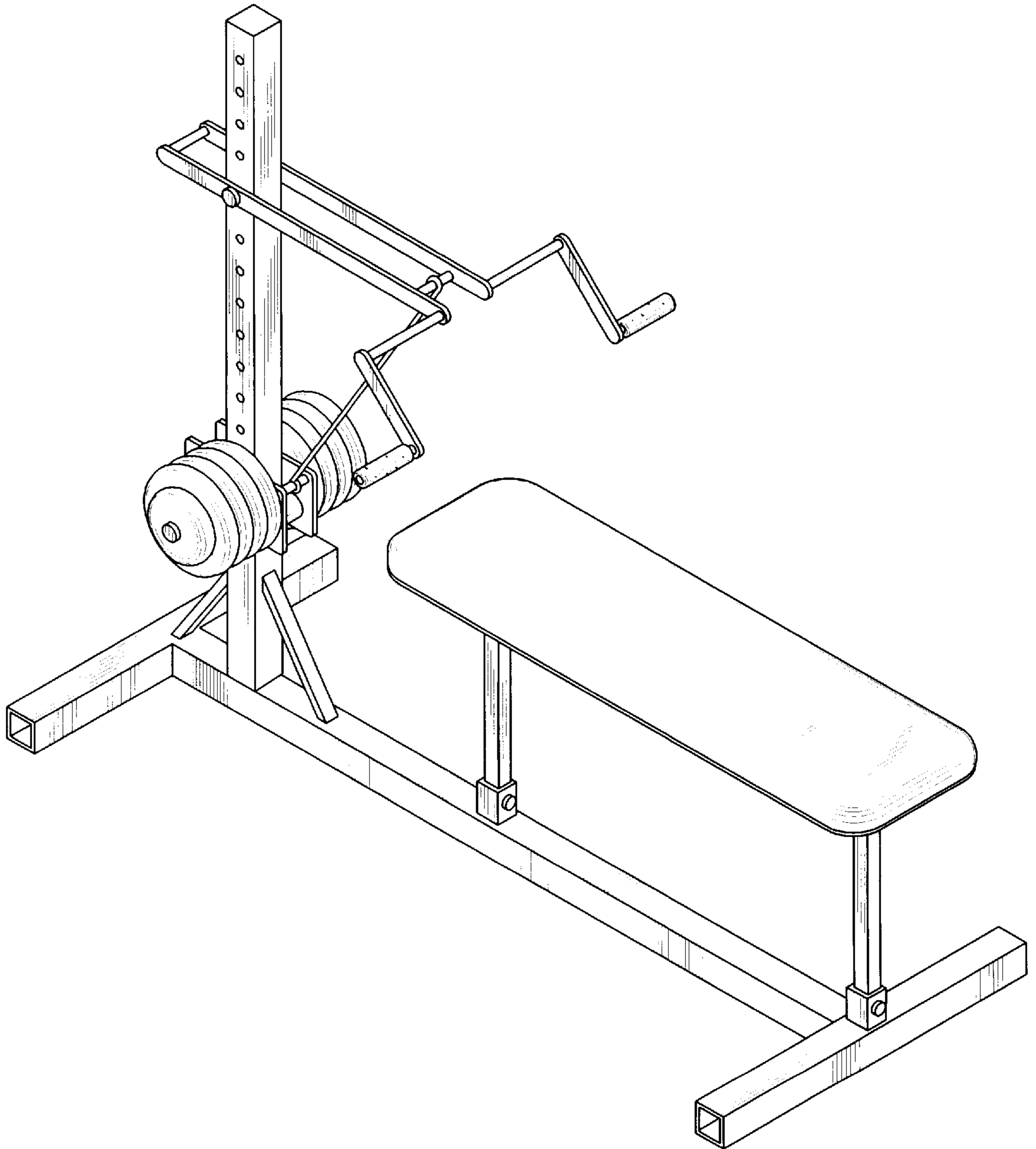


FIG. 7