



US00D403382S

United States Patent [19]
Piaget

[11] **Patent Number: Des. 403,382**

[45] **Date of Patent: **Dec. 29, 1998**

[54] **EXERCISE DEVICE**

5,518,470 5/1996 Piaget et al. 482/57
5,575,739 11/1996 Piaget et al. 482/57

[76] Inventor: **Gary D. Piaget**, 3390 American
Saddler Dr., Park City, Utah 84060

Primary Examiner—Philip S. Hyder
Attorney, Agent, or Firm—Barlow, Josephs & Holmes, Ltd.

[**] Term: **14 Years**

[57] **CLAIM**

[21] Appl. No.: **77,287**

The ornamental design for an exercise device, as shown.

[22] Filed: **Oct. 1, 1997**

DESCRIPTION

[51] **LOC (6) Cl.** **21-02**

FIG. 1 is a front view showing my new design for an exercise device;

[52] **U.S. Cl.** **D21/670**

FIG. 2 is a rear view thereof;

[58] **Field of Search** D21/191, 192,
D21/193, 194, 195; 482/51, 52, 53, 57,
62, 79, 80

FIG. 3 is a right side view thereof;

FIG. 4 is a left side view thereof;

FIG. 5 is a top view thereof;

FIG. 6 is a bottom view thereof; and,

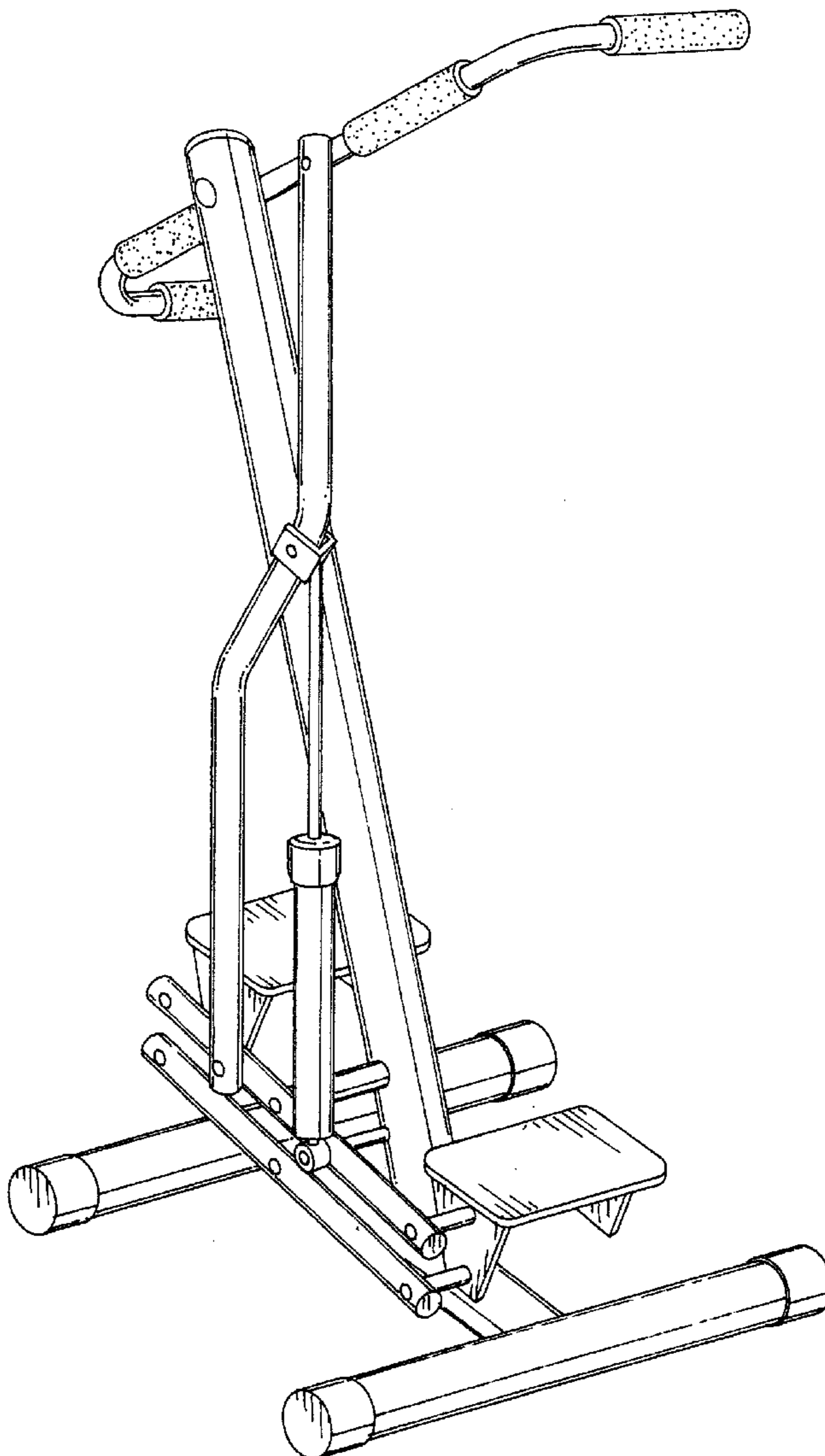
FIG. 7 is a perspective view thereof.

[56] **References Cited**

U.S. PATENT DOCUMENTS

D. 339,837 9/1993 Hall et al. D21/195

1 Claim, 6 Drawing Sheets



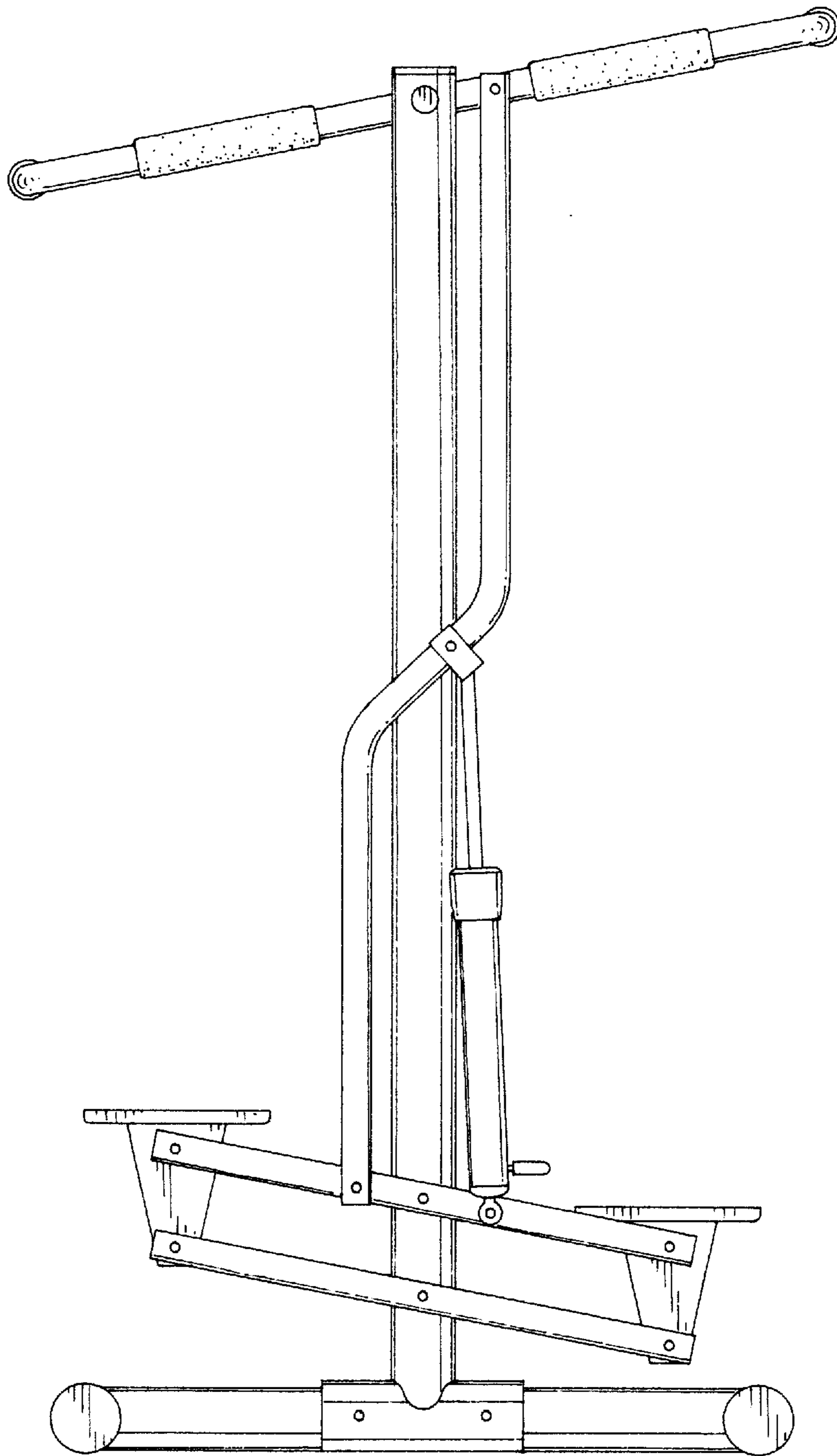


FIG. 1

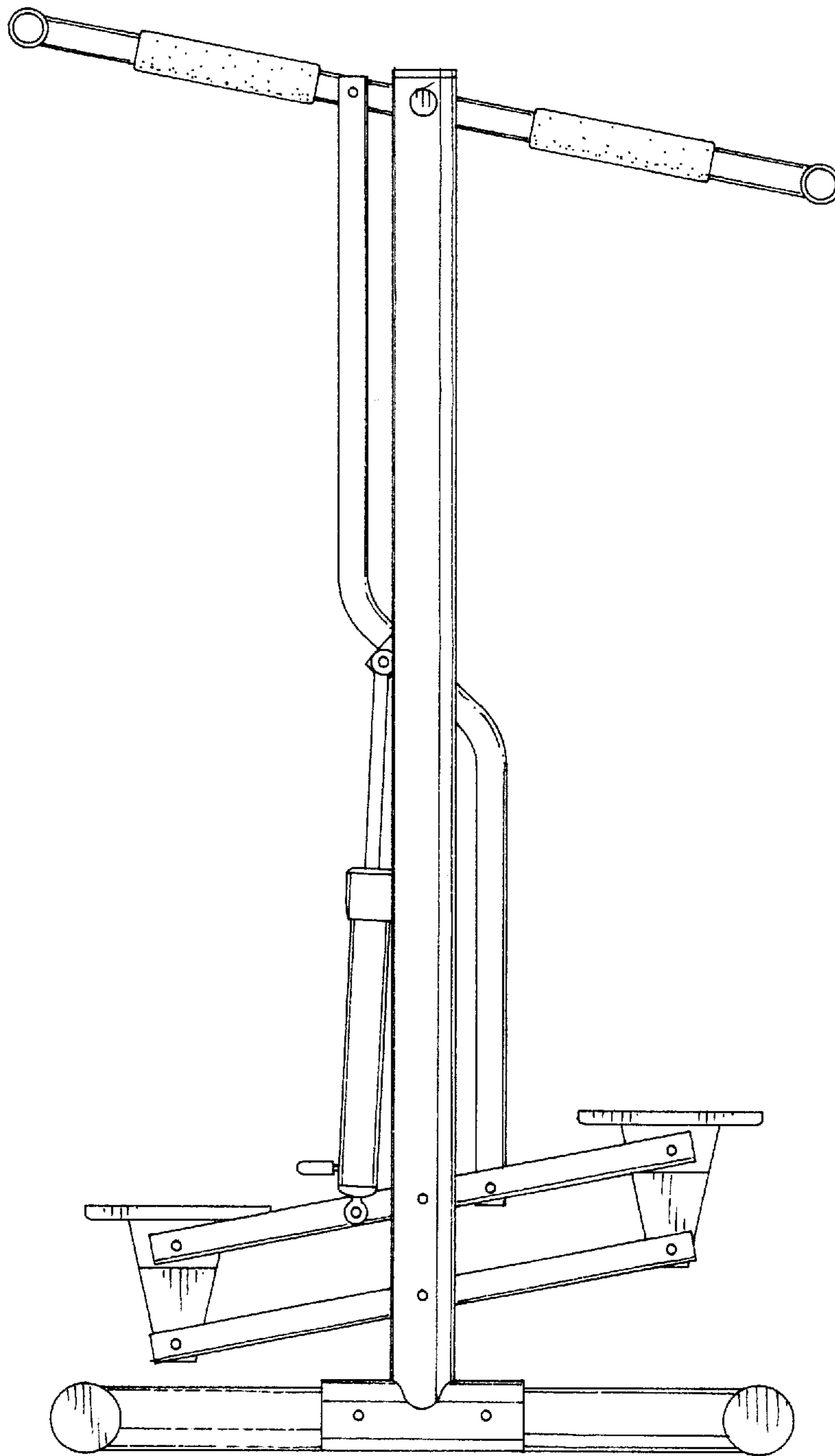


FIG. 2

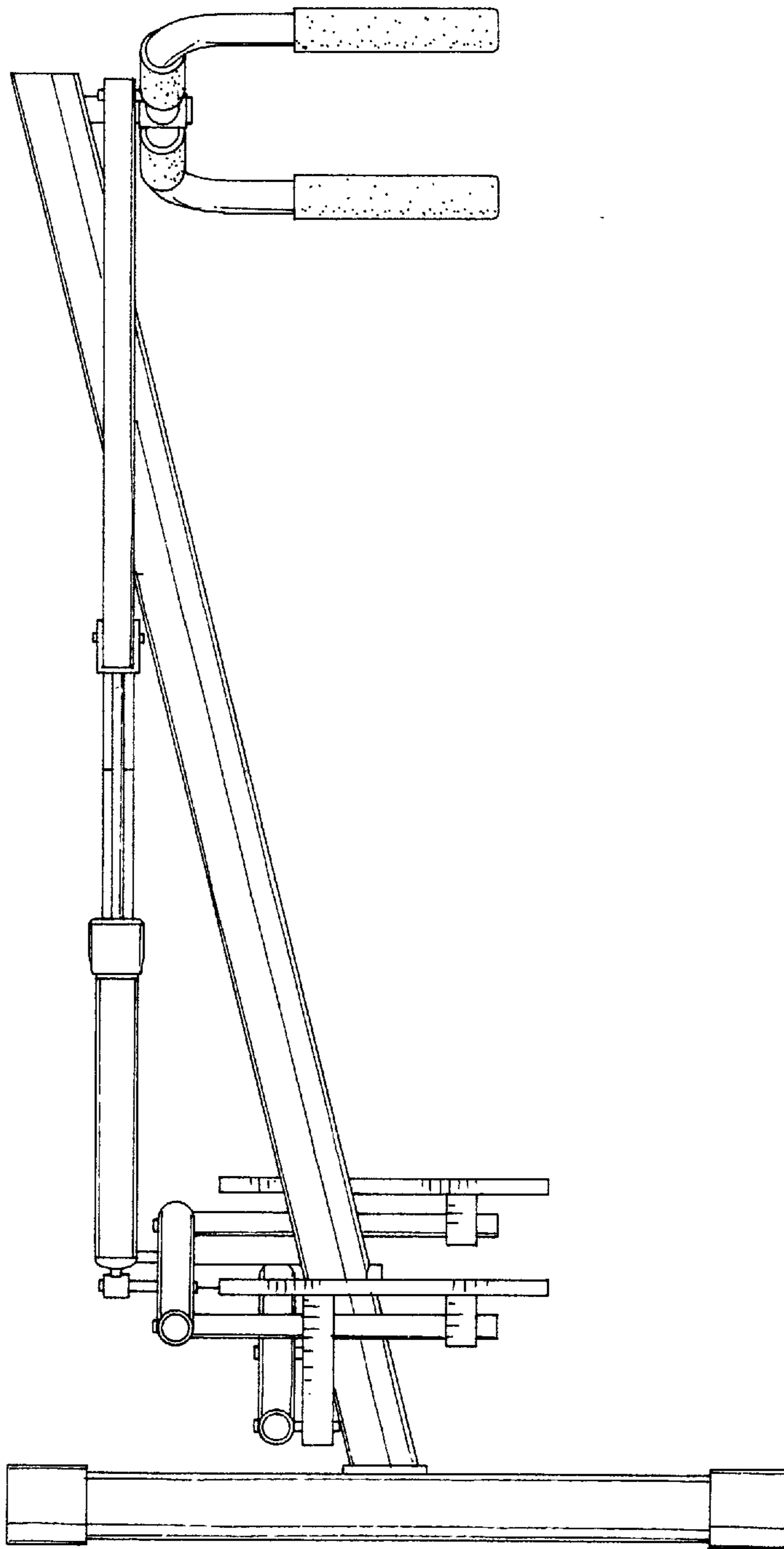


FIG. 3

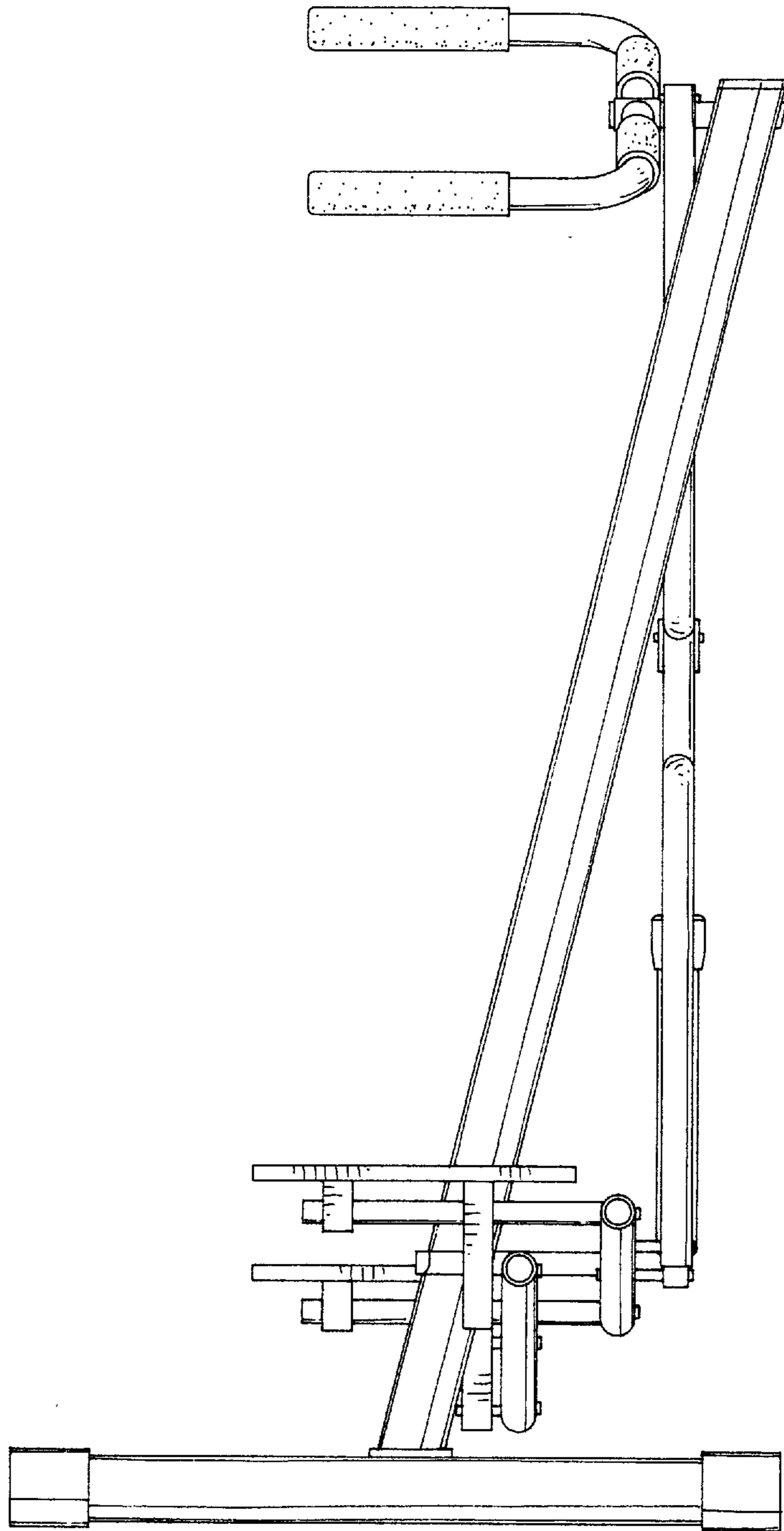


FIG. 4

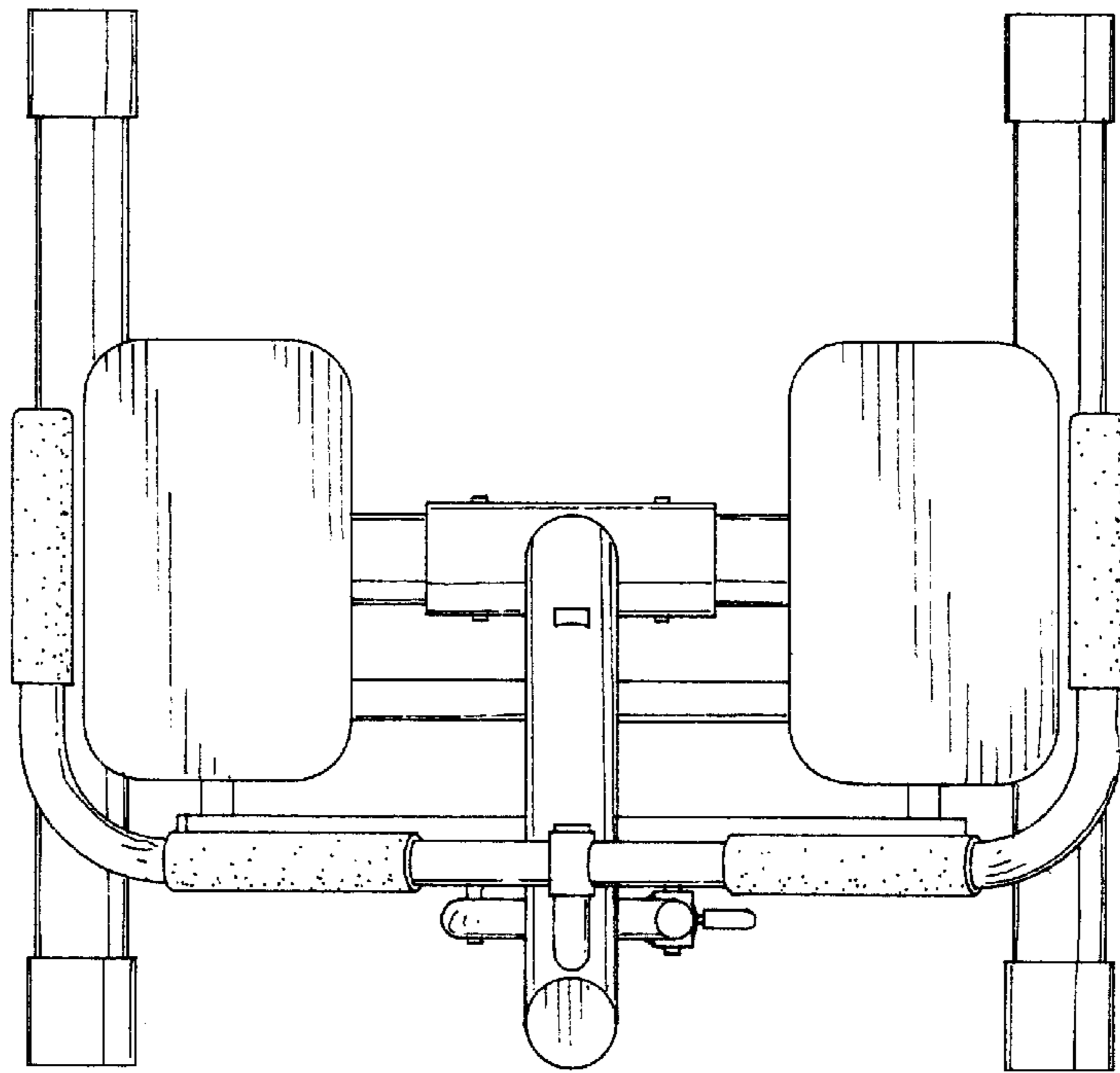


FIG. 5

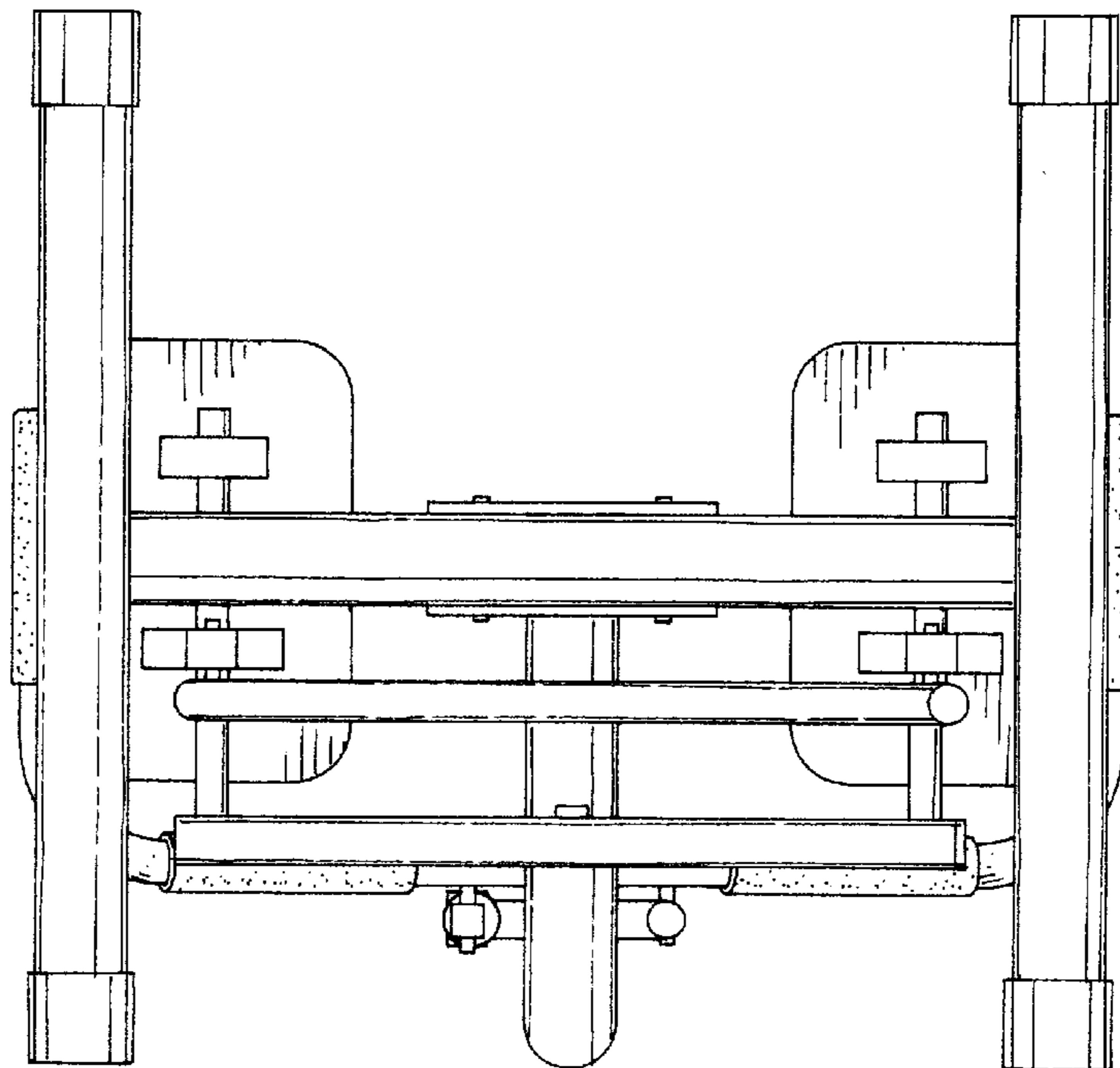


FIG. 6

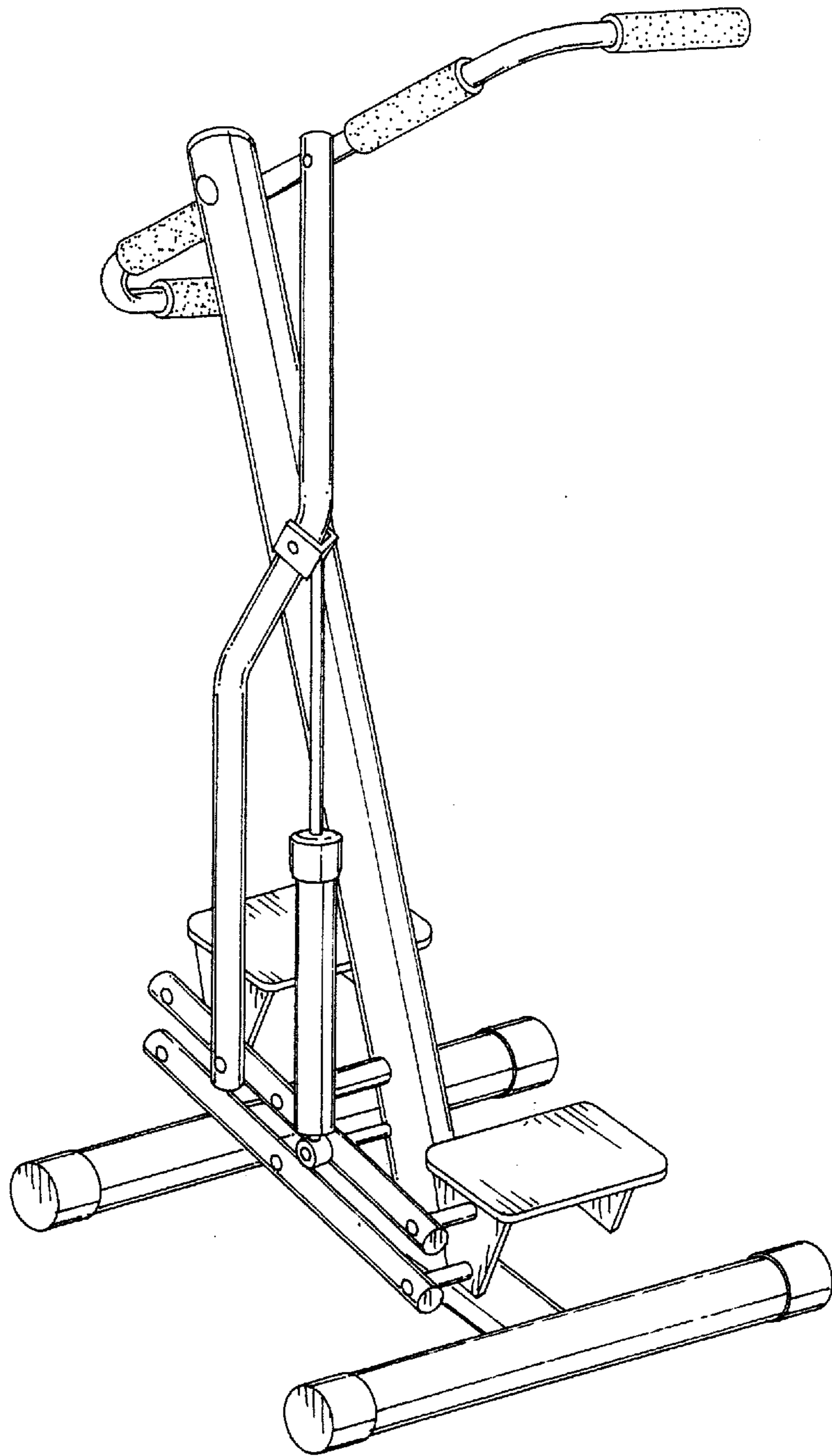


FIG. 7