



US00D403381S

# United States Patent [19]

[11] **Patent Number: Des. 403,381**

**Hanna**

[45] **Date of Patent: \*\*Dec. 29, 1998**

[54] **FACE, NECK AND CHIN EXERCISER**

*Primary Examiner*—Philip S. Hyder  
*Attorney, Agent, or Firm*—Rader, Fishman, Grauer & McGarry

[76] Inventor: **Beverly I. Hanna**, 7954 Two Mile Rd.,  
Lakeview, Mich. 48850

[\*\*] Term: **14 Years**

[57] **CLAIM**

[21] Appl. No.: **71,985**

The ornamental design for a face, neck and chin exerciser,  
as shown and described.

[22] Filed: **Jun. 10, 1997**

**DESCRIPTION**

[51] **LOC (6) Cl.** ..... **21-02**

[52] **U.S. Cl.** ..... **D21/662**

[58] **Field of Search** ..... D21/191, 198;  
D24/135, 200; 482/11, 121, 122, 124; 600/38,  
242; 606/204.15; 128/200.26

FIG. 1 is a perspective view of the face, neck and chin exerciser located in a user's mouth, the broken lines showing environment only and forming no part of the claimed design; FIG. 2 is a front elevational view thereof; FIG. 3 is a rear elevational view thereof; FIG. 4 is a right side elevational view thereof, the left side elevational view being a mirror image thereof; FIG. 5 is a top plan view thereof, the bottom plan view being a mirror image thereof; FIG. 6 is a perspective view of the face, neck and chin exerciser in a flat position; FIG. 7 is a front elevational view thereof; FIG. 8 is a top plan view thereof, the bottom plan view being a mirror image thereof; FIG. 9 is a rear elevational view thereof; and, FIG. 10 is a right side elevational view thereof, the left side elevational view being a mirror image thereof.

[56] **References Cited**

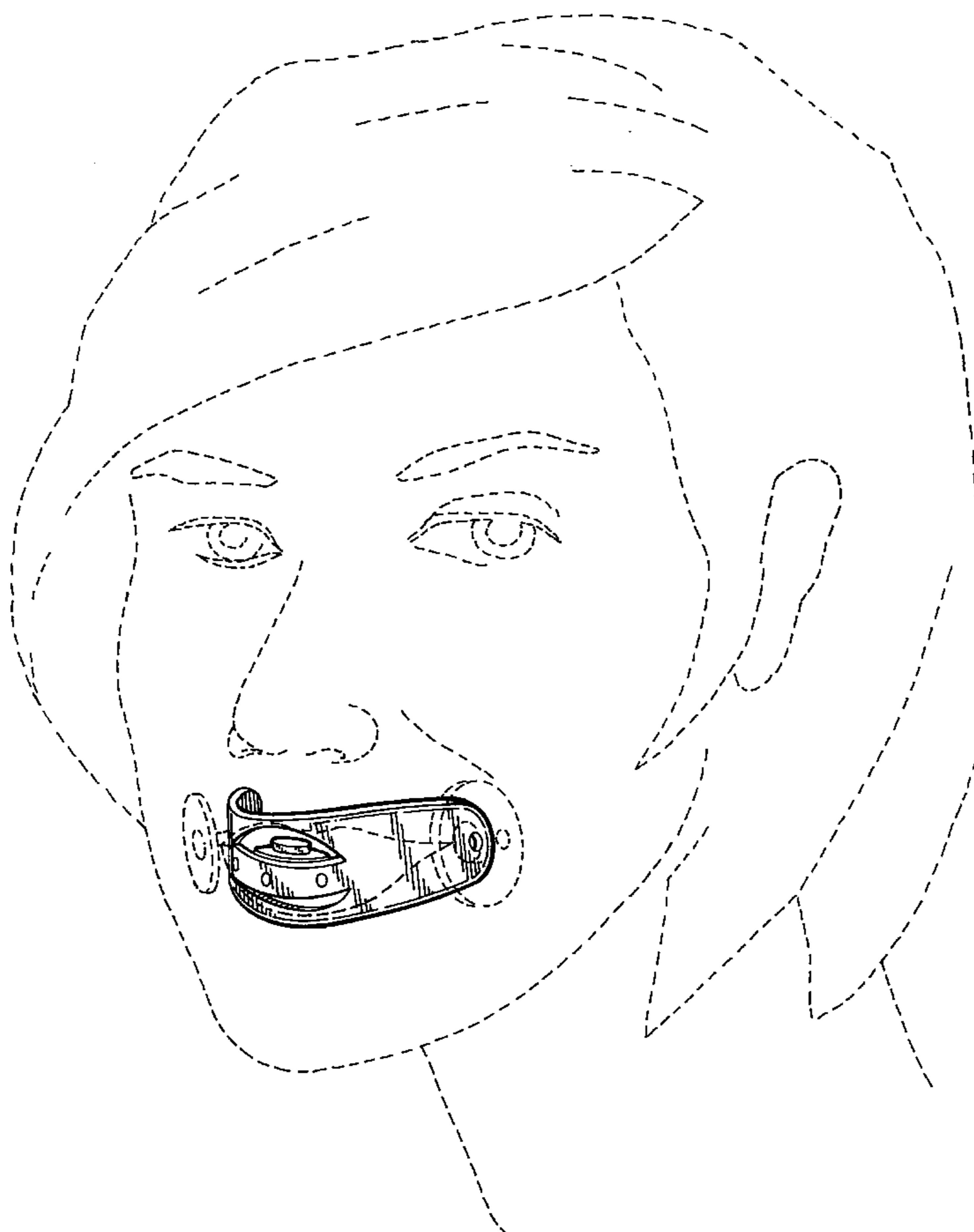
**U.S. PATENT DOCUMENTS**

|           |         |          |            |
|-----------|---------|----------|------------|
| 3,938,508 | 2/1976  | Buckner  | 600/242    |
| 4,200,089 | 4/1980  | Inoue    | 600/242    |
| 4,280,696 | 7/1981  | Ramon    | 482/122    |
| 4,671,260 | 6/1987  | Buckner  | 600/242    |
| 5,174,284 | 12/1992 | Jackson  | 128/200.26 |
| 5,469,865 | 11/1995 | Minneman | 128/859    |
| 5,556,357 | 9/1996  | Hanna    | 482/11     |

**OTHER PUBLICATIONS**

Dr. Leonards Health Care Catalog, p. 5, Face Toner, 1995.

**1 Claim, 4 Drawing Sheets**



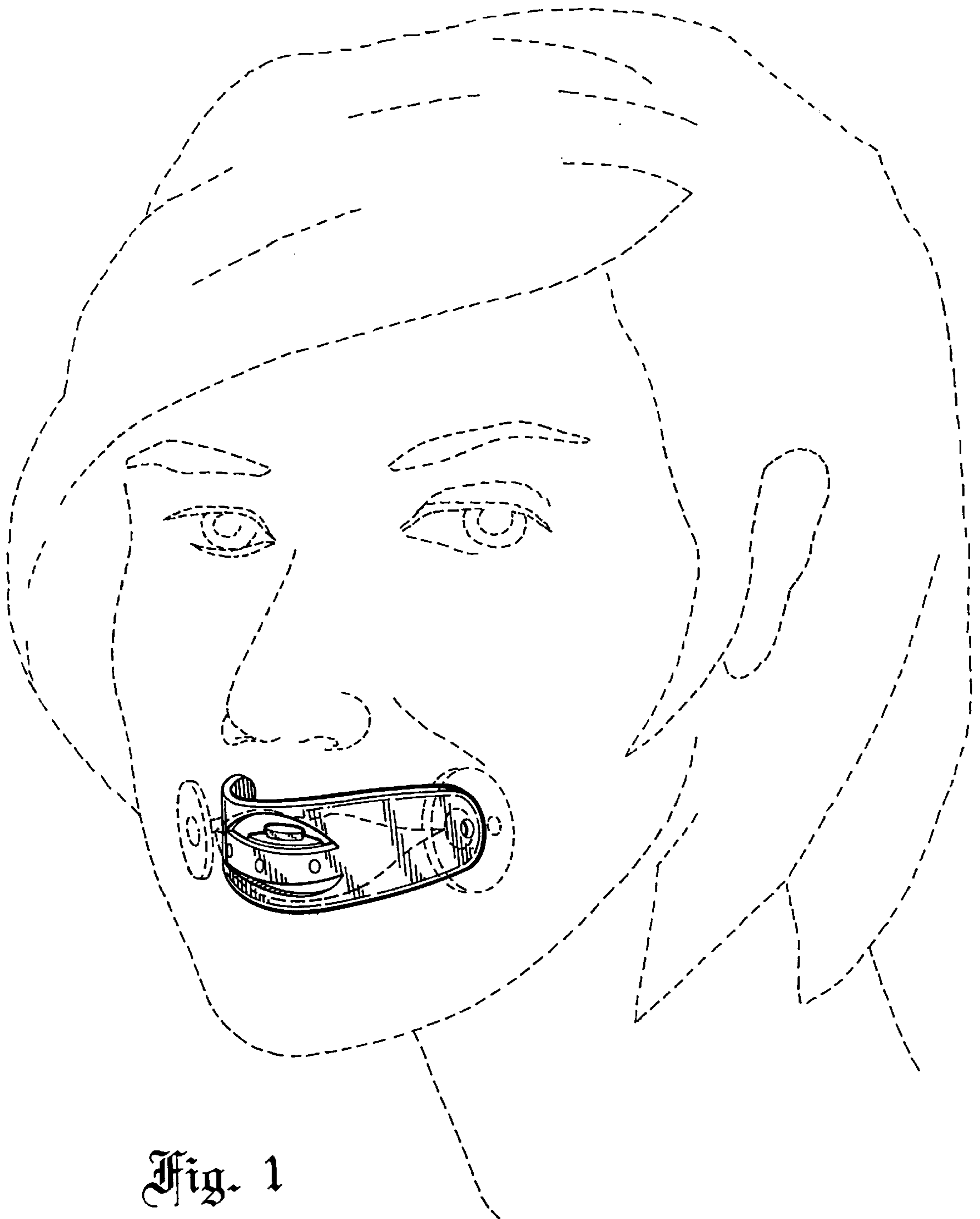


Fig. 1

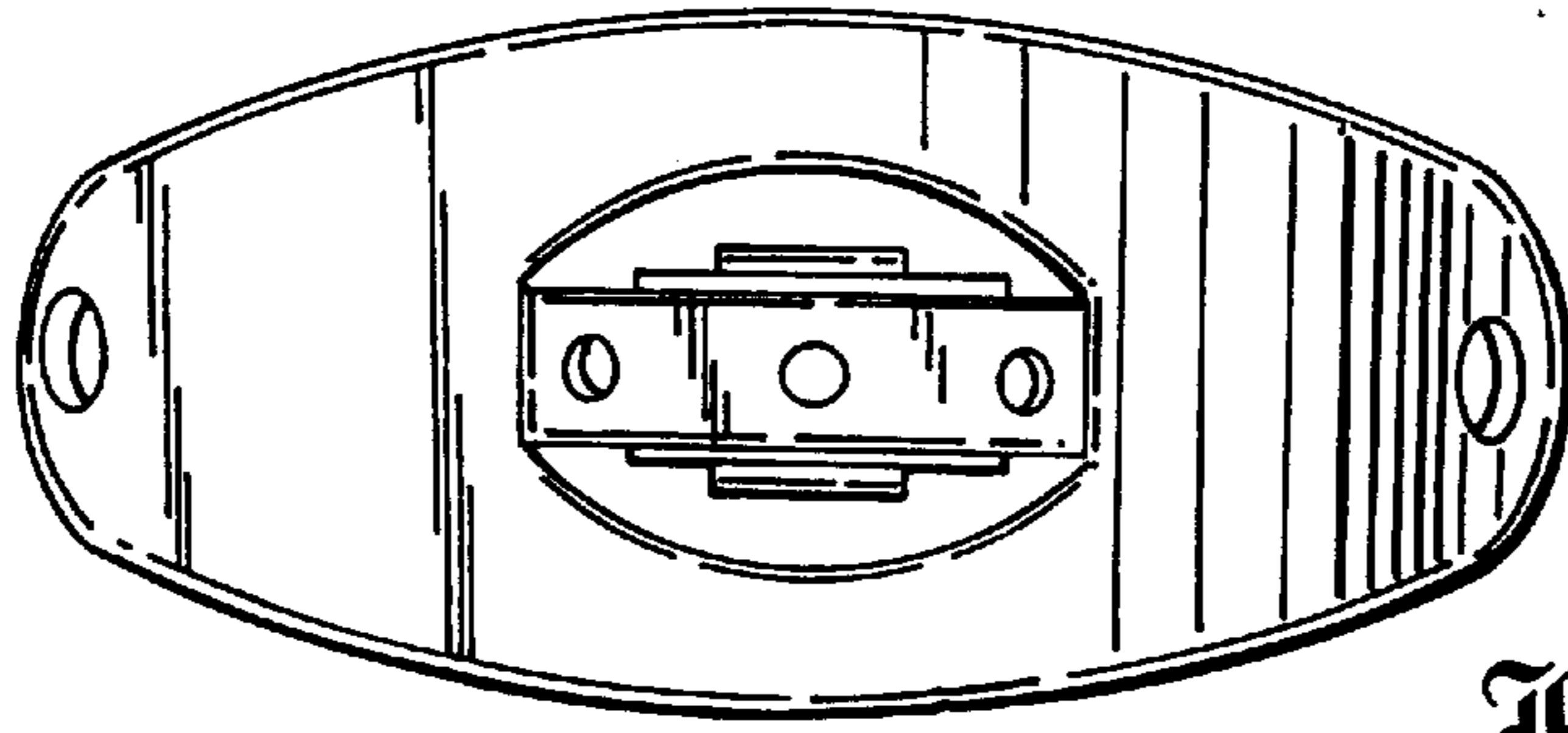


Fig. 2

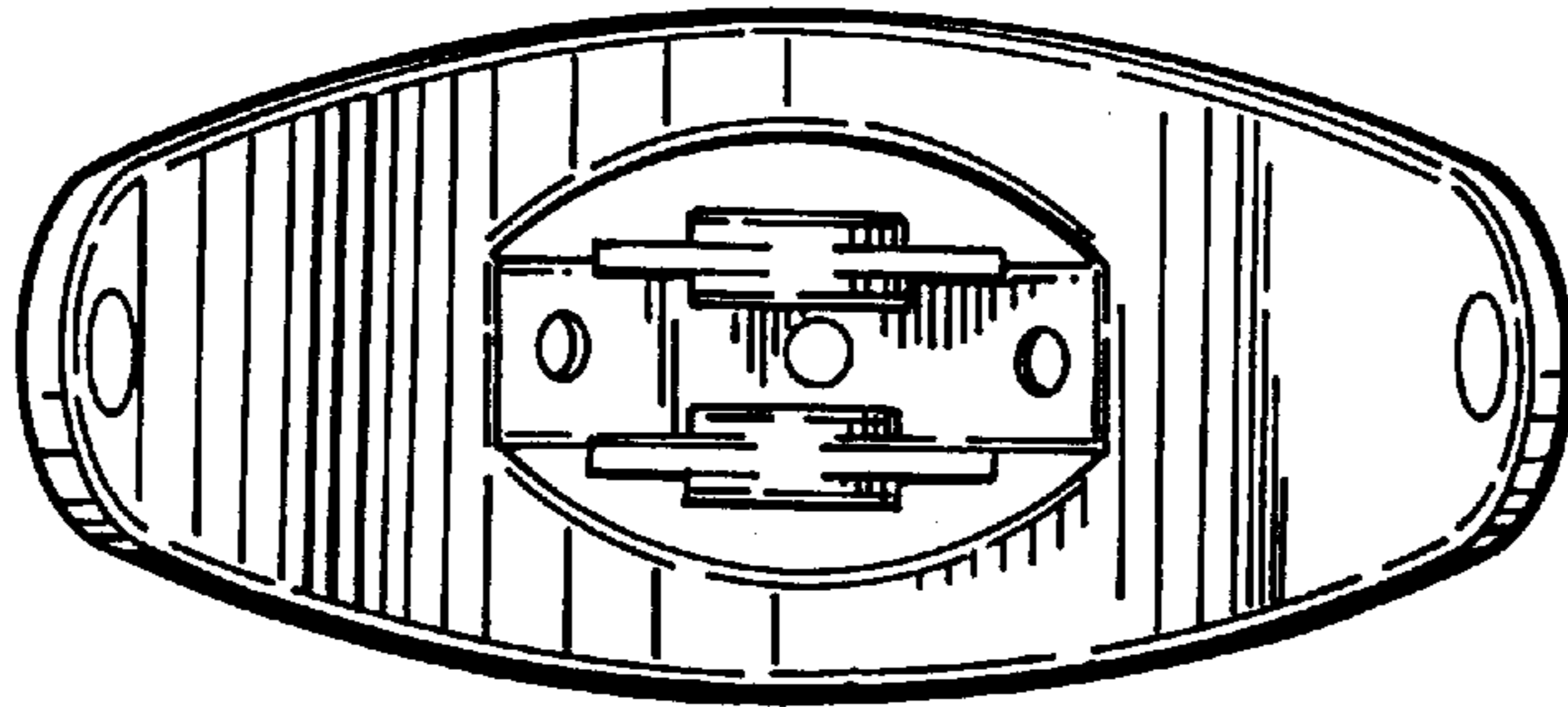


Fig. 3

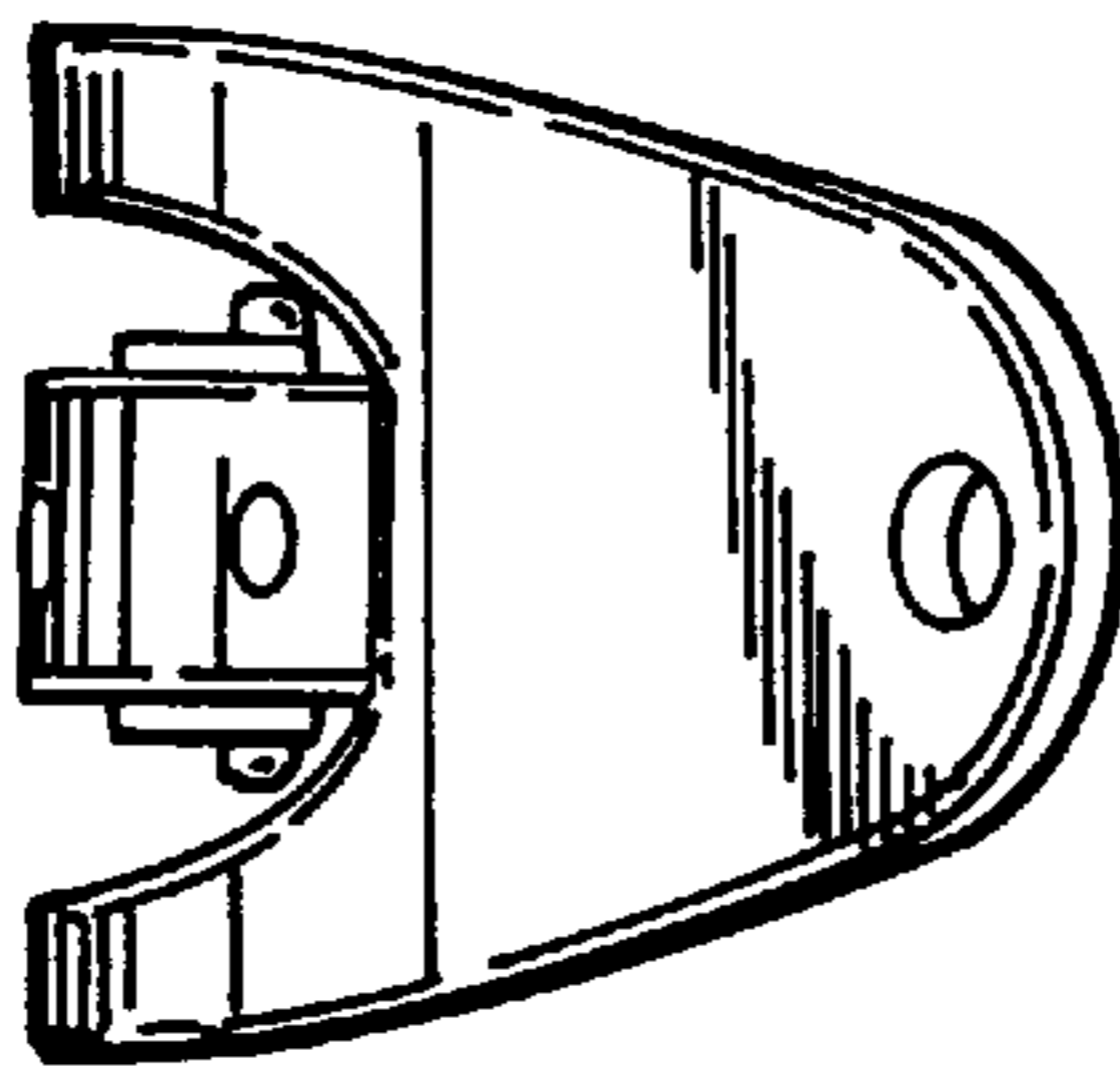


Fig. 4

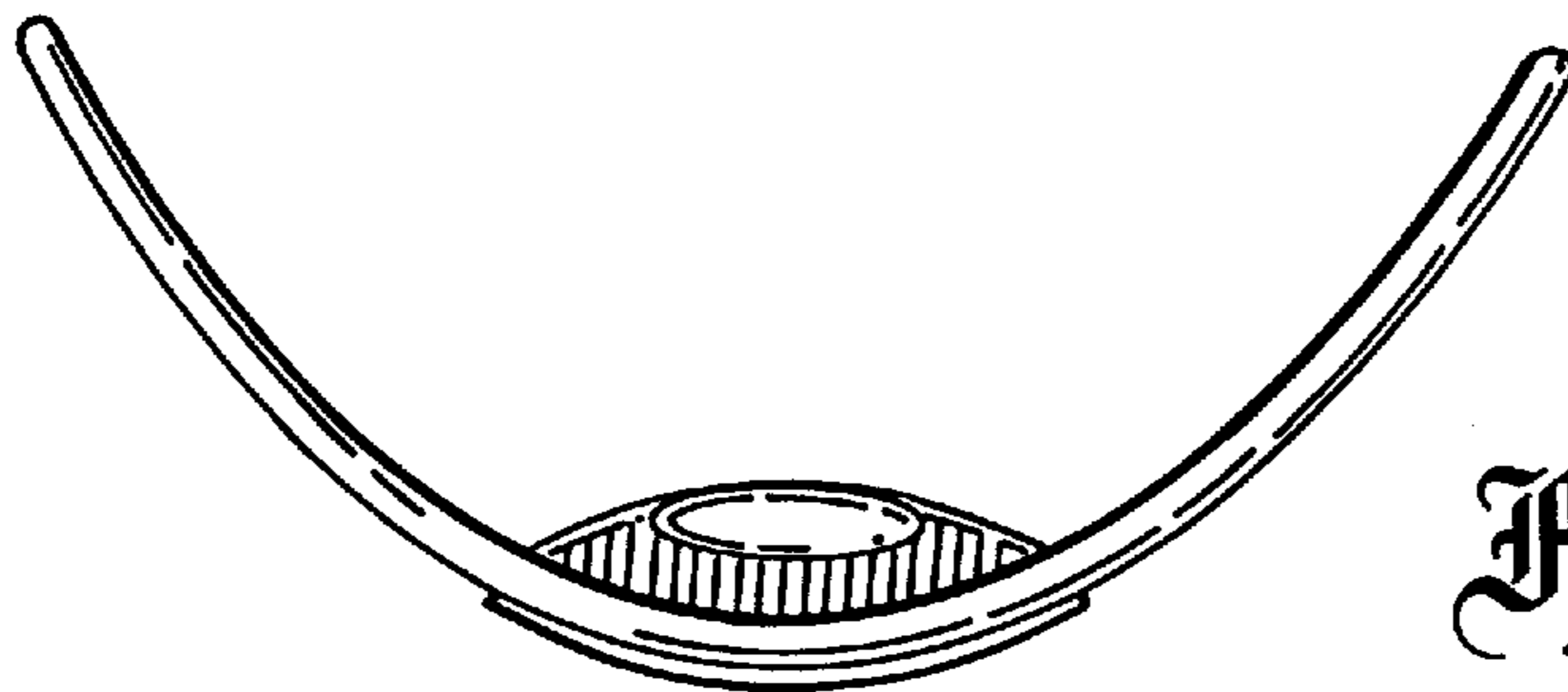


Fig. 5

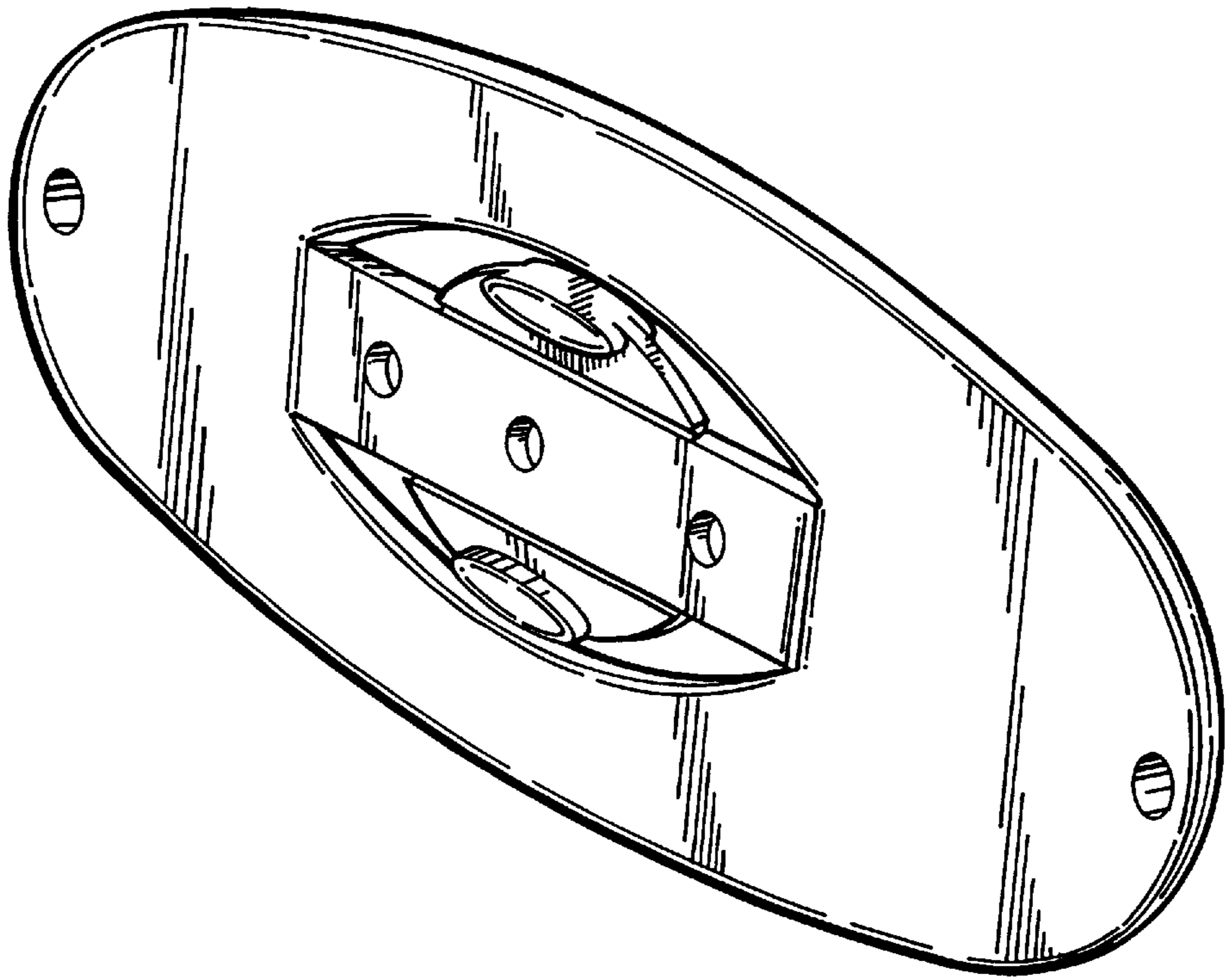


Fig. 6

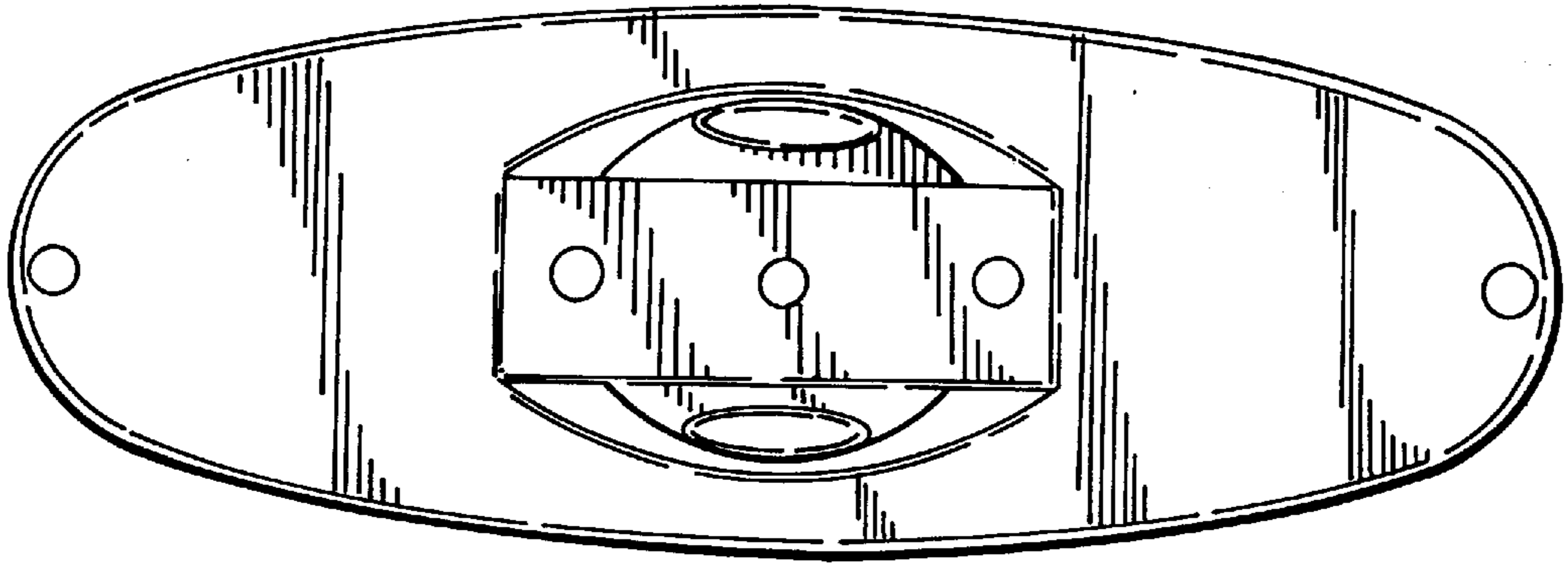


Fig. 7

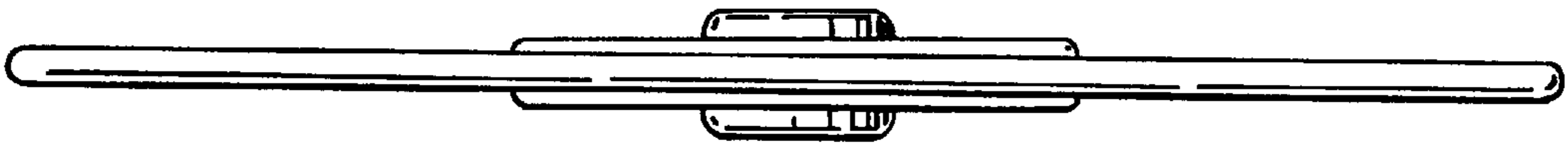


Fig. 8

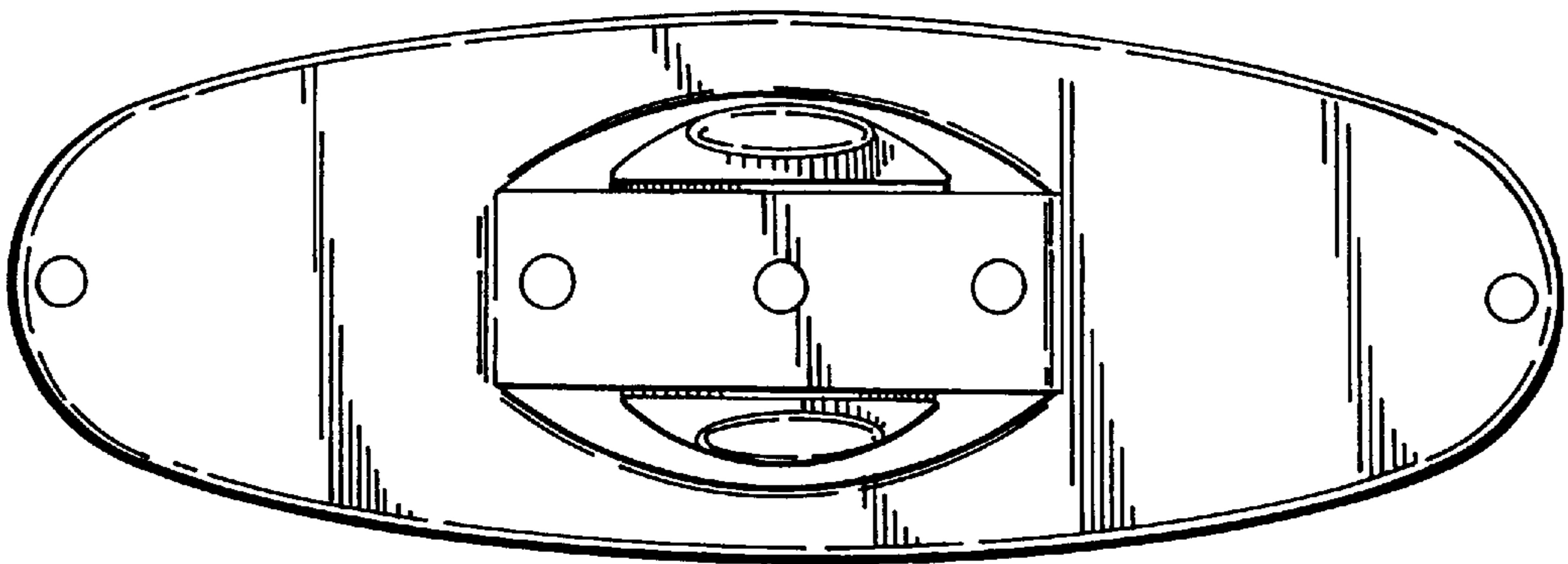


Fig. 9



Fig. 10