



US00D403378S

United States Patent [19]

Lebensfeld et al.

[11] **Patent Number: Des. 403,378**

[45] **Date of Patent: **Dec. 29, 1998**

[54] **TOY MOLDING DEVICE**

3,179,980 4/1965 Ryan et al. 425/DIG. 57
3,309,738 3/1967 Friedman 425/DIG. 57

[75] Inventors: **Steven Lebensfeld**, Laurel Hollow;
Frank Landi, New Rochelle, both of
N.Y.

Primary Examiner—Philip S. Hyder
Assistant Examiner—Adir Aronovich
Attorney, Agent, or Firm—Cowan, Liebowitz & Latman,
P.C.

[73] Assignee: **Toymax Inc.**, Plainview, N.Y.

[**] Term: **14 Years**

[57] CLAIM

[21] Appl. No.: **58,090**

The ornamental design for a toy molding device, as shown
and described.

[22] Filed: **Aug. 7, 1996**

DESCRIPTION

[51] **LOC (6) Cl.** **21-01**

FIG. 1 is a front perspective view of a toy molding device
showing our new design;

[52] **U.S. Cl.** **D21/528**

FIG. 2 is a top elevation view thereof;

[58] **Field of Search** D21/468, 528;

FIG. 3 is a right side elevational view thereof;

425/DIG. 57; 446/70, 491

FIG. 4 is a left side elevational view thereof;

FIG. 5 is a front elevation view thereof;

FIG. 6 is a rear elevation view thereof; and,

FIG. 7 is a bottom elevation view thereof.

[56] References Cited

U.S. PATENT DOCUMENTS

D. 218,185 7/1970 Merino D21/528
D. 371,585 7/1996 Lebensfeld D21/468

1 Claim, 5 Drawing Sheets

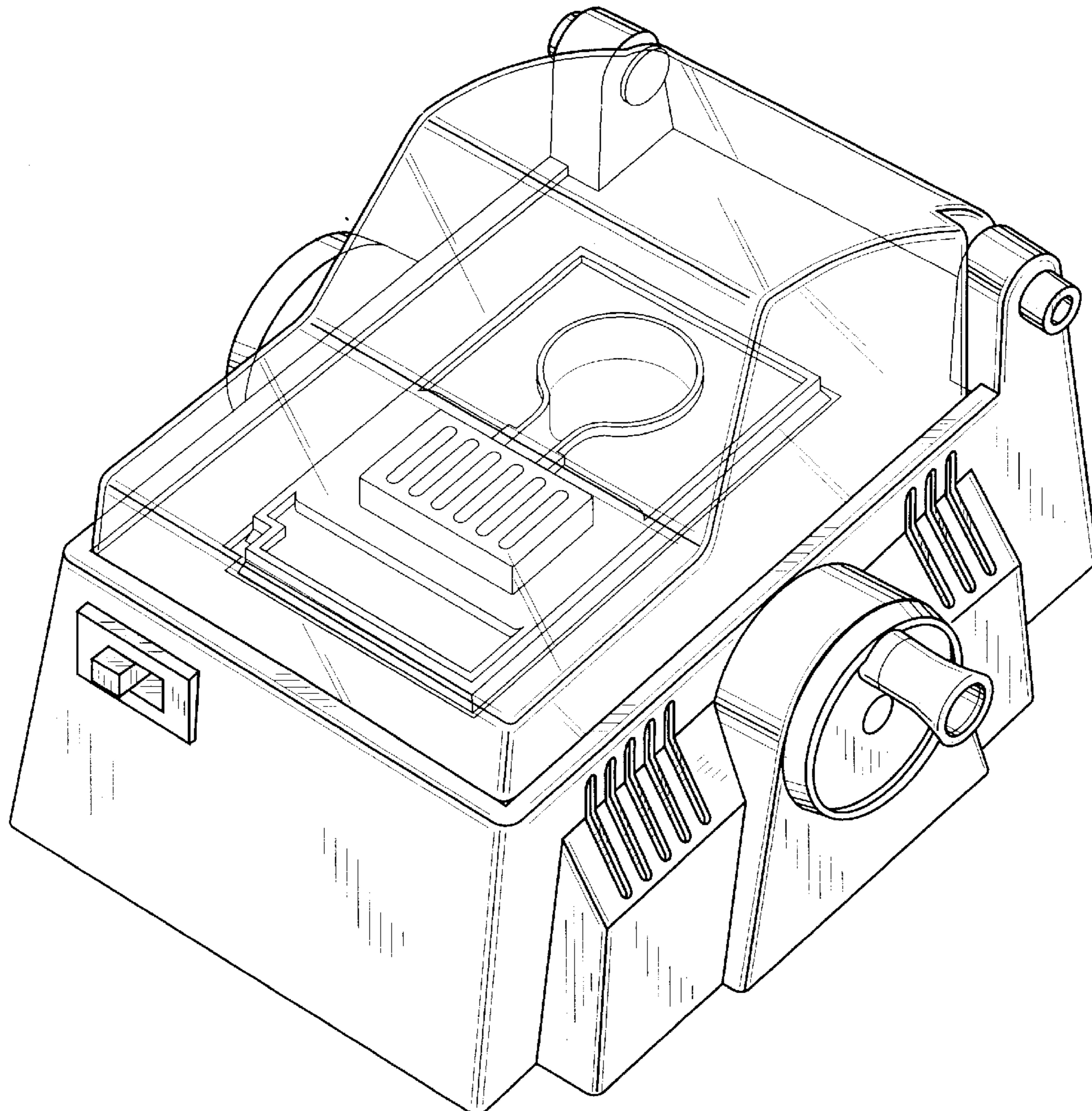


FIG. 1

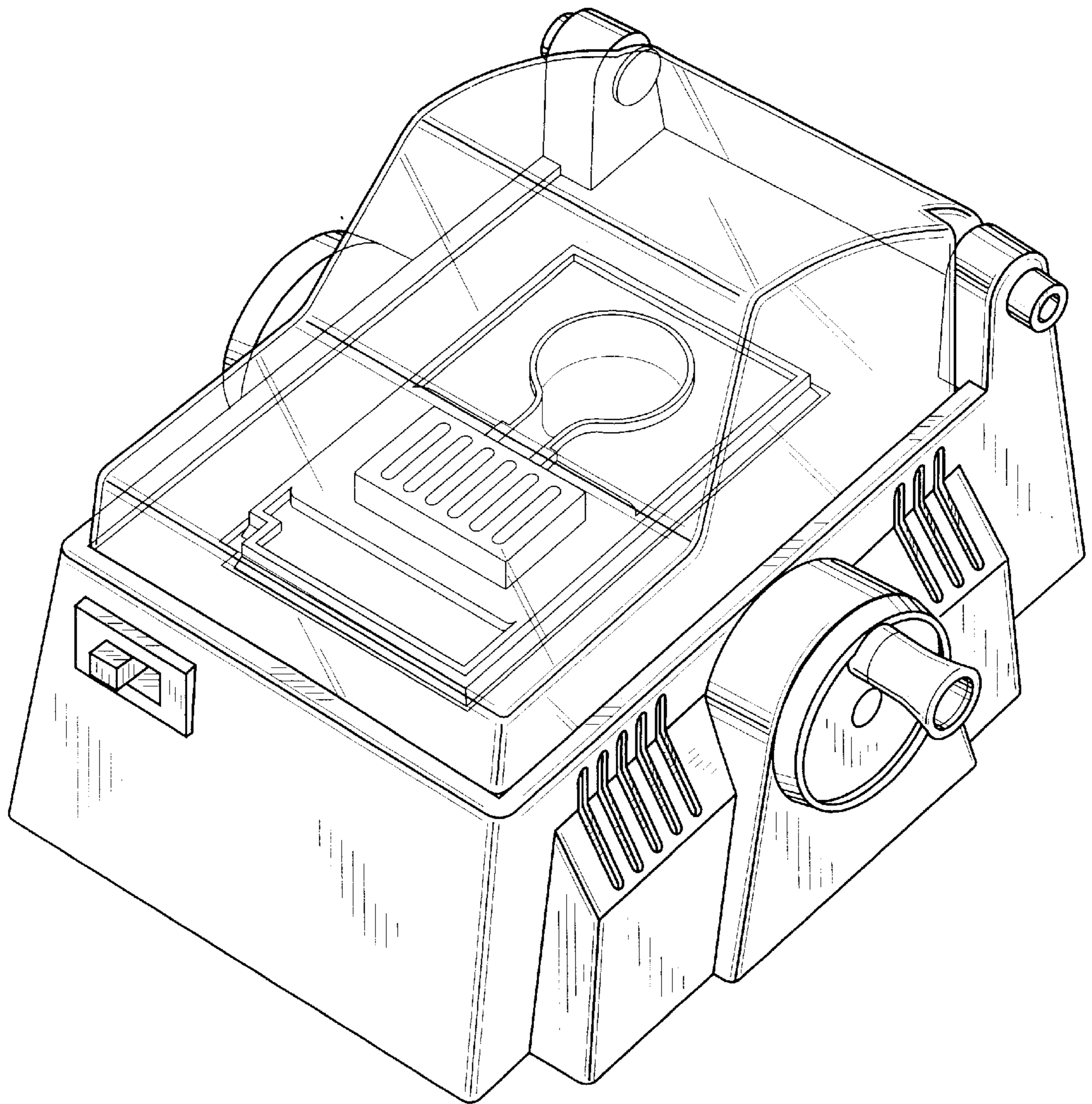


FIG. 2

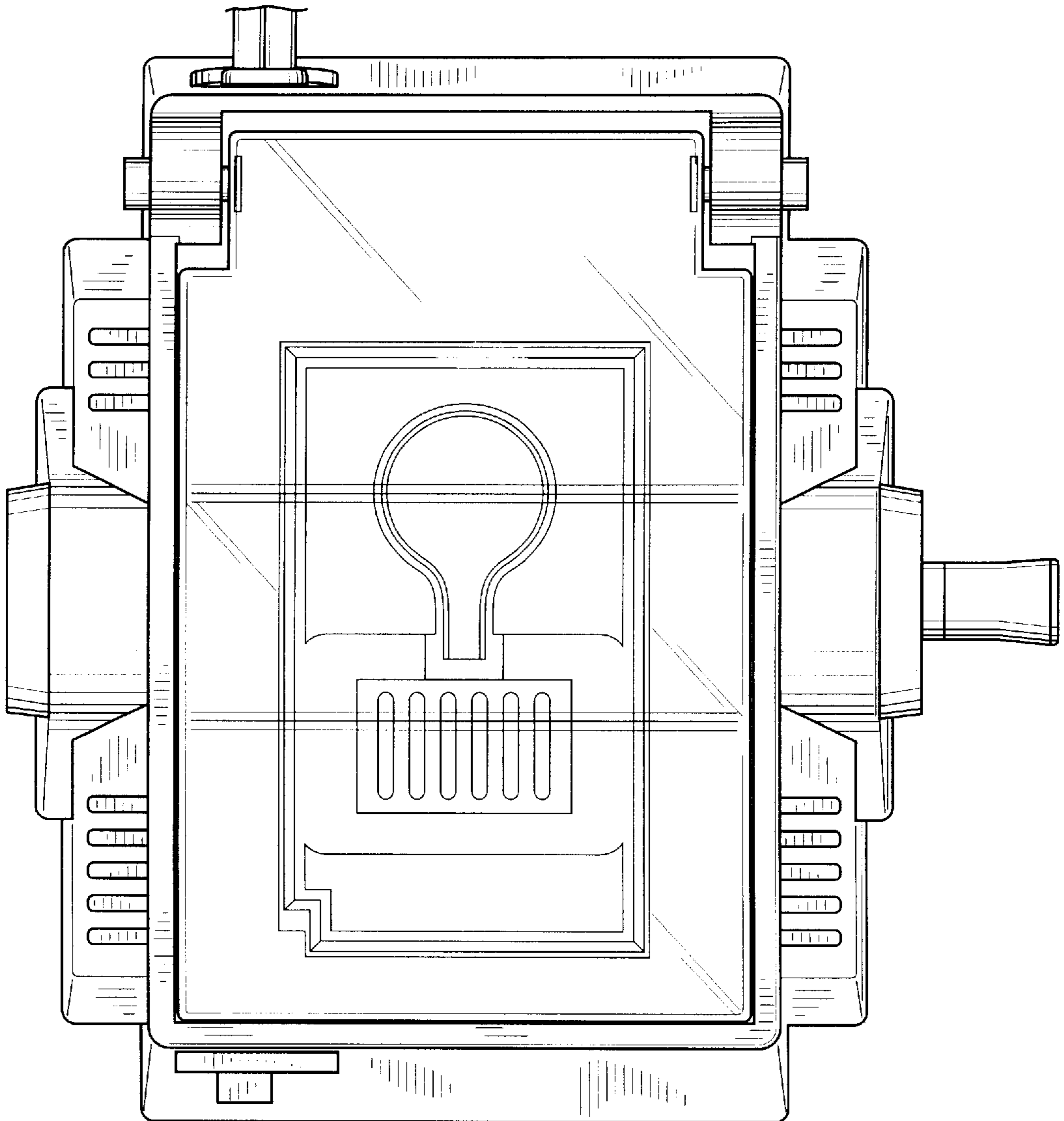


FIG. 3

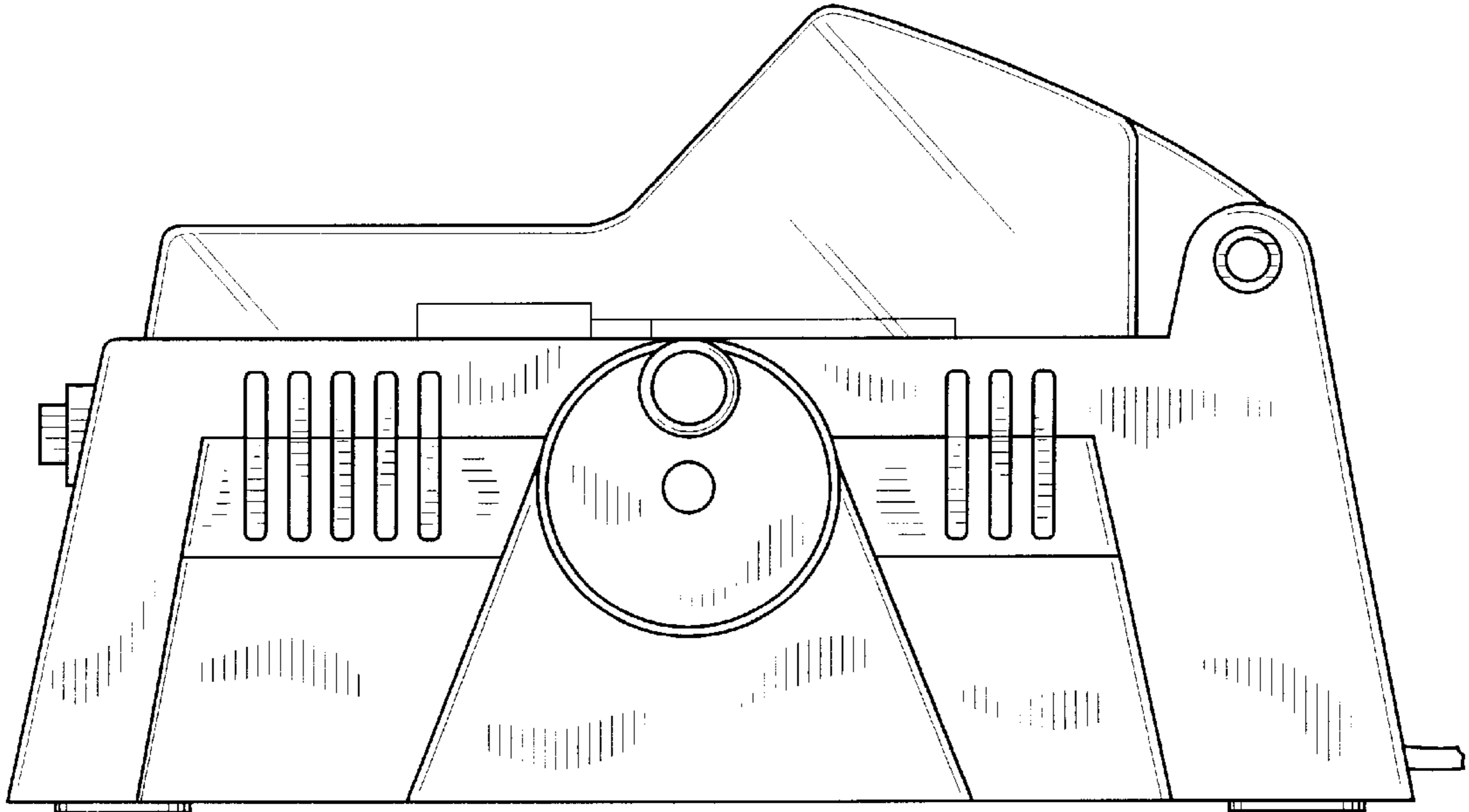


FIG. 4

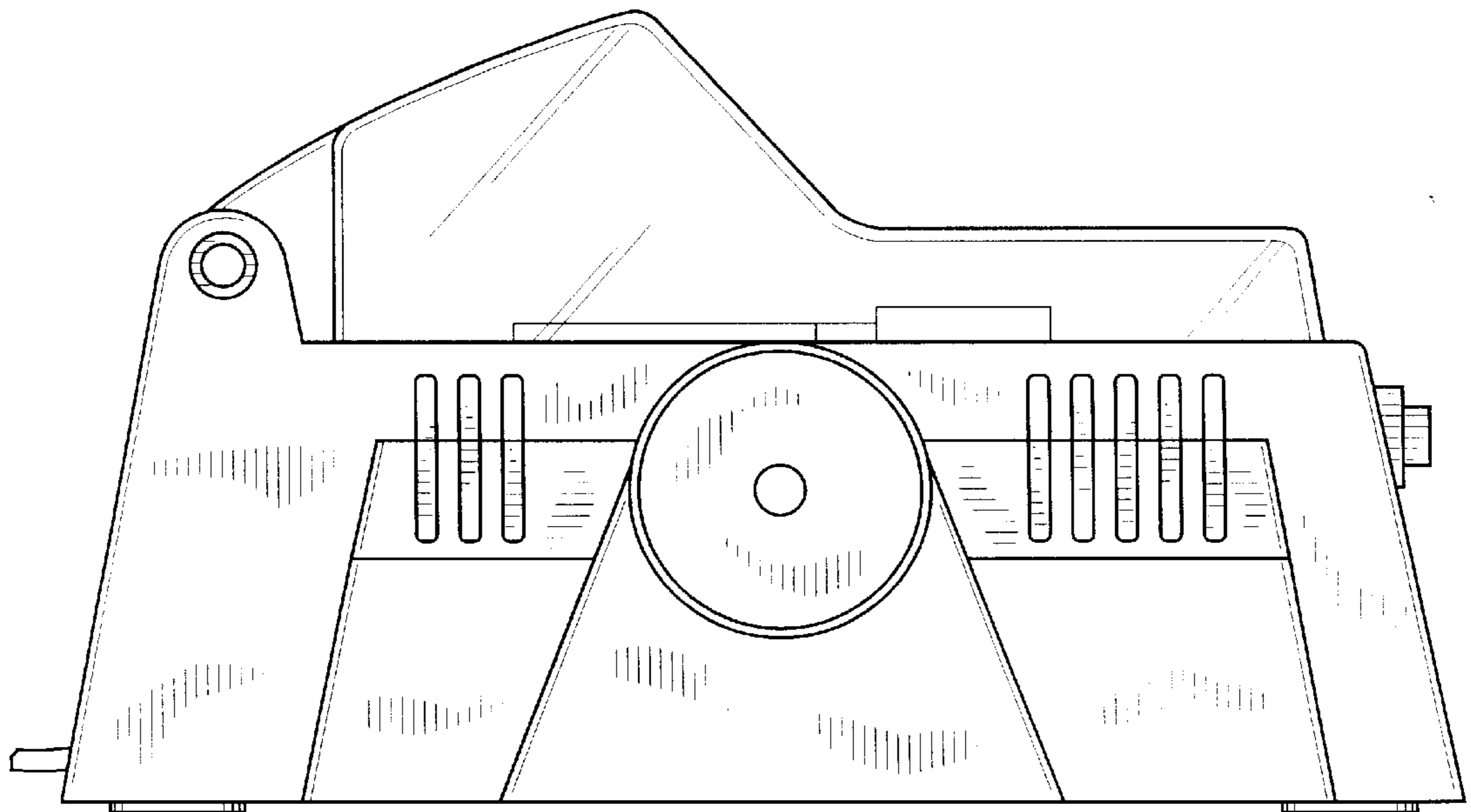


FIG. 5

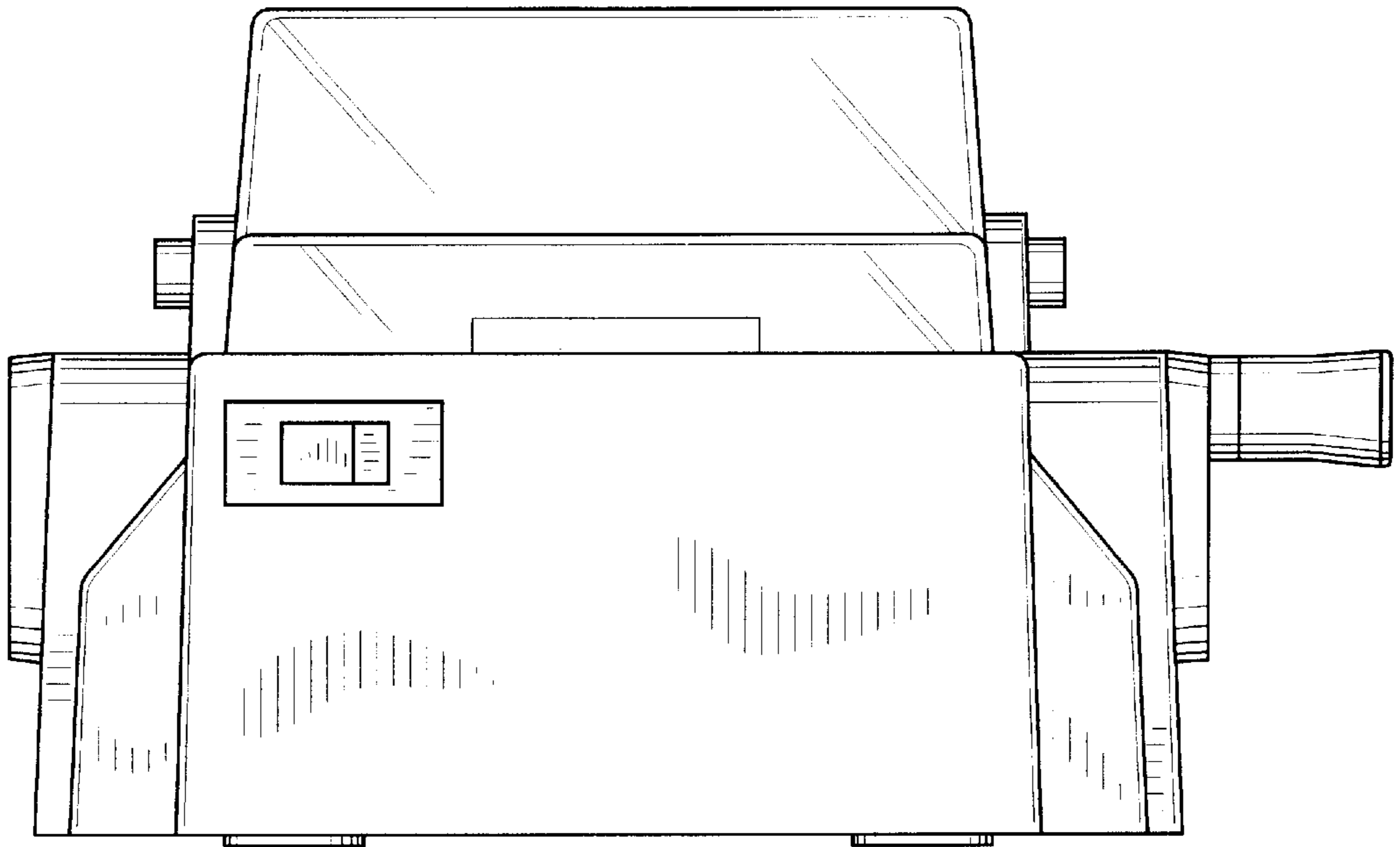


FIG. 6

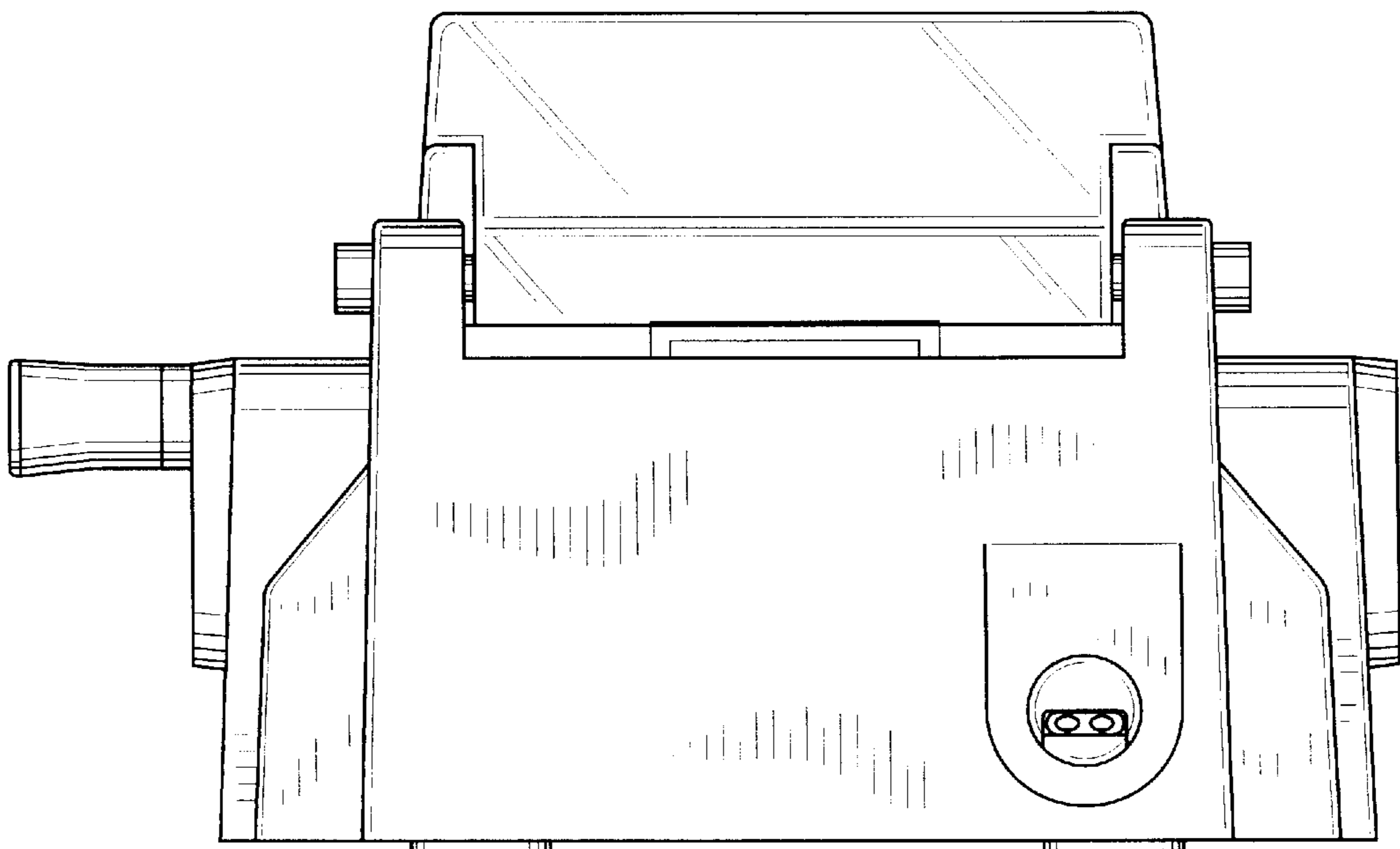


FIG. 7

