



US00D403359S

United States Patent [19] Dahl

[11] **Patent Number: Des. 403,359**

[45] **Date of Patent: **Dec. 29, 1998**

[54] **DUMMY**

5,044,960 9/1991 De Porteous 434/274

[76] Inventor: **Sverker Dahl**, Stenberget, 270 35
Blentarp, Sweden

[**] Term: **14 Years**

[21] Appl. No.: **77,799**

[22] Filed: **Oct. 14, 1997**

[30] Foreign Application Priority Data

Apr. 16, 1997 [SE] Sweden 970890

[51] **LOC (6) Cl.** **21-01**

[52] **U.S. Cl.** **D20/31**

[58] **Field of Search** D20/10, 29, 30,
D20/31, 32, 33; 434/267, 274; 223/66,
67; D21/166, 189; 73/866.4

[56] References Cited

U.S. PATENT DOCUMENTS

D. 187,177	2/1960	Lawson	D20/31
D. 221,007	6/1971	Morin et al.	D21/166
D. 345,764	4/1994	Duncan et al.	D20/31
4,630,462	12/1986	Stringer	223/66
4,701,132	10/1987	Groesch et al.	434/274
4,798,317	1/1989	Lonczak	223/66

FOREIGN PATENT DOCUMENTS

2358716	2/1978	France .
651402	of 0000	U.S.S.R. .
2231433	11/1990	United Kingdom .
2309814	8/1997	United Kingdom .

OTHER PUBLICATIONS

Derwent's Abstract, No. L1781 B/48 week 7948 of SU 651402.

Primary Examiner—Susan J. Lucas
Assistant Examiner—Jennifer Rivard
Attorney, Agent, or Firm—Beveridge, DeGrandi, Weilacher & Young, LLP

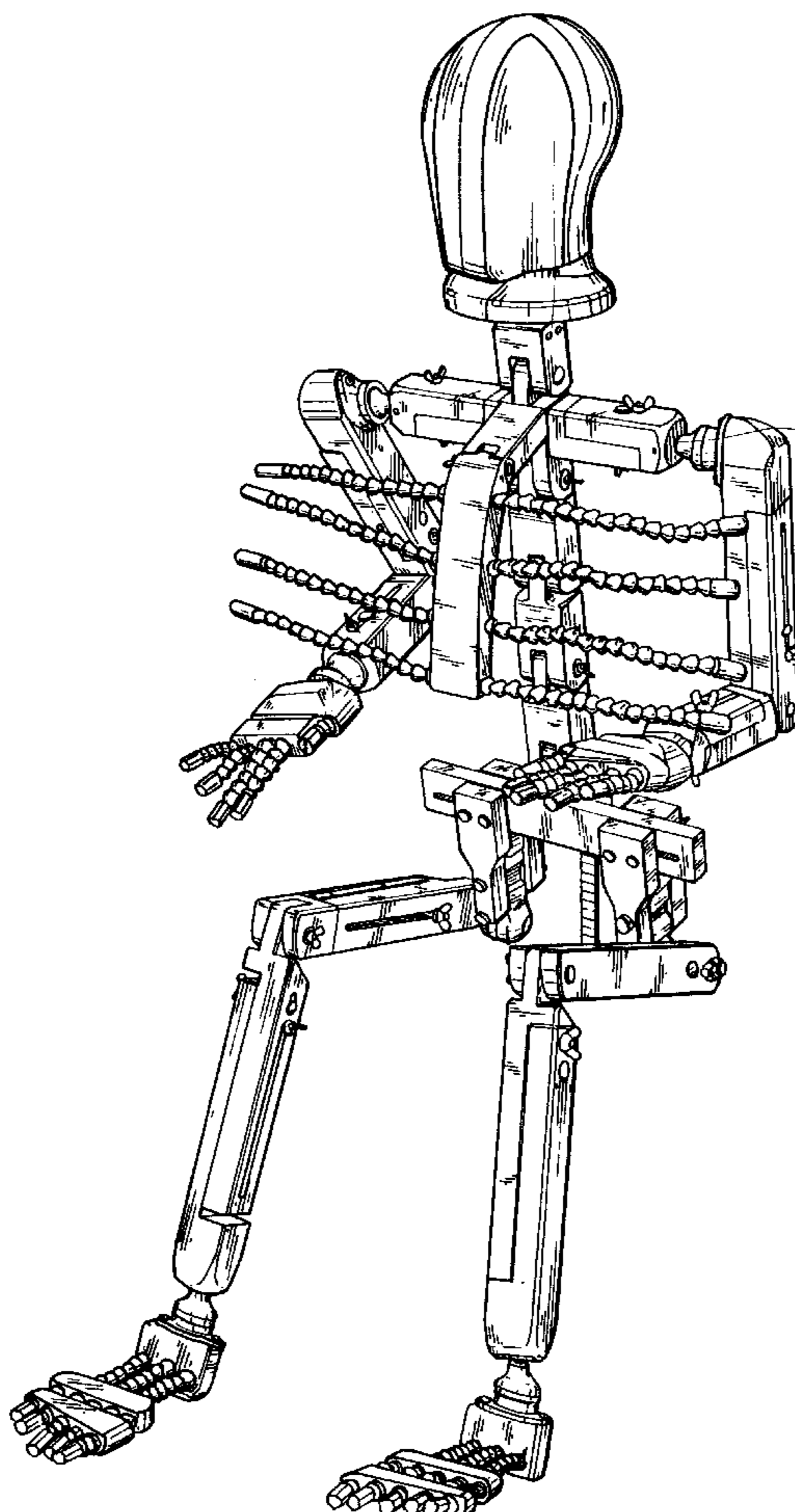
[57] CLAIM

The ornamental design for a dummy, as shown.

DESCRIPTION

FIG. 1 is a perspective view showing the front side and the left-hand side of a dummy according to the invention; and, FIG. 2 is a perspective view showing the rear side and the right-hand side of the dummy.

1 Claim, 2 Drawing Sheets



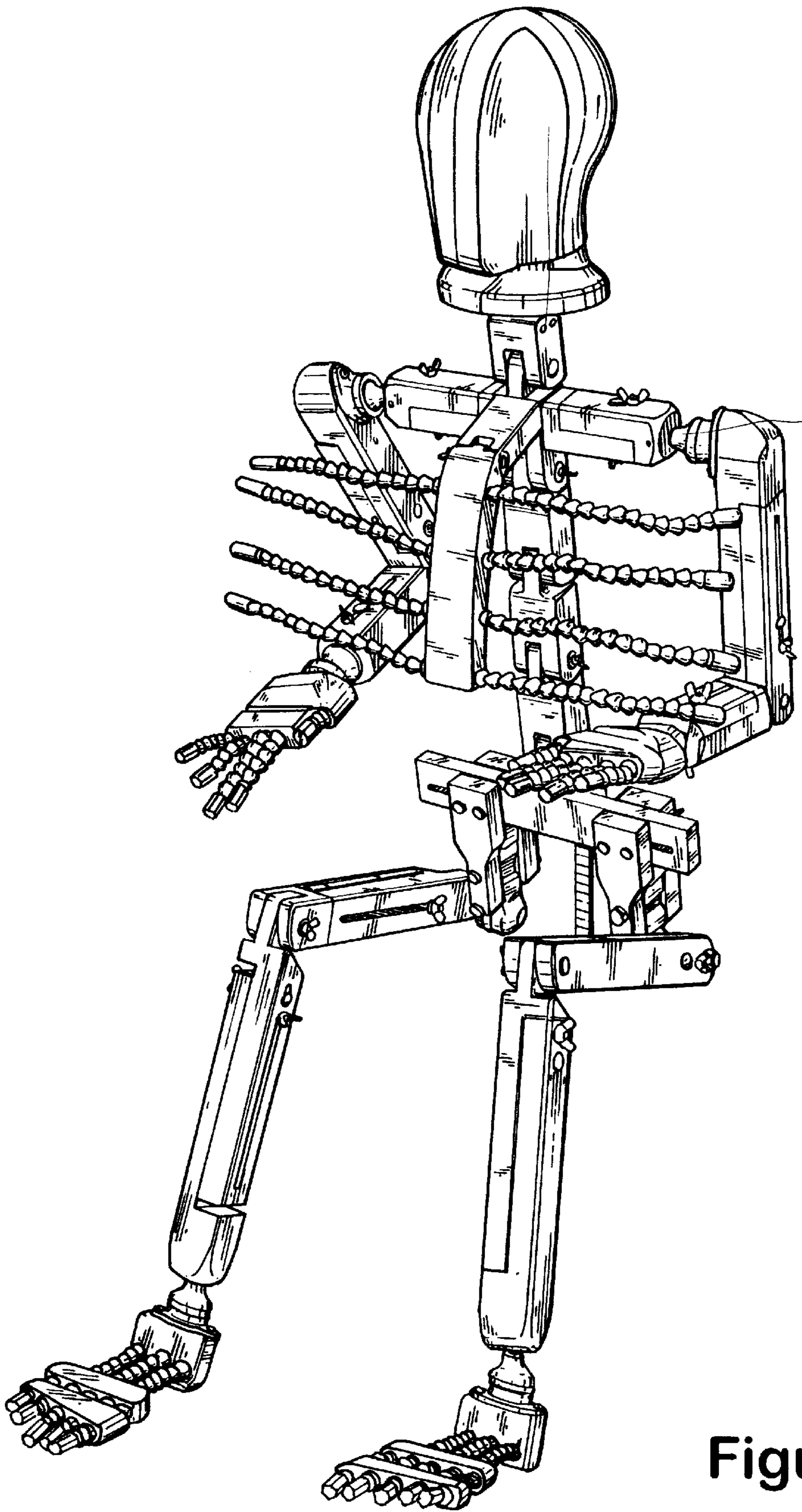


Figure. 1

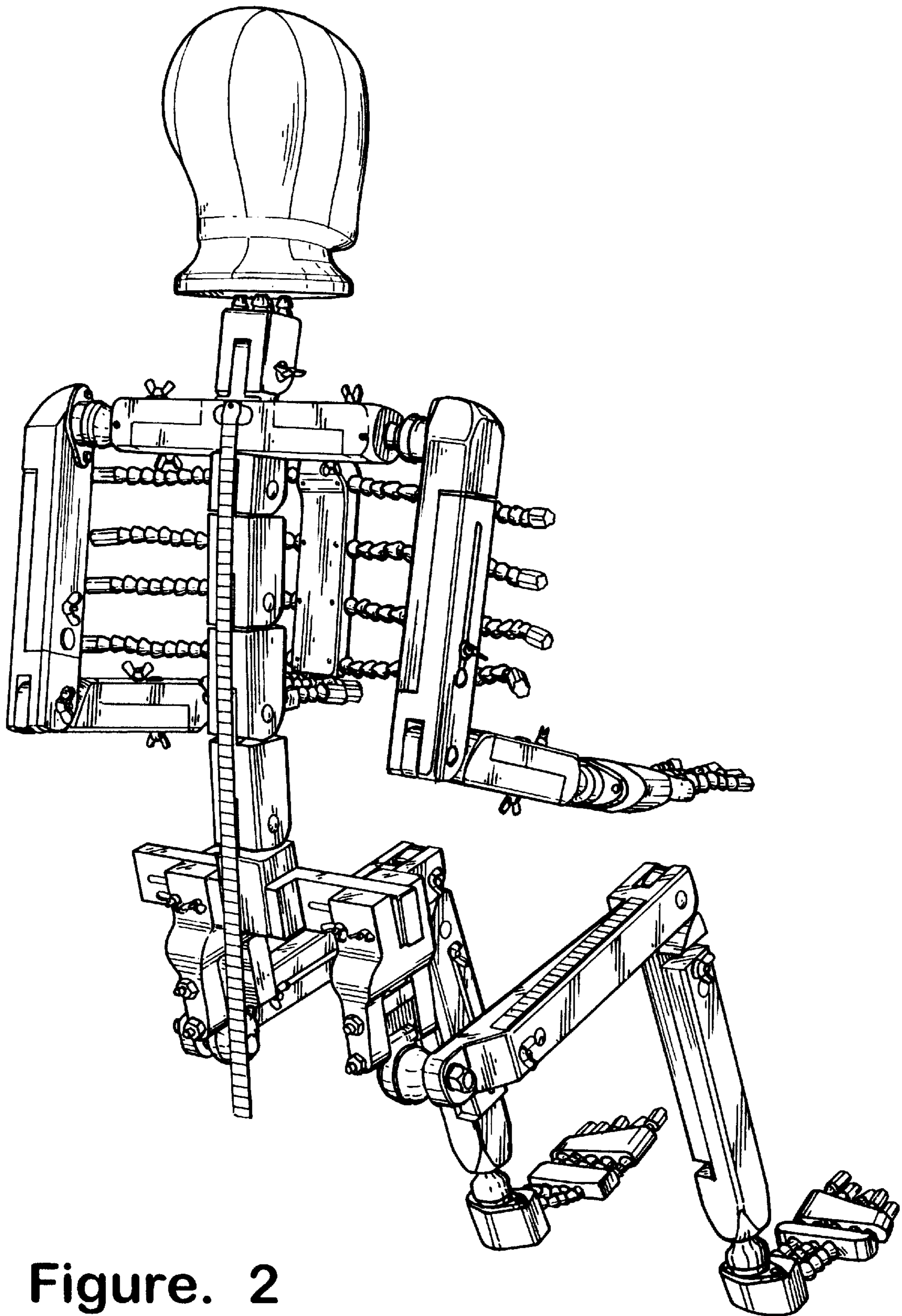


Figure. 2