



US00D403355S

United States Patent [19] Fillion

[11] Patent Number: Des. 403,355

[45] Date of Patent: **Dec. 29, 1998

[54] **MULTI-HEADED WRITING INSTRUMENT**

[76] Inventor: **Cumi G. Fillion**, 606 Mack Dr.,
Valdosta, Ga. 31602

[**] Term: **14 Years**

[21] Appl. No.: **84,940**

[22] Filed: **Mar. 12, 1998**

[51] **LOC (6) Cl.** **19-06**

[52] **U.S. Cl.** **D19/36; D19/49; D19/51**

[58] **Field of Search** D19/35, 36, 41-51,
D19/53-58, 81-85; 401/52, 195, 6, 7, 29,
21, 27, 30, 34, 35, 99, 131, 209; 15/3.53,
424, 427, 428, 435

[56] **References Cited**

U.S. PATENT DOCUMENTS

D. 144,402	4/1946	Lijoic, Jr.	D19/36
D. 144,621	5/1946	Kahn	D19/48
D. 234,226	1/1975	Malm et al.	D19/49 X
D. 300,087	3/1989	Henderson	D19/51 X
D. 307,602	5/1990	Lee	D19/49
D. 319,467	8/1991	Clowes	D19/36
D. 344,130	2/1994	Craig	D19/49 X
D. 363,740	10/1995	Quimby	D19/46
645,487	3/1900	Ogle	401/34 X
1,977,527	10/1934	Pahle	401/35
2,370,414	2/1945	Ostrander	401/34 X
2,510,302	6/1950	White	401/131

Primary Examiner—Martie K. Holtje
Attorney, Agent, or Firm—Morris, Manning & Martin,
L.L.P.

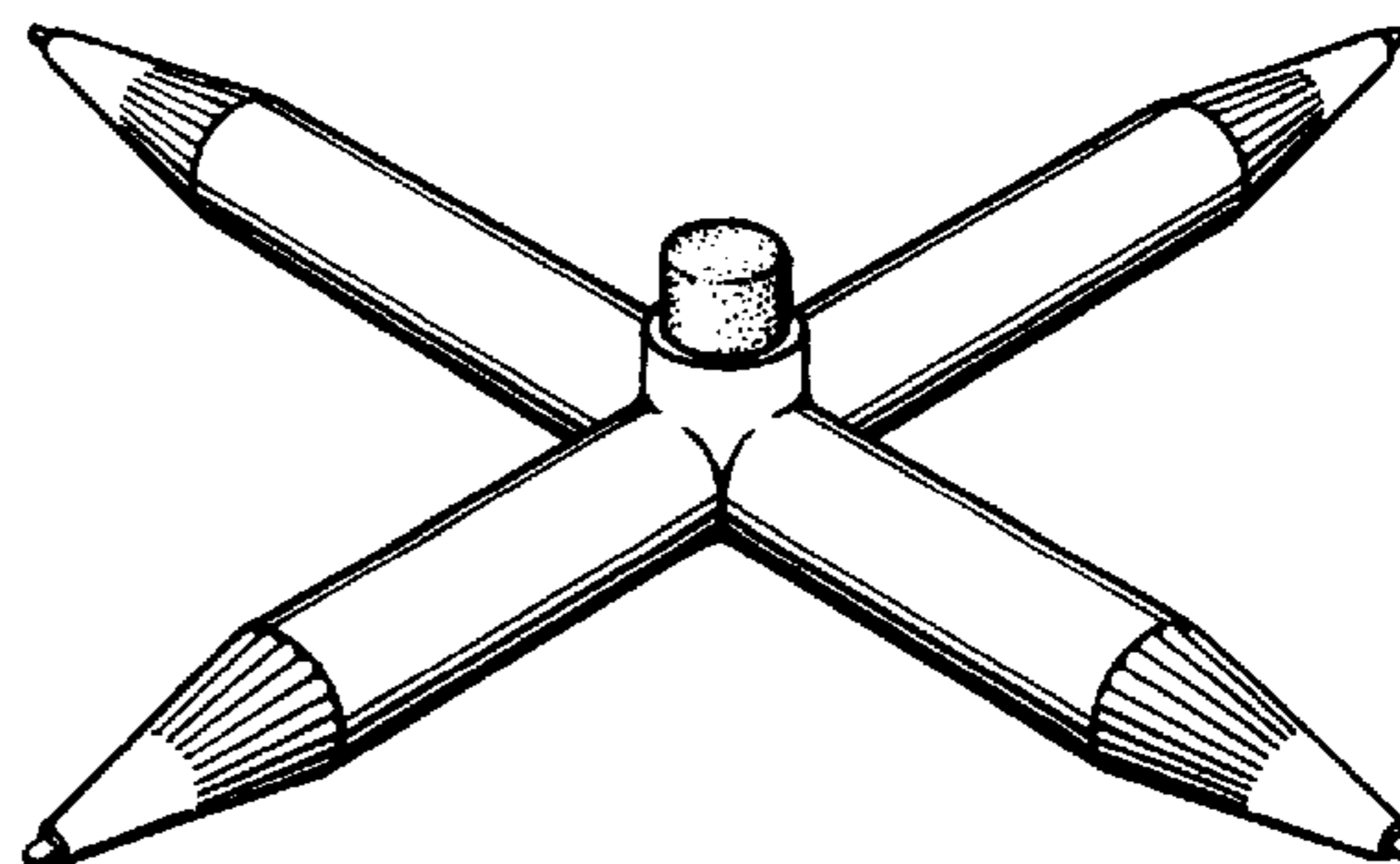
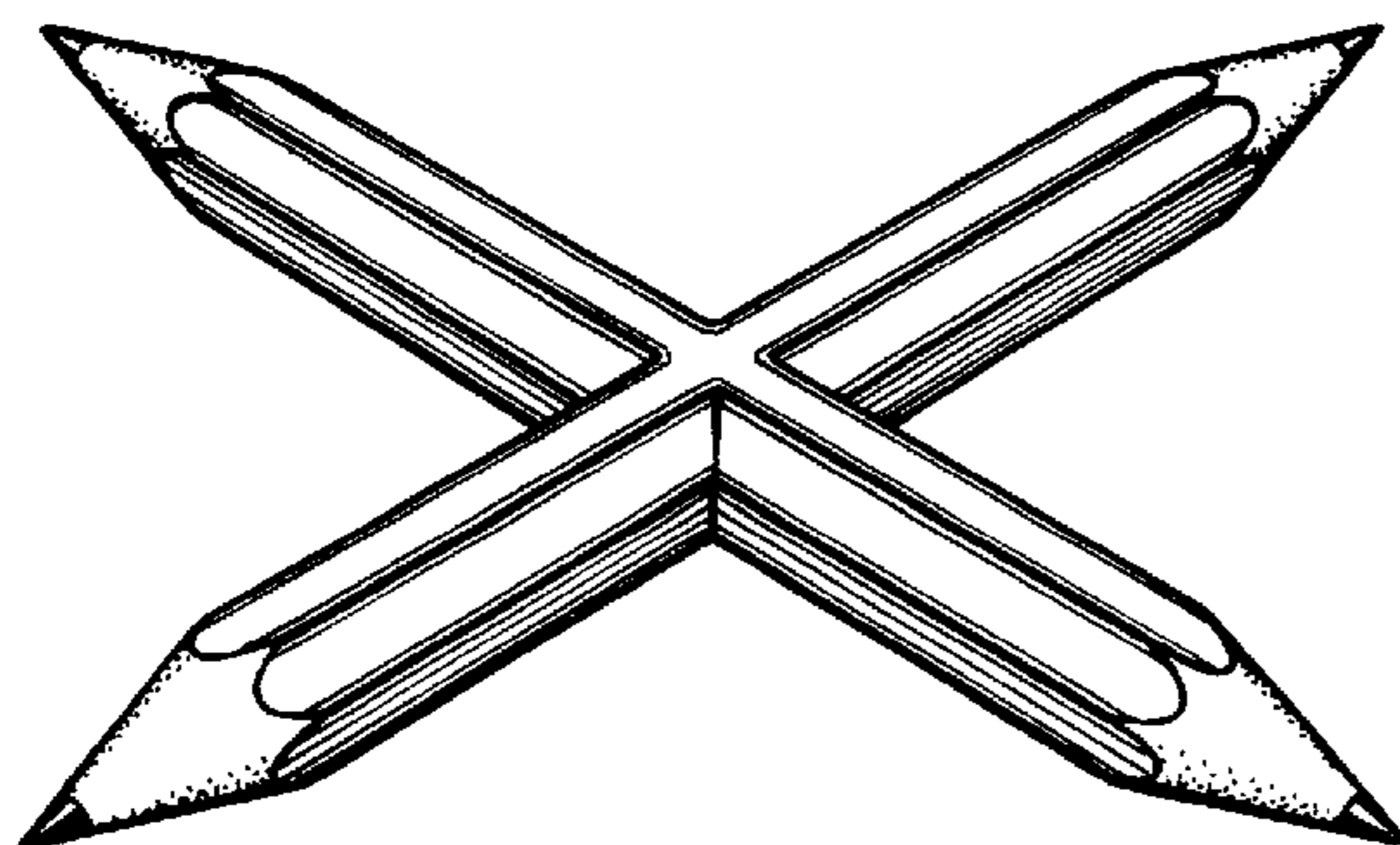
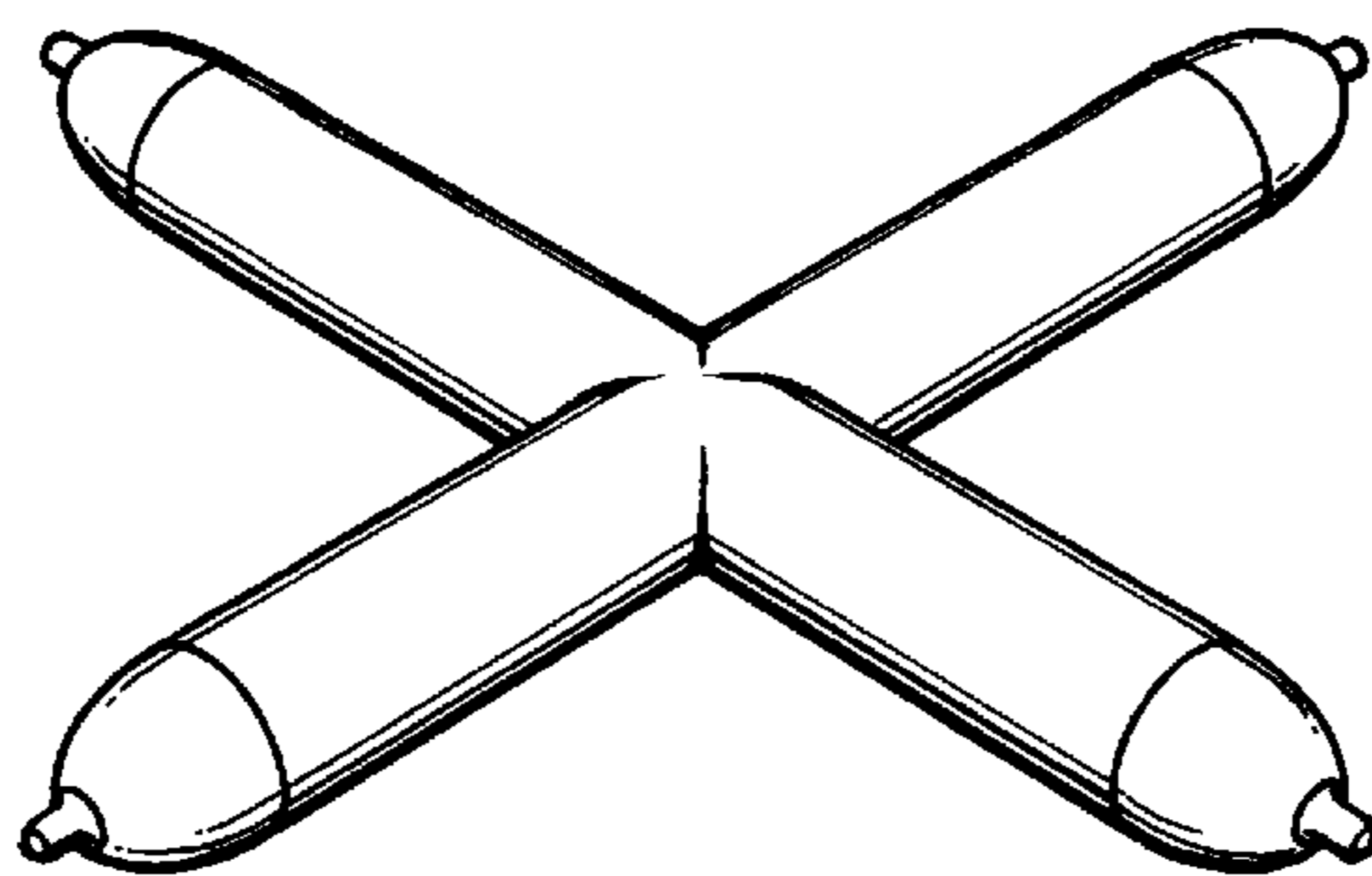
[57] **CLAIM**

The ornamental design for a multi-headed writing instrument, as shown and described.

DESCRIPTION

FIG. 1 is a perspective view of my new design for a multi-headed writing instrument;
FIG. 2 is a top plan of the multi-headed writing instrument of FIG. 1;
FIG. 3 is a side view of the multi-headed writing instrument of FIG. 1;
FIG. 4 is a perspective view of another embodiment of my new design for a multi-headed writing instrument;
FIG. 5 is a top plan of the multi-headed writing instrument of FIG. 4;
FIG. 6 is a side view of the multi-headed writing instrument of FIG. 4;
FIG. 7 is a perspective view of another embodiment of my new design for a multi-headed writing instrument;
FIG. 8 is a top plan of the multi-headed writing instrument of FIG. 7;
FIG. 9 is a side view of the multi-headed writing instrument of FIG. 7;
FIG. 10 is a perspective view of another embodiment of my new design for a multi-headed writing instrument;
FIG. 11 is a bottom plan of the multi-headed writing instrument of FIG. 10;
FIG. 12 is a side view of the multi-headed writing instrument of FIG. 10; and,
FIG. 13 is a top plan view of the multi-headed writing instrument of FIG. 10.

1 Claim, 2 Drawing Sheets



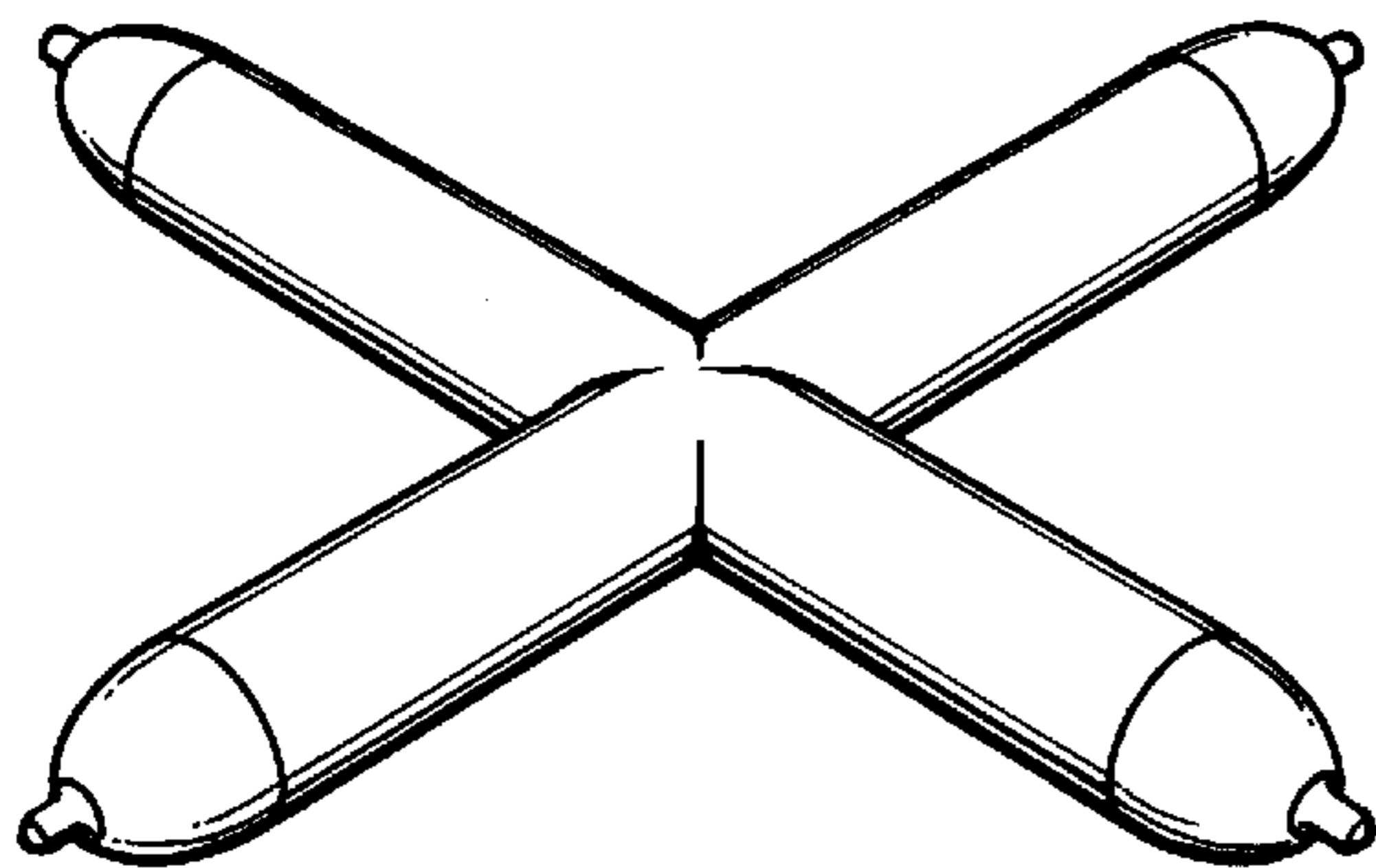


FIG 1

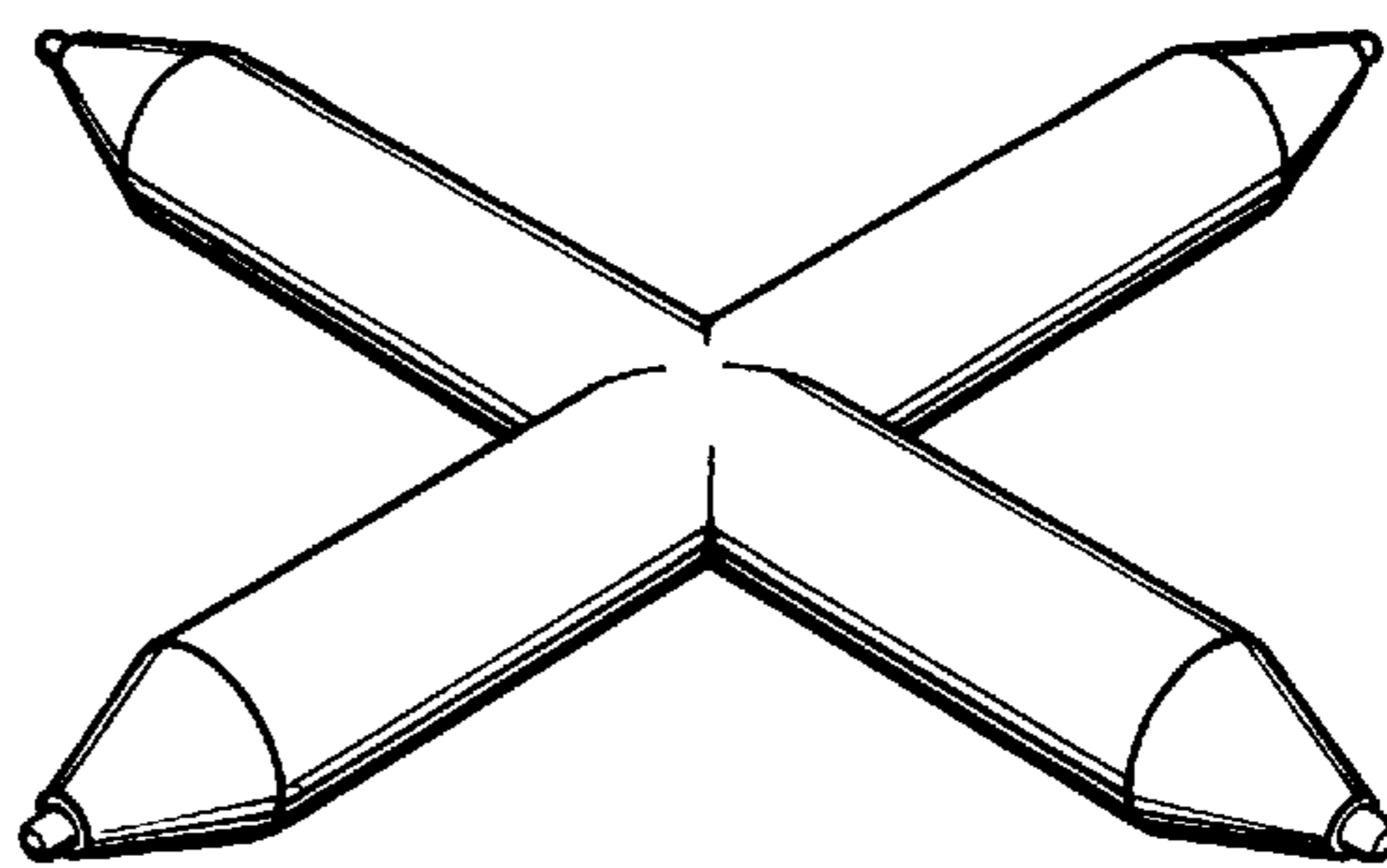


FIG 4

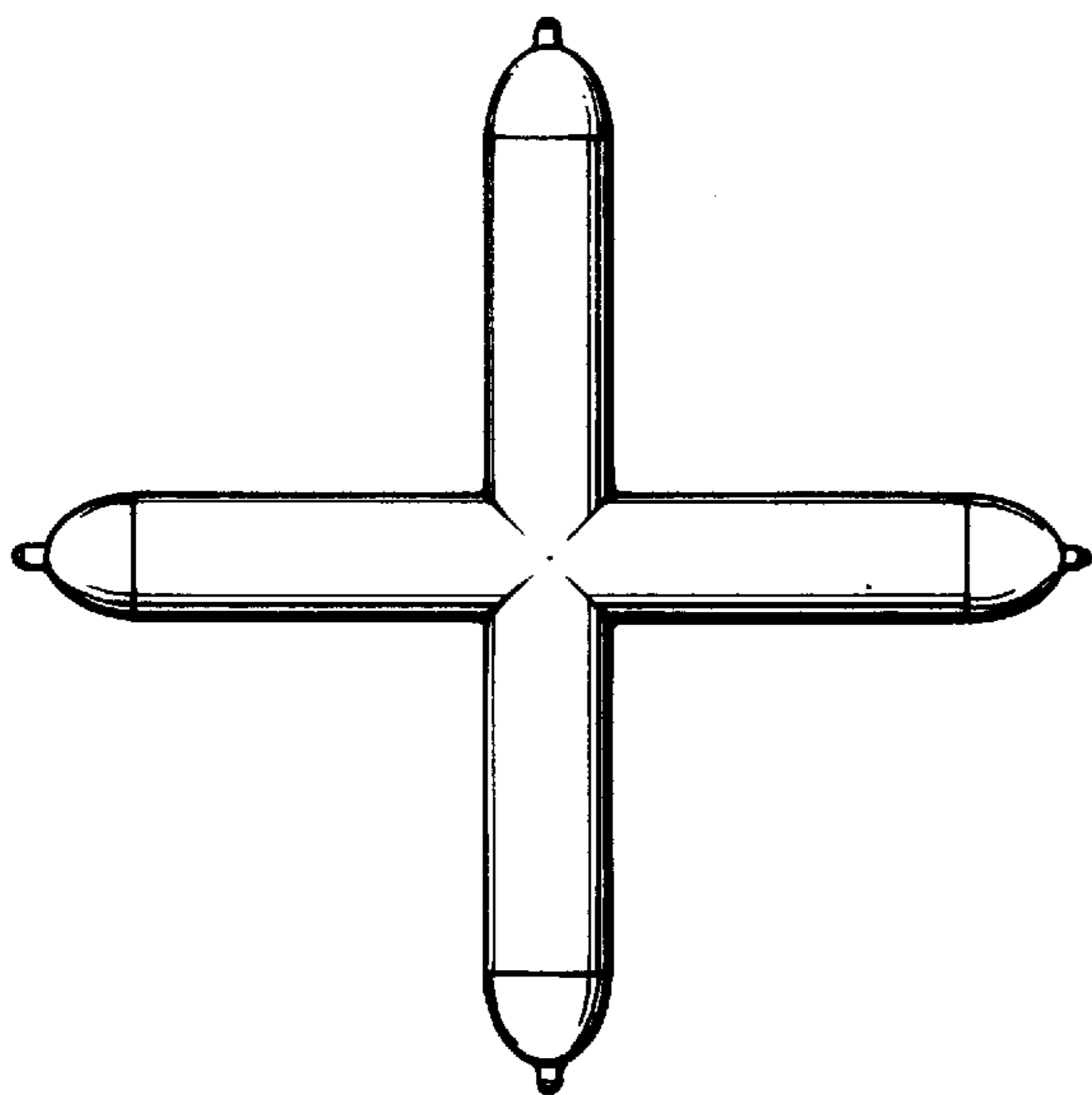


FIG 2

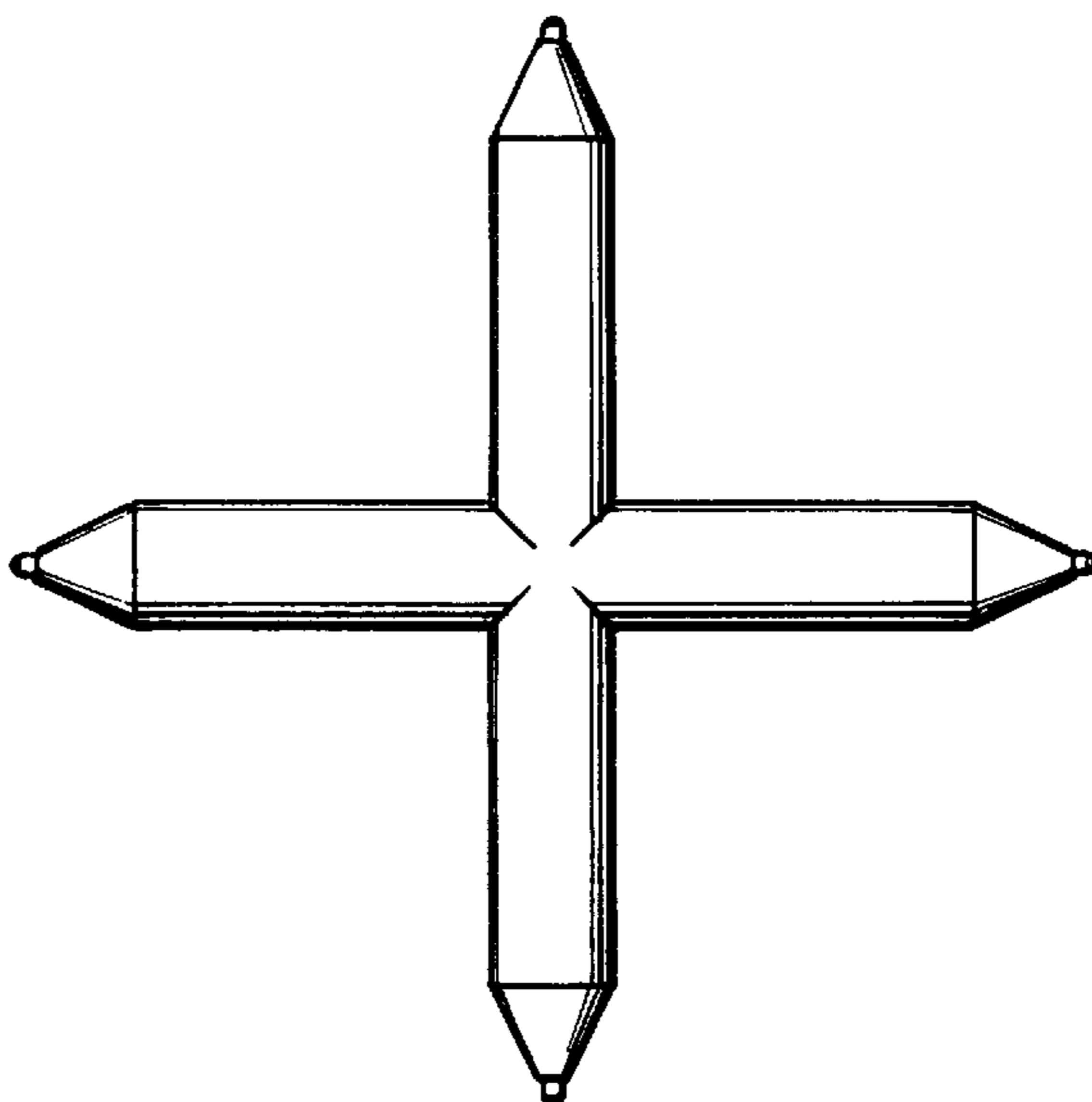


FIG 5



FIG 3



FIG 6

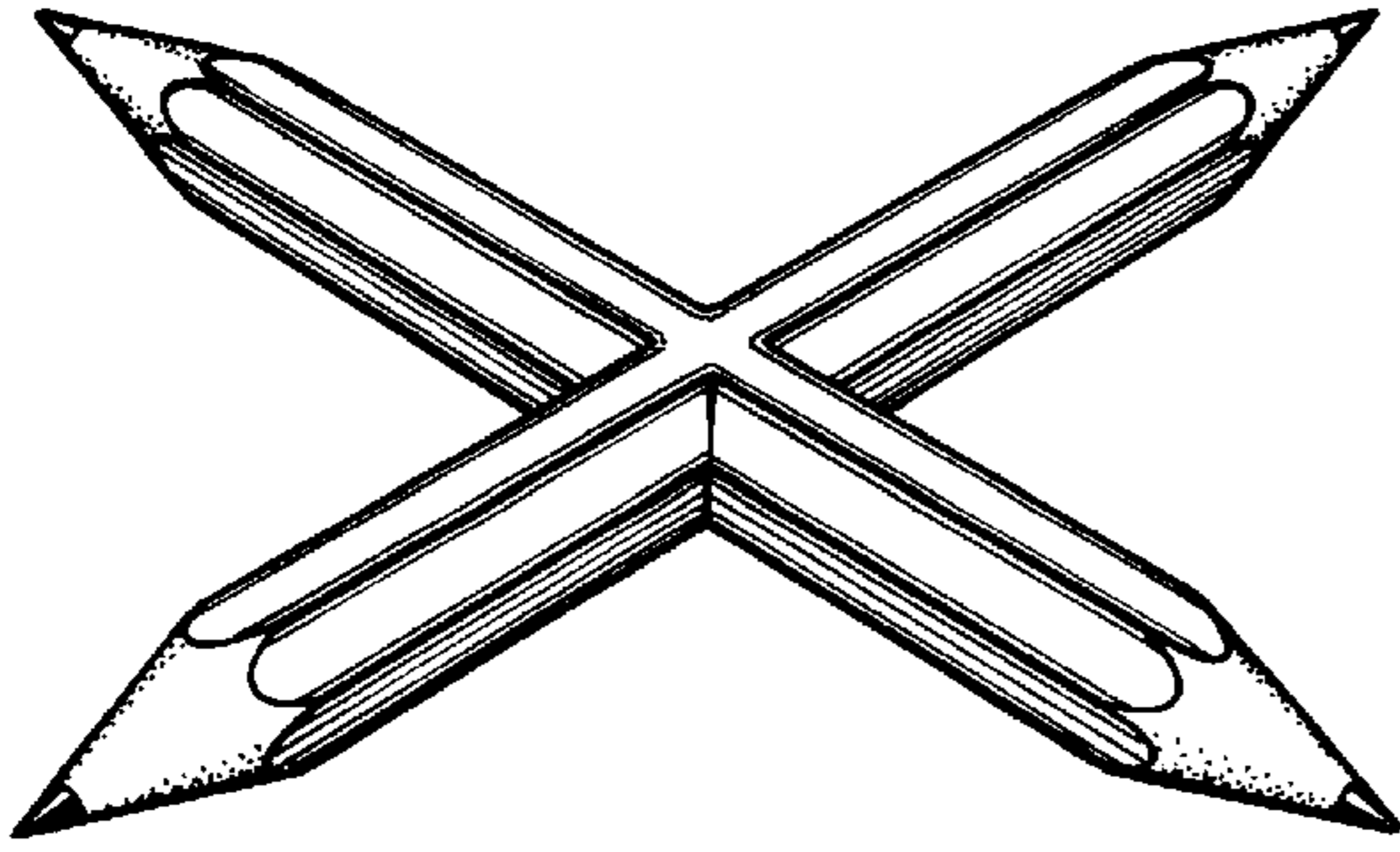


FIG 7

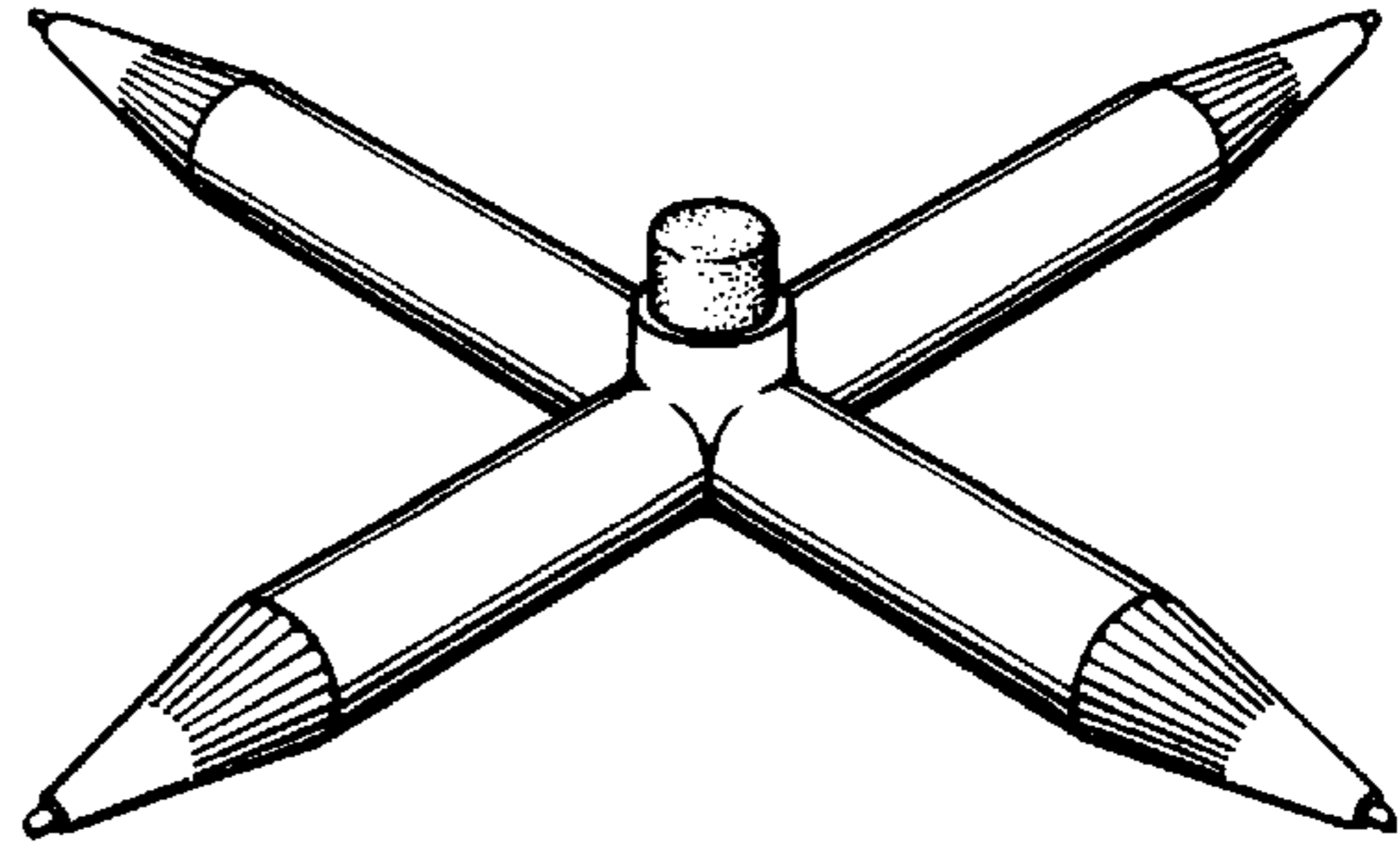


FIG 10

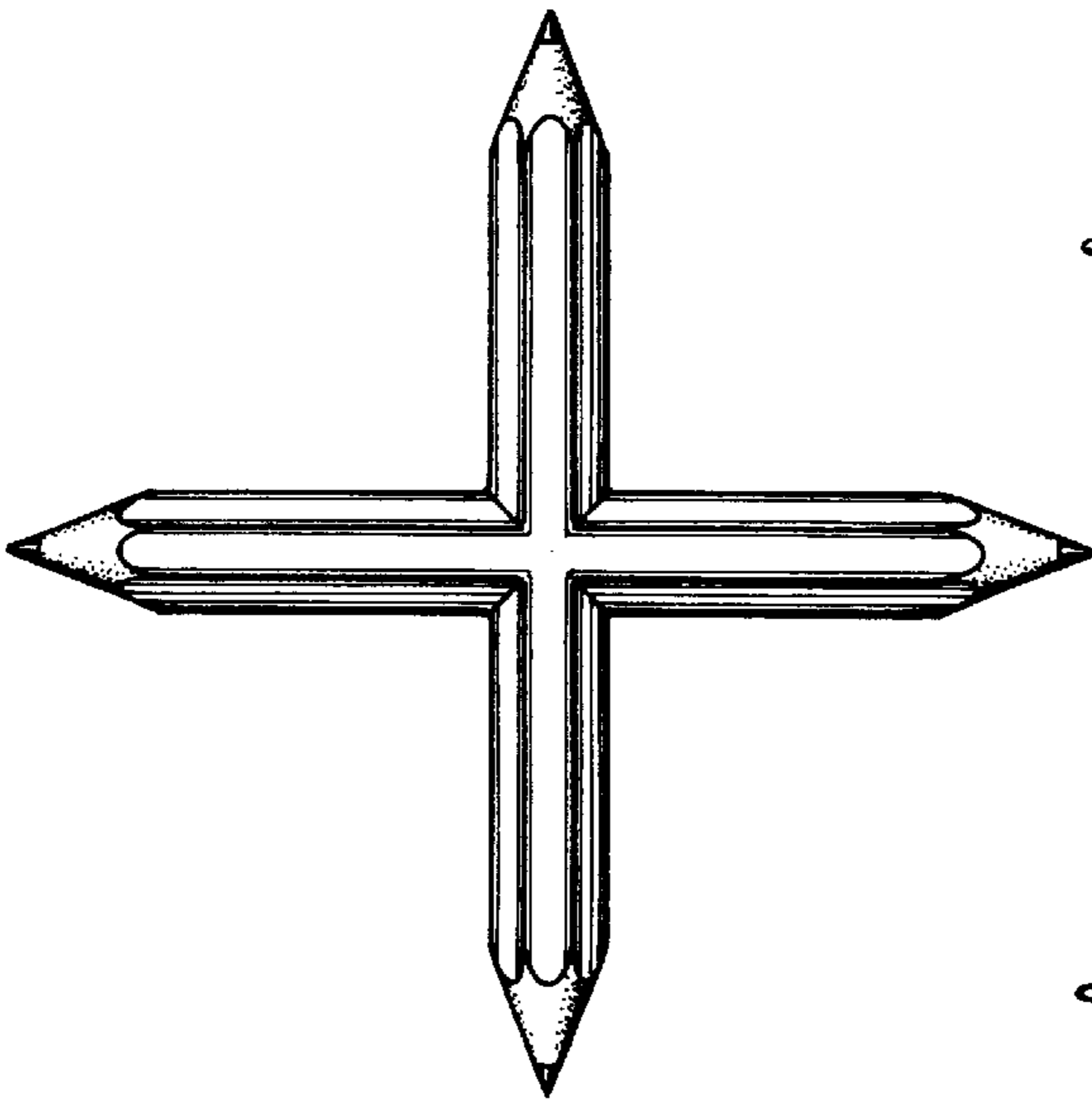


FIG 8

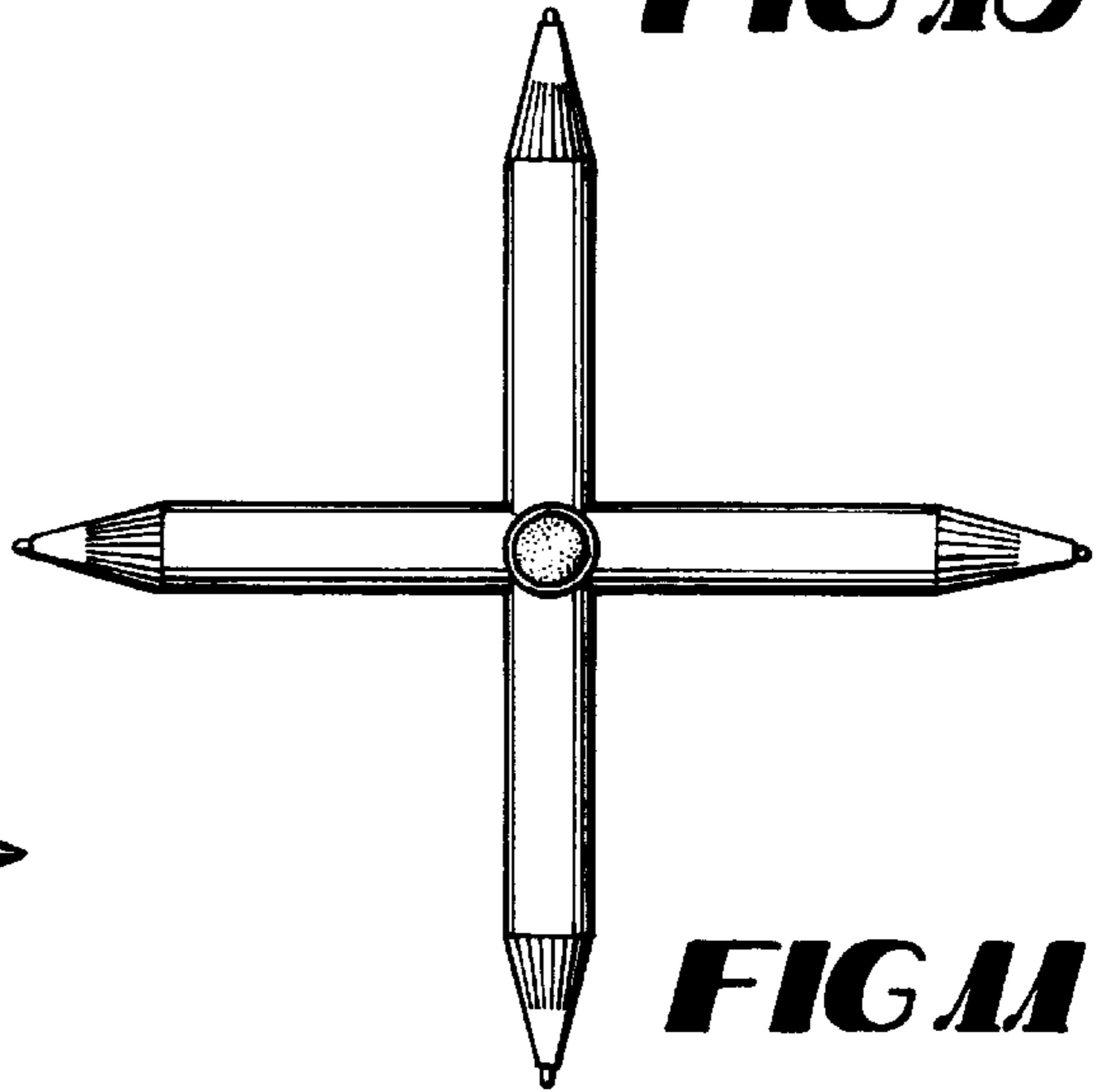


FIG 11

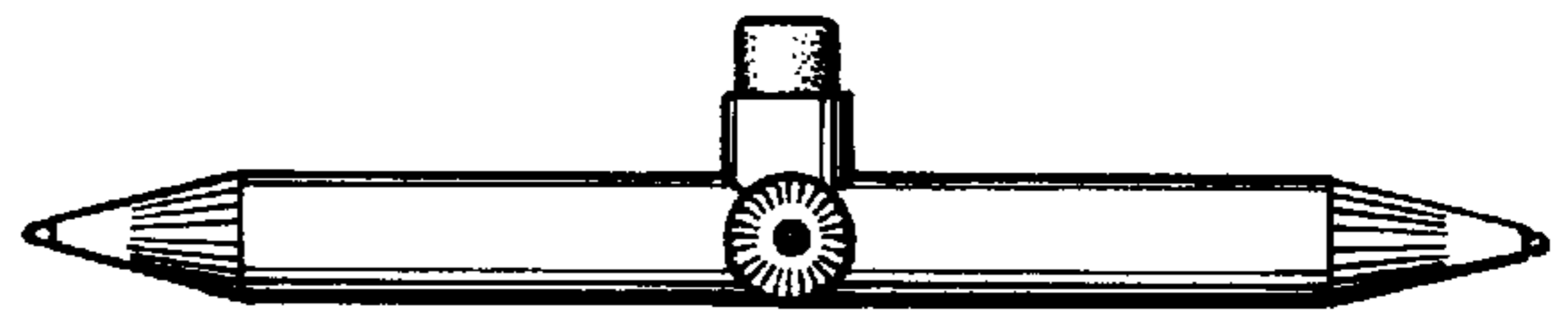


FIG 12



FIG 9

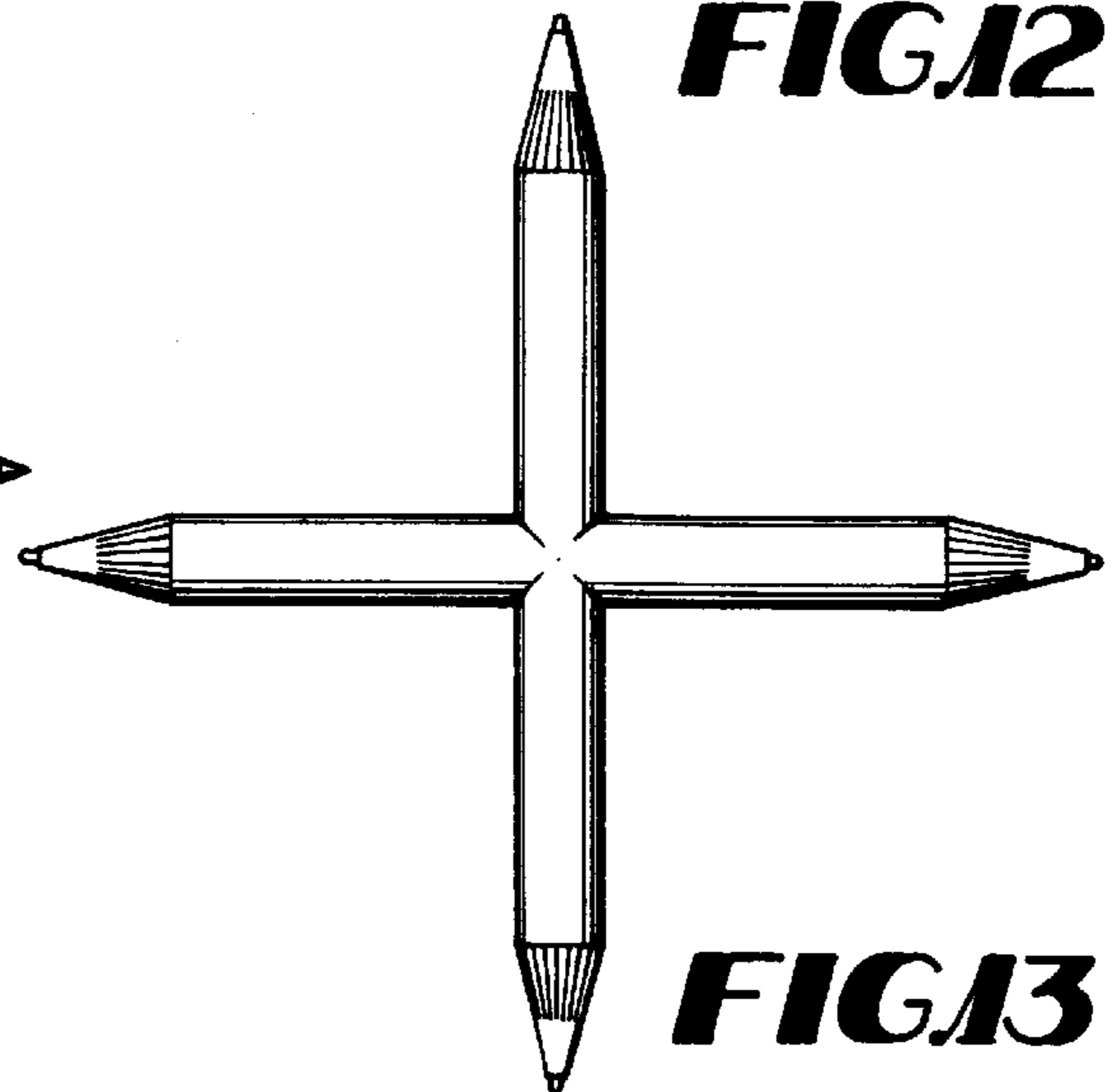


FIG 13