



US00D403348S

United States Patent [19]

Matsuoka et al.

[11] **Patent Number: Des. 403,348**

[45] **Date of Patent: **Dec. 29, 1998**

[54] **TONER CONTAINER**

[75] Inventors: **Isao Matsuoka**, Hachioji; **Ryo Takimura**, Tokyo; **Yozo Fujii**, Hachioji; **Takashi Tamura**, Akishima, all of Japan

[73] Assignee: **Konica Corporation**, Tokyo, Japan

[**] Term: **14 Years**

[21] Appl. No.: **80,389**

[22] Filed: **Dec. 8, 1997**

[30] **Foreign Application Priority Data**

Jun. 10, 1997 [JP] Japan 9-57379

[51] **LOC (6) Cl.** **16-03**

[52] **U.S. Cl.** **D18/43**

[58] **Field of Search** D18/40, 43, 56;
399/24, 27, 106, 262

[56] **References Cited**

U.S. PATENT DOCUMENTS

D. 242,528 11/1976 Weckman D18/43 X

D. 351,187 10/1994 Suga D18/40 X
D. 364,184 11/1995 Satake et al. D18/43
D. 376,614 12/1996 Ichikawa et al. D18/40 X

Primary Examiner—Caron D. Veynar
Attorney, Agent, or Firm—Frishauf, Holtz, Goodman, Langer & Chick

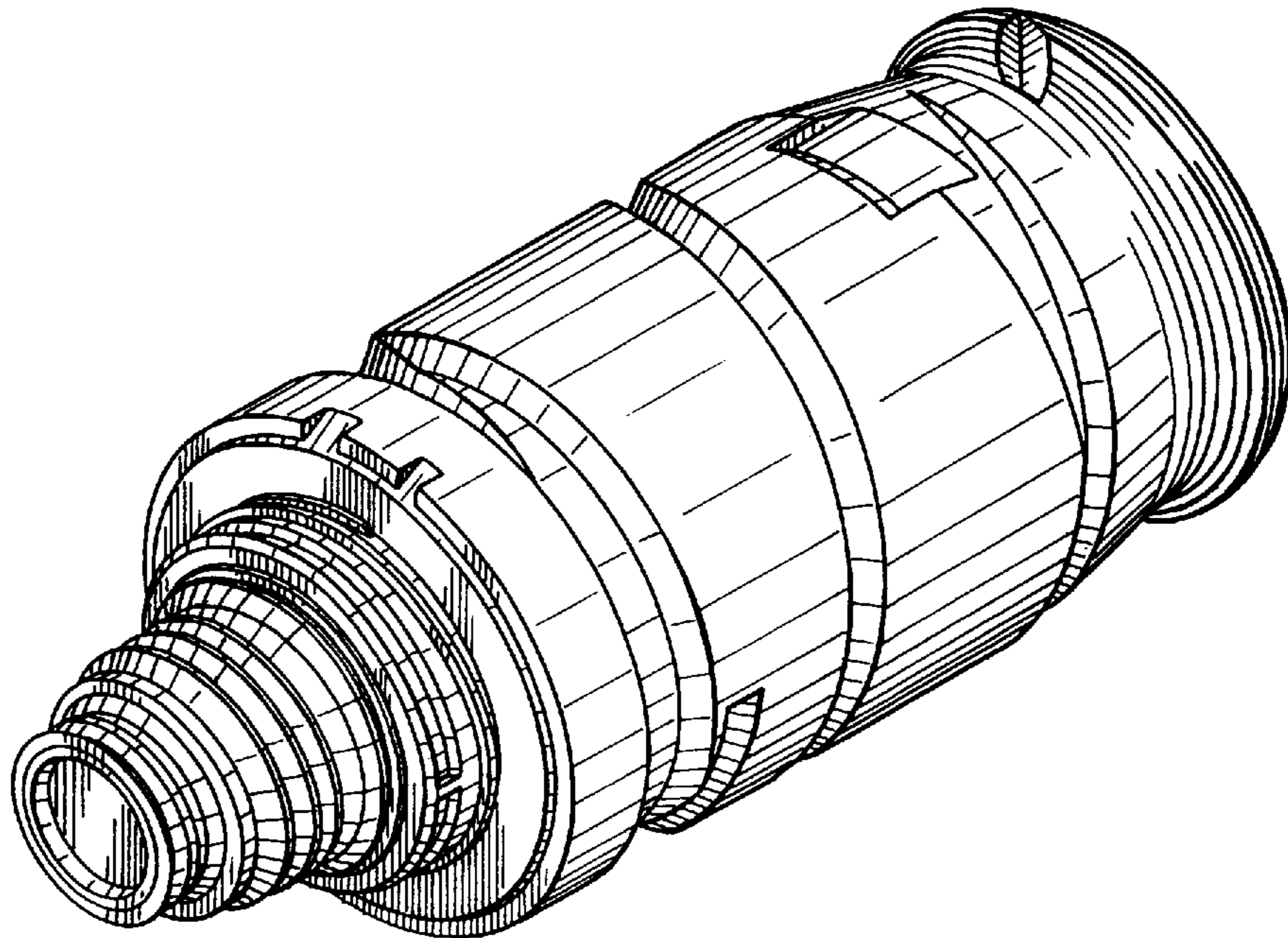
[57] **CLAIM**

The ornamental design for a toner container, as shown.

DESCRIPTION

FIG. 1 is a front elevational view of a toner container showing our new design;
FIG. 2 is a rear elevational view thereof;
FIG. 3 is a left side view thereof;
FIG. 4 is a right side view thereof;
FIG. 5 is a top plan view thereof;
FIG. 6 is a bottom plan view thereof; and,
FIG. 7 is a front, bottom and left side perspective view thereof.

1 Claim, 2 Drawing Sheets



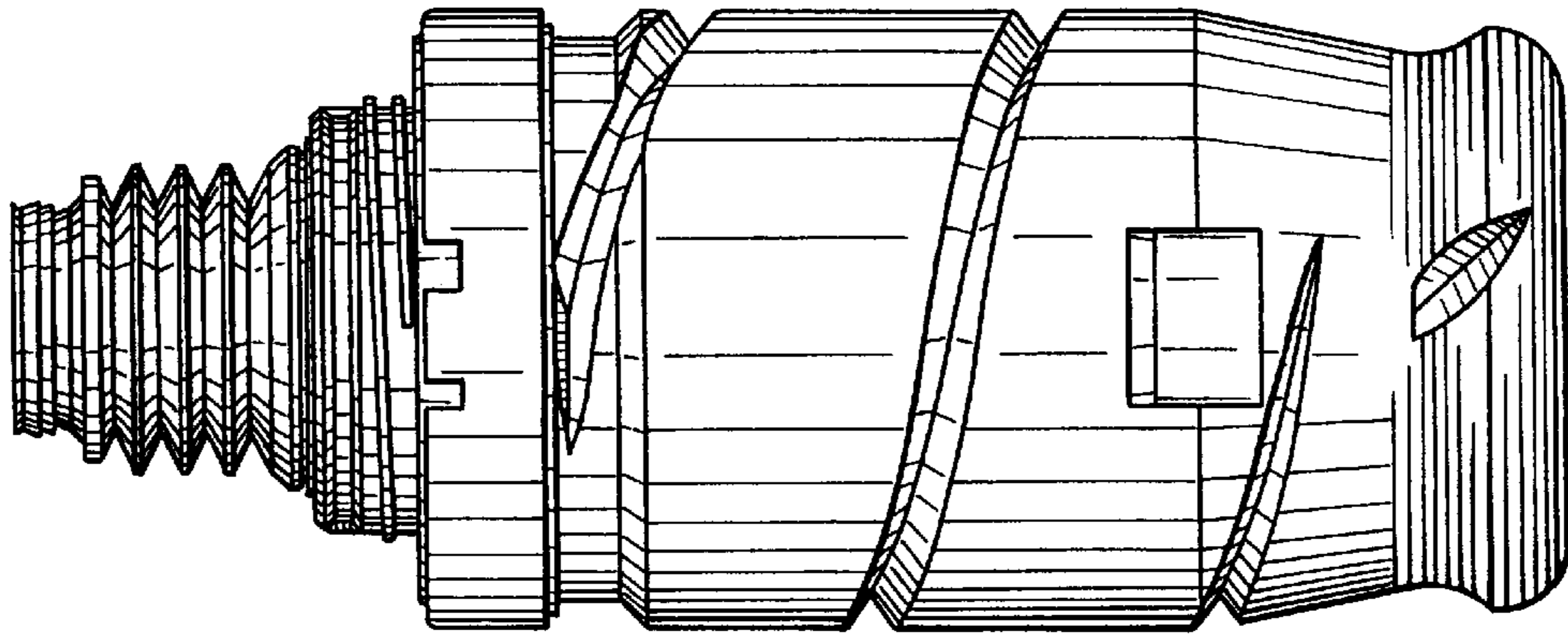


Fig. 1

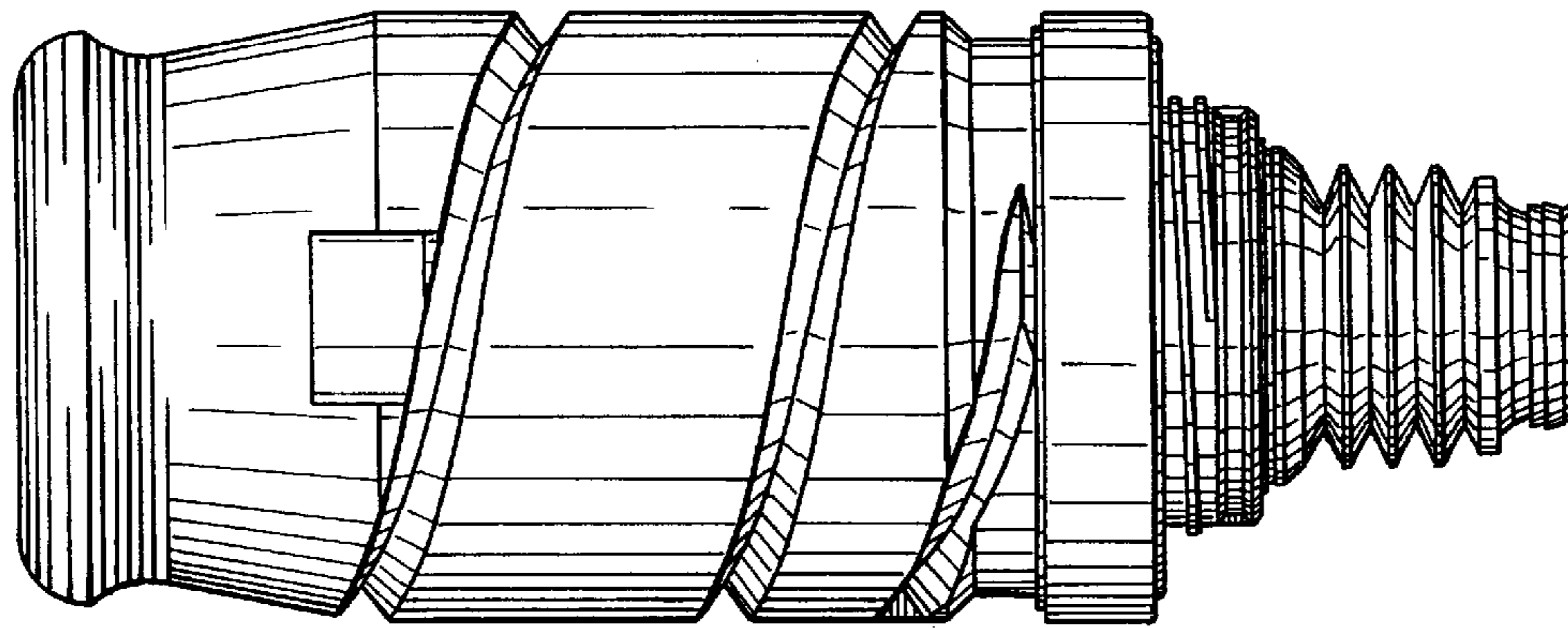


Fig. 2

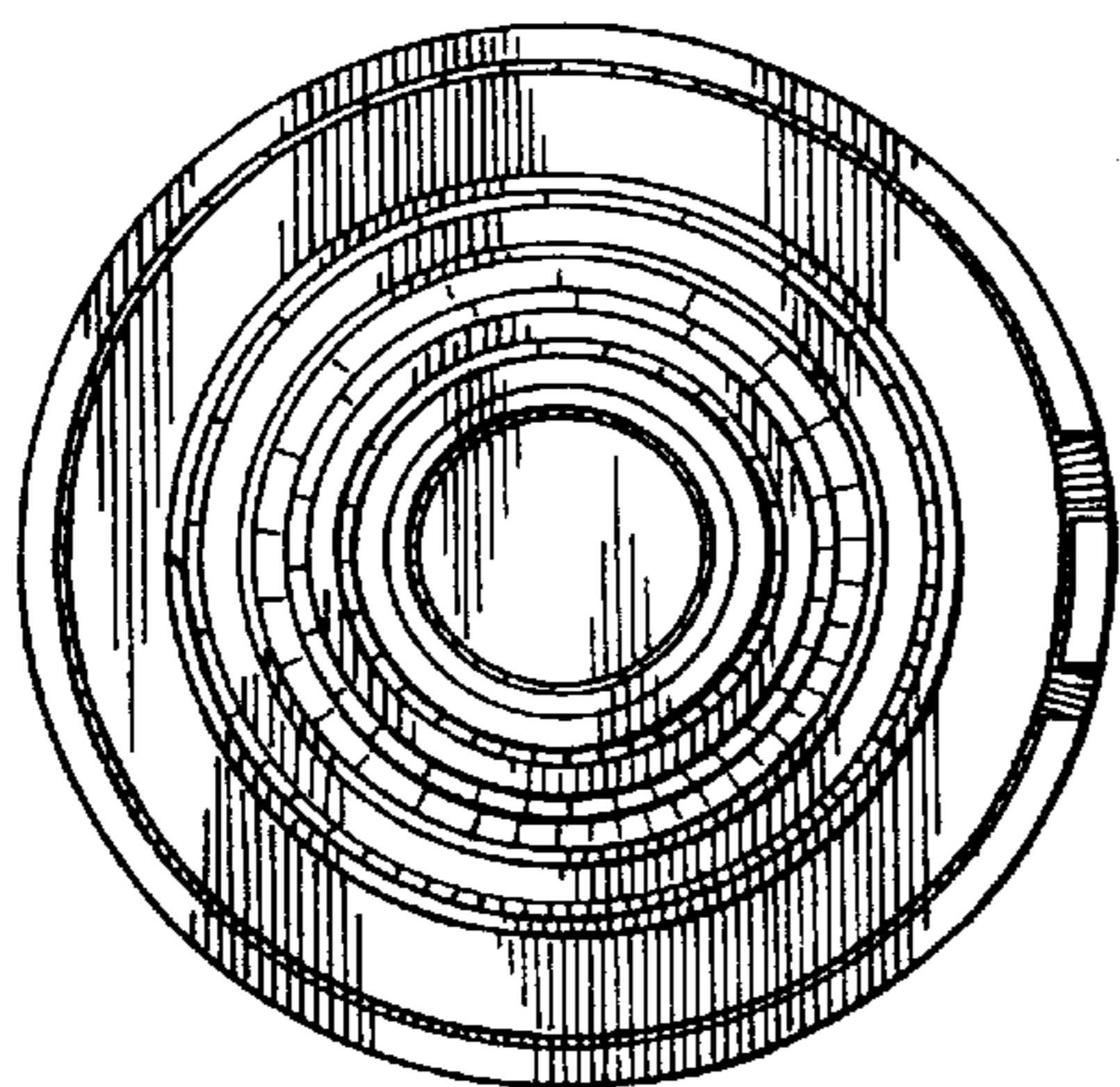


Fig. 3

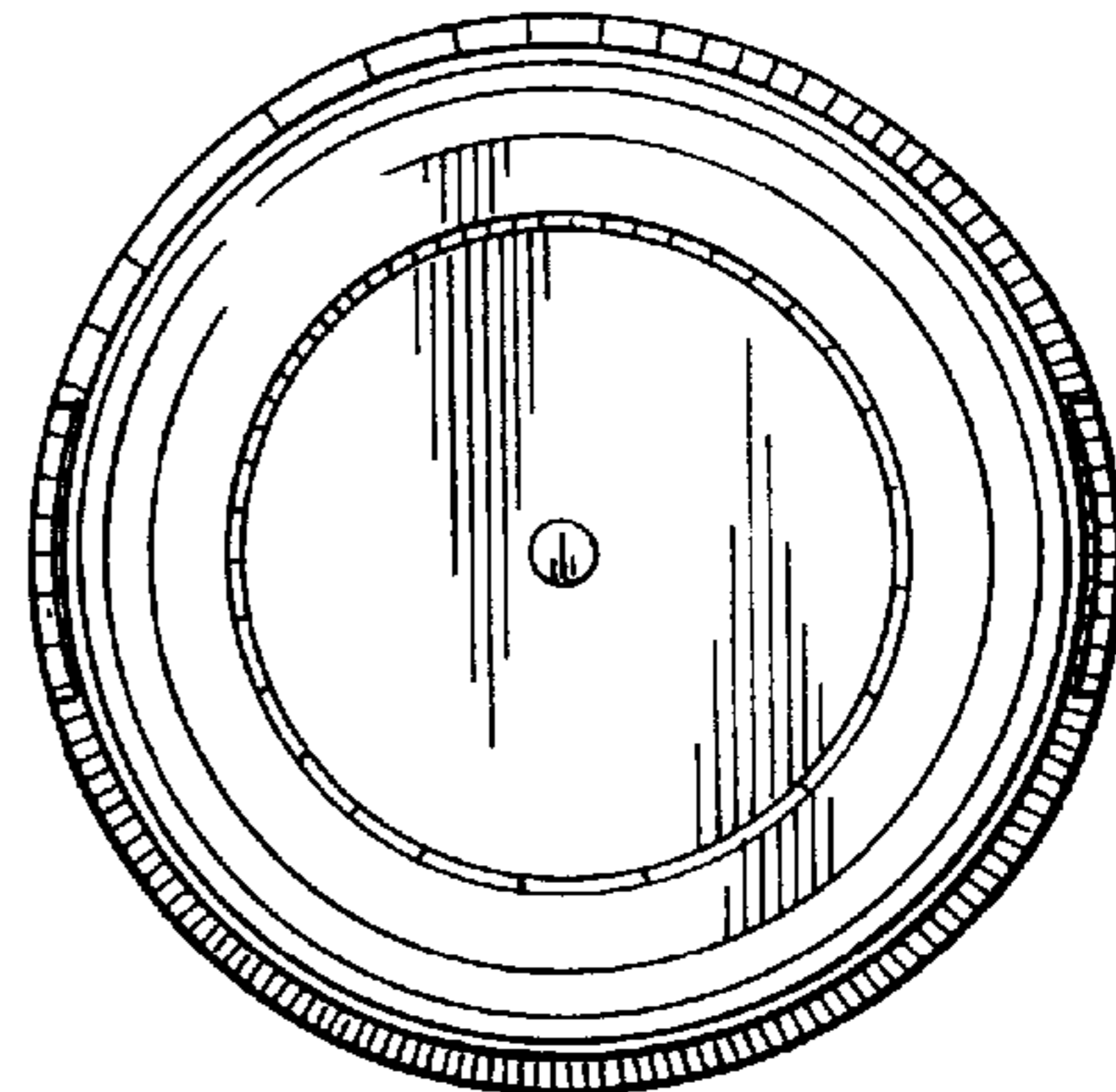


Fig. 4

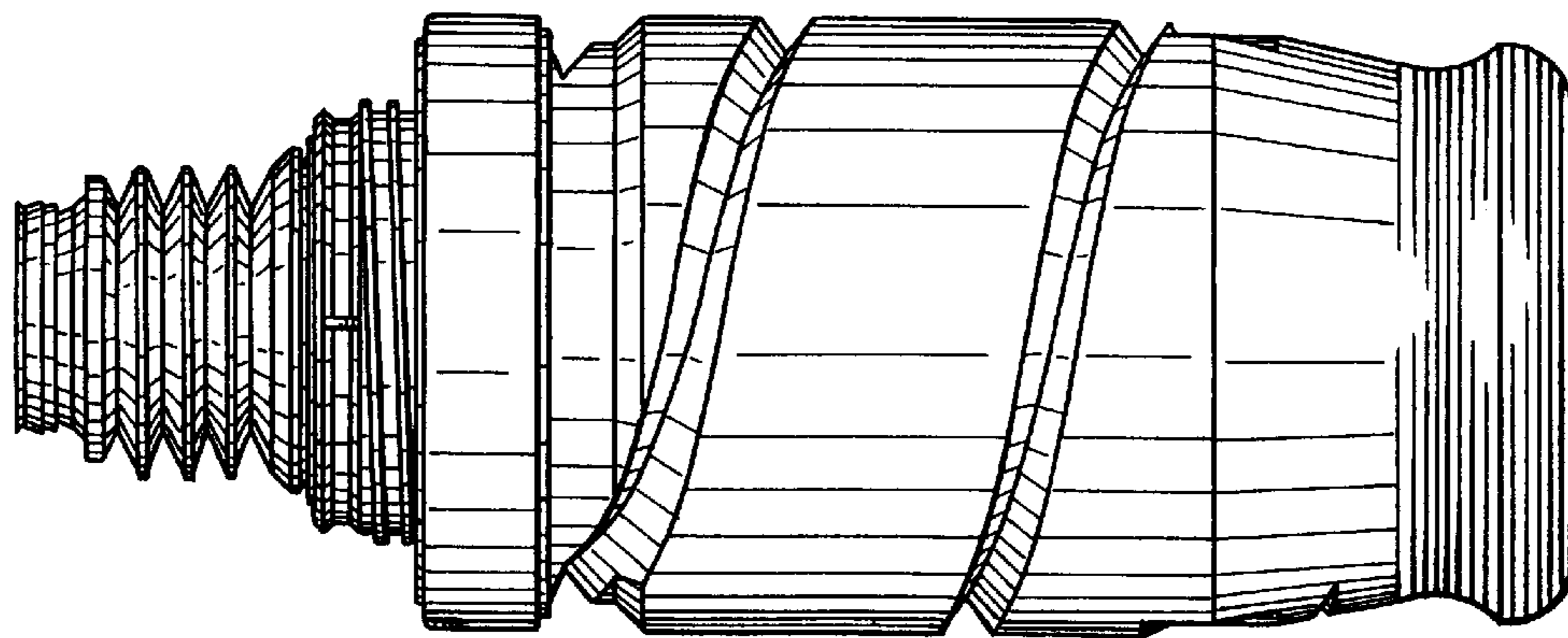


Fig. 5

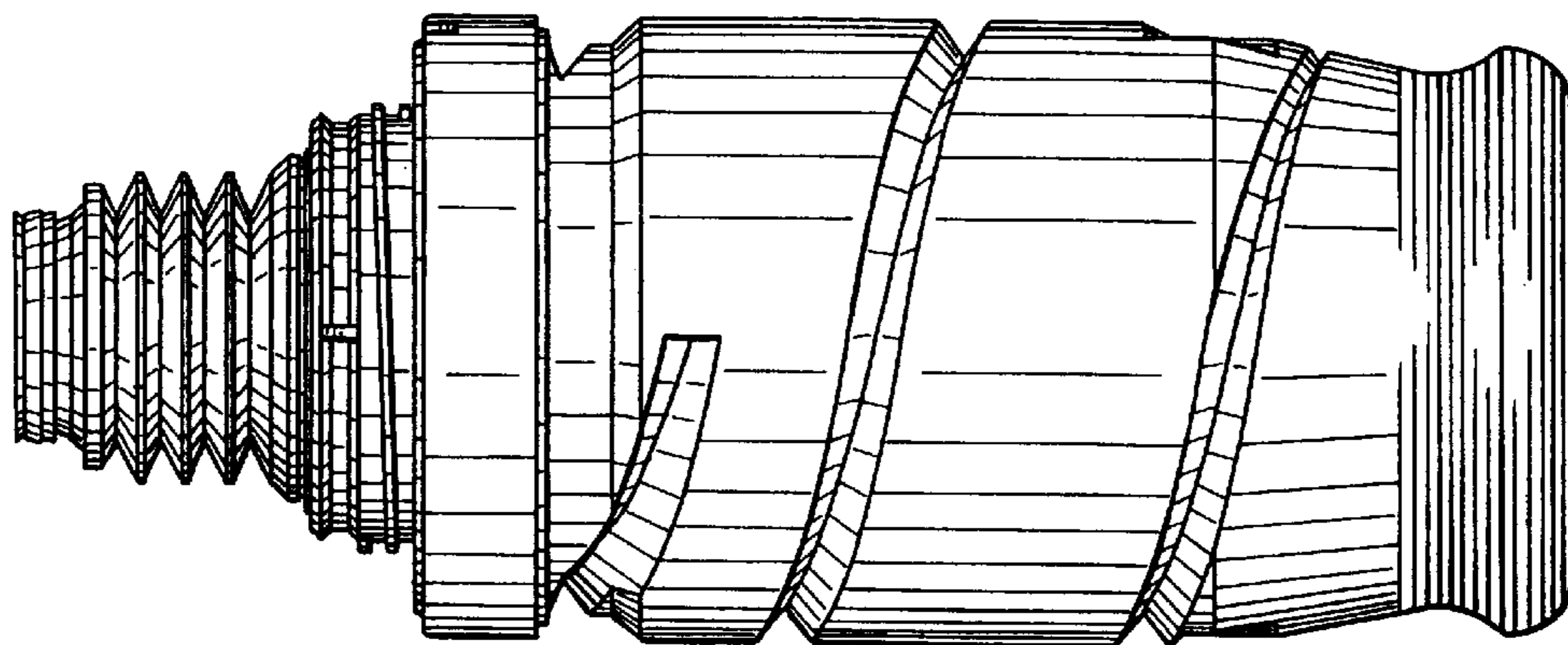


Fig. 6

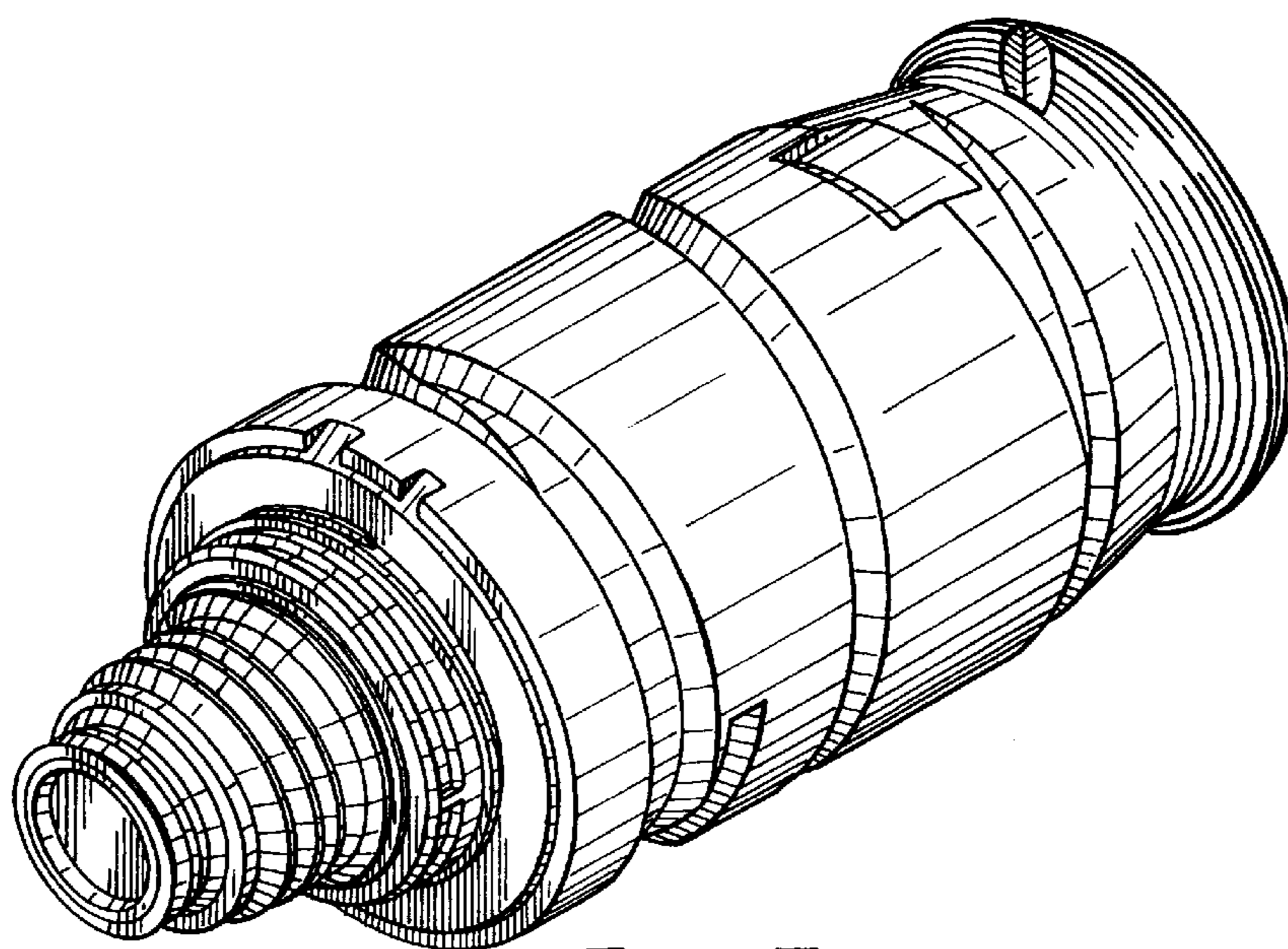


Fig. 7