



US00D403341S

**United States Patent** [19]  
**Chin et al.**

[11] **Patent Number: Des. 403,341**  
[45] **Date of Patent: \*\*Dec. 29, 1998**

[54] **CAMERA**

[75] Inventors: **Byungwook Chin; Jung Yun Han,**  
both of Seoul, Rep. of Korea  
[73] Assignee: **Samsung Aerospace Industries, Ltd.,**  
Kyeongsangnam-do, Rep. of Korea  
[\*\*] Term: **14 Years**

[21] Appl. No.: **83,231**  
[22] Filed: **Feb. 5, 1998**

[30] **Foreign Application Priority Data**

Aug. 7, 1997 [KR] Rep. of Korea ..... 97-16726

[51] **LOC (6) Cl.** ..... **16-01**  
[52] **U.S. Cl.** ..... **D16/209**  
[58] **Field of Search** ..... **D16/200-205,**  
**D16/208, 209, 216-218; 396/84, 535-543**

[56] **References Cited**

**U.S. PATENT DOCUMENTS**

D. 359,976 7/1995 Matsuda ..... D16/209  
D. 385,569 10/1997 Takimura ..... D16/202  
D. 389,502 1/1998 Lee et al. .... D16/209  
D. 392,660 3/1998 Kim et al. .... D16/209  
4,990,945 2/1991 Cho et al. .... 396/84

**OTHER PUBLICATIONS**

Evans Gift Guide, p. 329 (Olympus Zoom 210 Camera),  
1991-1992.

*Primary Examiner*—Philip S. Hyder  
*Assistant Examiner*—Adir Aronovich  
*Attorney, Agent, or Firm*—Finnegan, Henderson, Farabow,  
Garrett & Dunner, L.L.P.

[57] **CLAIM**

The ornamental design for camera, as shown and described.

**DESCRIPTION**

FIG. 1 is a front elevational view of the design for a camera;  
FIG. 2 is a rear elevational view of the design of FIG. 1;  
FIG. 3 is a left side elevational view of the design of FIG.  
1;  
FIG. 4 is a right side elevational view of the design of FIG.  
1;  
FIG. 5 is a top plan view of the design of FIG. 1;  
FIG. 6 is a bottom plan view of the design of FIG. 1;  
FIG. 7 is a top, front, right side perspective view of the  
design of FIG. 1; and,  
FIG. 8 is a top, front and right side perspective view of  
illustrating the camera of the present design in which a set  
of zoom barrels protrude from the camera body.

**1 Claim, 8 Drawing Sheets**

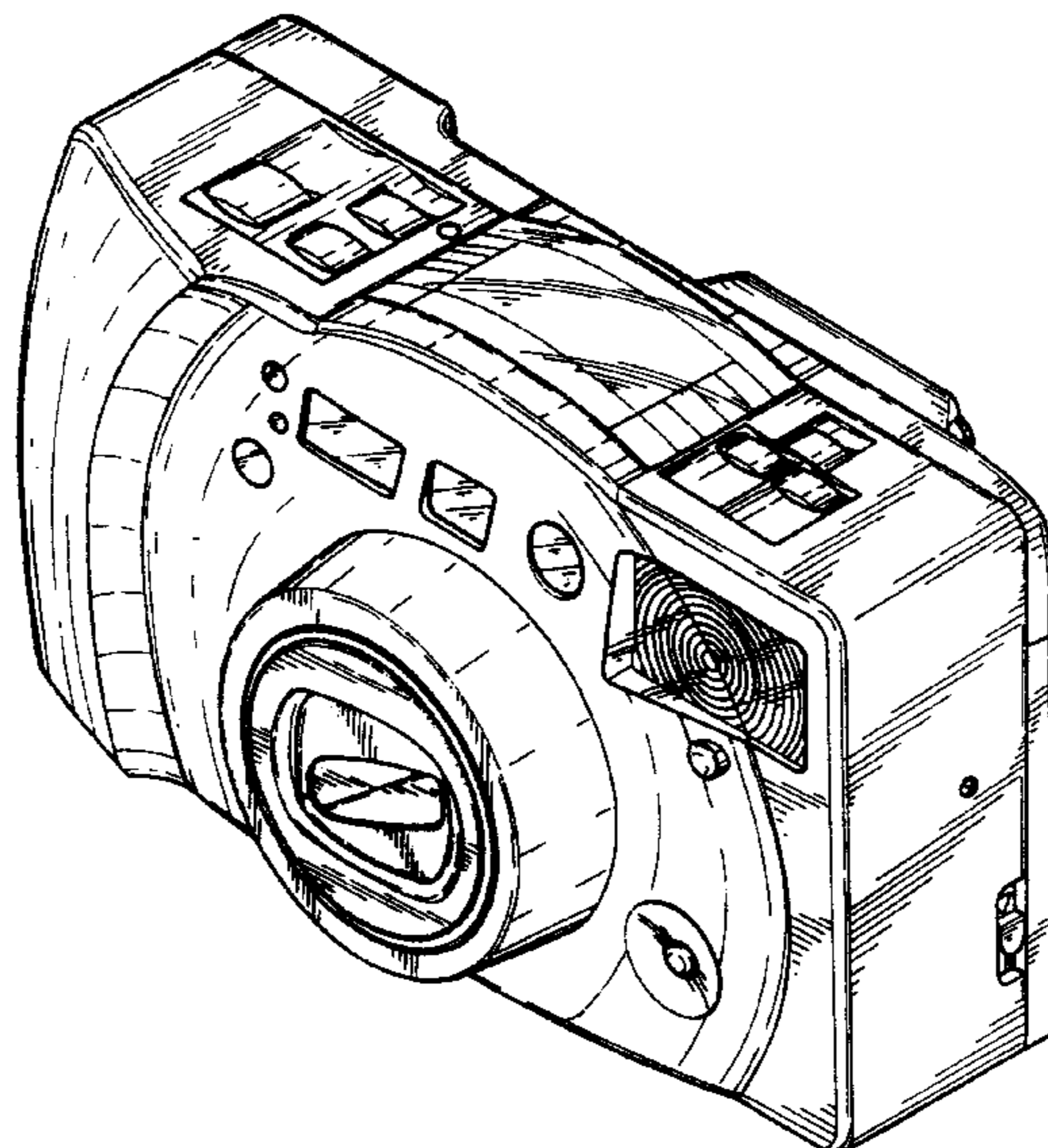
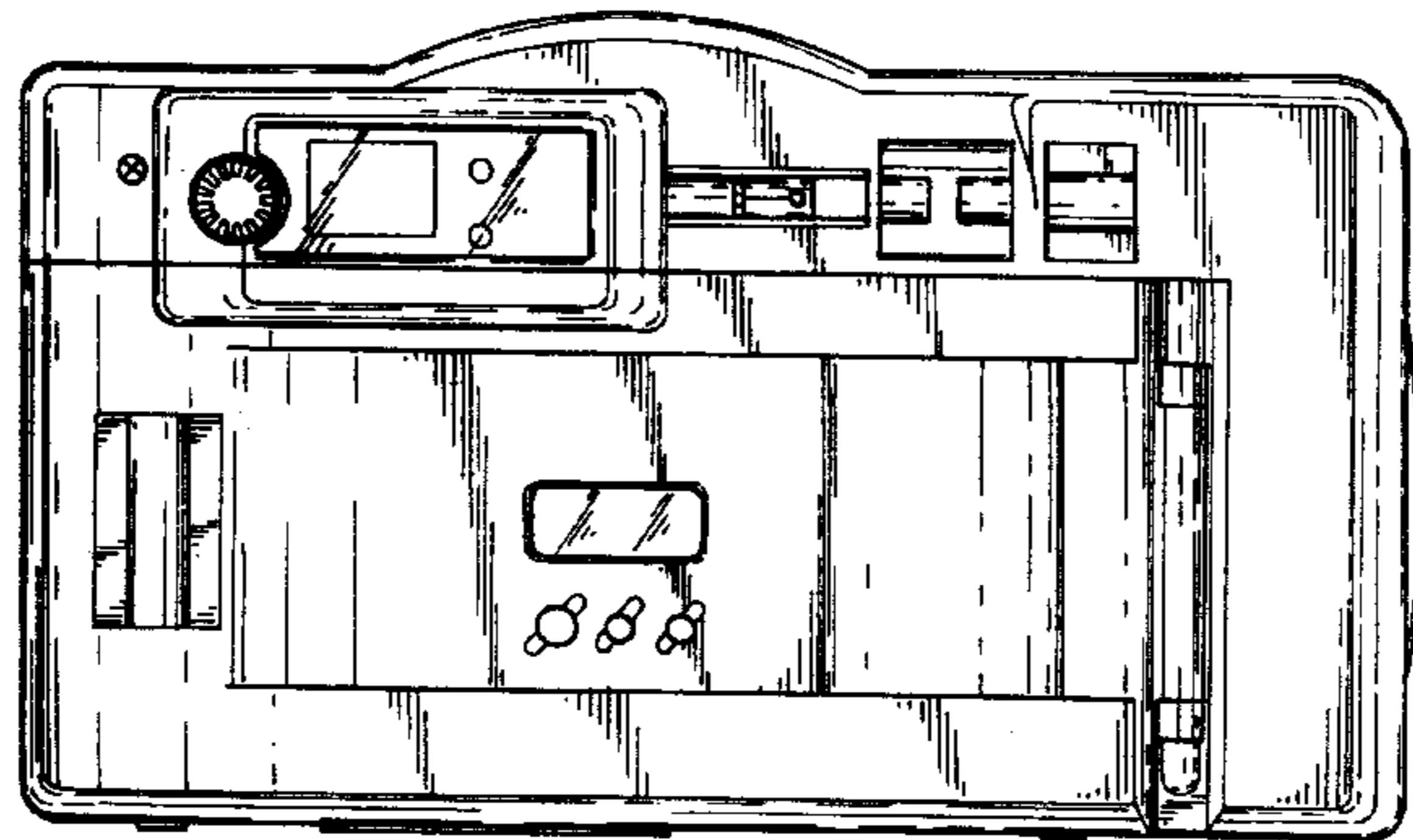


FIG. 1

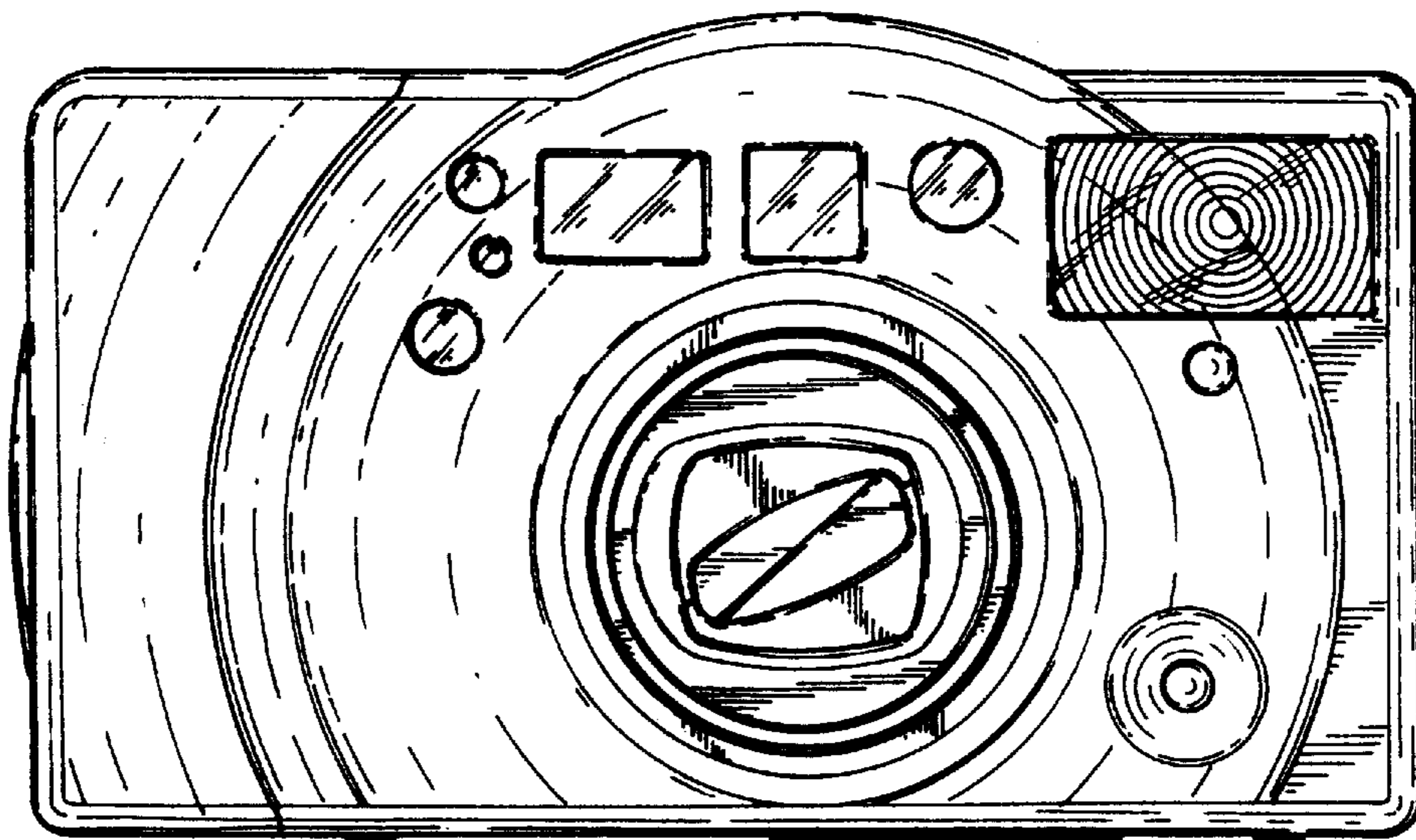


FIG. 2

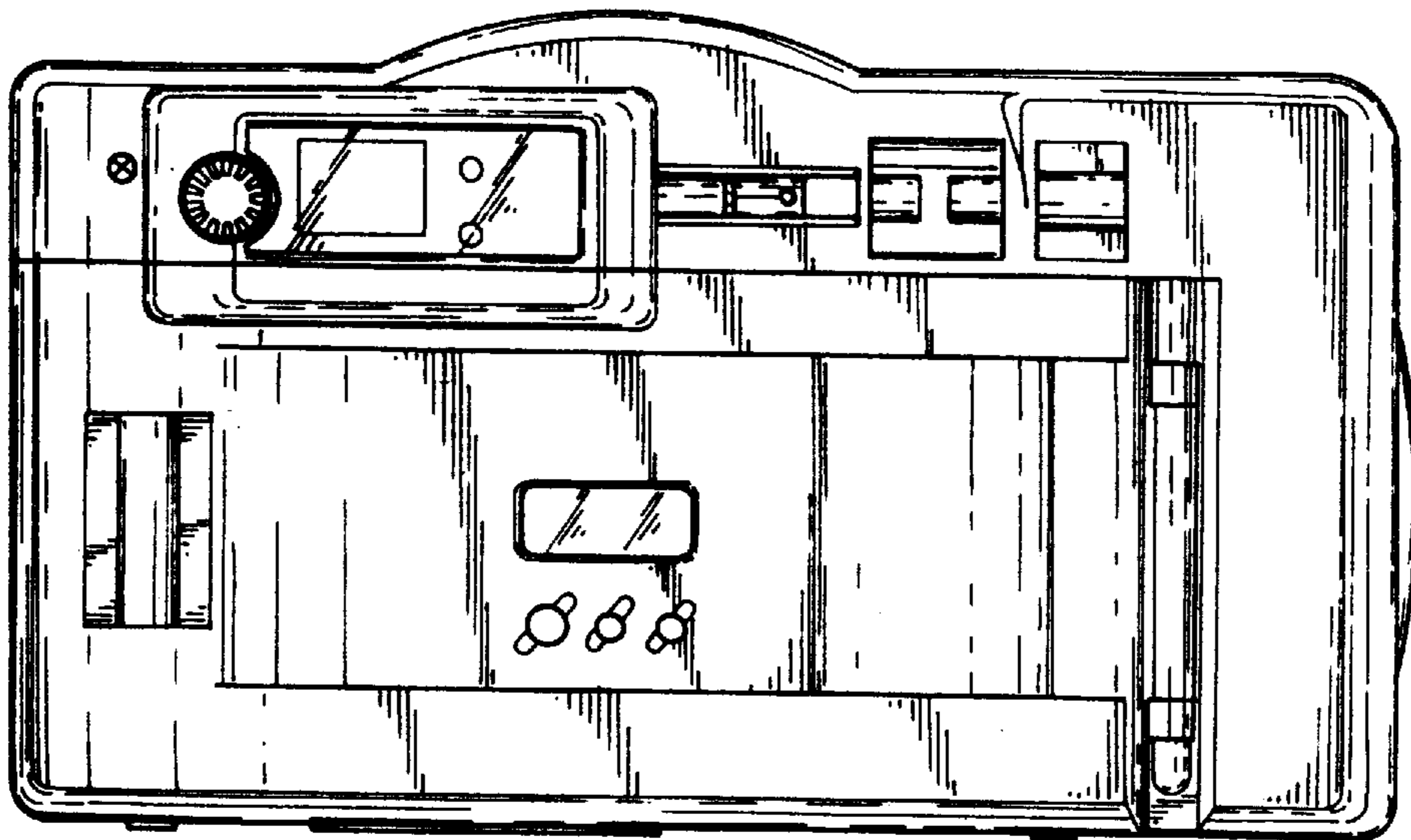


FIG. 3

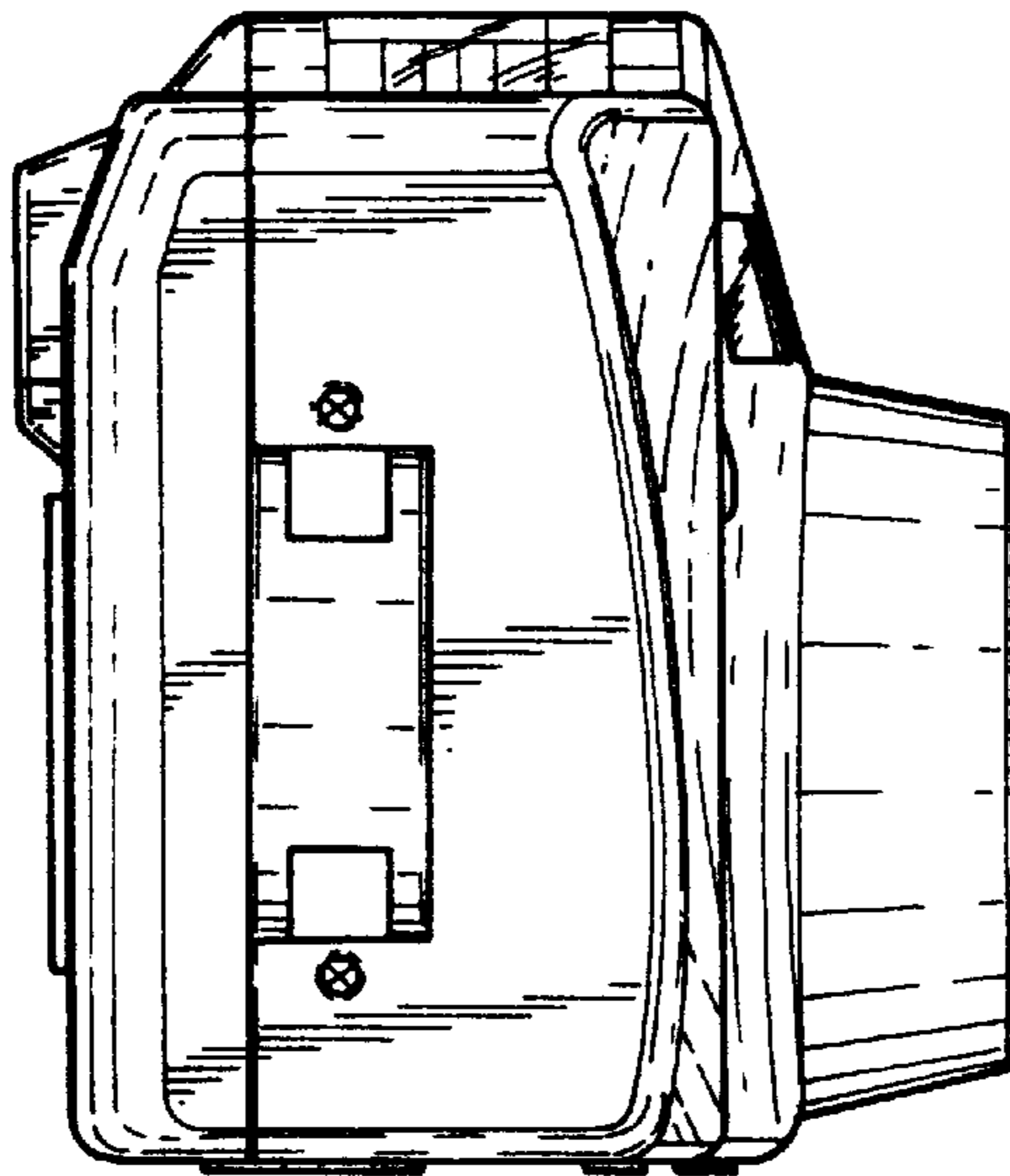


FIG. 4

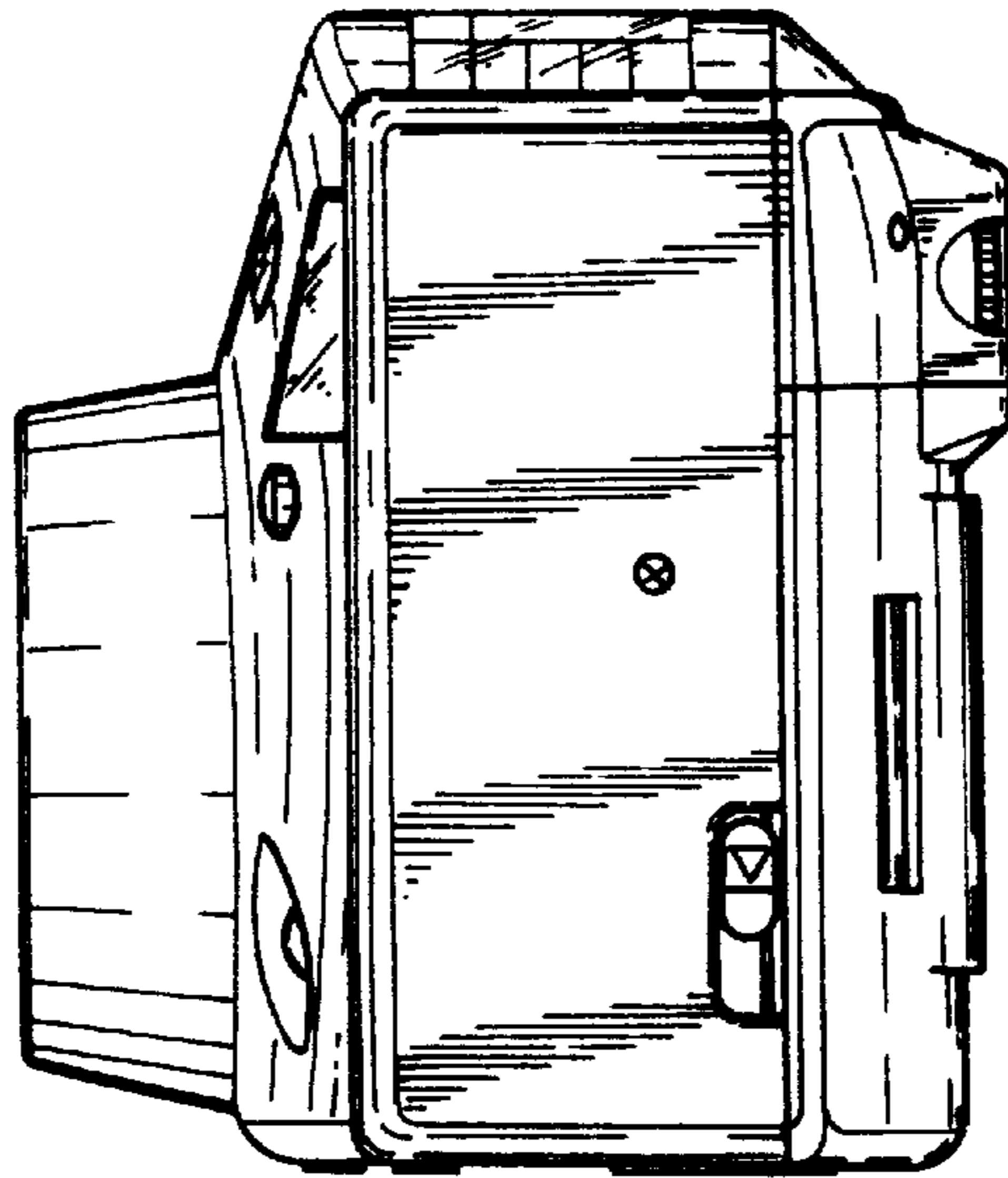


FIG. 5

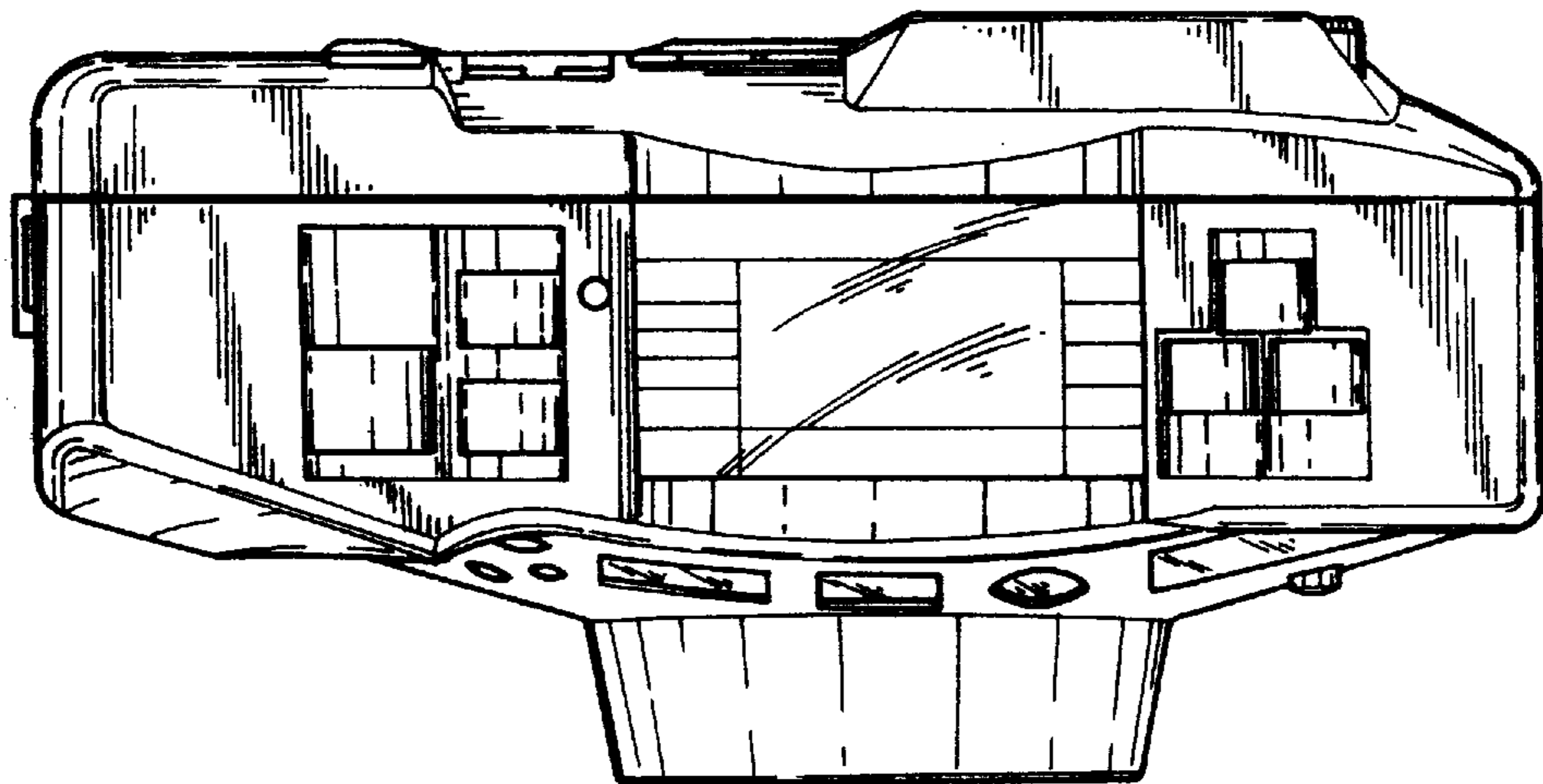




FIG. 6

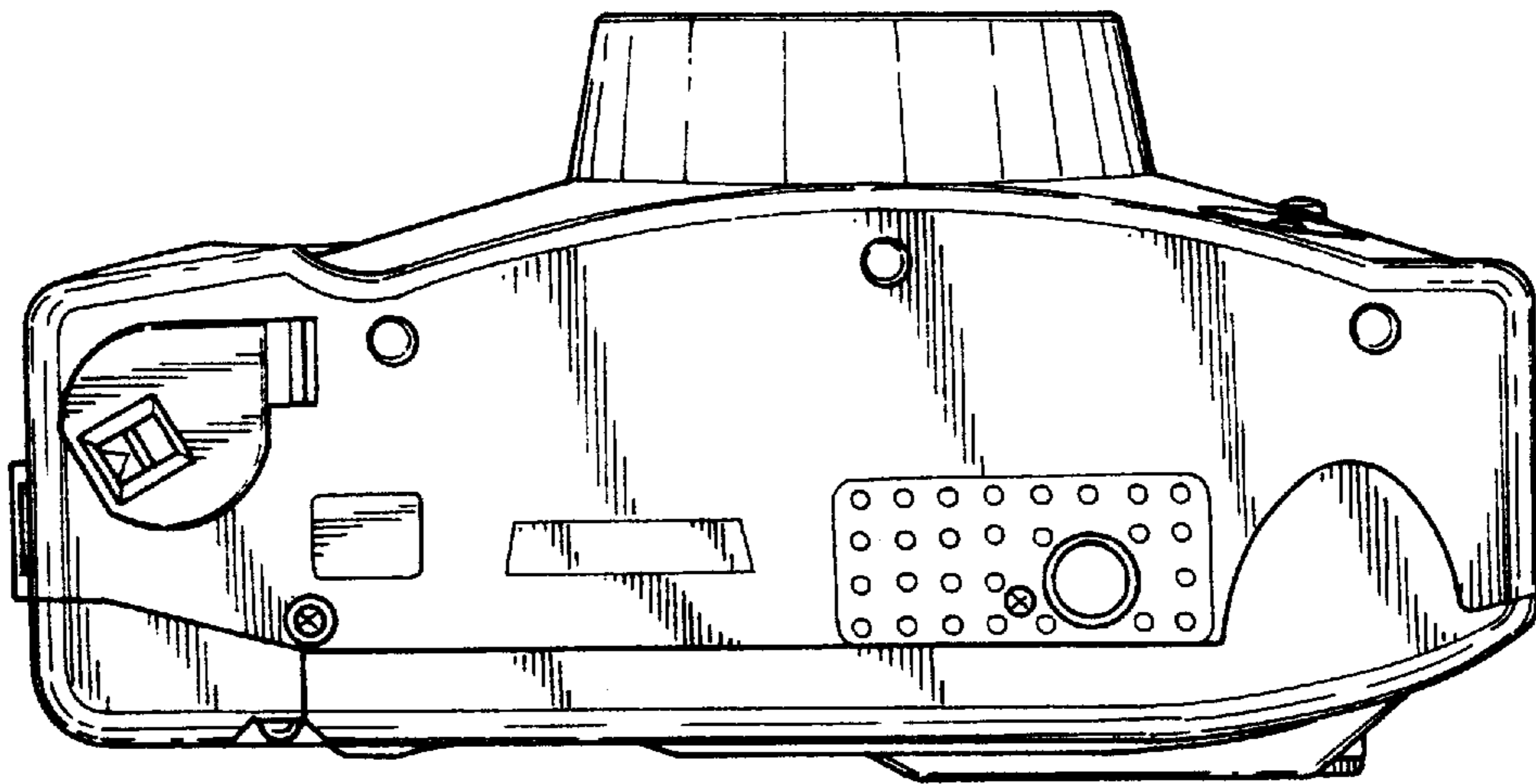


FIG. 7

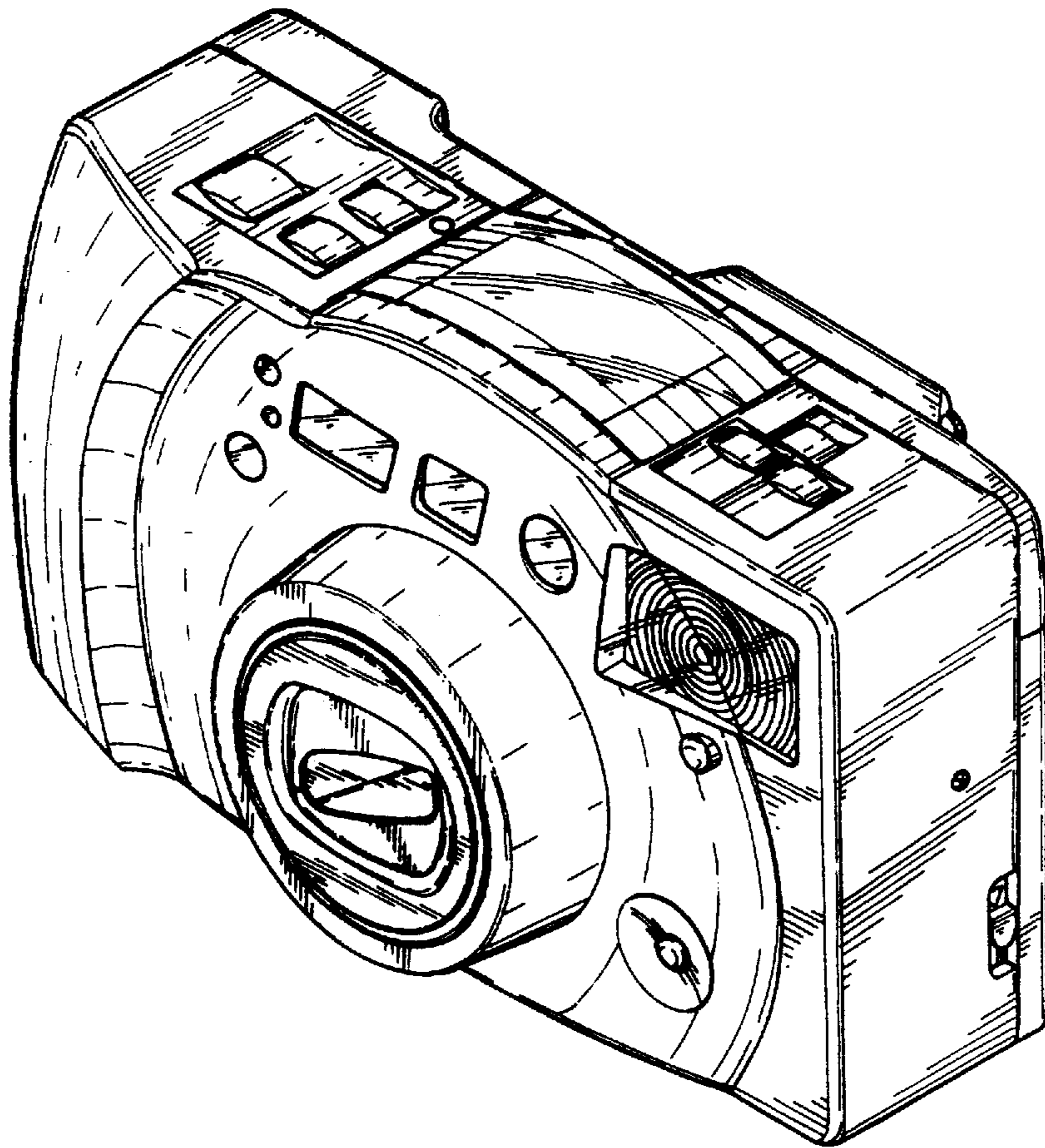
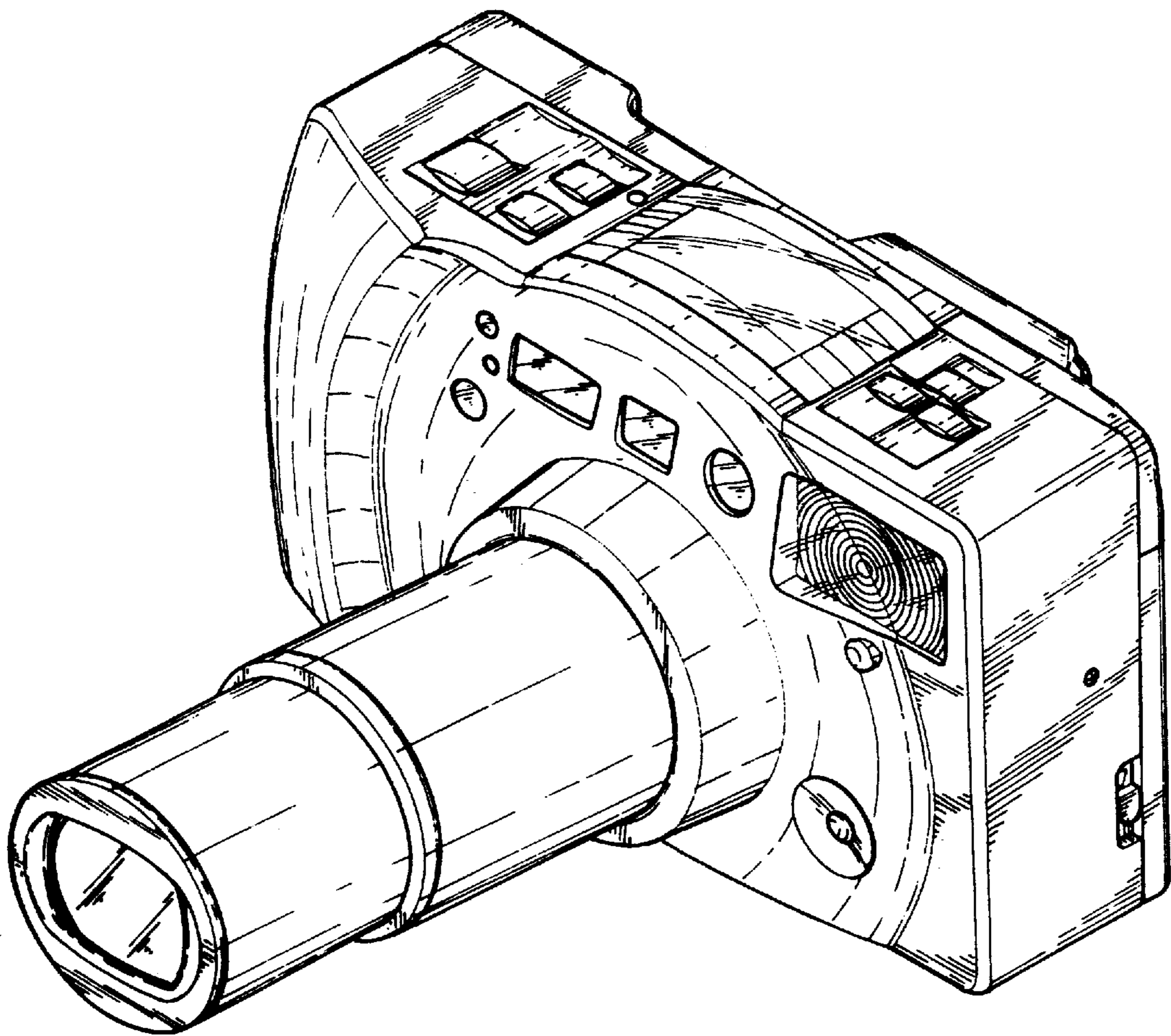




FIG. 8



UNITED STATES PATENT AND TRADEMARK OFFICE  
**CERTIFICATE OF CORRECTION**

PATENT NO. : Des. 403,341  
DATED : December 29, 1998  
INVENTOR(S) : Byung-Wook CHIN et al.

It is certified that error appears in the above-identified patent and that said Letters Patent is hereby corrected as shown below:

Title Page, Item [75], "Inventors: Byungwook Chin; Jung Yun Han" should read --Inventors: Byung-Wook Chin; Jung Yun Han--.

\*Title Page, Item [73], "Assignee: Samsung Aerospace" should read --Assignee: Samsung Aerospace--.

Signed and Sealed this  
Fourth Day of January, 2000

*Attest:*



*Attesting Officer*

*Acting Commissioner of Patents and Trademarks*