



US00D403340S

United States Patent [19]
Arbuckle

[11] **Patent Number: Des. 403,340**

[45] **Date of Patent: **Dec. 29, 1998**

[54] **CAMERA ENCLOSURE**

[75] Inventor: **James F. Arbuckle**, Fresno, Calif.

[73] Assignee: **Pelco**, Clovis, Calif.

[**] Term: **14 Years**

[21] Appl. No.: **82,535**

[22] Filed: **Jan. 26, 1998**

[51] **LOC (6) Cl.** **16-01**

[52] **U.S. Cl.** **D16/203**

[58] **Field of Search** D16/200-205,
D16/208; 348/143, 151, 373-376; 352/242,
243; 396/419, 427

[56] **References Cited**

U.S. PATENT DOCUMENTS

D. 255,362	6/1980	Coleman	D16/203
D. 273,012	3/1984	Kozloski	D16/203
D. 303,675	9/1989	Beaver	D16/203
D. 320,028	9/1991	Sedighzadeh et al.	D16/203
3,993,866	11/1976	Pearl	348/151
4,160,999	7/1979	Claggett	348/151

4,320,949	3/1982	Pagano	396/427
4,414,576	11/1983	Randmae	348/373
4,618,886	10/1986	Mooney	348/143
5,214,245	5/1993	Bernhardt	174/52.1
5,282,182	1/1994	Kreuzer	369/21
5,394,184	2/1995	Anderson	348/151
5,394,208	2/1995	Campbell	396/429

Primary Examiner—Philip S. Hyder
Assistant Examiner—Adir Aronovich
Attorney, Agent, or Firm—Prince, Yeates & Geldzahler

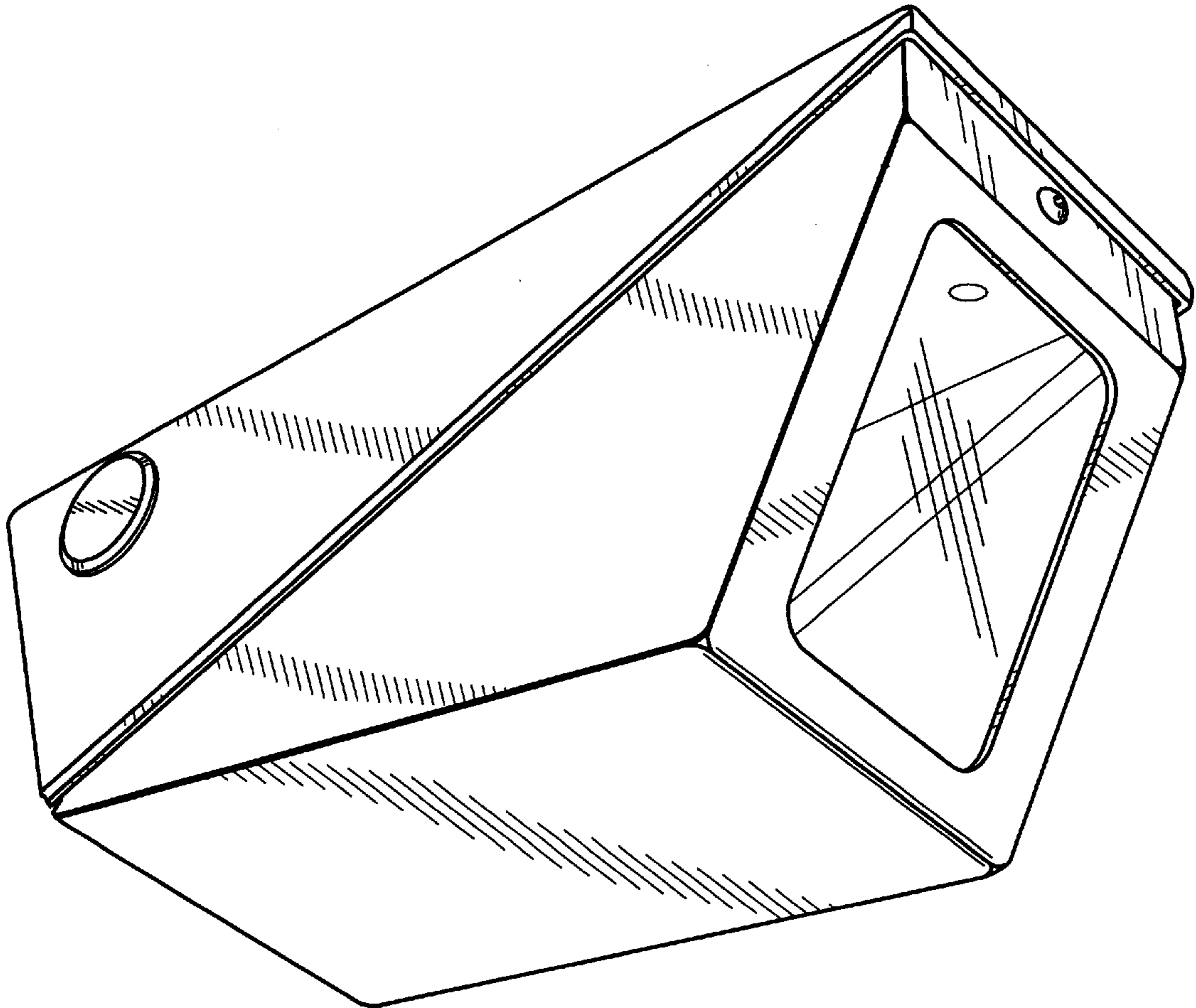
[57] **CLAIM**

The ornamental design for a camera enclosure, as shown.

DESCRIPTION

FIG. 1 is a perspective view of a camera enclosure showing my new design;
FIG. 2 is a left-side elevational view thereof;
FIG. 3 is a right-side elevational view thereof;
FIG. 4 is a front elevational view thereof;
FIG. 5 is a rear elevational view thereof;
FIG. 6 is a top plan view thereof; and,
FIG. 7 is a bottom plan view thereof.

1 Claim, 3 Drawing Sheets



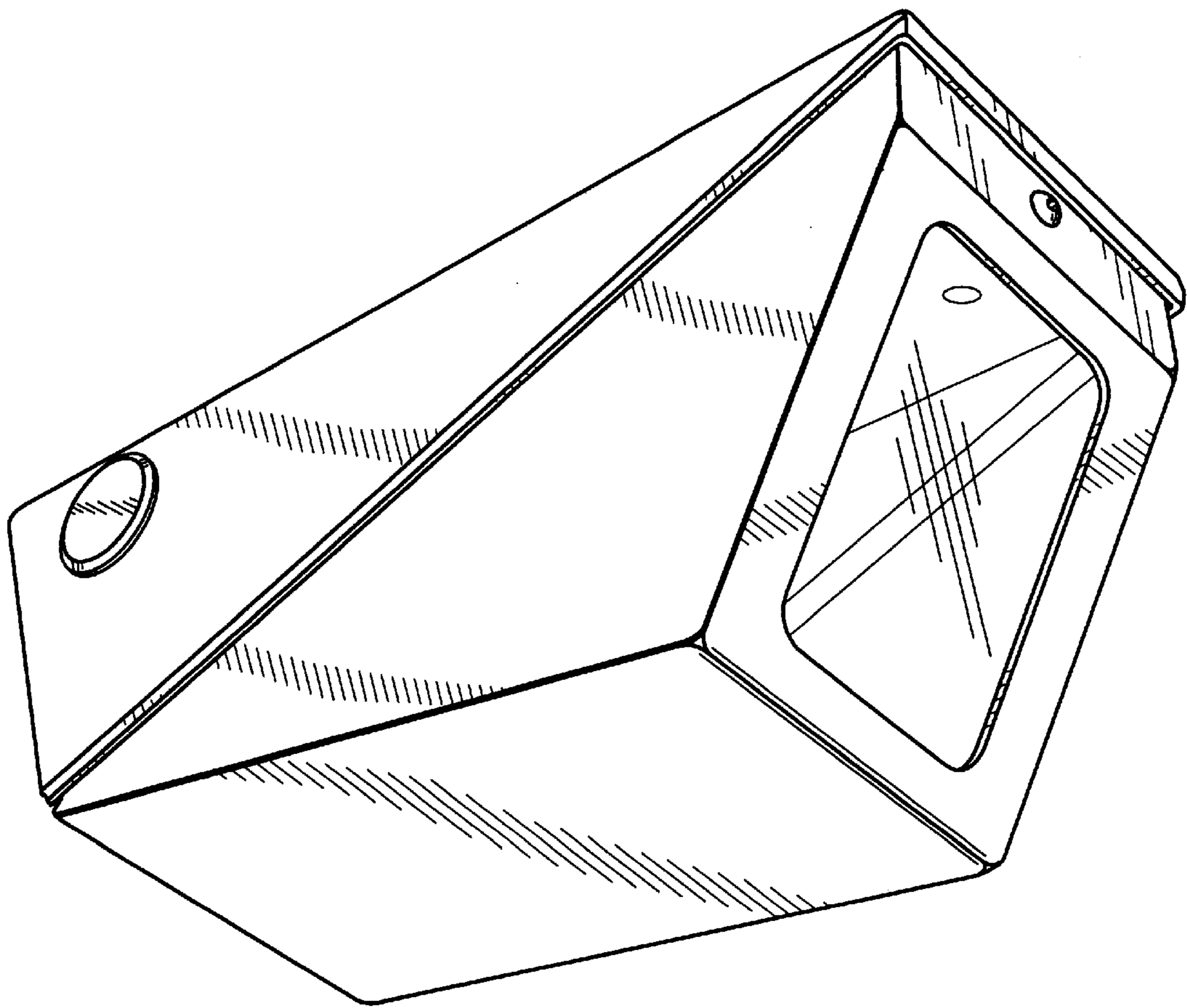


Fig. 1

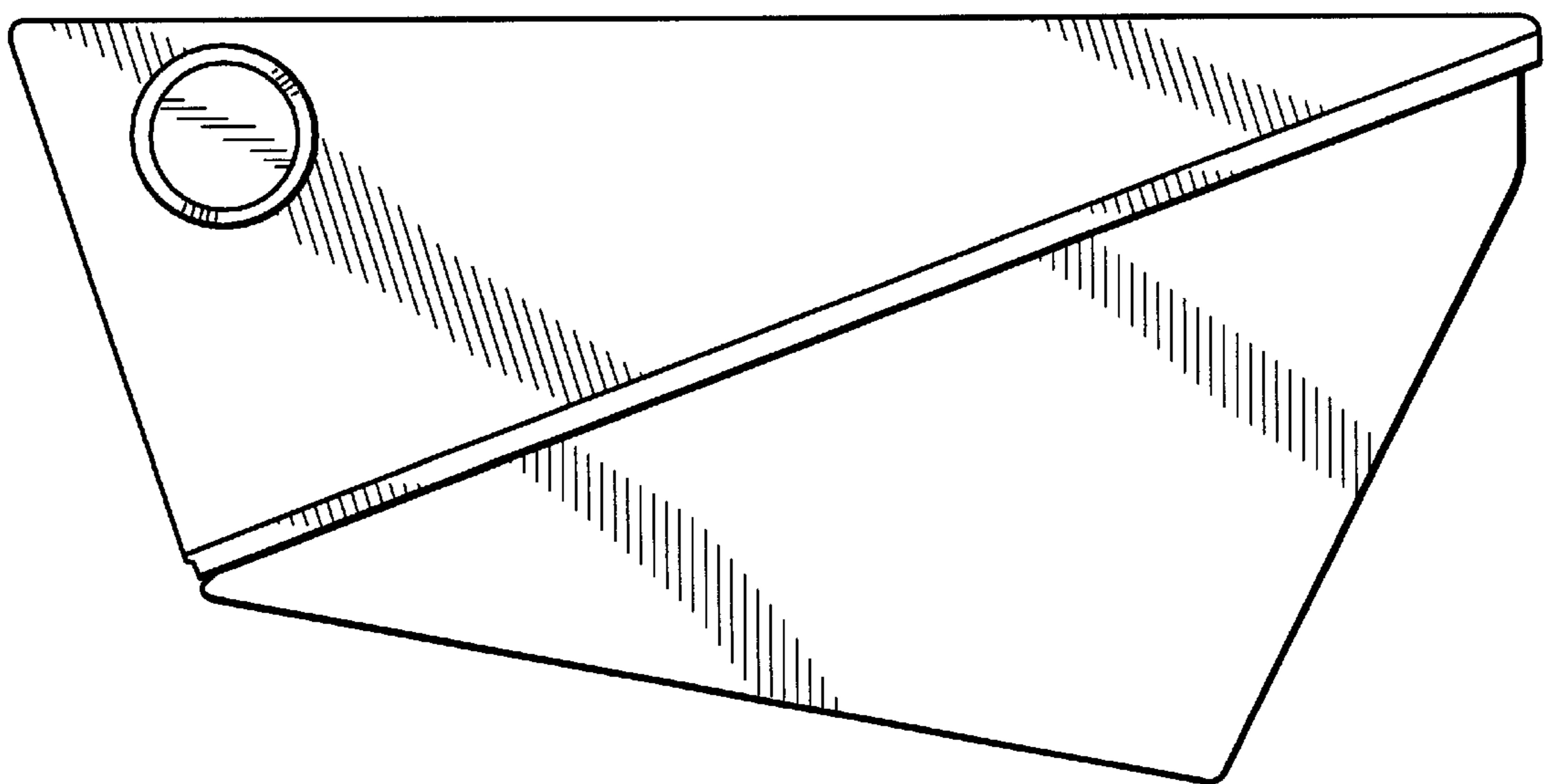


Fig. 2

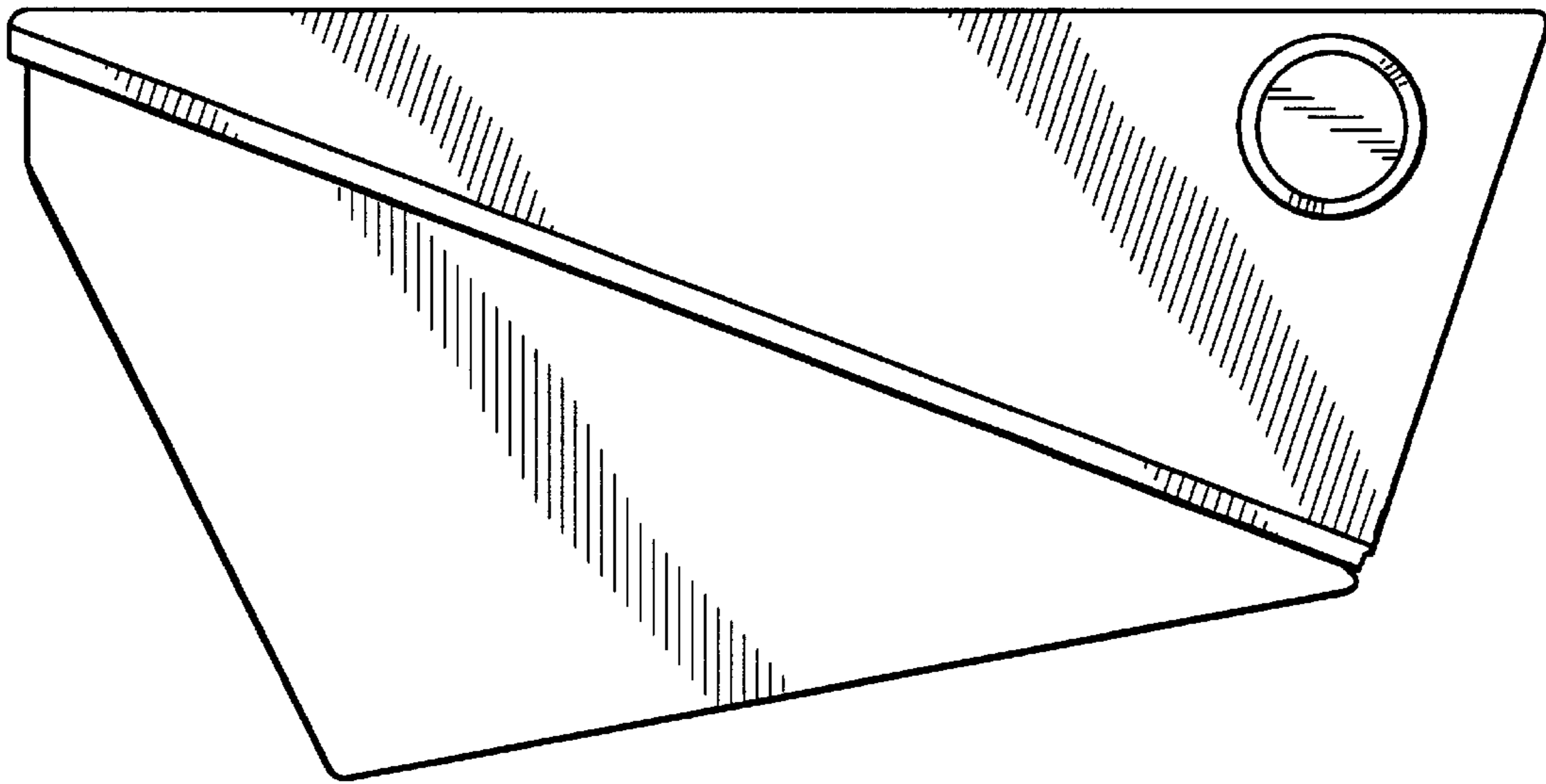


Fig. 3

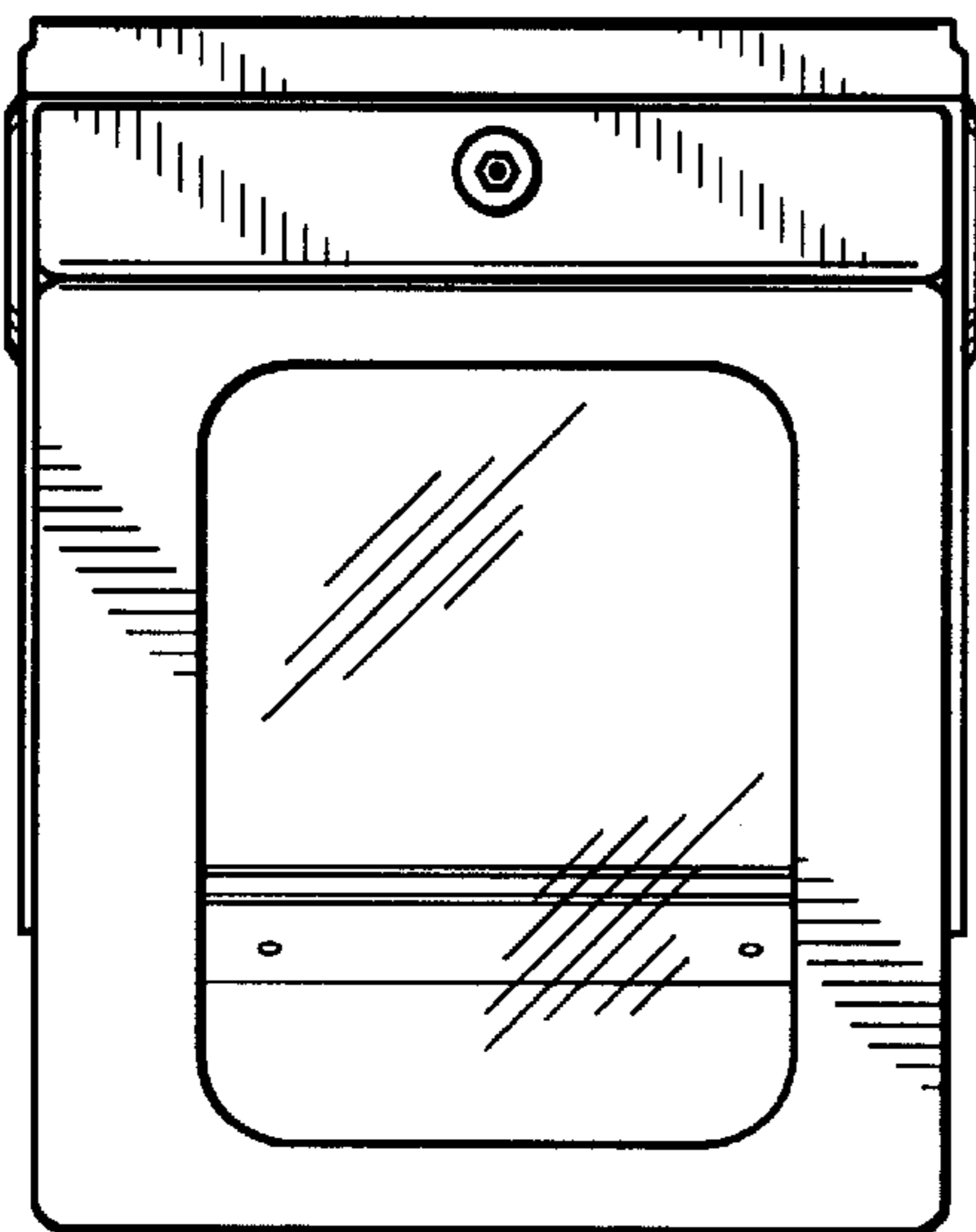


Fig. 4

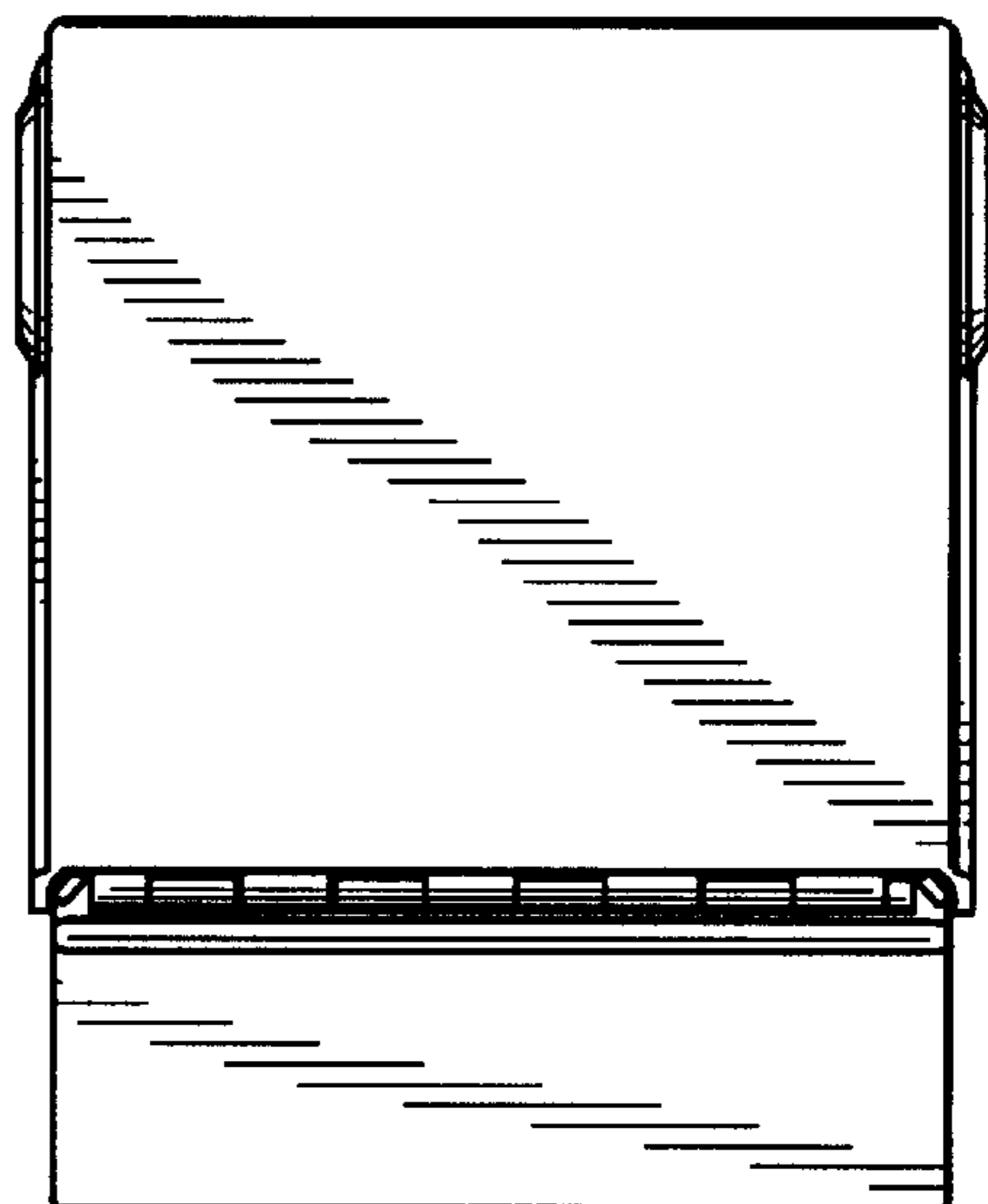


Fig. 5

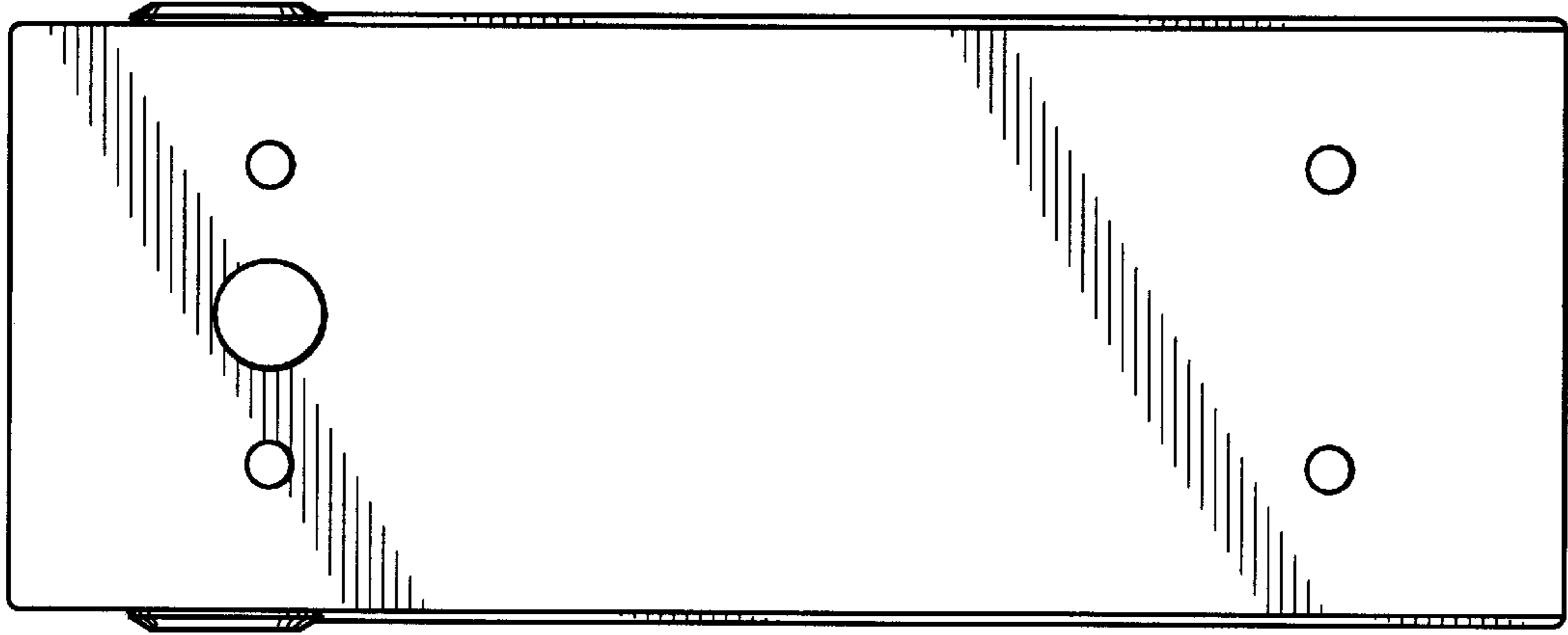


Fig. 6

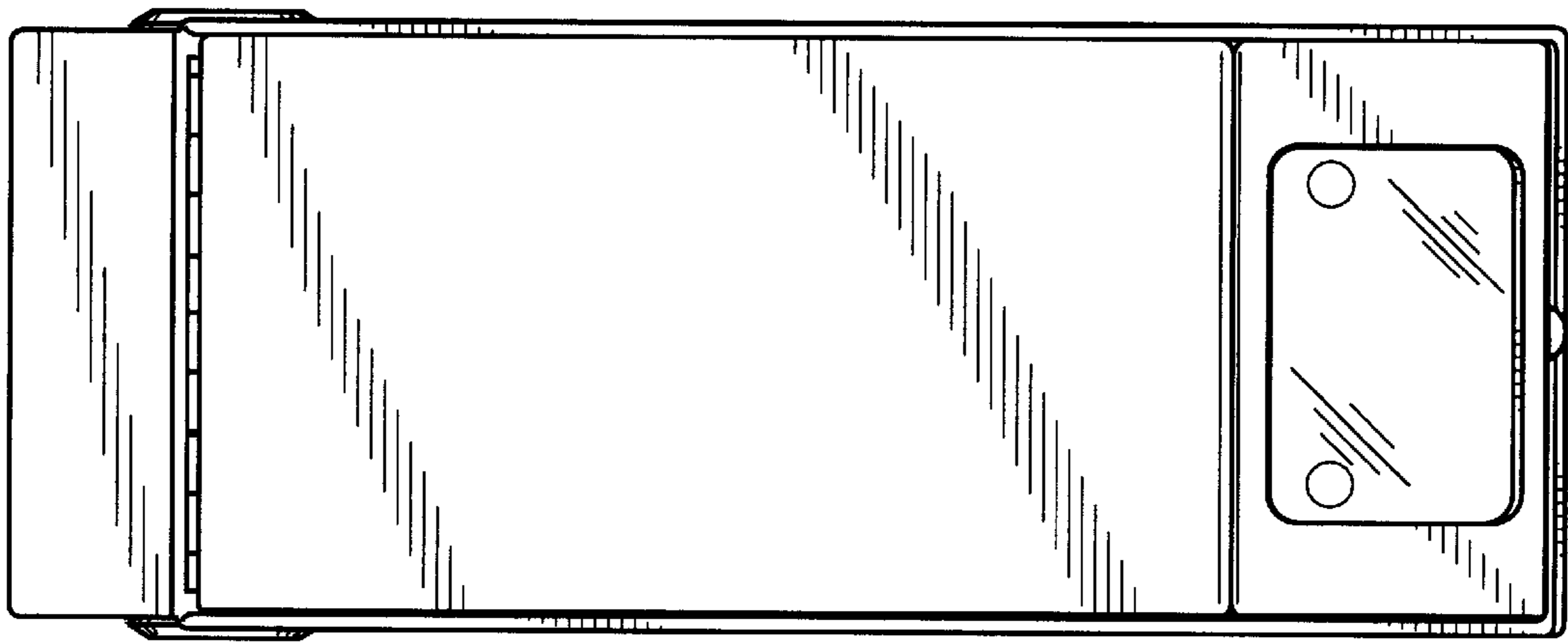


Fig. 7