



US00D403337S

**United States Patent** [19]  
**Or**

[11] **Patent Number: Des. 403,337**

[45] **Date of Patent: \*\*Dec. 29, 1998**

[54] **HIGH CONDUCTANCE LOW WALL  
DEPOSITION UPPER SHIELD**

5,456,756 10/1995 Ramaswami et al. .... 204/198.11 X  
5,552,124 9/1996 Su ..... 204/192.1 X

[75] Inventor: **David Tsuenwai Or**, Sunnyvale, Calif.

*Primary Examiner*—Antoine Duval Davis  
*Attorney, Agent, or Firm*—Patterson & Streets, L.L.P.

[73] Assignee: **Applied Materials, Inc.**, Santa Clara,  
Calif.

[\*\*] Term: **14 Years**

[57] **CLAIM**

The ornamental design for a high conductance low wall  
deposition upper shield, as shown and described.

[21] Appl. No.: **74,544**

**DESCRIPTION**

[22] Filed: **Aug. 5, 1997**

[51] **LOC (6) Cl.** ..... **15-99**

FIG. 1 is a perspective view showing the top of a shield of  
the invention;

[52] **U.S. Cl.** ..... **D15/199**

FIG. 2 is a perspective view showing the bottom of a shield  
of the invention;

[58] **Field of Search** ..... D15/138, 199;  
204/192.32, 192.35, 298.11, 298.08, 192.1,  
298.41; 134/1, 1.1; 216/52, 67, 77; 451/38,  
39; 156/345

FIG. 3 is a top view;

FIG. 4 is a bottom view;

FIG. 5 is a side perspective view; and,

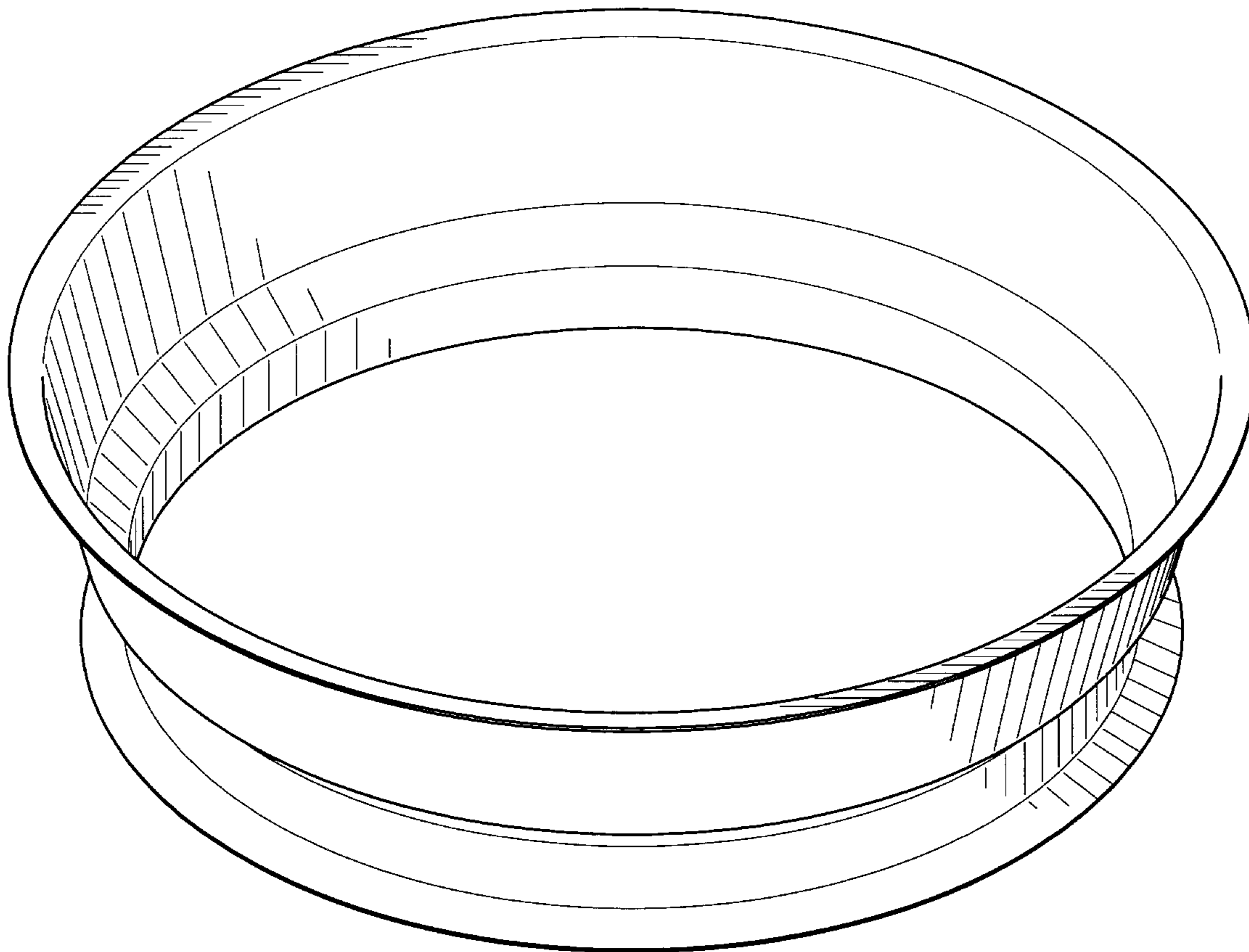
FIG. 6 is a cross sectional view along line 6—6 of FIG. 3.

[56] **References Cited**

**U.S. PATENT DOCUMENTS**

5,391,275 2/1995 Mintz ..... 204/192.32

**1 Claim, 4 Drawing Sheets**



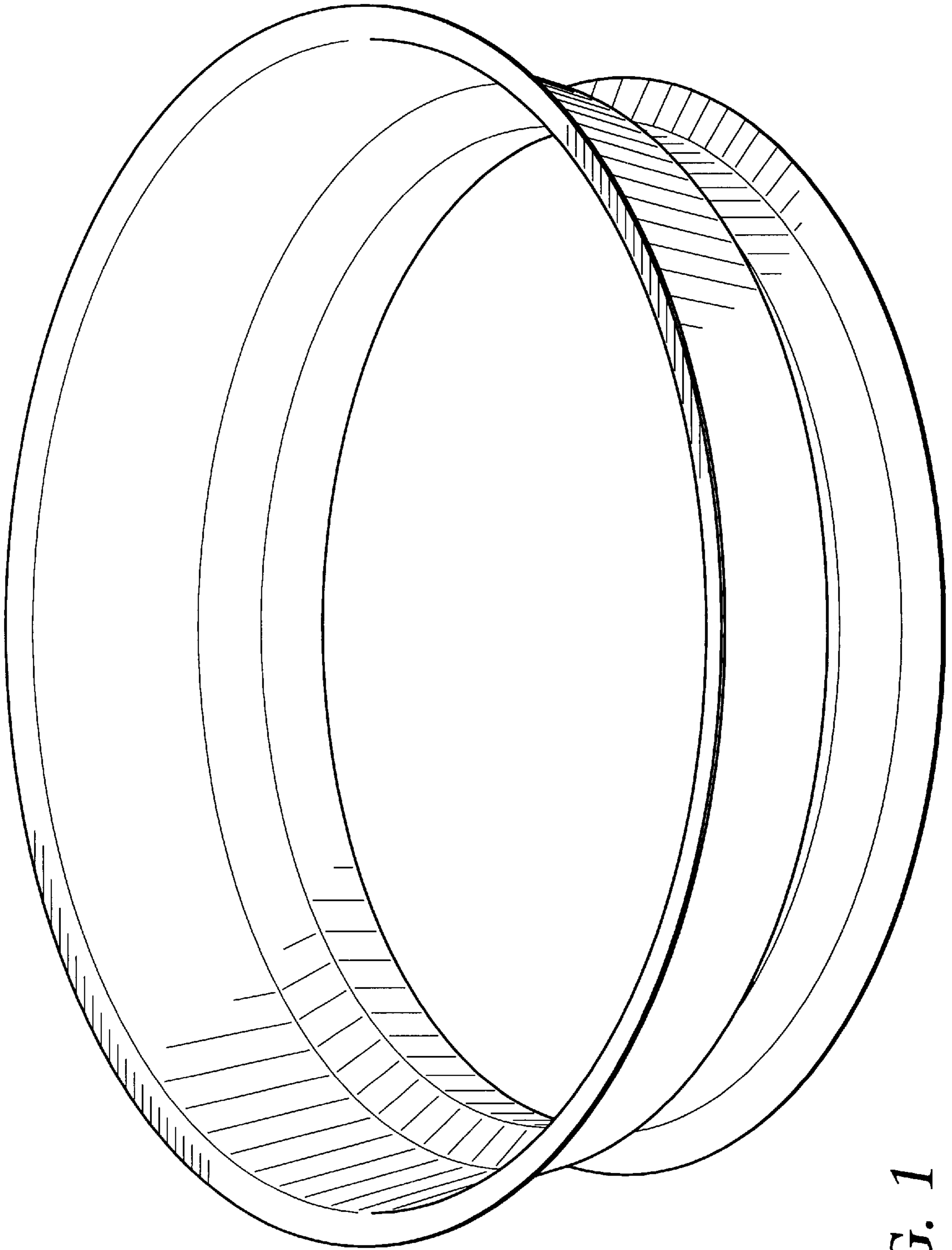


FIG. 1

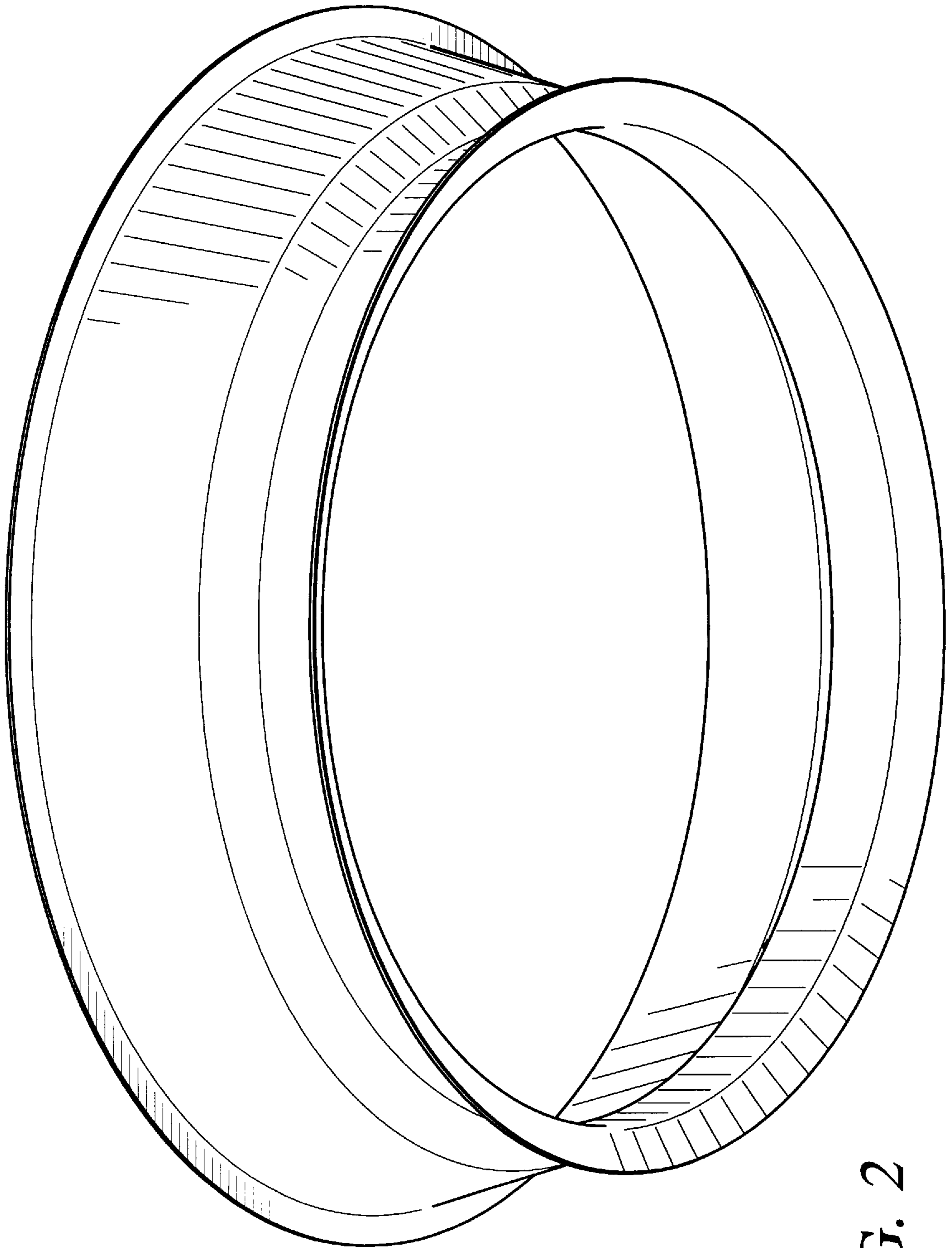


FIG. 2

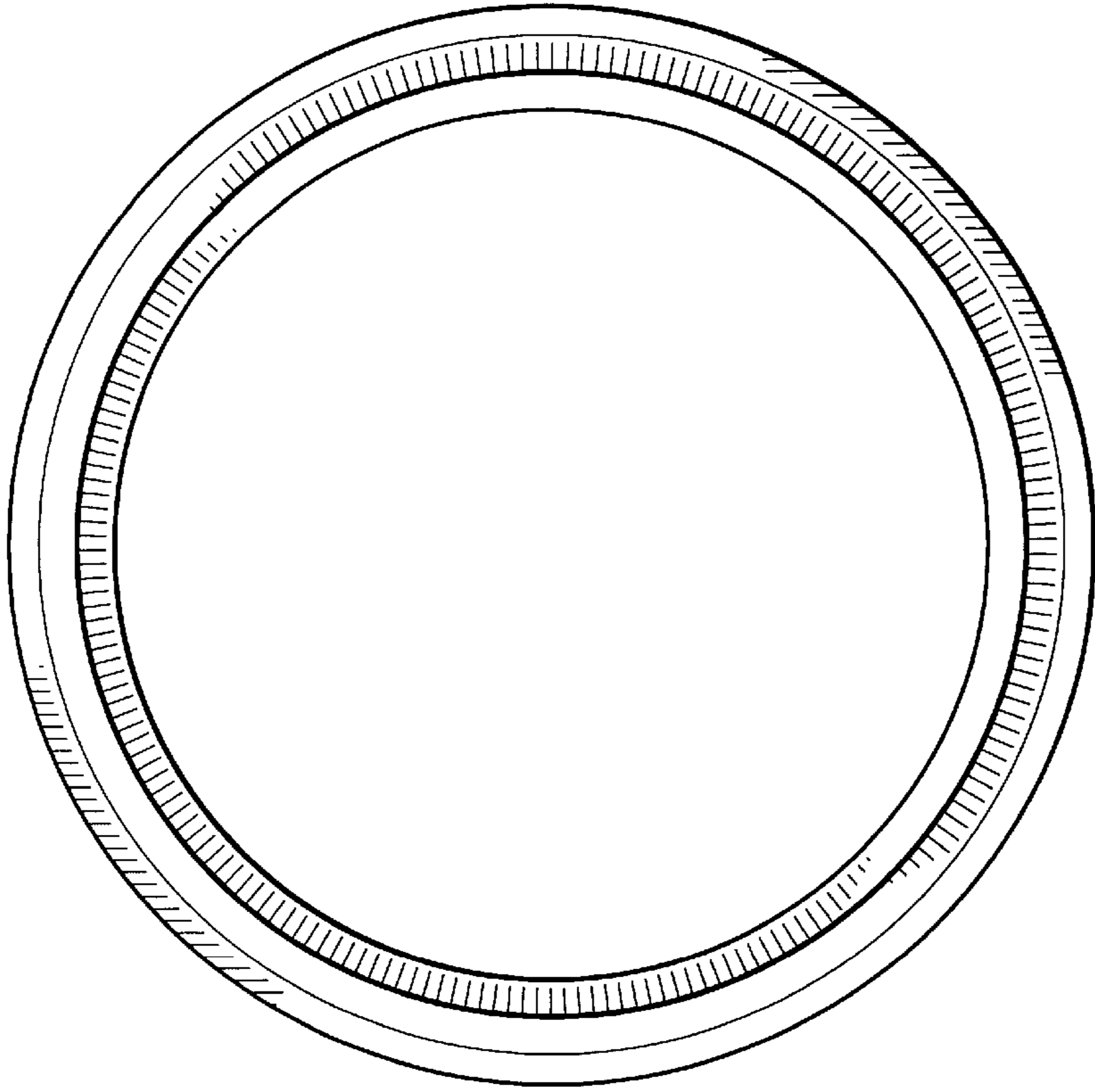


FIG. 4

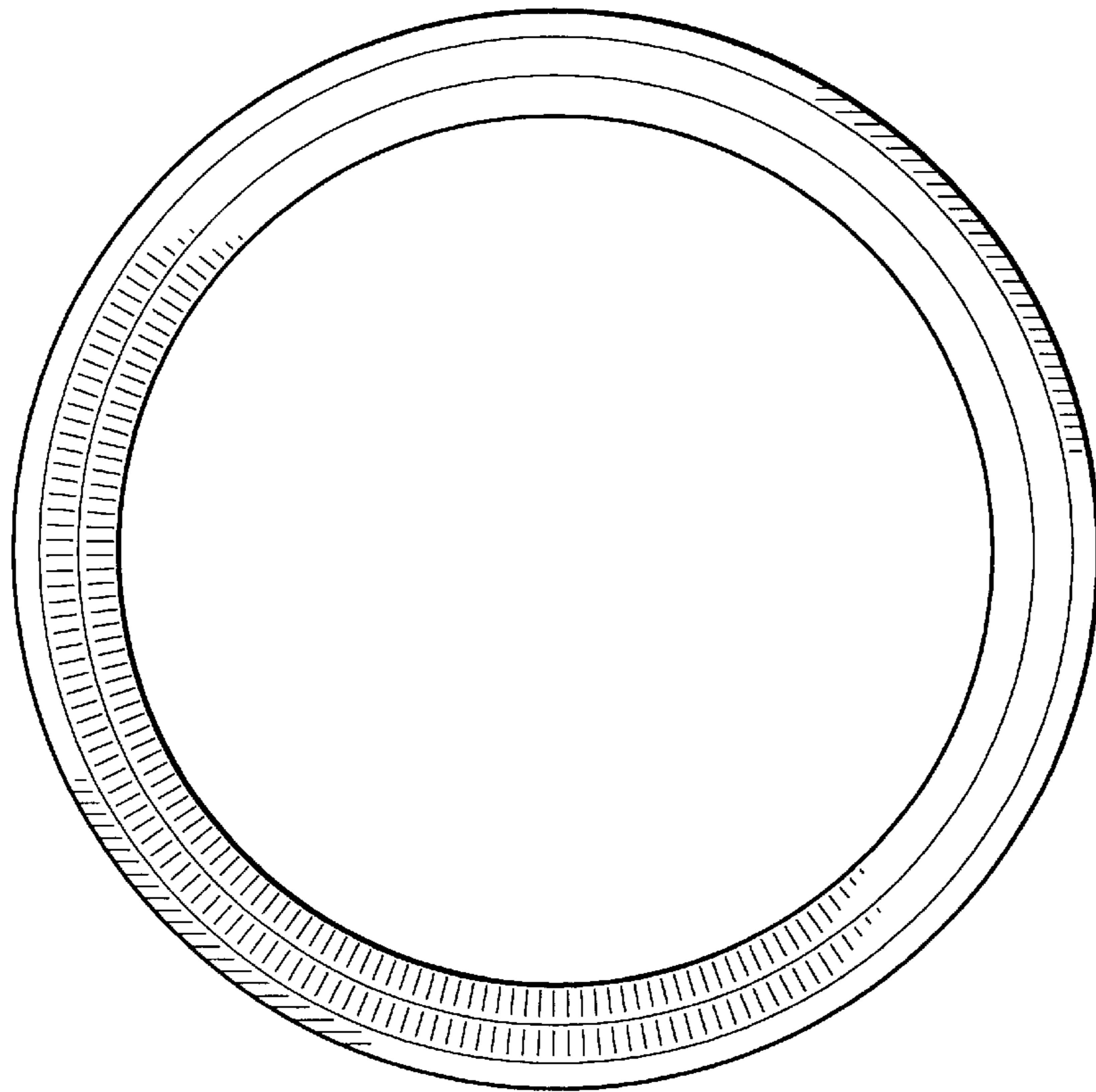
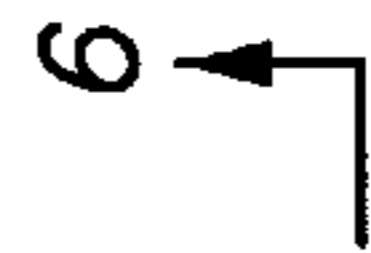
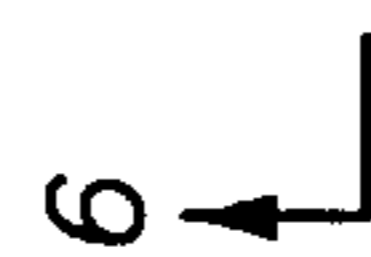


FIG. 3



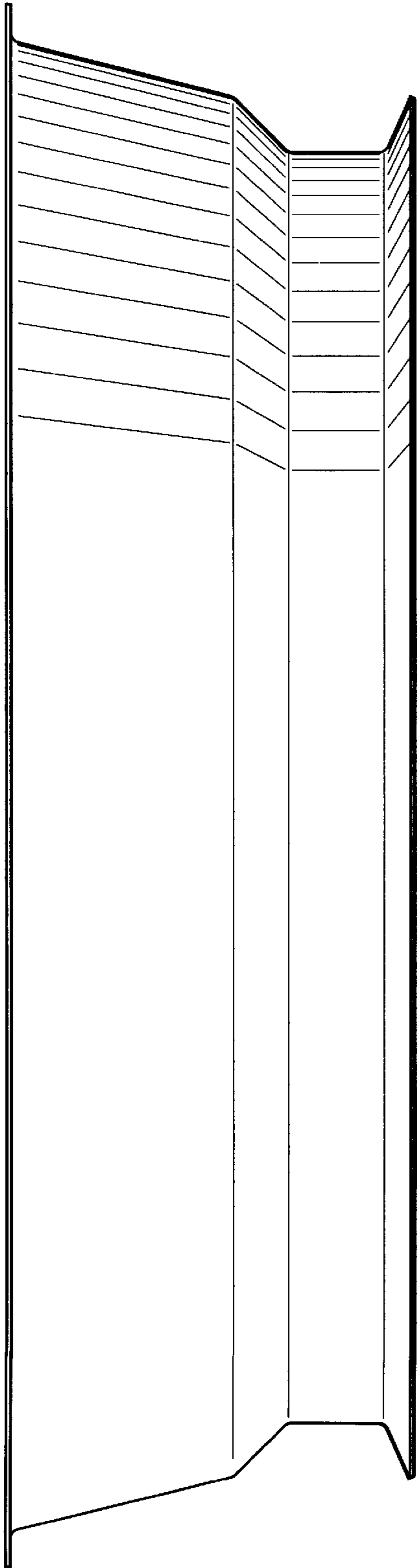


FIG. 5

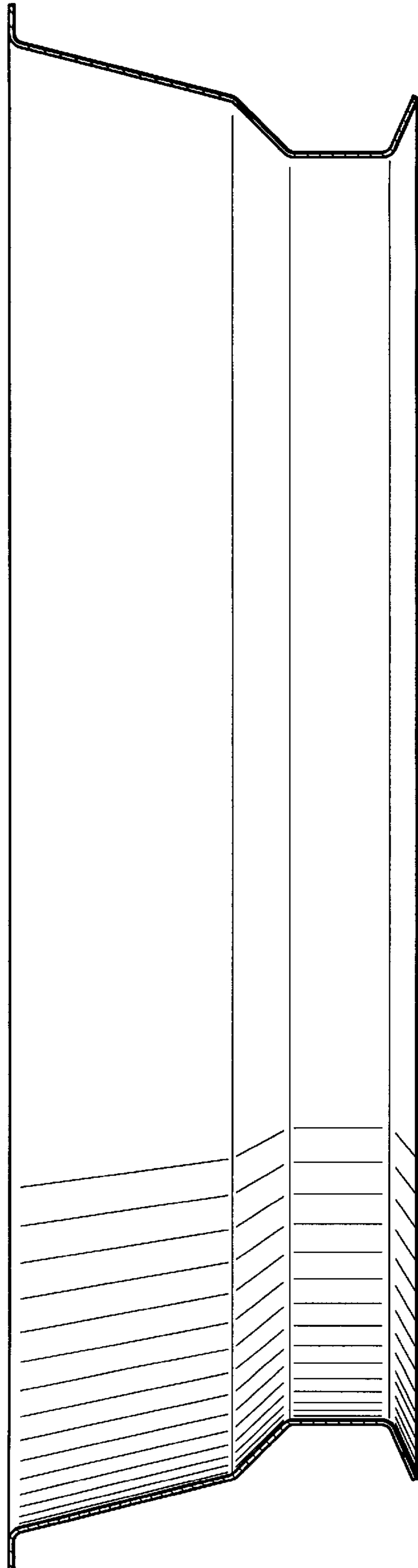


FIG. 6