



US00D403334S

United States Patent [19]

[11] Patent Number: Des. 403,334

Tudhope et al.

[45] Date of Patent: **Dec. 29, 1998

[54] **SHIELD AND COVER FOR TARGET OF SPUTTER COATING APPARATUS**

[75] Inventors: **Andrew William Tudhope**, Danville; **David Bruce Jordan**, San Jose; **Josè Luis Gonzalez**, Redwood City, all of Calif.

[73] Assignee: **Semiconductor Equipment Technology, Inc**, San Jose, Calif.

[**] Term: **14 Years**

[21] Appl. No.: **82,713**

[22] Filed: **Jan. 27, 1998**

[51] **LOC (6) Cl.** **15-09**

[52] **U.S. Cl.** **D15/138**

[58] **Field of Search** D15/138; 204/298.02-298.11

[56] **References Cited**

U.S. PATENT DOCUMENTS

5,690,795 11/1997 Rosenstein et al. 204/298.11 X

Primary Examiner—Antoine Duval Davis

Attorney, Agent, or Firm—Gray Cary Ware & Freidenrich

[57] **CLAIM**

The ornamental design for a shield and cover for target of sputter coating apparatus, as shown and described.

DESCRIPTION

FIG. 1 is a perspective view of a shield and cover for target

of sputter coating apparatus embodying the design of the invention;

FIG. 2 is a top plan view of the shield and cover for target of sputter coating apparatus of FIG. 1;

FIG. 3 is a bottom plan view of the shield and cover for target of sputter coating apparatus of FIG. 1;

FIG. 4 is a side elevation view of the shield and cover for target of sputter coating apparatus as seen from the bottom of FIG. 2;

FIG. 5 is a side elevation view of the shield and cover for target of sputter coating apparatus as seen from the top of FIG. 2;

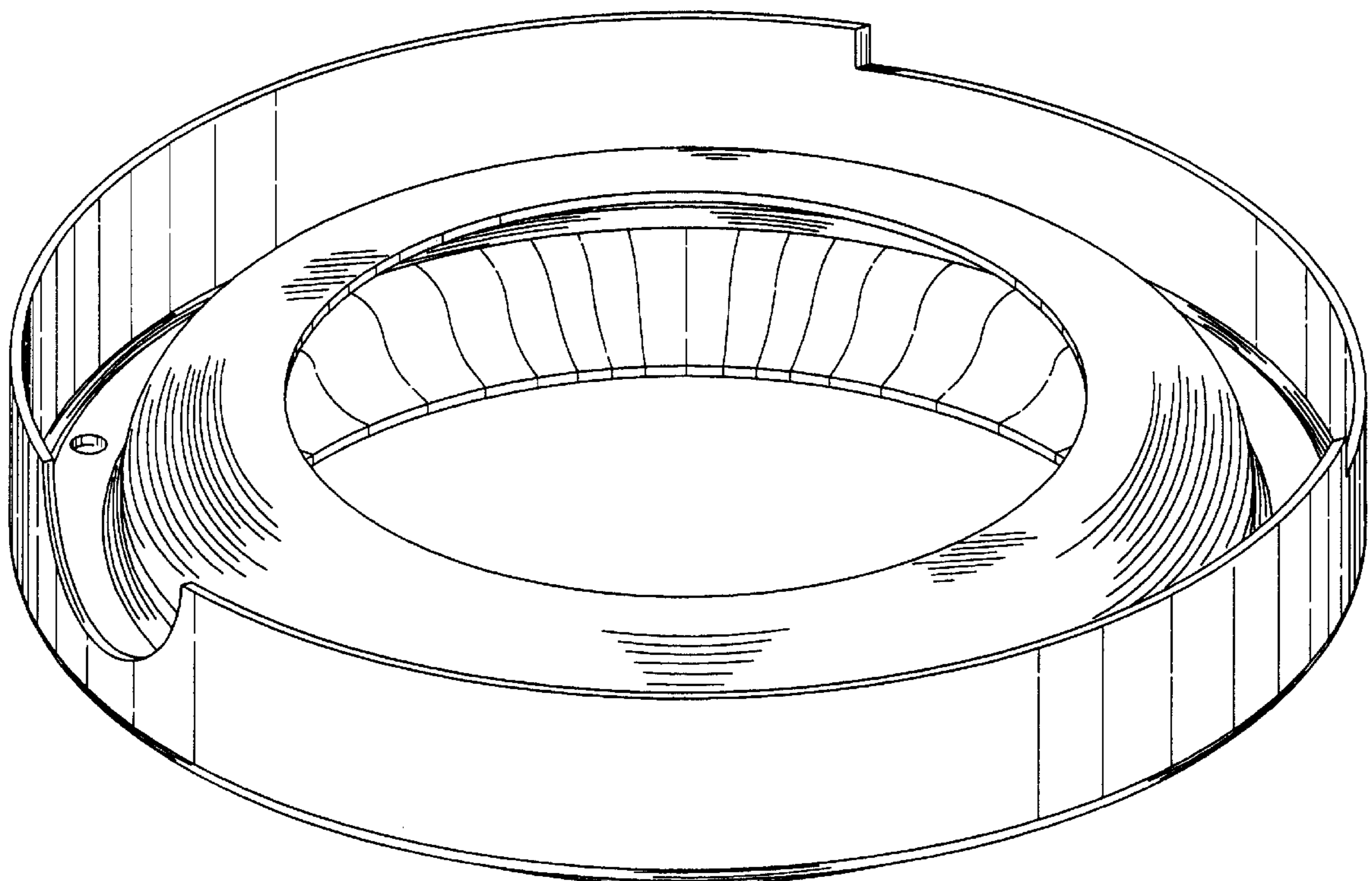
FIG. 6 is a side elevation view of the shield and cover for target of sputter coating apparatus as seen from the left side of FIG. 2;

FIG. 7 is a side elevation view of the shield and cover for target of sputter coating apparatus as seen from the right side of FIG. 2;

FIG. 8 is a cross-sectional view of the shield and cover for target of sputter coating apparatus taken along the line 8—8 of FIG. 2; and,

FIG. 9 is a cross-sectional view of the shield and cover for target of sputter coating apparatus taken along the line 9—9 of FIG. 2.

1 Claim, 4 Drawing Sheets



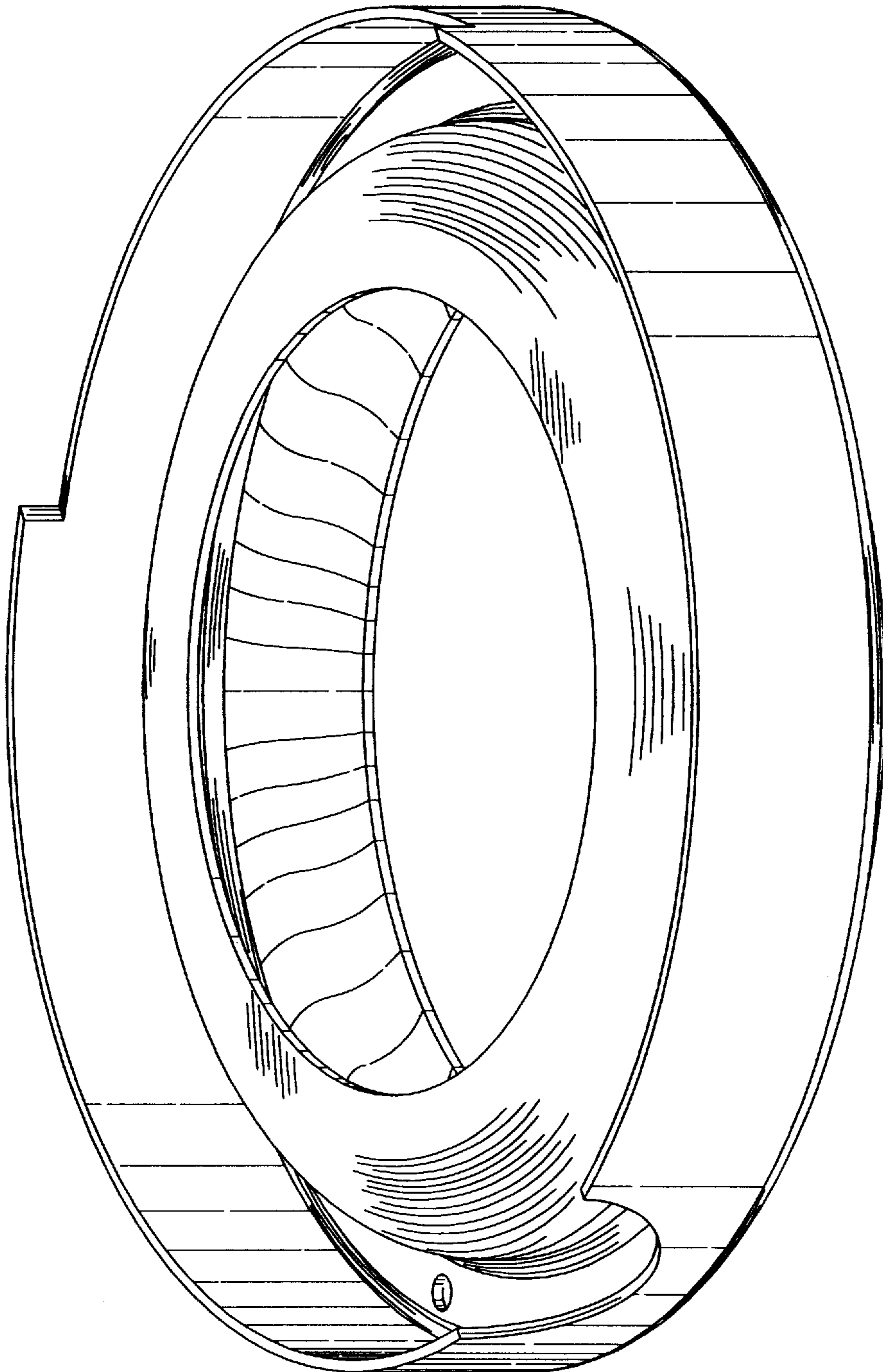


FIG. 1

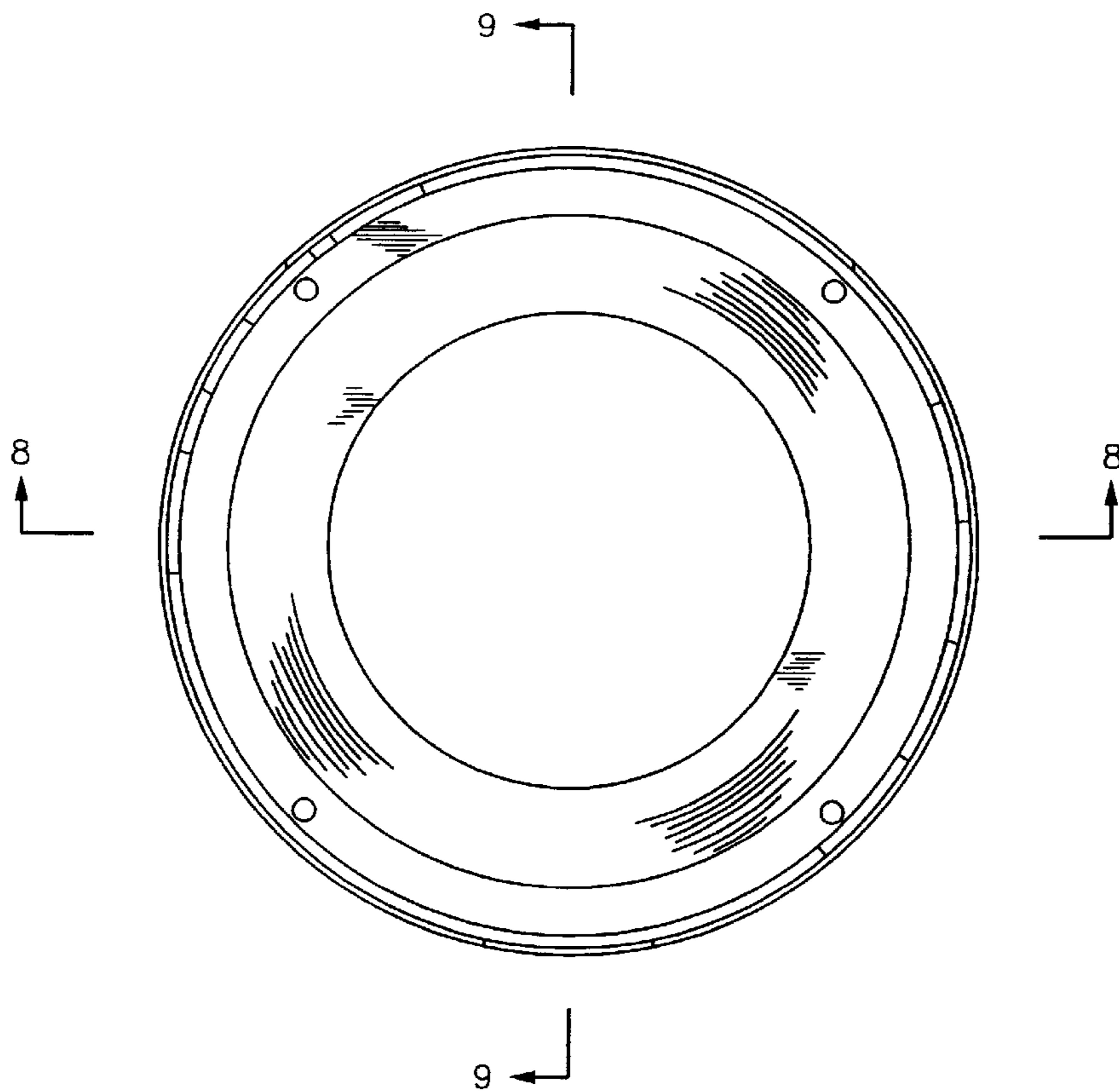


FIG. 2

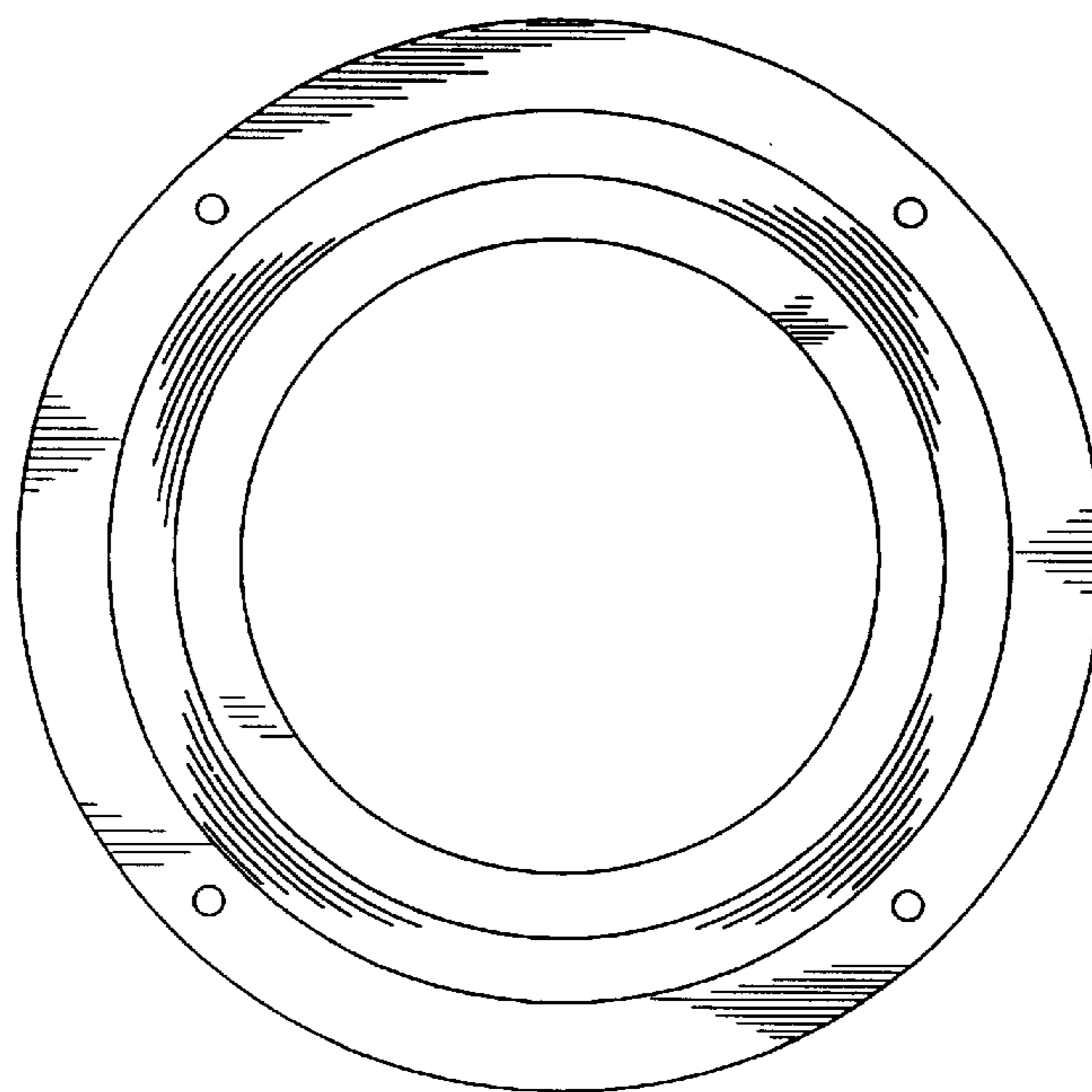


FIG. 3

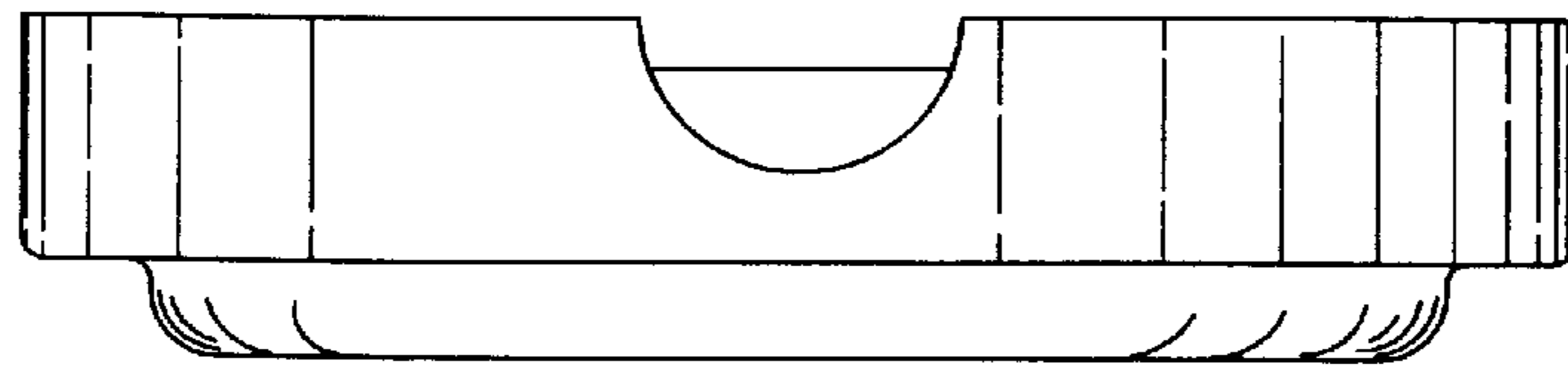


FIG. 4

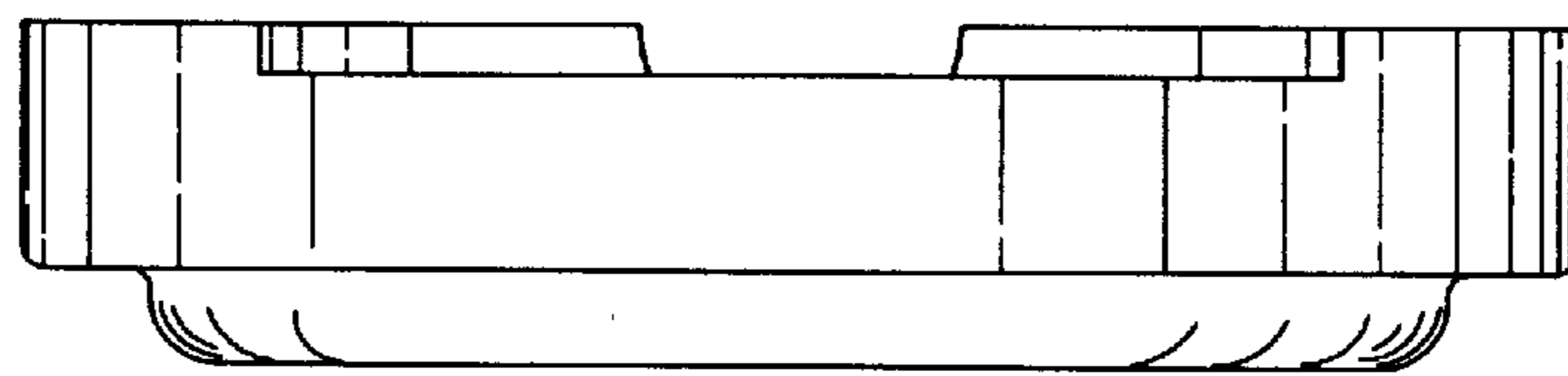


FIG. 5

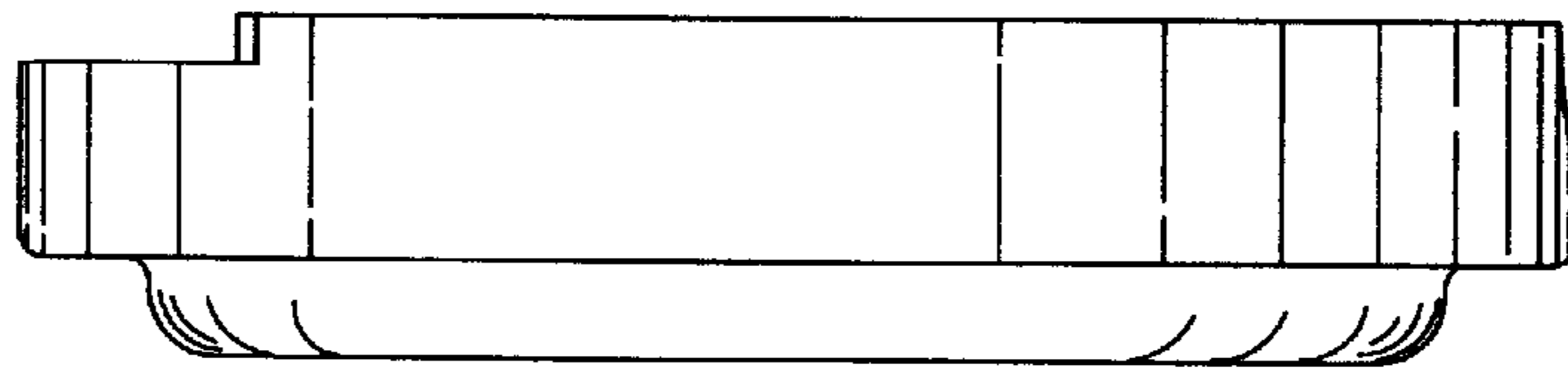


FIG. 6

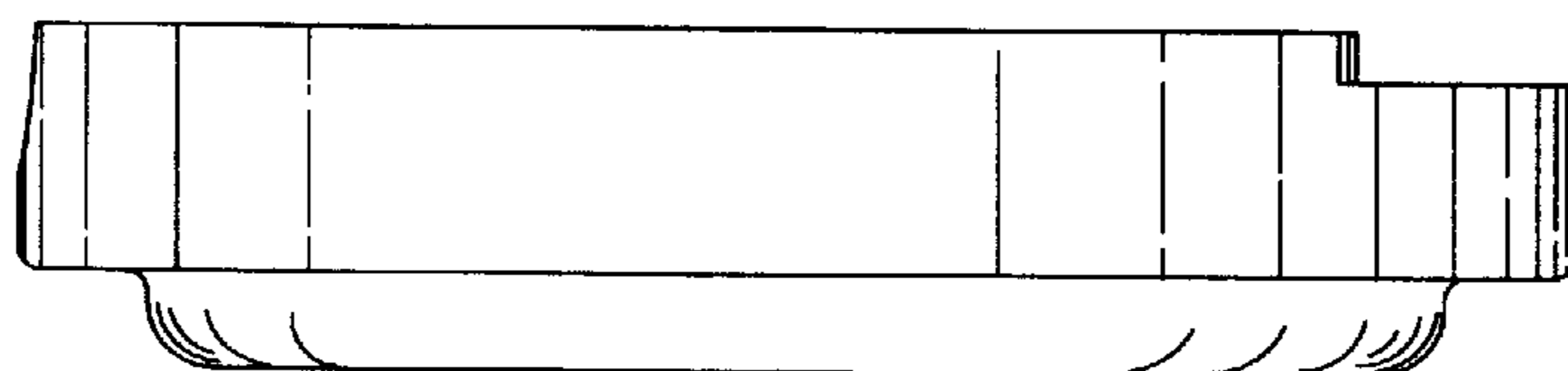


FIG. 7

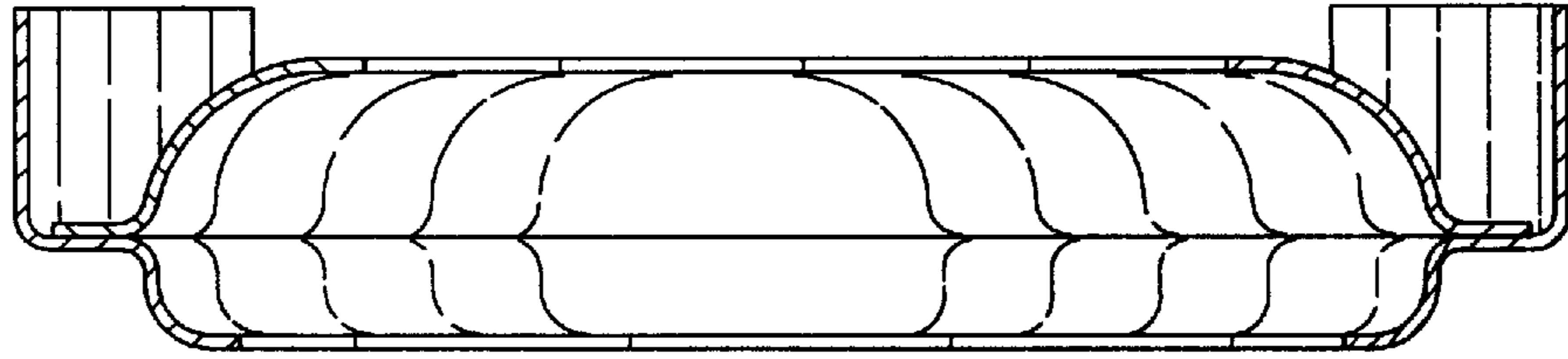


FIG. 8

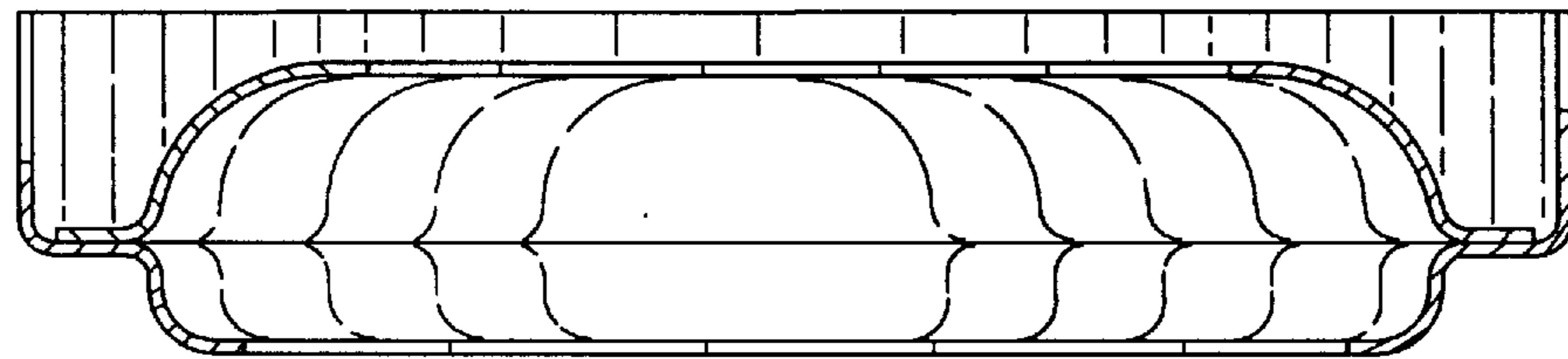


FIG. 9